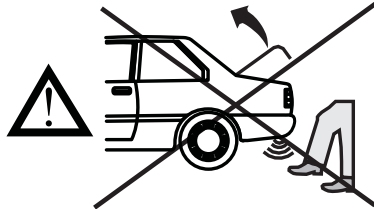




AUTO-HAK

**TOYOTA RAV-4
 SUV, + Hybrid**



Cat. no:
091



01.2016 → 10.2018



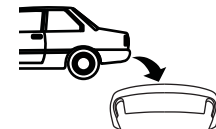
E20-55R-01 4682



2h



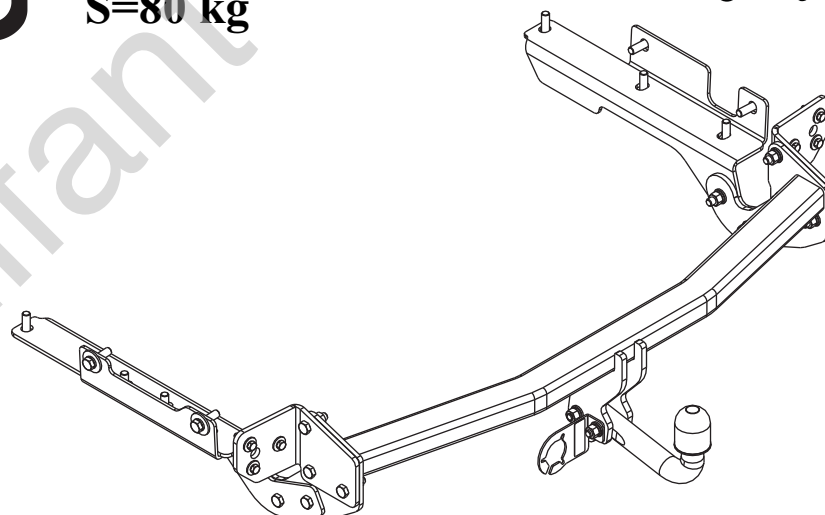
10,9 kN



R=2000 kg



S=80 kg



- M6** - 11 Nm
- M10** - 50 Nm
- M14** - 138 Nm

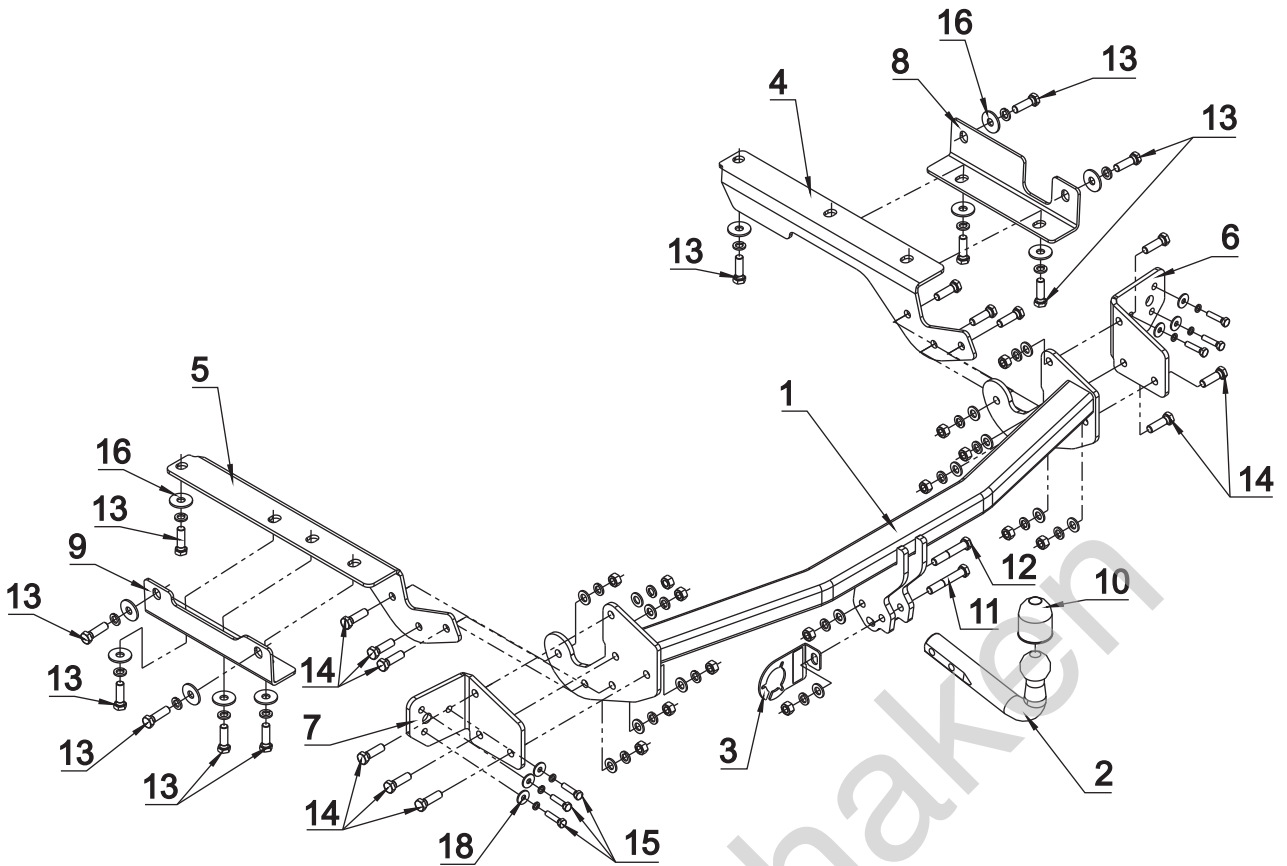
- M8** - 25 Nm
- M12** - 87 Nm
- M16** - 210 Nm



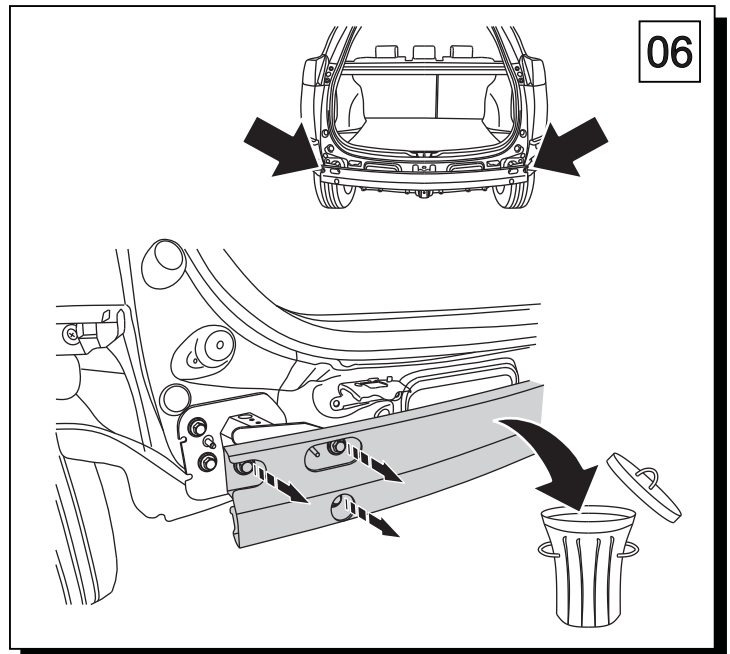
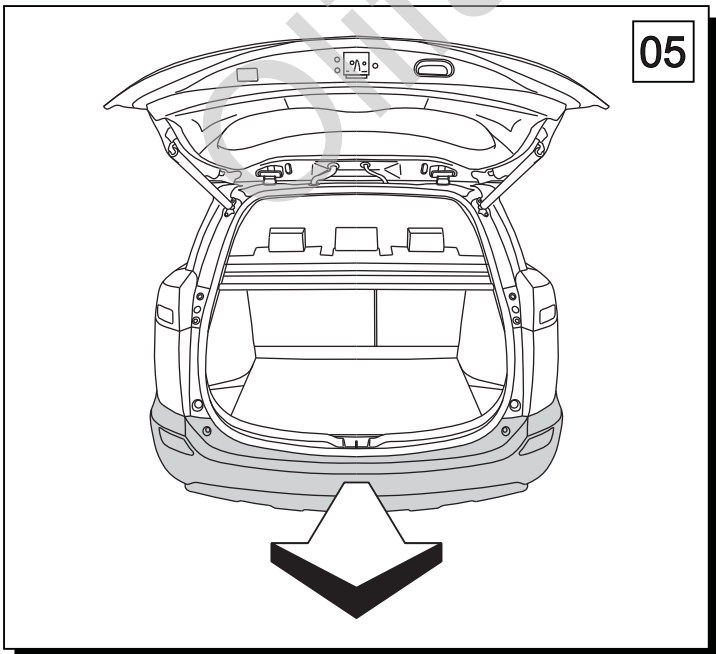
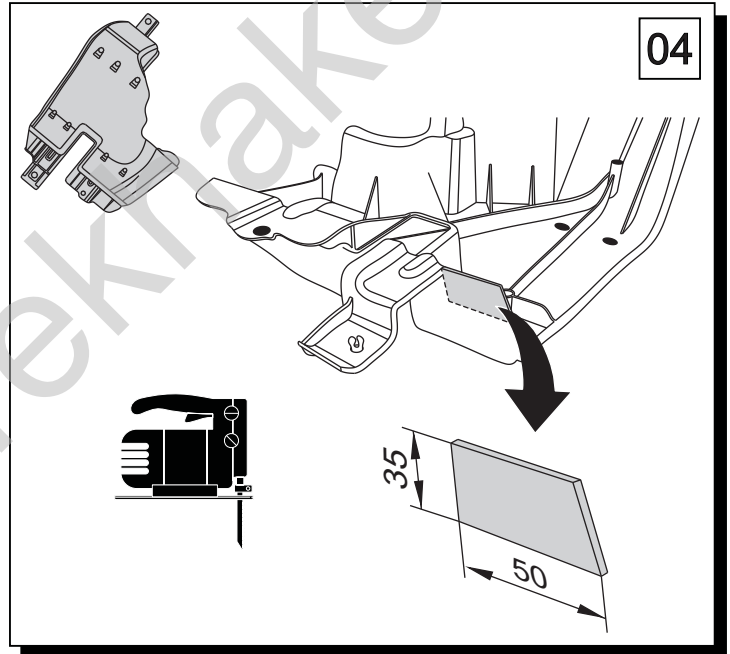
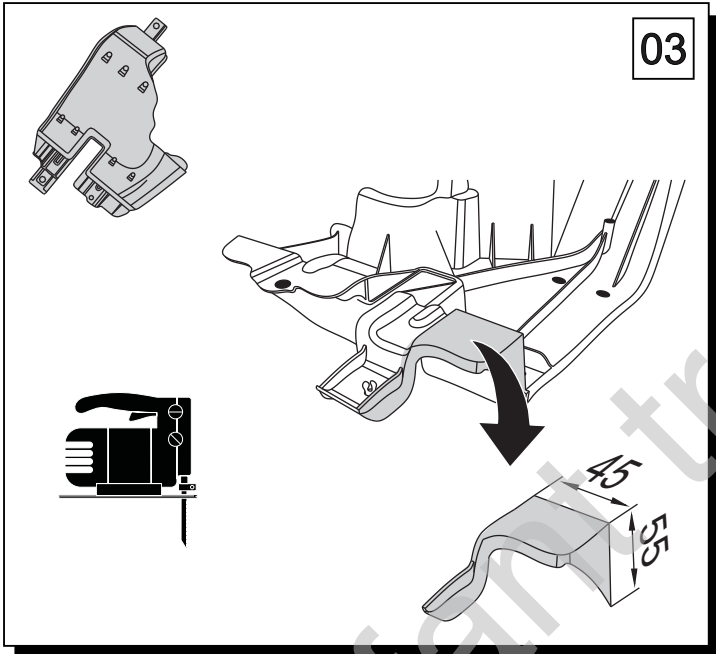
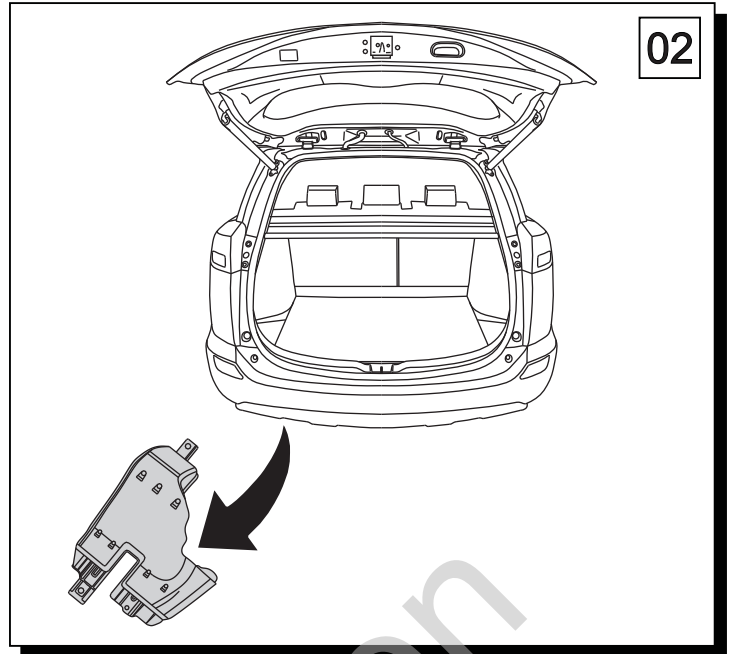
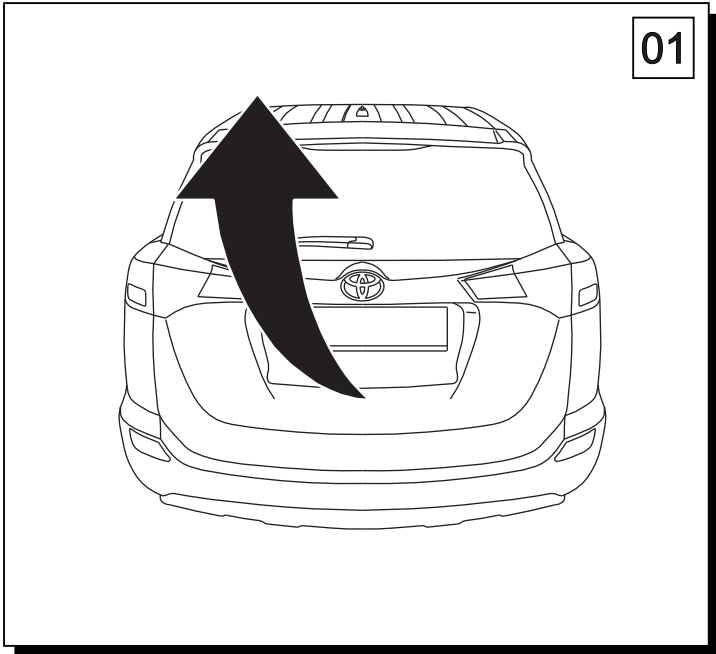
0 km →

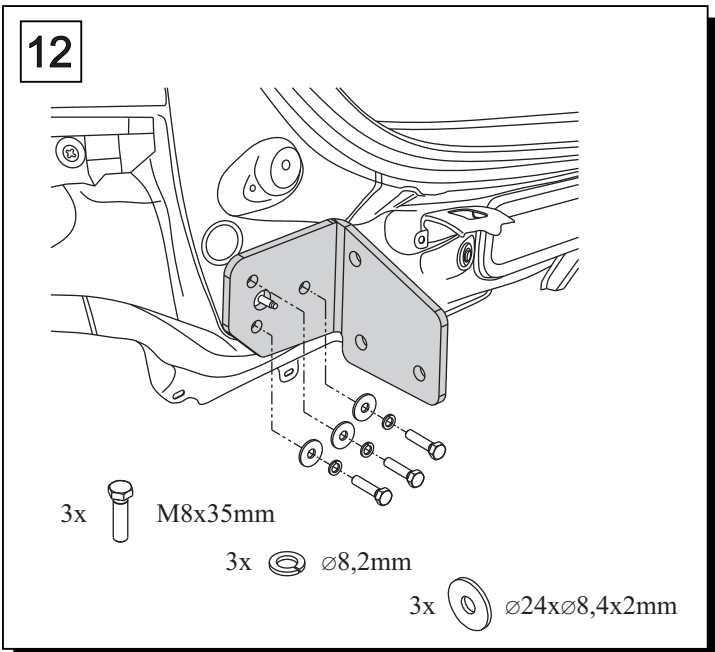
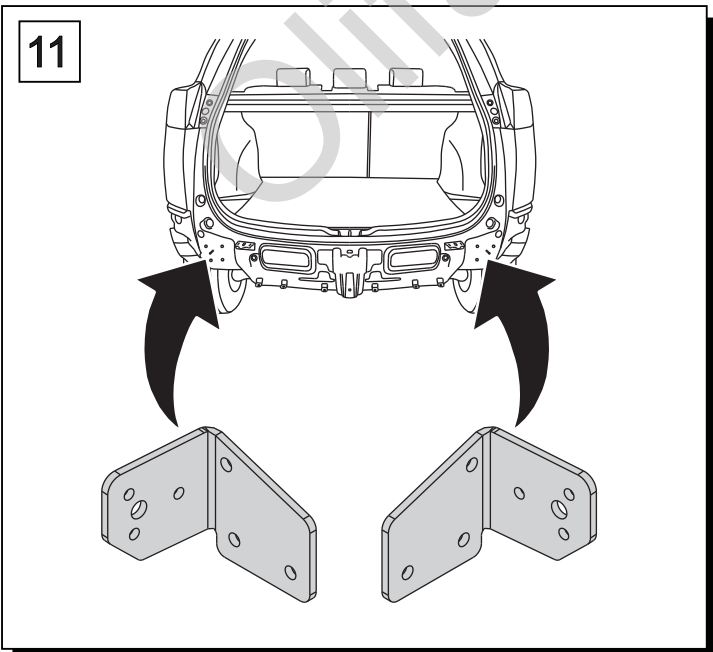
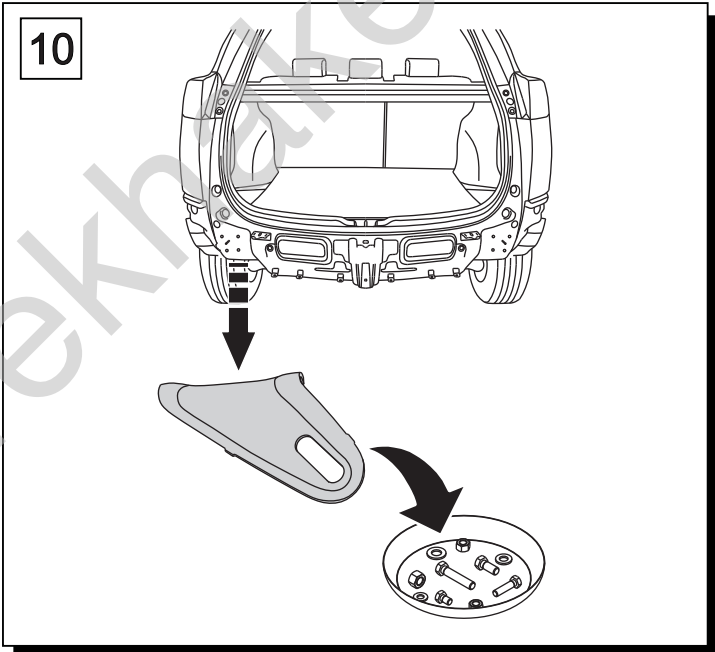
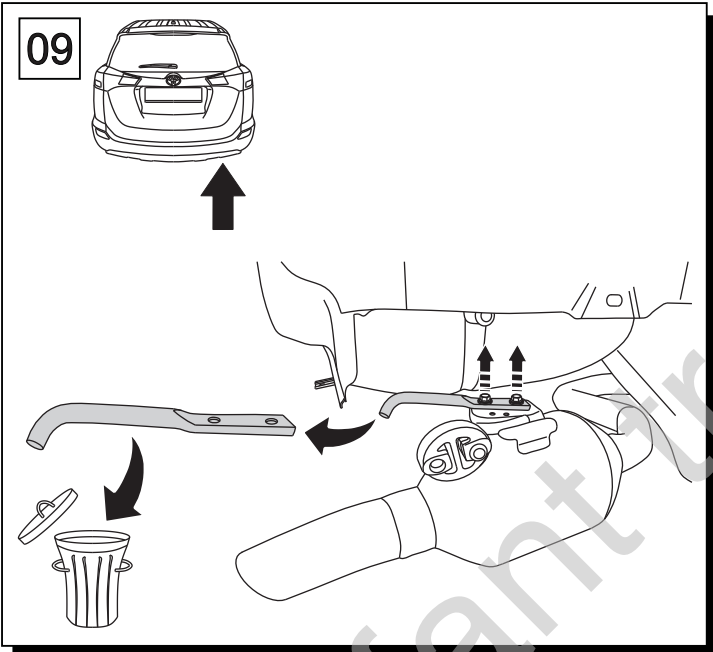
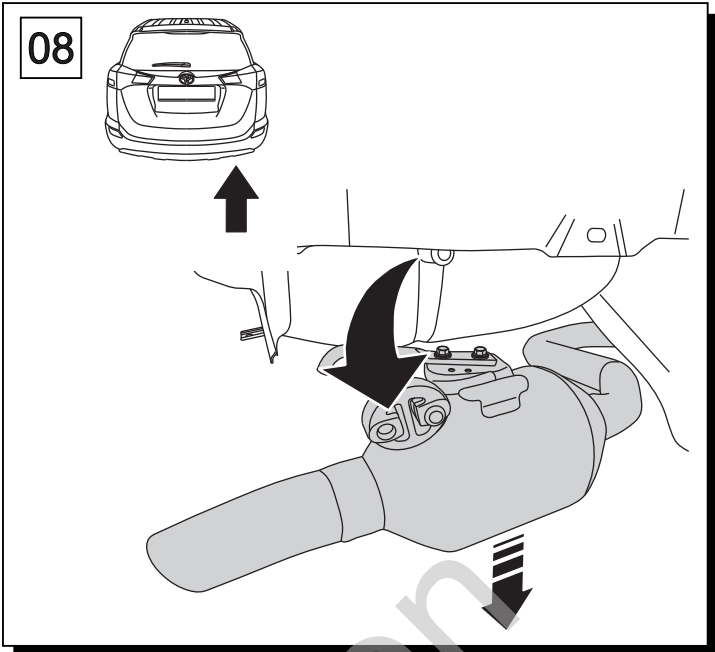
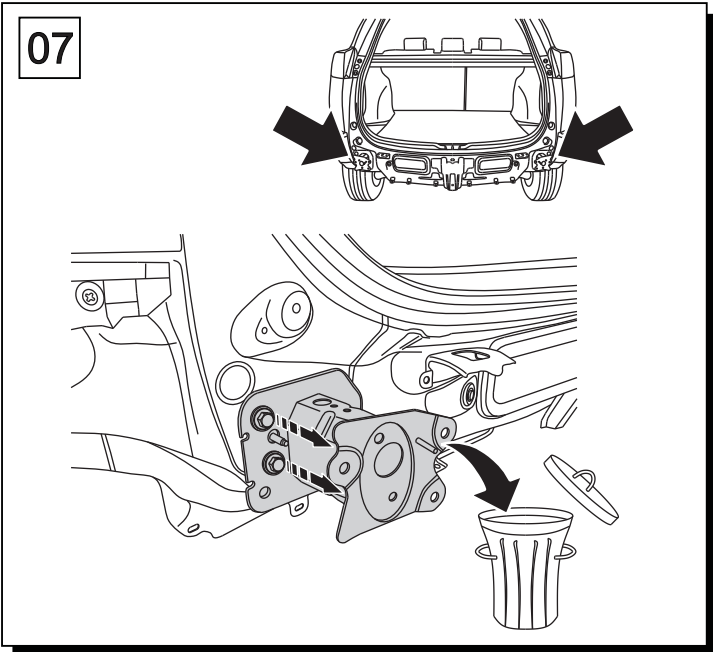


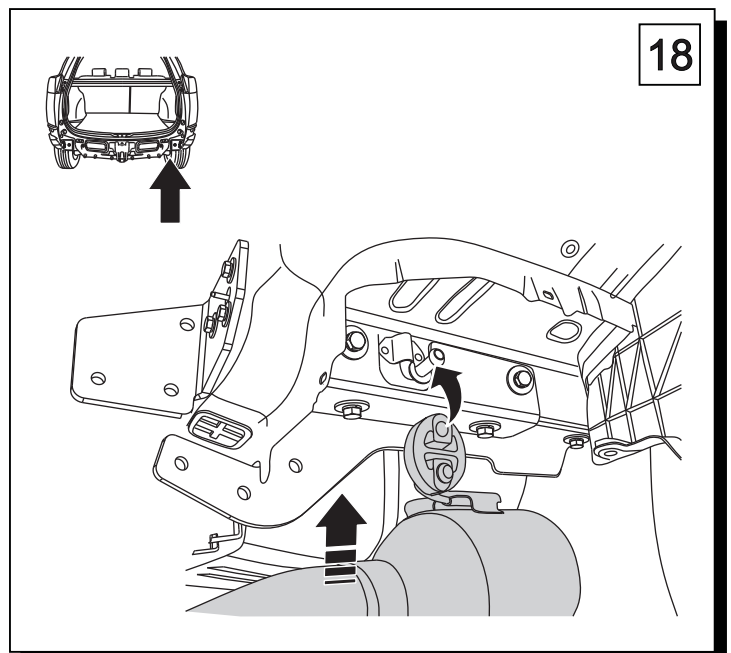
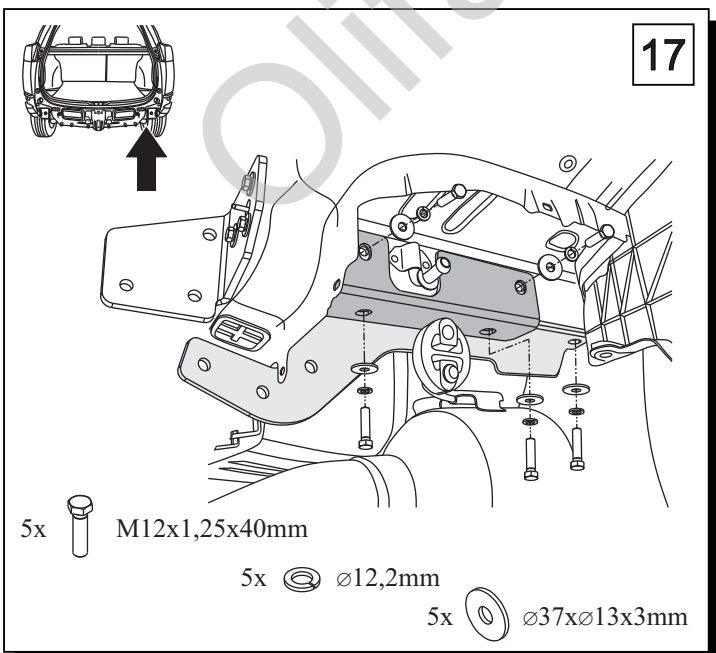
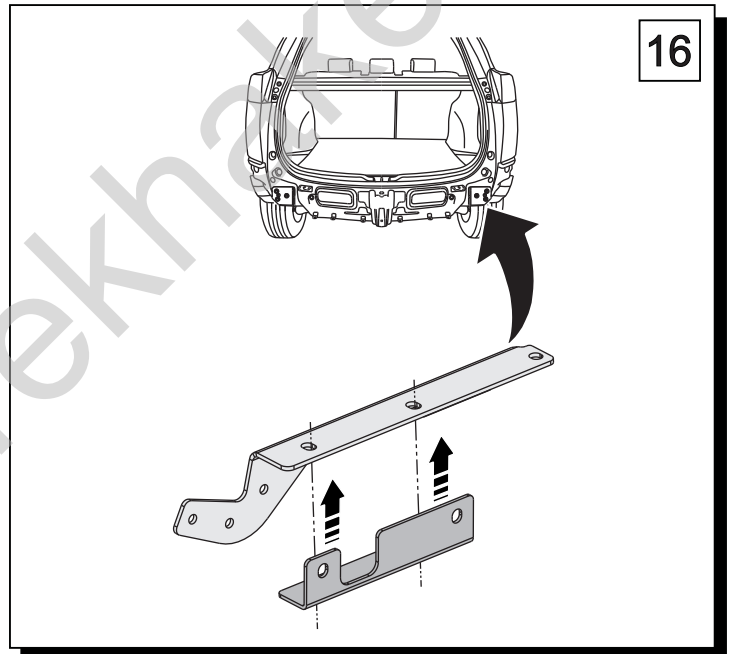
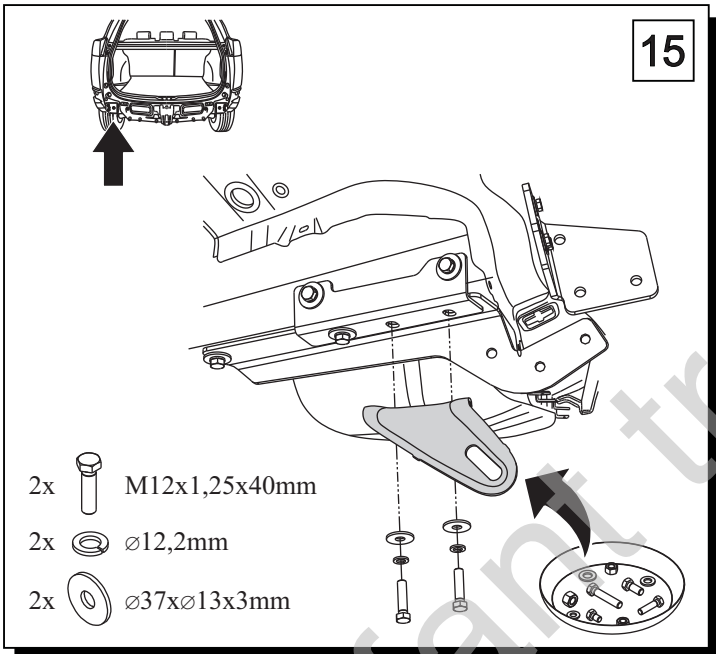
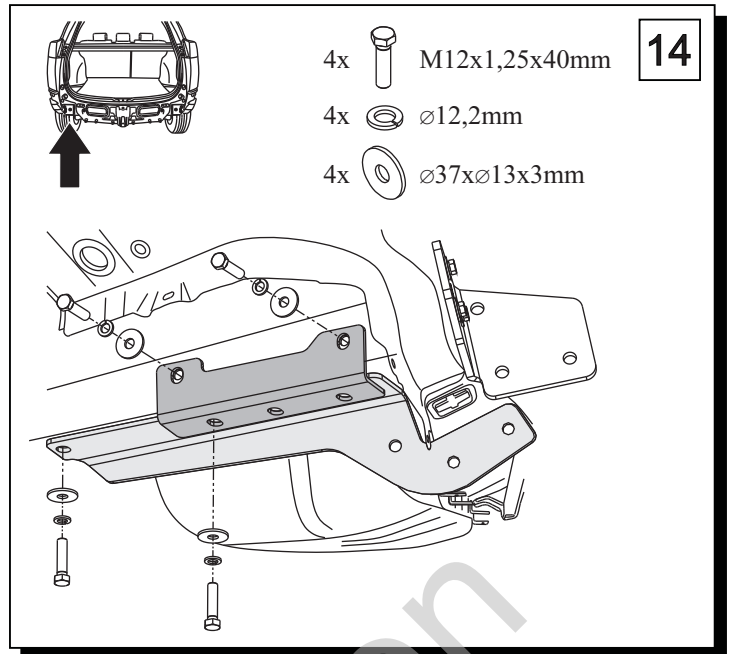
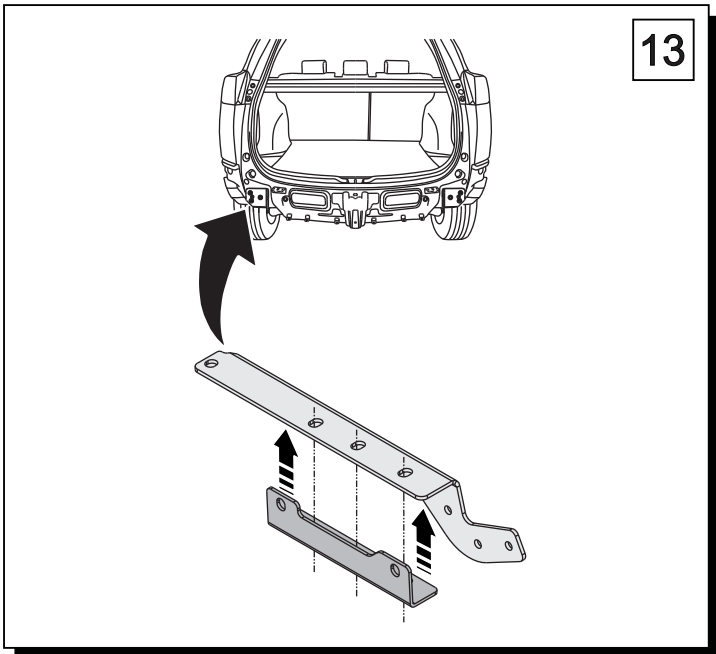
1000 km



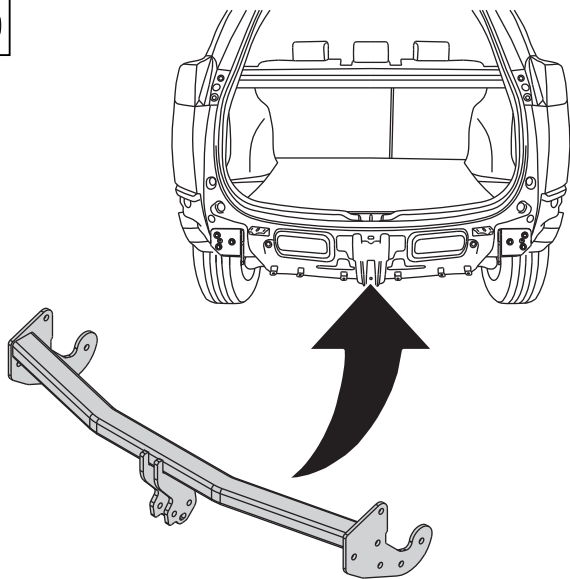
1		x1		11 M12x75	x1
				12 M12x70	x1
				13 M12x1.25x40	x11
				14 M12x40	x12
				15 M8x35	x6
2		x1 Art.nr-KL1091		16 \varnothing 37x \varnothing 13x3 13 DIN 9021	x11
3		x1 Art.nr-BL1091		17 \varnothing 13	x14
4		x1		18 \varnothing 24x \varnothing 8.4x2 8 DIN 9021	x6
5		x1		19 \varnothing 12.2	x25
				20 \varnothing 8.2	x6
				21 M12	x14
6		x1			
7		x1			
8		x1			
9		x1			
10		x1			



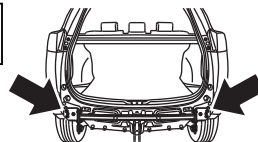




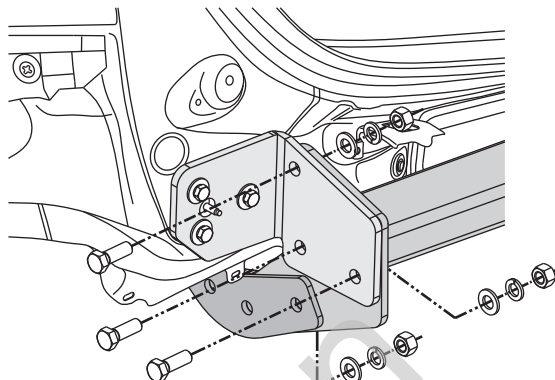
19



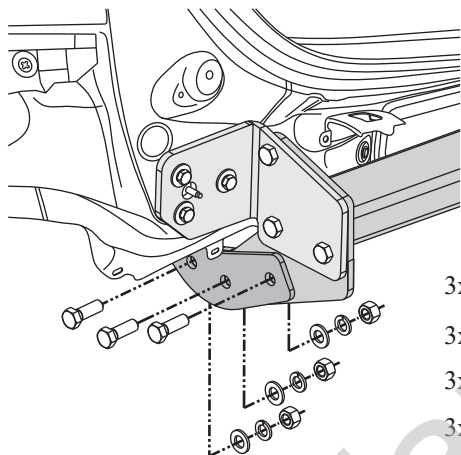
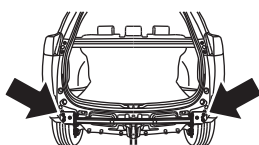
20



- 3x M12x40mm
- 3x $\varnothing 12,2\text{mm}$
- 3x $\varnothing 13\text{mm}$
- 3x M12

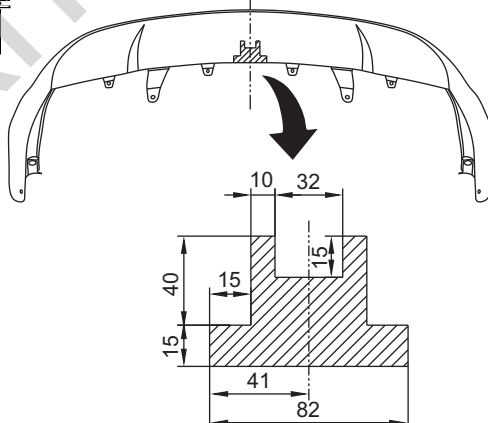
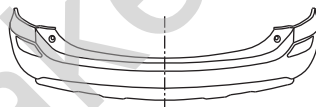


21

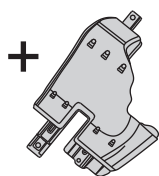
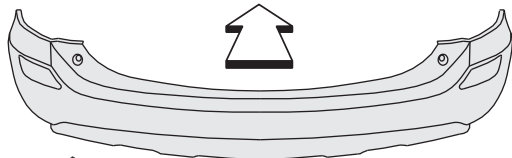
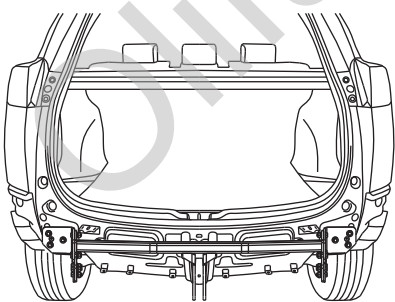


- 3x M12x40mm
- 3x $\varnothing 12,2\text{mm}$
- 3x $\varnothing 13\text{mm}$
- 3x M12

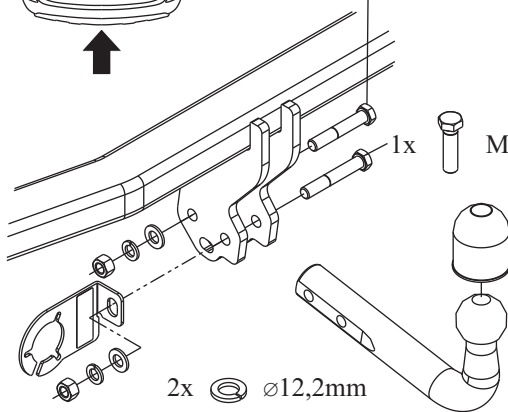
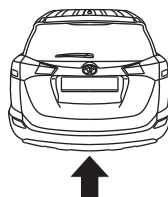
22



23



24



- 1x M12x70mm
- 1x M12x75mm
- 2x $\varnothing 12,2\text{mm}$
- 2x $\varnothing 13\text{mm}$
- 2x M12