

PPUH AUTO-HAK Sp.J.

Henryk i Zbigniew Nejman
ul. Słoneczna 16K 76-200 SŁUPSK
POLAND

tel/fax +48 59 8 414 414; +48 59 8 414 413

e-mail: office@autohak.com.pl

www.autohak.com.pl



AUTO-HAK



LEXUS RX (MCU)

300, 350, 400h

(MCU), ~~air suspension~~

Cat. no:

O90A



05.2003 → 12.2008



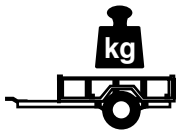
E20-55R-01 4498



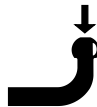
2h



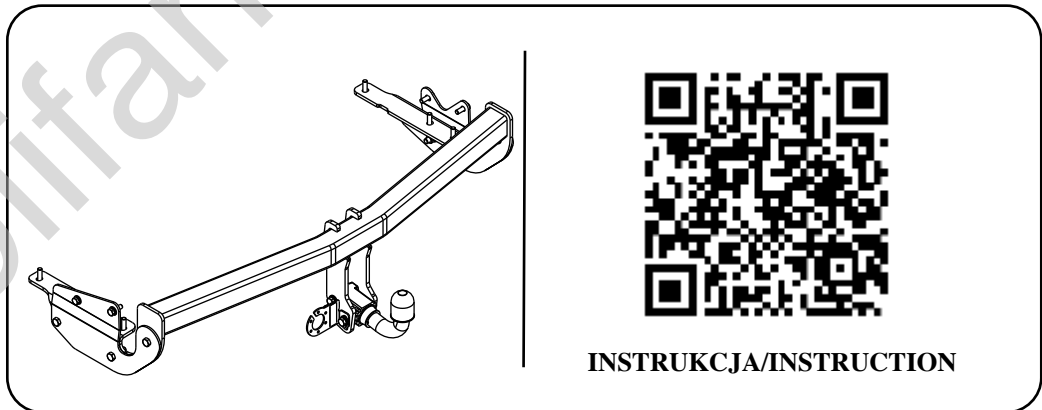
11,8 kN



R=2000 kg



S=90 kg



INSTRUKCJA/INSTRUCTION



M6 - 11 Nm
M10 - 50 Nm
M14 - 138 Nm

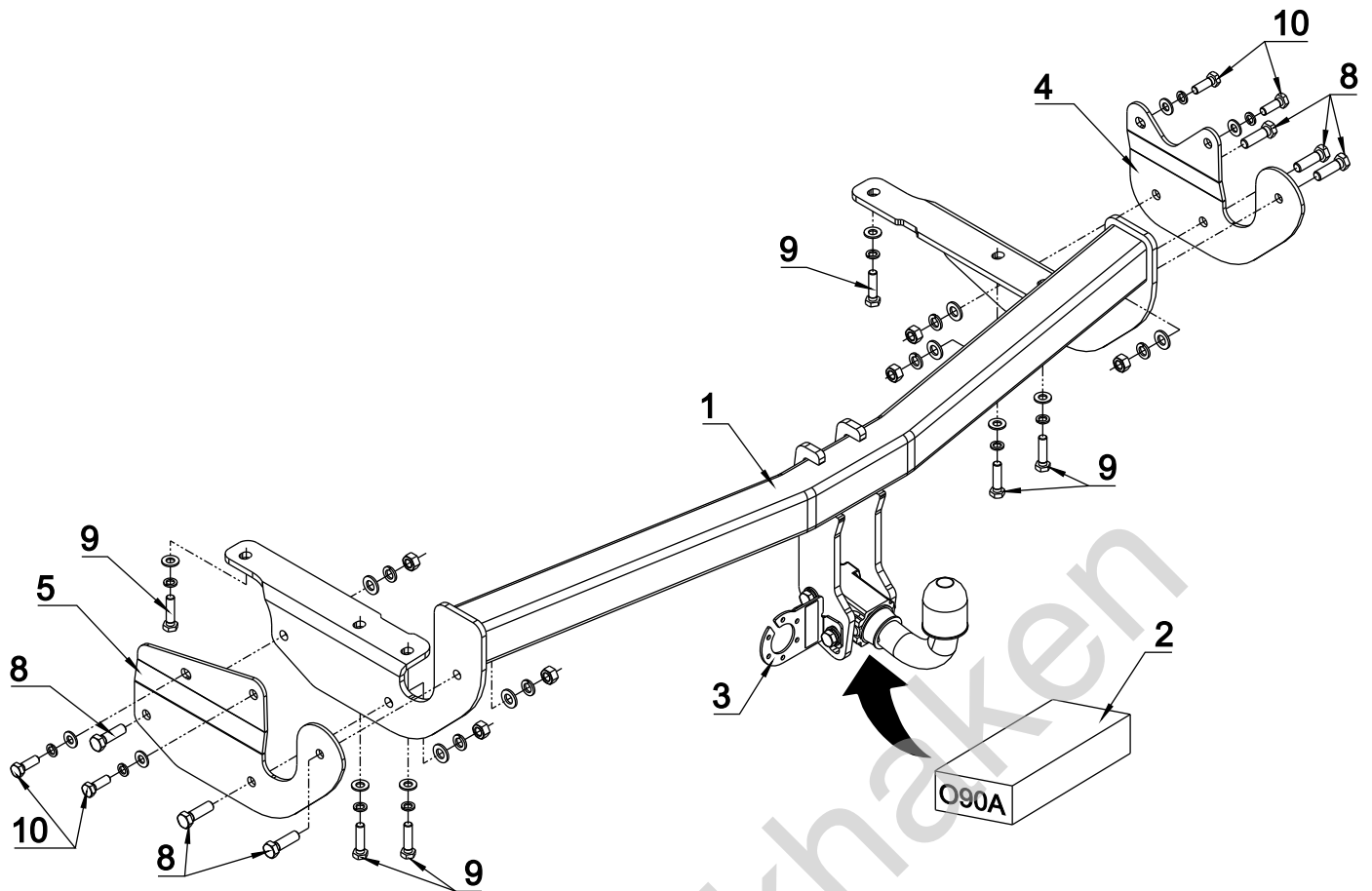
M8 - 25 Nm
M12 - 87 Nm
M16 - 210 Nm

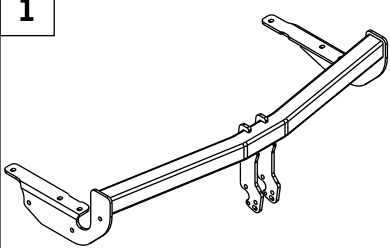








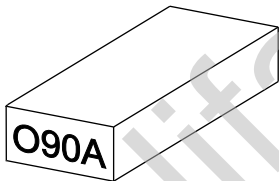


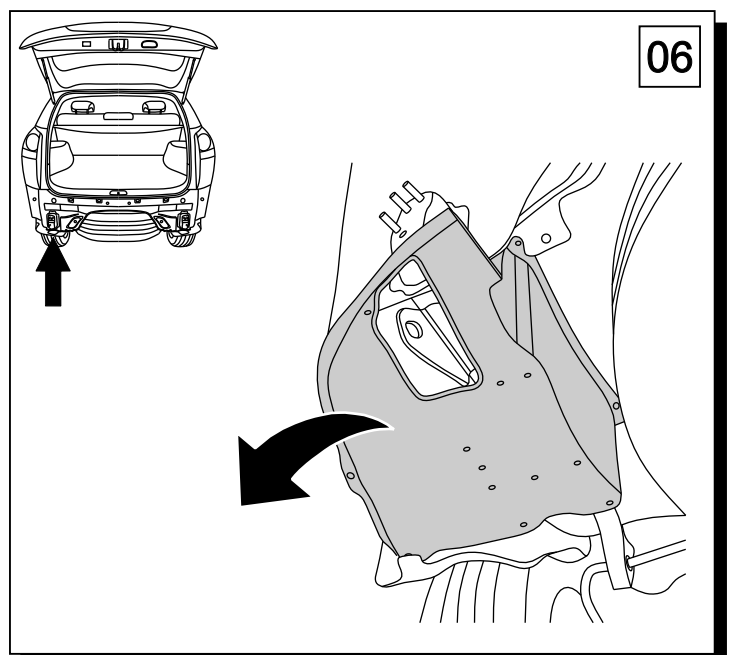
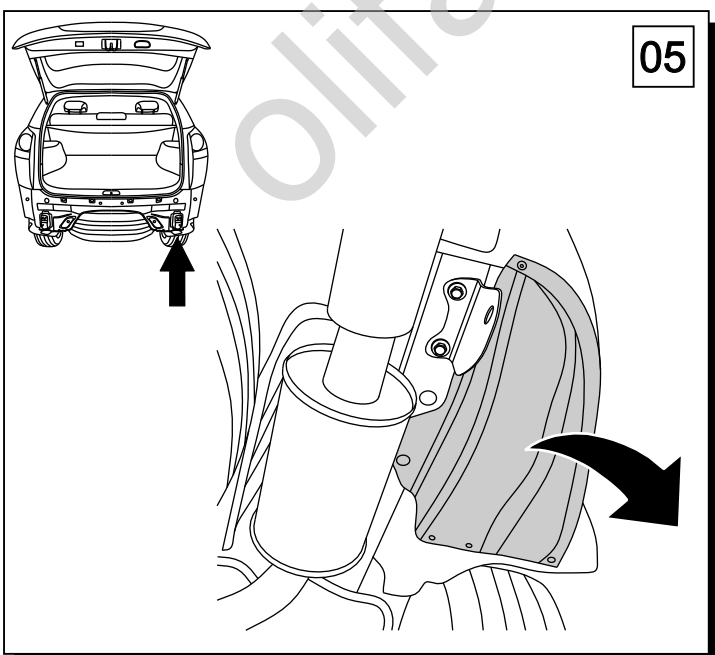
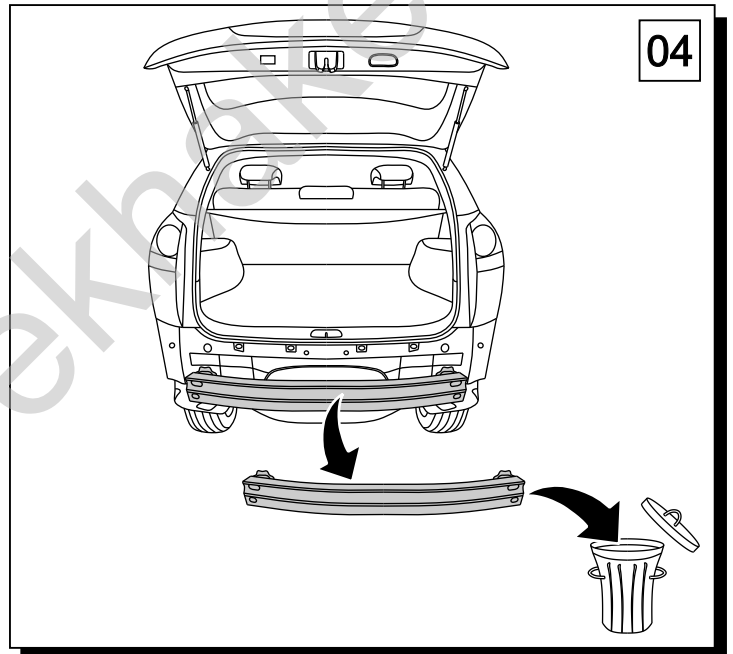
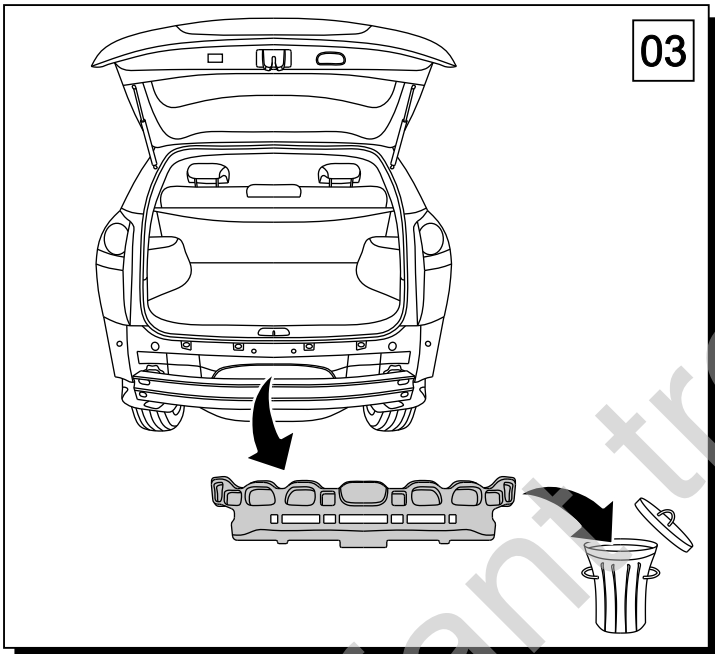
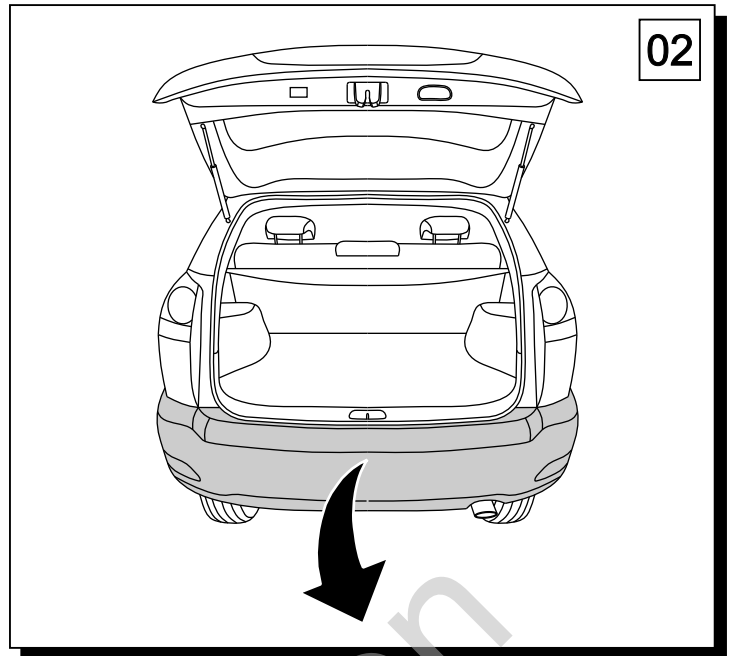
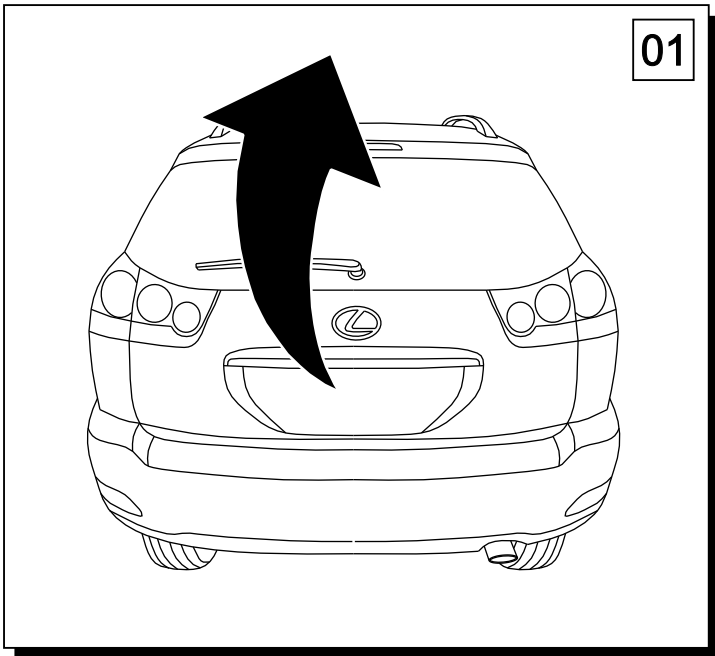
0 km →

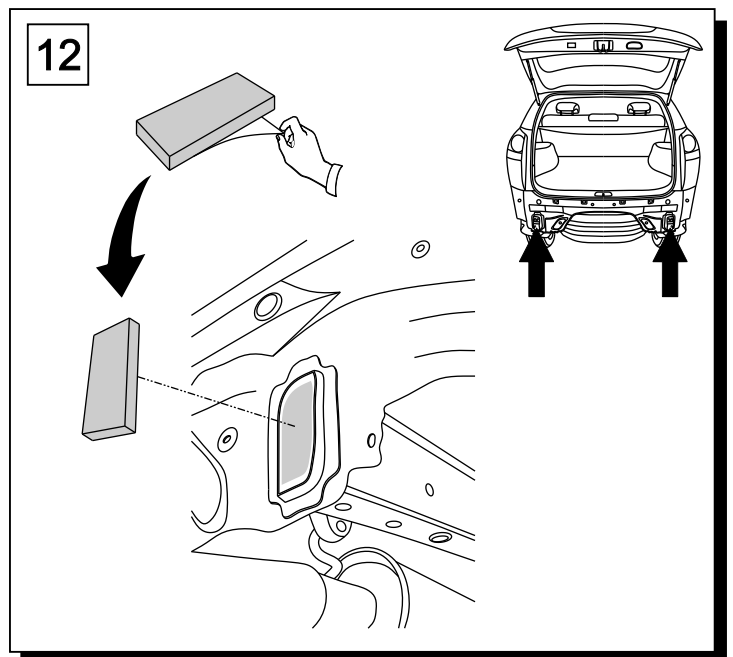
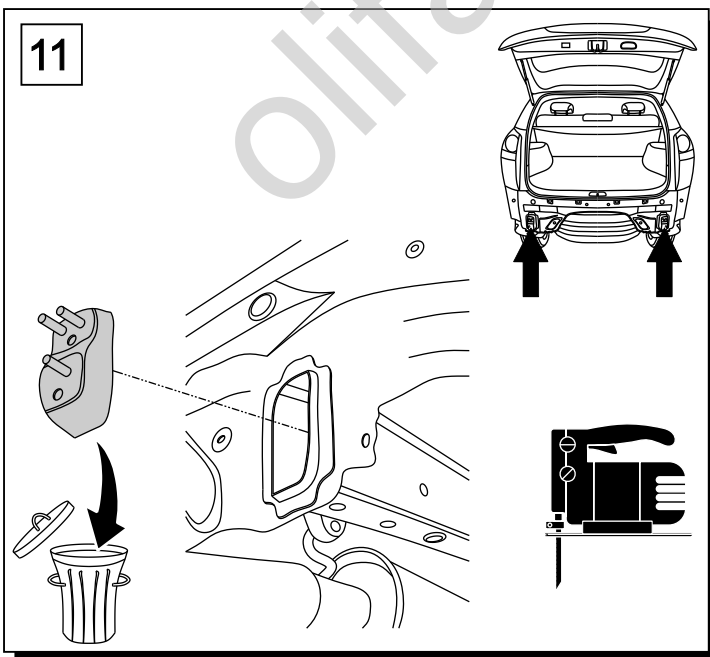
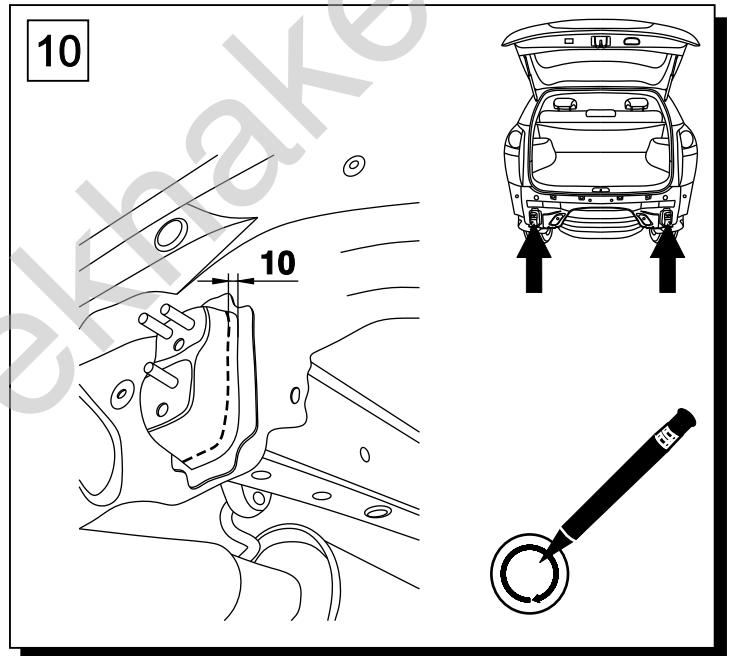
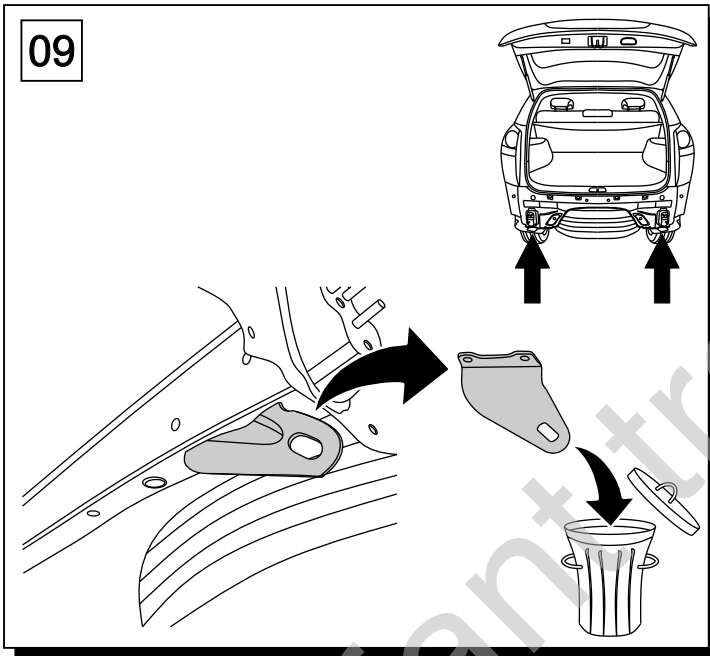
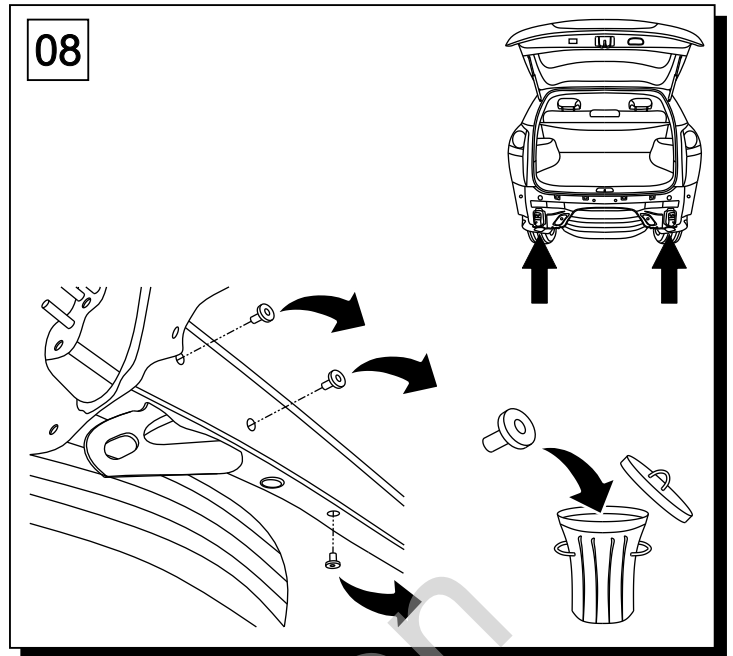
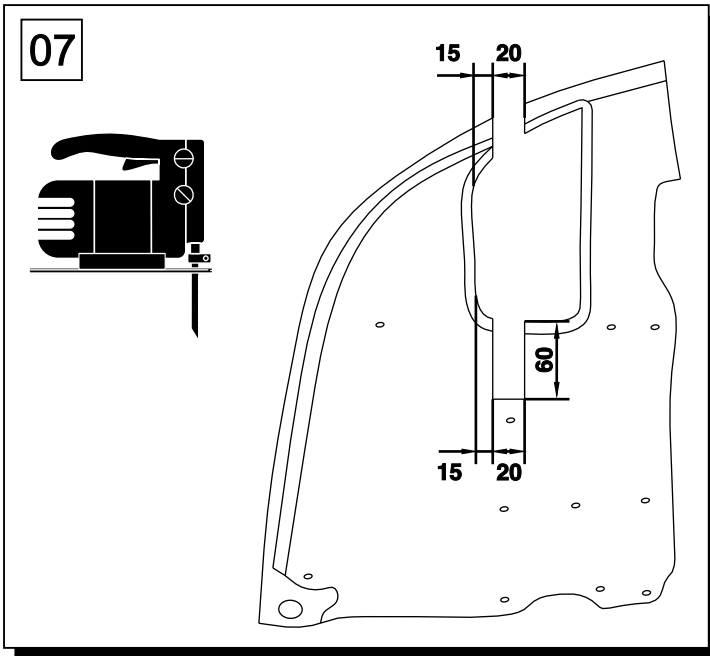


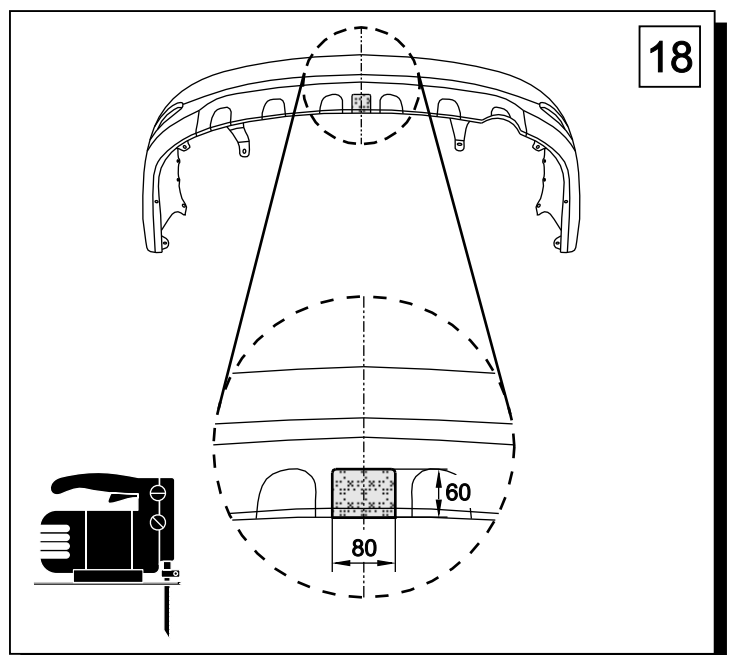
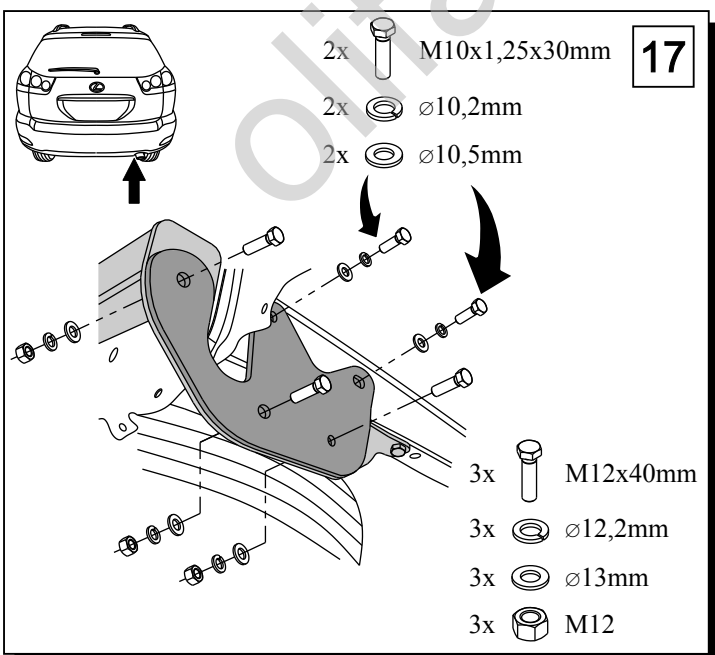
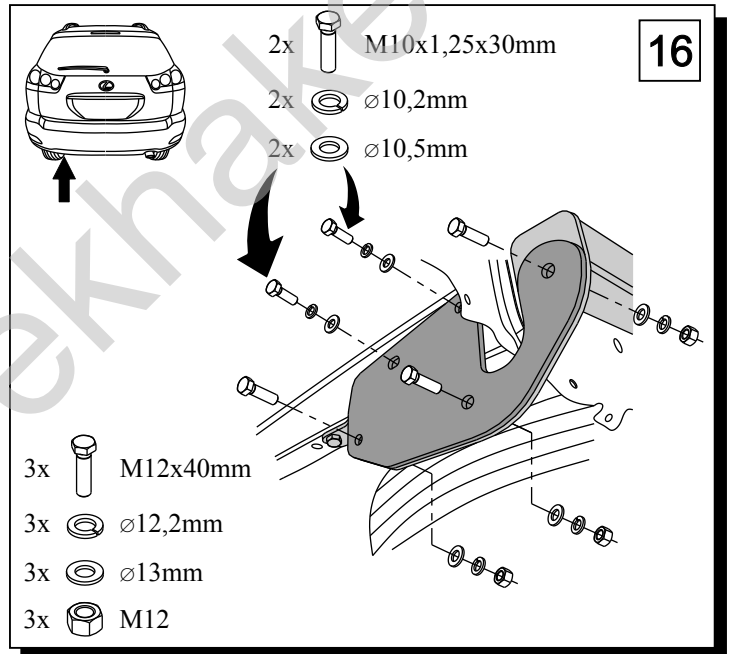
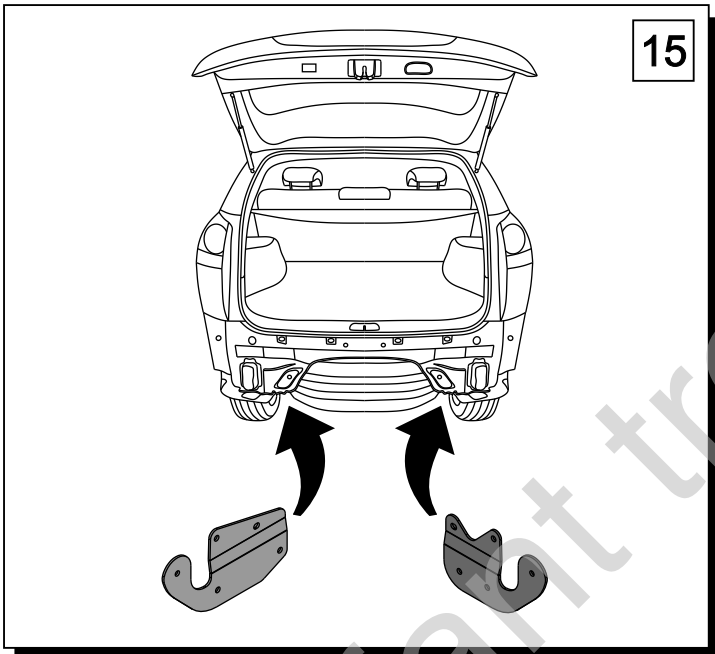
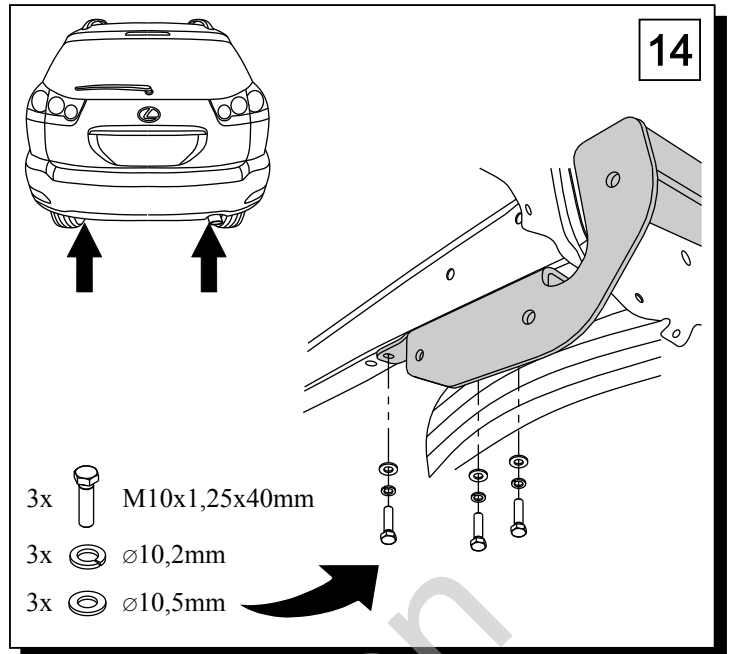
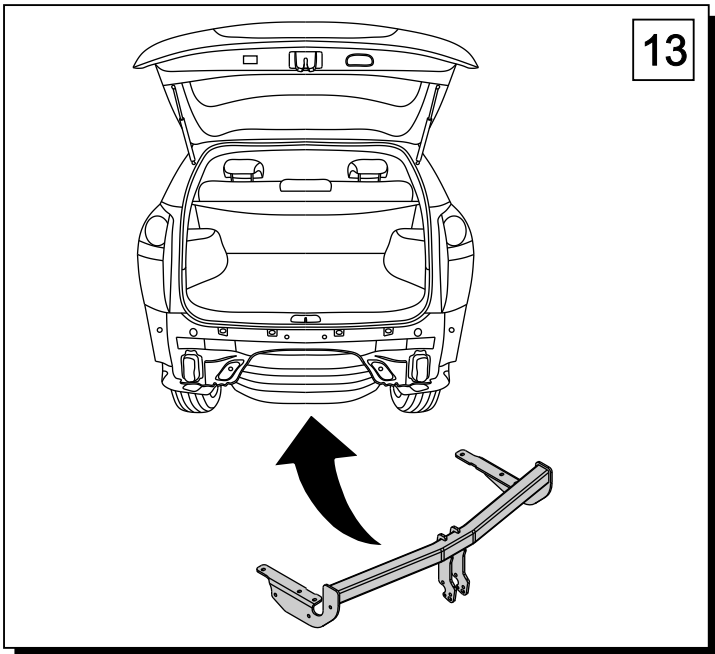
1000 km



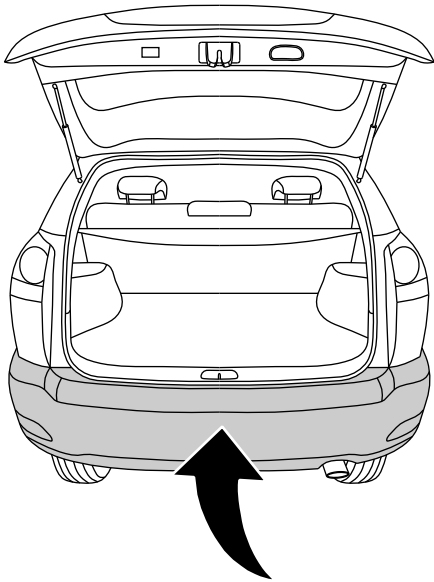
| | | | | | |
|-------------------------------------------------------------------------------------|----------|----------------|----------------------------------------------------------------------------------------------------------------------------------------------------------------------------------------------------------------------------------------------------------------------------------------------------------------------------------------------------------------------------------------------------------------------------------------------------------------------------------------------------------------------------------------------------------------------------------------------------------------------------------------------------------------------------------------------------------------------|------------------------------|------------|
|  | 1 | x1 |         | 8 M12x40 | x6 |
| | | | | 9 M10x1.25x40 | x6 |
| | | | | 10 M10x1.25x30 | x4 |
| | | | | 11 \varnothing 13 | x6 |
| | | | | 12 \varnothing 10.5 | x10 |
|  | 2 | x1 | | | |
| | | | 13 \varnothing 12.2 | x6 | |
| | | | 14 \varnothing 10.2 | x10 | |
| | | 15 M12 | x6 | | |
| | 3 | x1 | | | |
| | | Art.nr-BL1O90A | | | |
| | 4 | x1 | | | |
| | 5 | x1 | | | |
| | 6 | x2 | | | |
| | 7 | x1 | | | |



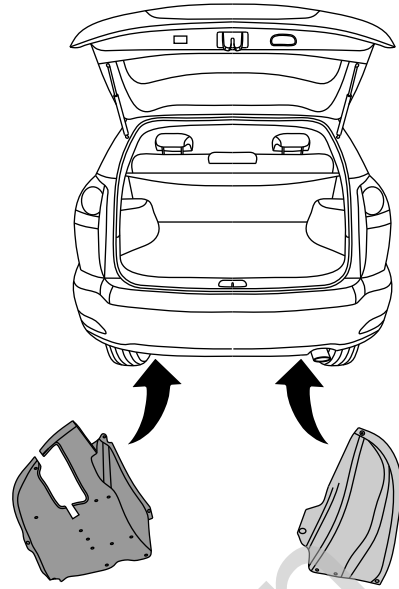




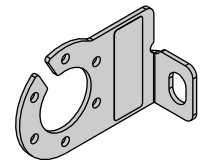
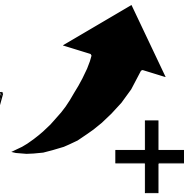
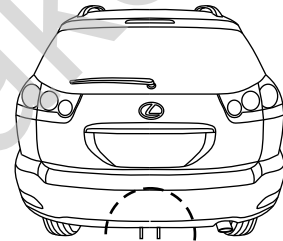
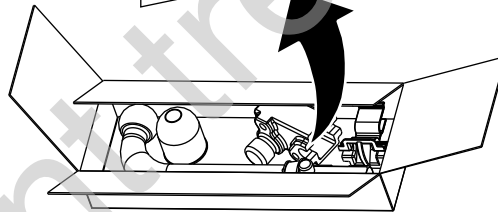
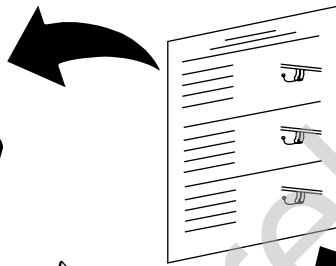
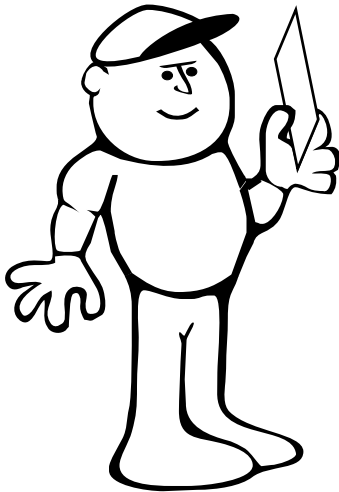
19



20



21



14