

# AUTO-HAK Sp. z o.o.

ul. Słoneczna 16K 76-200 SŁUPSK  
POLAND

tel/fax +48 59 8 414 414; +48 59 8 414 413

e-mail: [office@autohak.com.pl](mailto:office@autohak.com.pl)

[www.autohak.com.pl](http://www.autohak.com.pl)



# AUTO-HAK



**LEXUS NX (300H)**

Cat. no:

**O89A**



2014 → 08.2017

09.2017 →



E20-55R-01 4050



**1,5h**

**D**

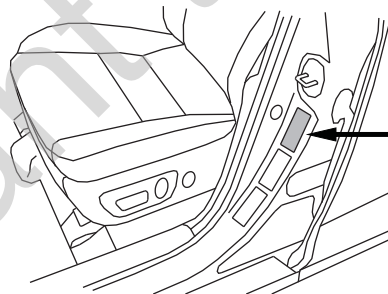
9,05 kN



R=1500 kg



S=75 kg

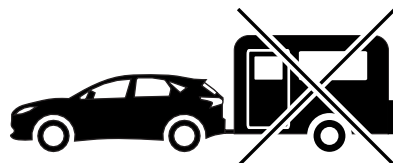


**\*Model**



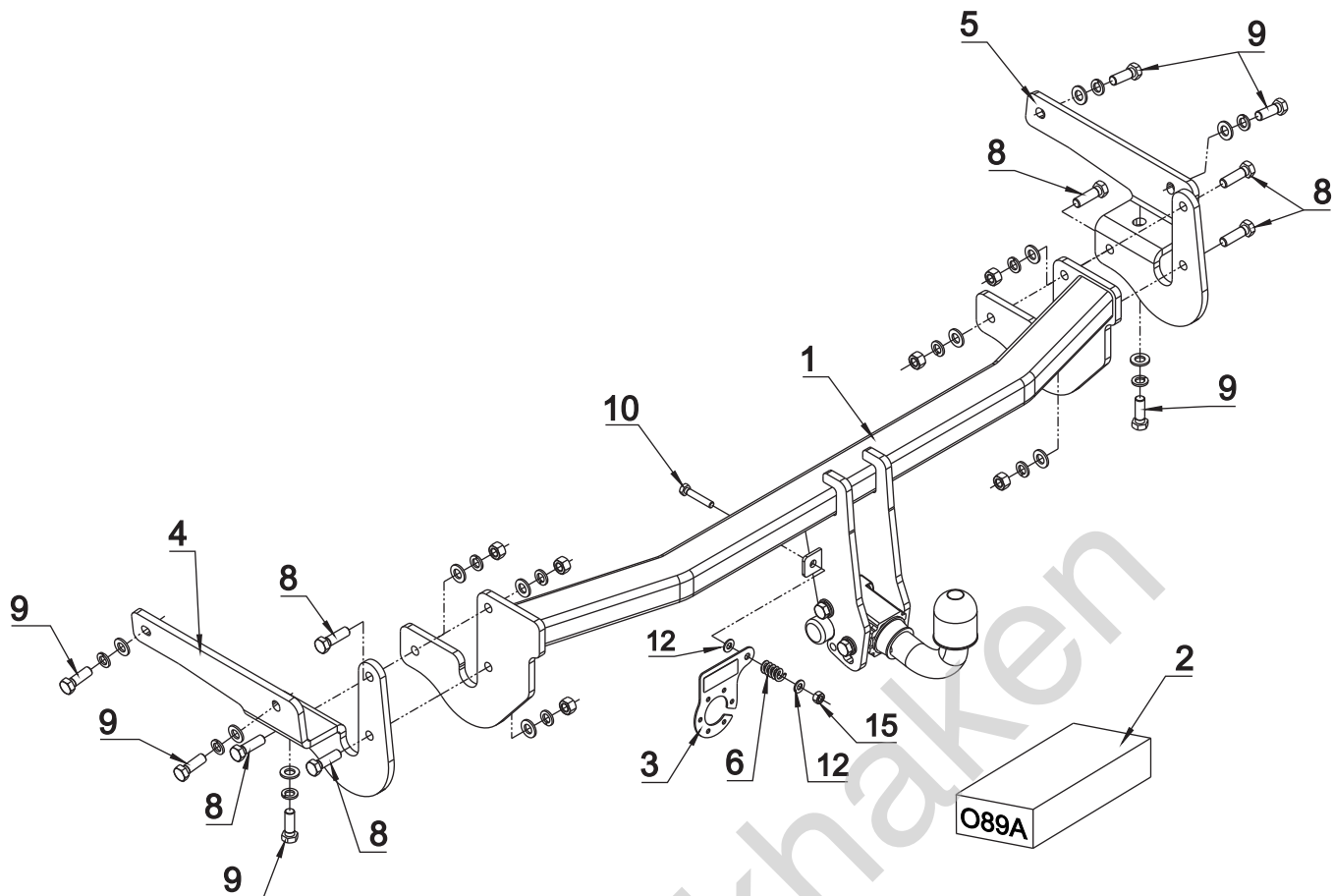
Model\*:

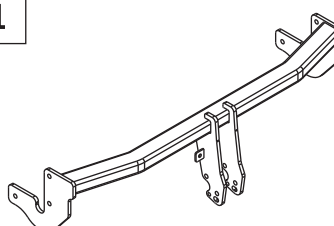

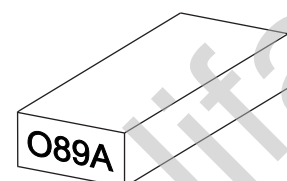



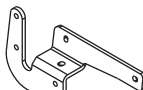
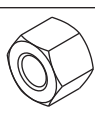
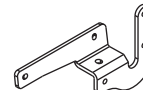
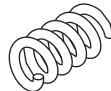

AYZ10R-AWXLBW,  
AYZ15R-AWXLBW,  
AYZ10L-AWXLBW,  
AYZ15L-AWXLBW

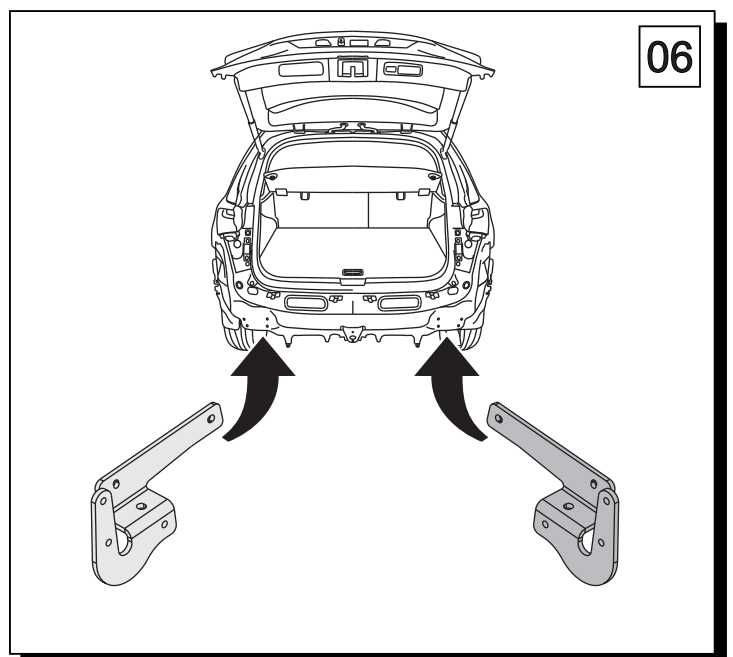
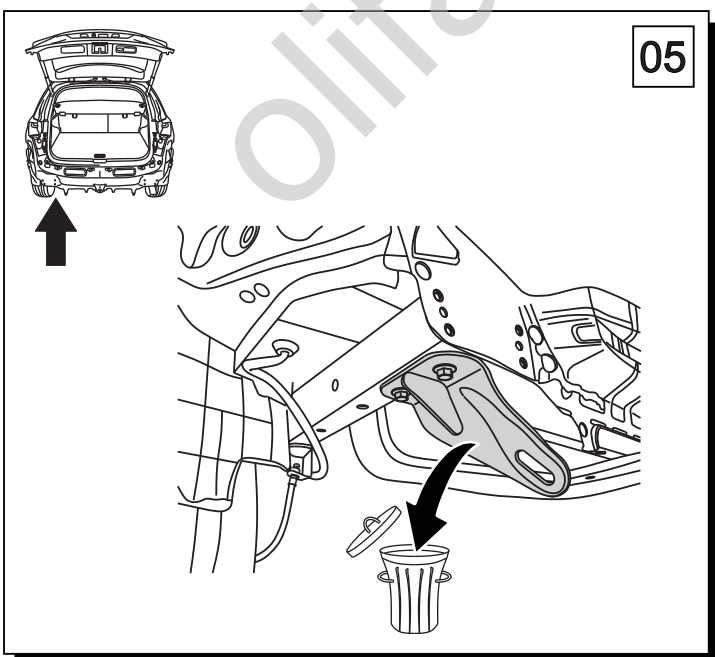
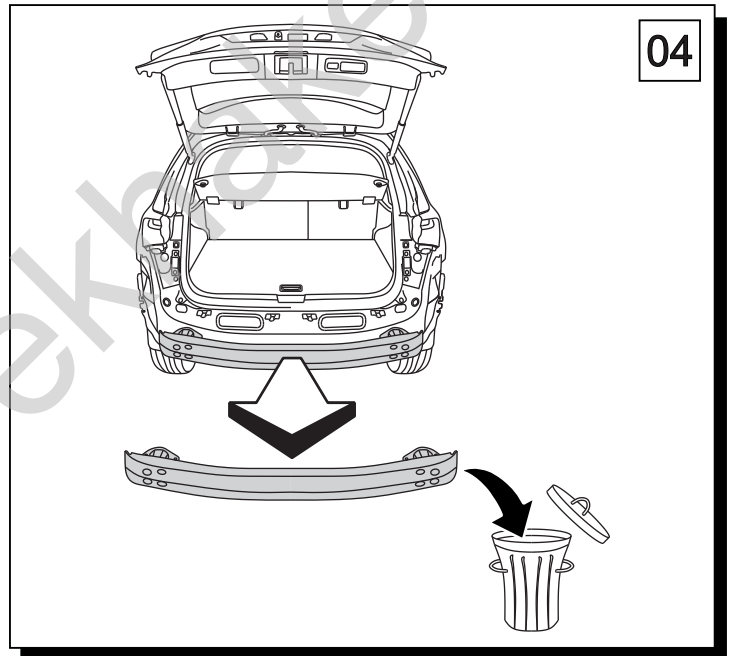
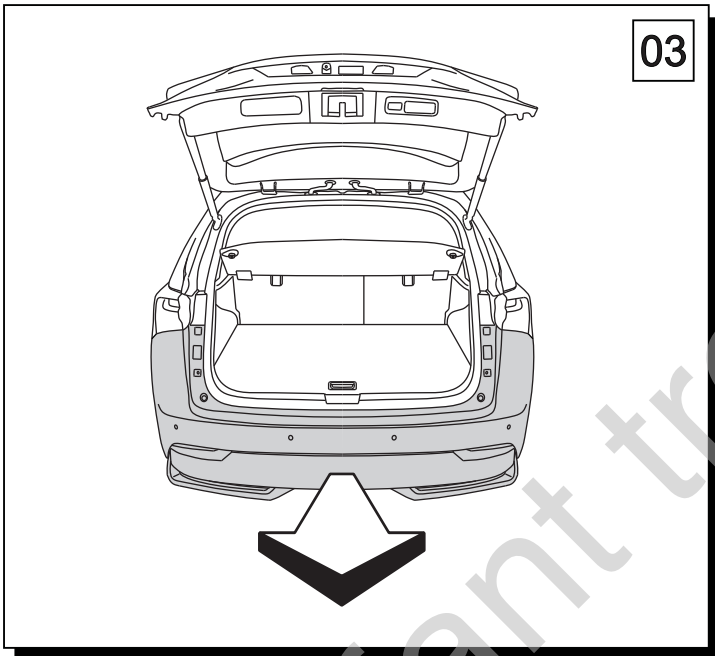
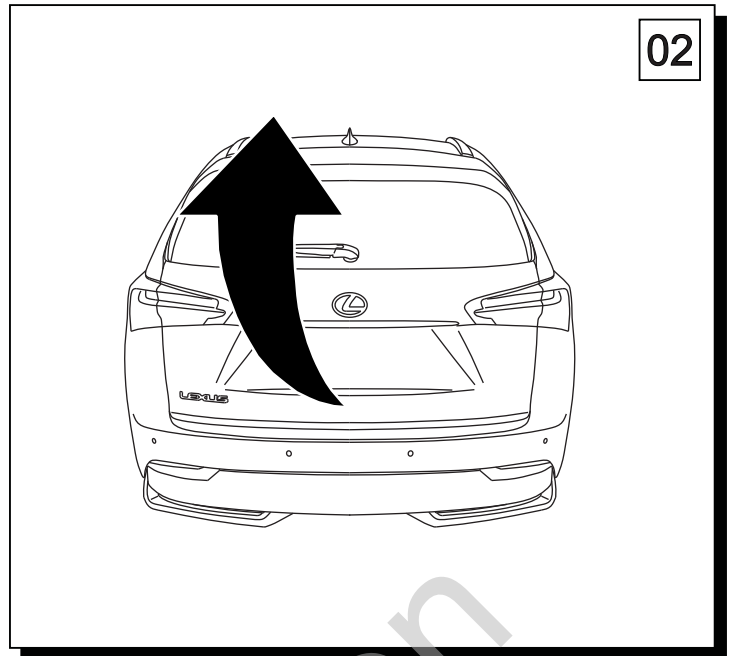
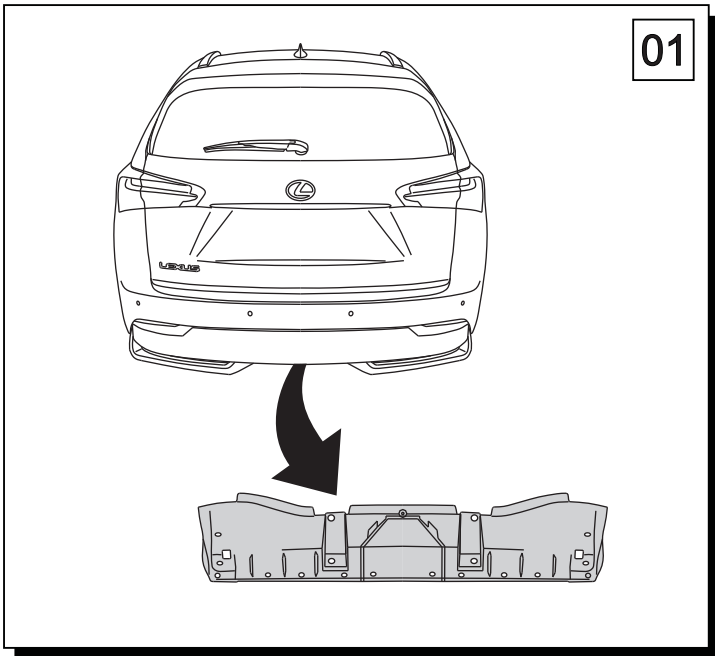


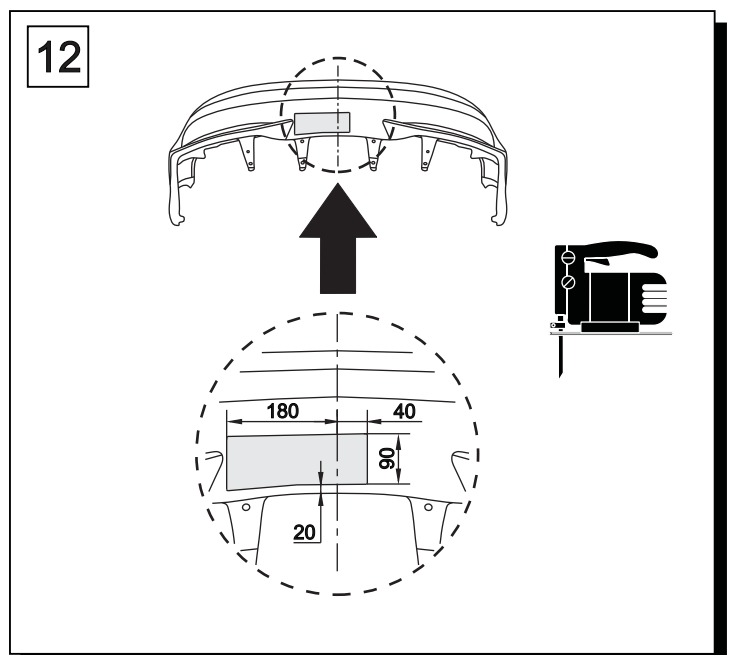
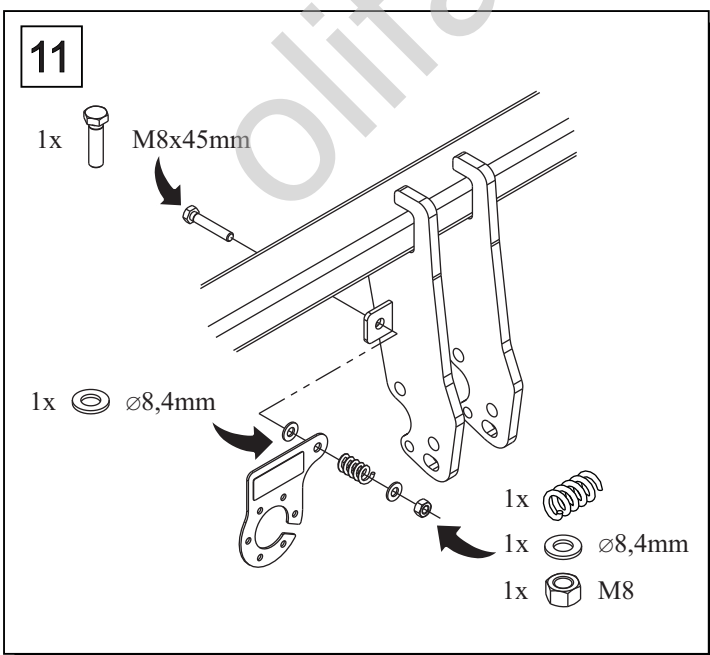
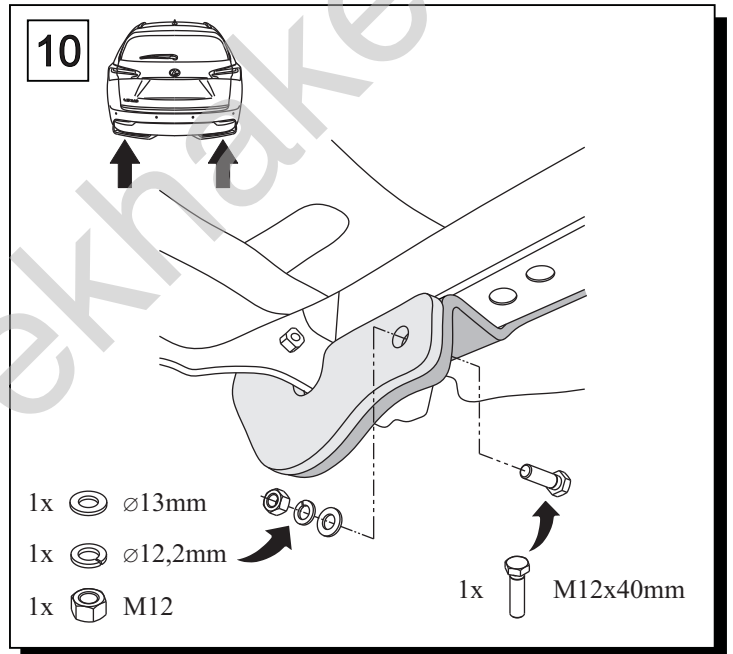
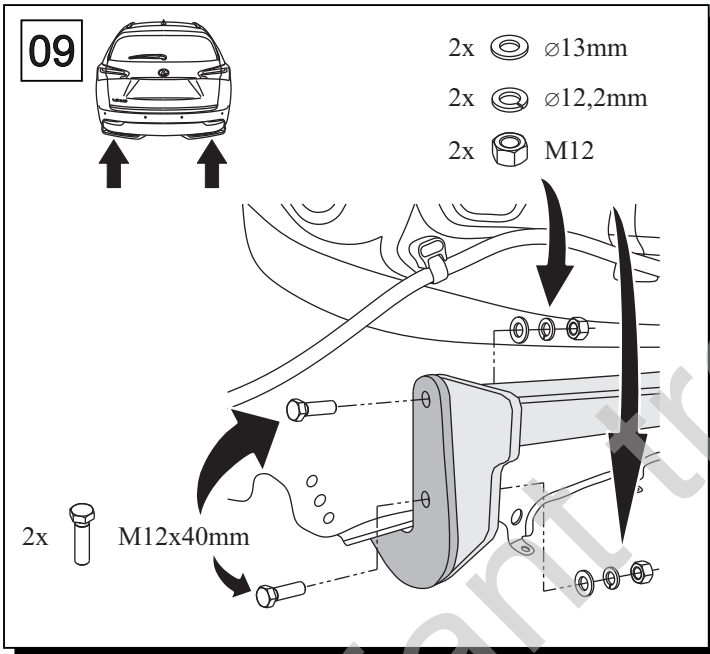
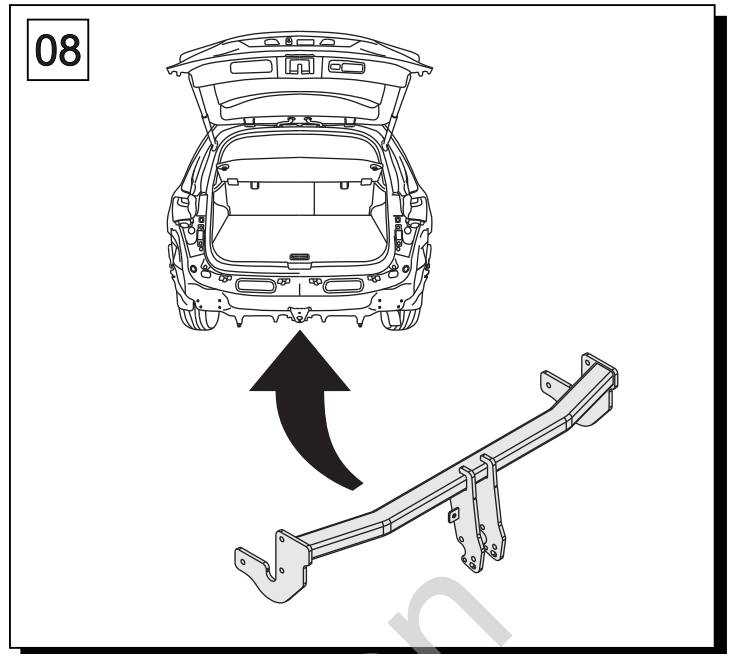
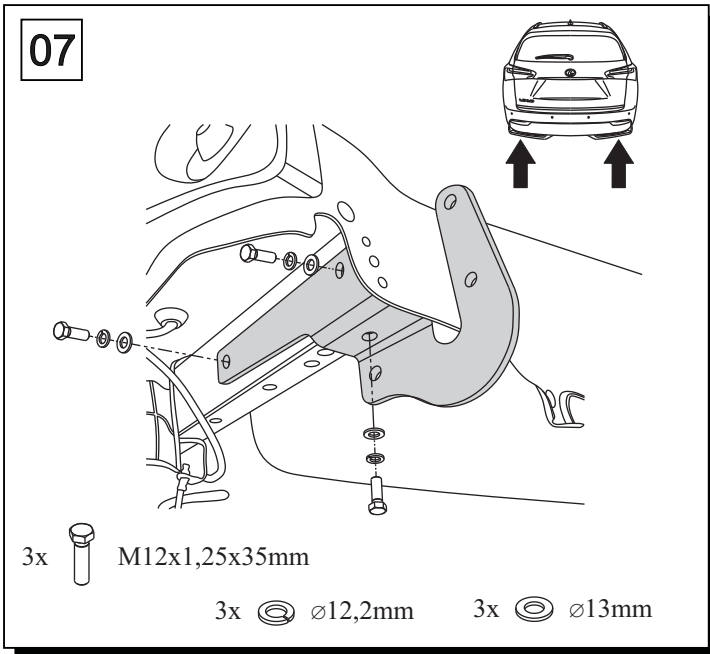
Model\*:

AYZ10R-AWXEBW,  
AYZ10L-AWXEBW

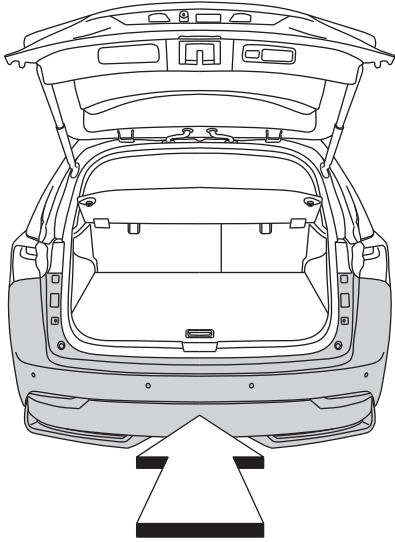


1		x1		8	M12x40	x6
				9	M12x1.25x35	x6
2	 Art.nr-KL1O89A	x1		10	M8X45	x1
				11	∅ 13	x12
3	 Art.nr-BL1O89A	x1		12	∅ 8.4	x2
				13	∅ 12.2	x12
4		x1		14	M12	x6
5		x1		15	M8	x1
6		x1				
7		x1				

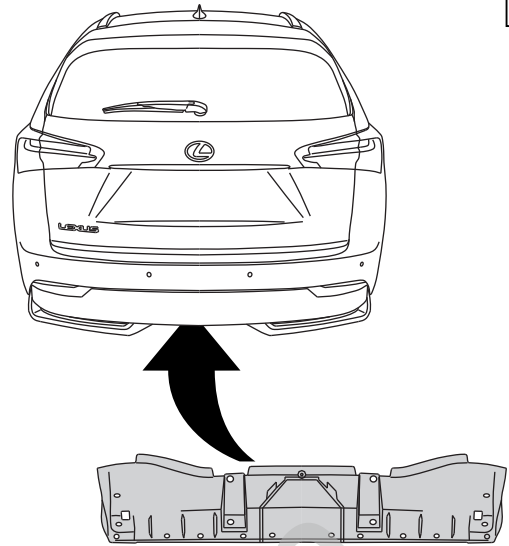




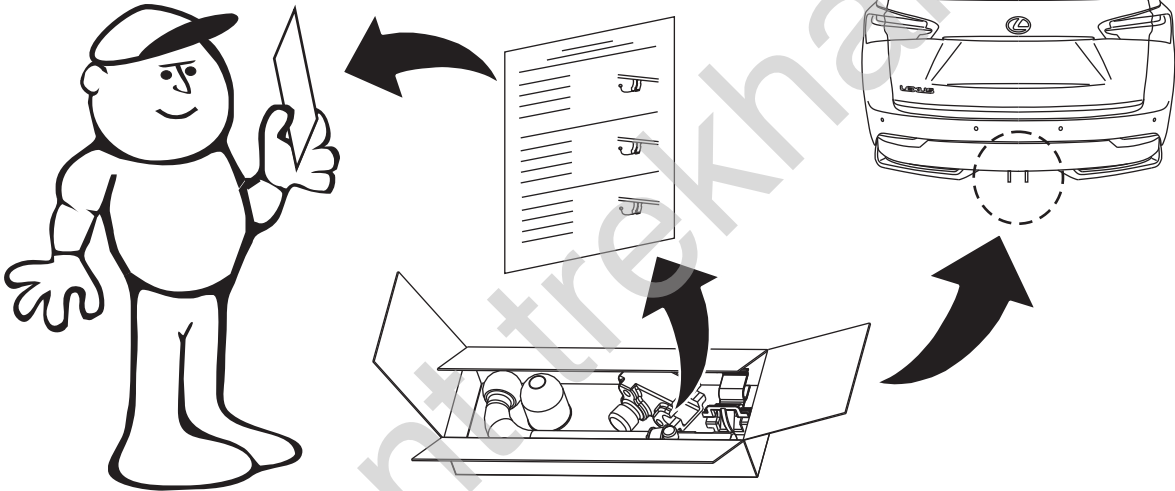
13



14



15



M6 - 11 Nm  
 M10 - 50 Nm  
 M14 - 138 Nm

M8 - 25 Nm  
 M12 - 87 Nm  
 M16 - 210 Nm



0 km



1000 km