

PPUH AUTO-HAK Sp.J.

Henryk & Zbigniew Nejman
ul. Słoneczna 16K 76-200 SŁUPSK
POLAND

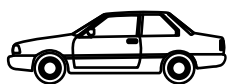
tel/fax +48 059 8-414-414; 8-414-413

e-mail: office@autohak.com.pl

www.autohak.com.pl



AUTO-HAK



**TOYOTA COROLLA 4D
(E18)**

~~HYBRID~~

Cat. no:

O86A



06.2013 →



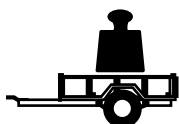
E20-55R-01 3477



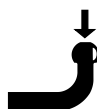
8,6 kN



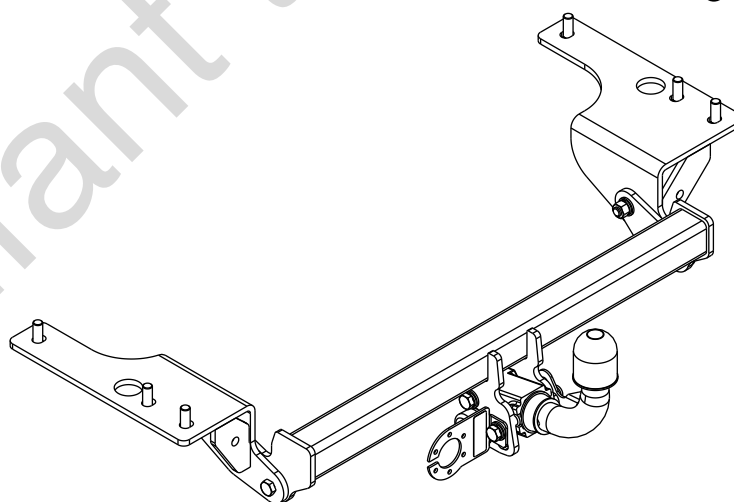
2,5h



R=1300 kg



S=60 kg



**M6 - 11 Nm
M10 - 50 Nm
M14 - 138 Nm**

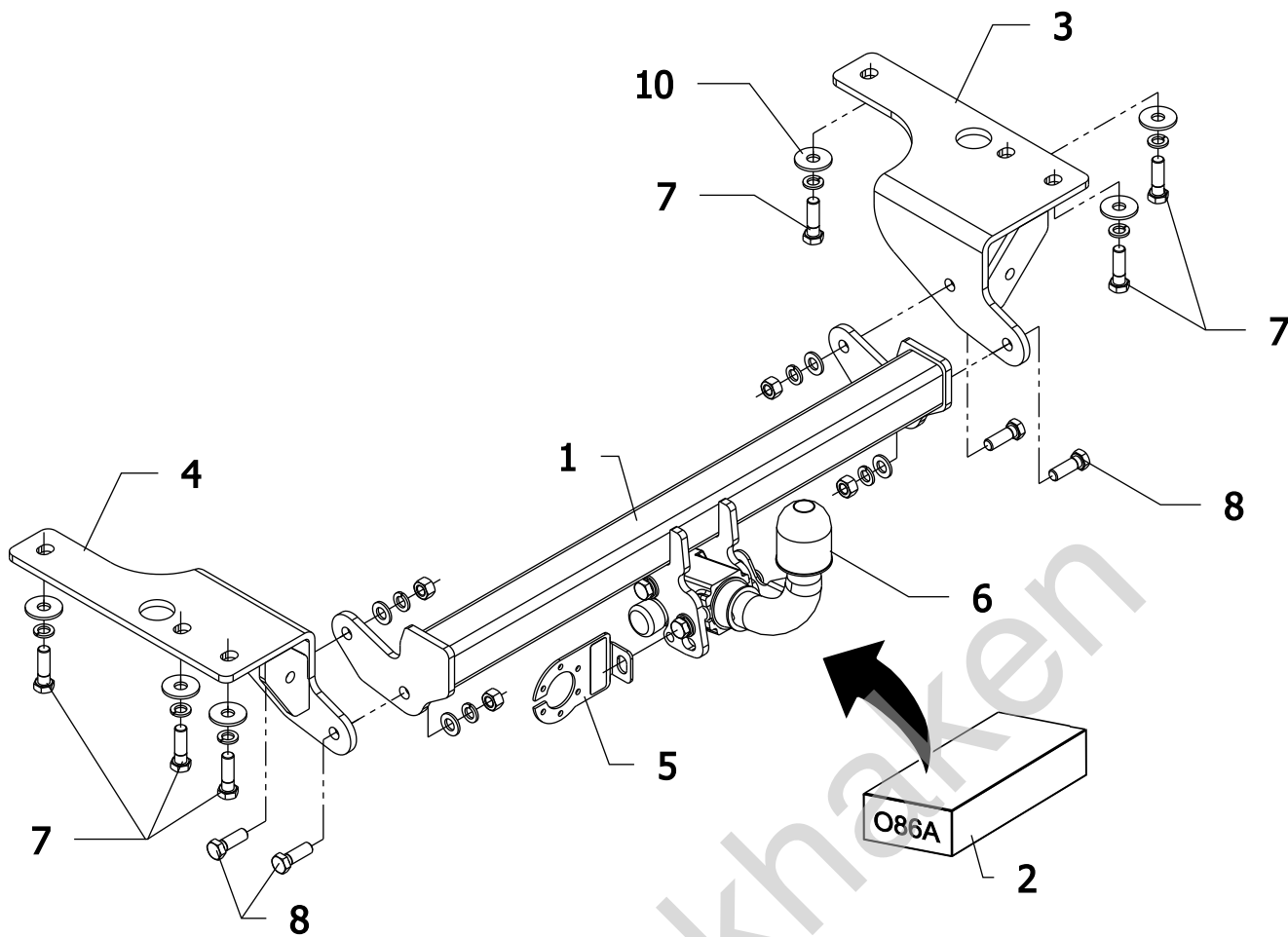
**M8 - 25 Nm
M12 - 87 Nm
M16 - 210 Nm**

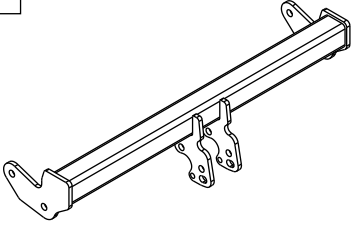

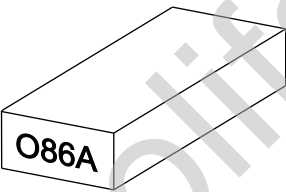

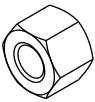
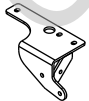
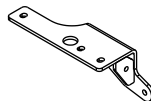
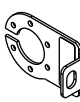
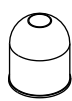


0 km →



1000 km



1		x1		7	M12x1.25x40	x6
				8	M12x35	x4
				9	∅ 13	x4
				10	∅ 37x∅13x3 13 DIN 9021	6
2		x1		11	∅ 12.2	x10
				12	M12	x4
Art.nr-KL1086A						
3		x1				
4		x1				
5		x1				
Art.nr-BL1086A						
6		x1				

