

# PPUH AUTO-HAK Sp.J.

Henryk & Zbigniew Nejman  
ul. Słoneczna 16K 76-200 SŁUPSK  
POLAND

tel/fax +48 059 8-414-414; 8-414-413

e-mail: [office@autohak.com.pl](mailto:office@autohak.com.pl)

[www.autohak.com.pl](http://www.autohak.com.pl)



# AUTO-HAK



## TOYOTA AURIS

AURIS (E18), 3/5D, ~~HYBRID~~

01.2013 → 12.2015

AURIS, 3/5D, ~~HYBRID~~

01.2016 →

Cat. no:

**084**

**E20**

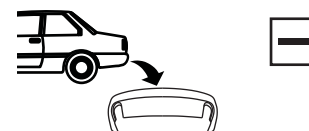
**E20-55R-01 3061**



**2h**

**D**

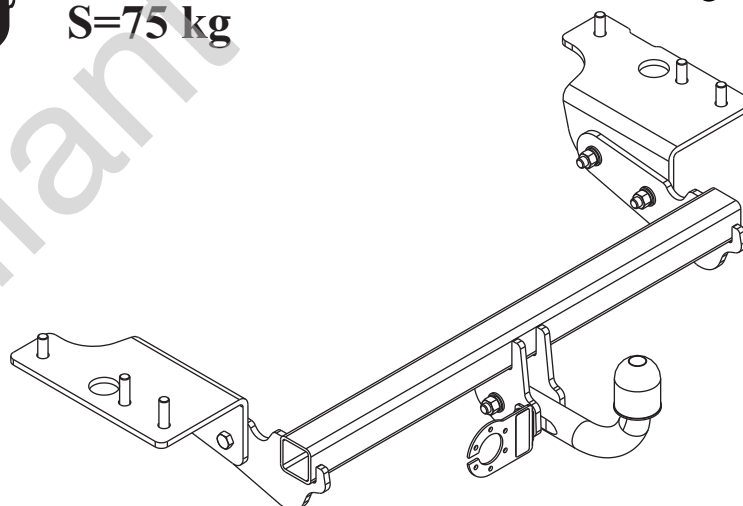
**8,8 kN**



**R=1600 kg**



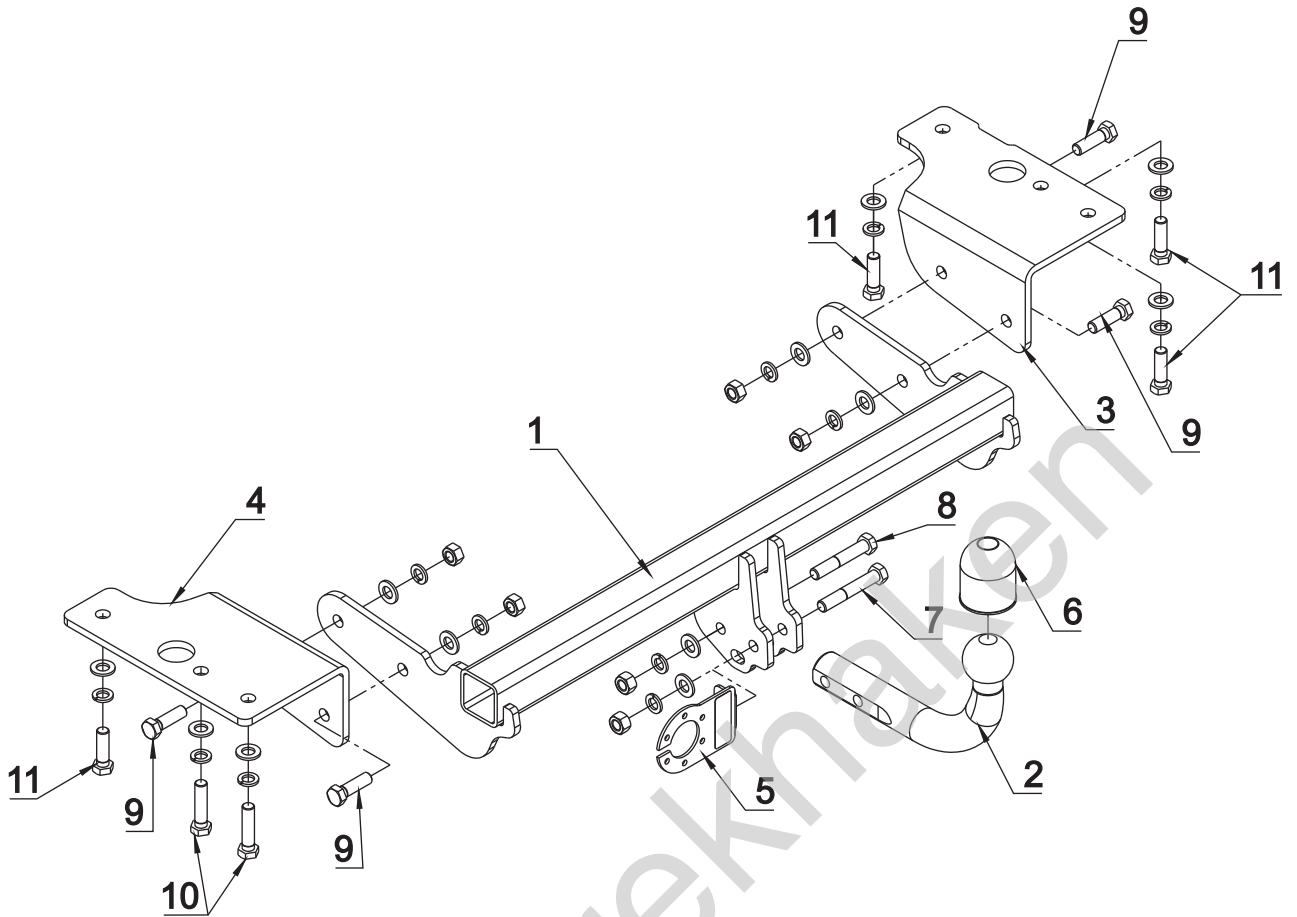
**S=75 kg**

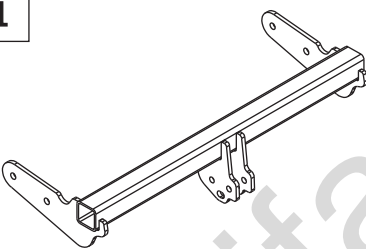

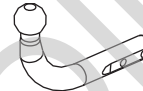

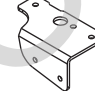

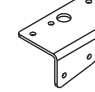

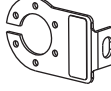



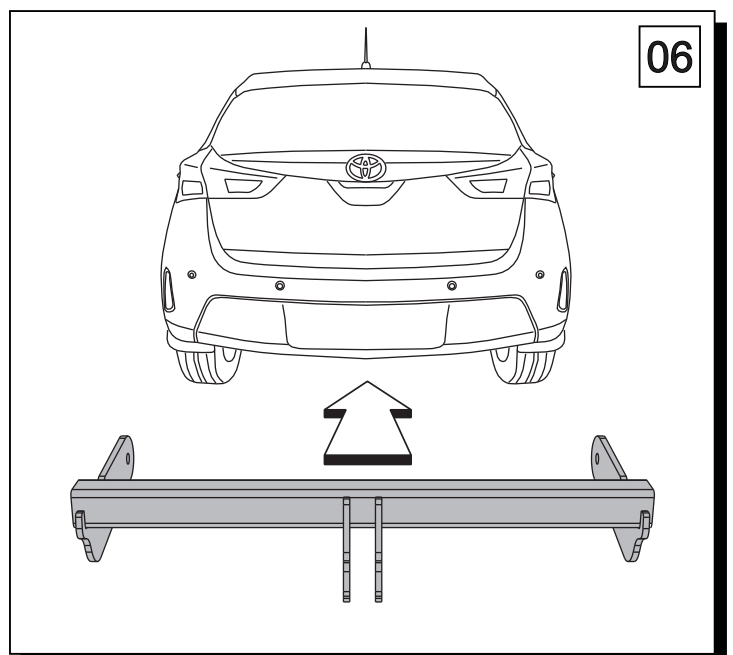
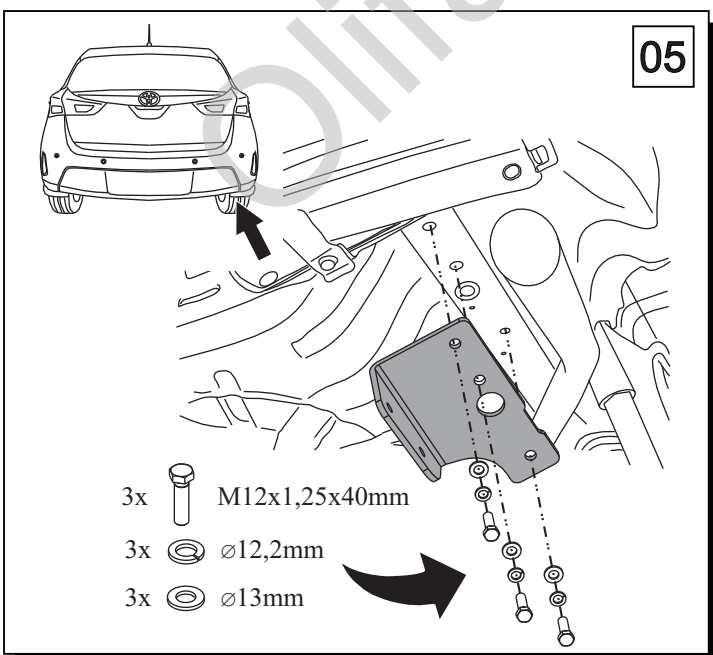
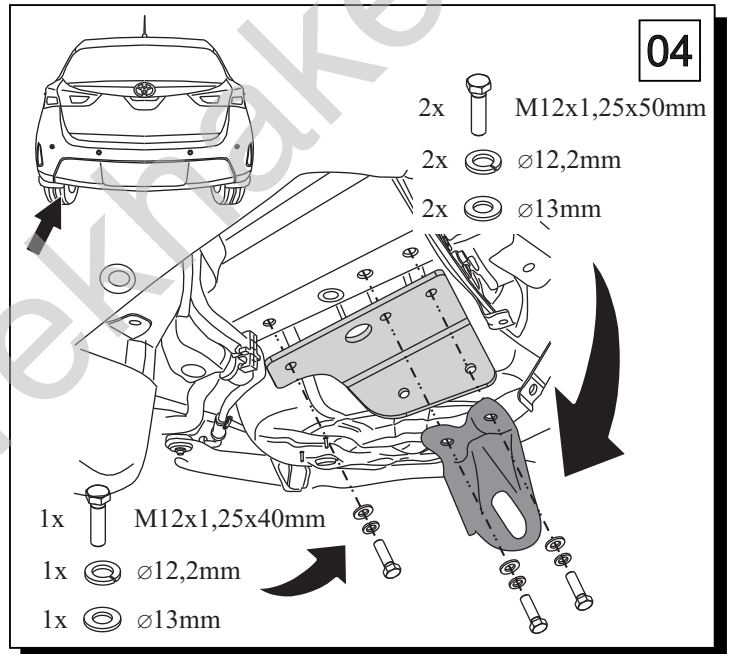
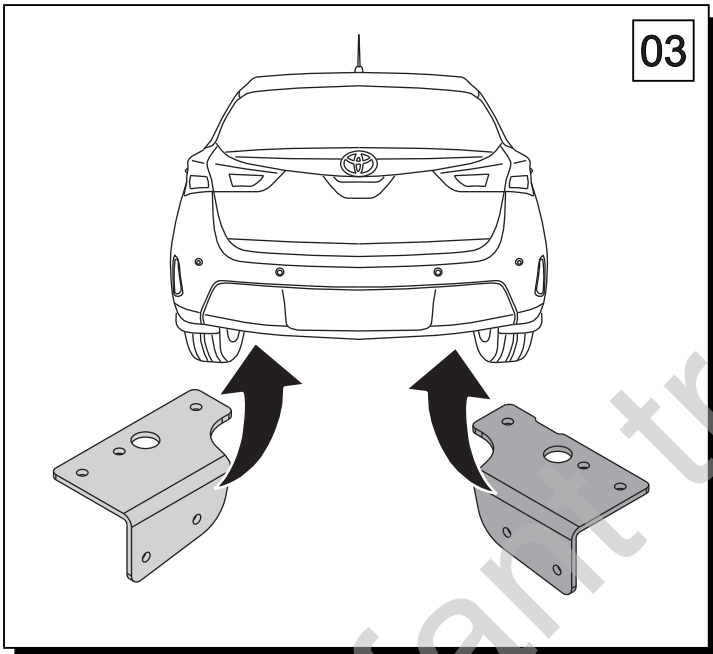
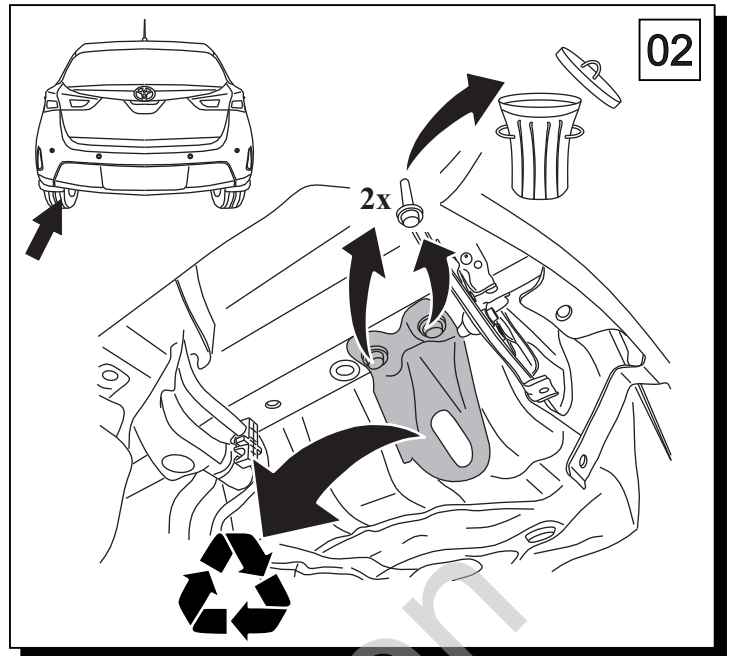
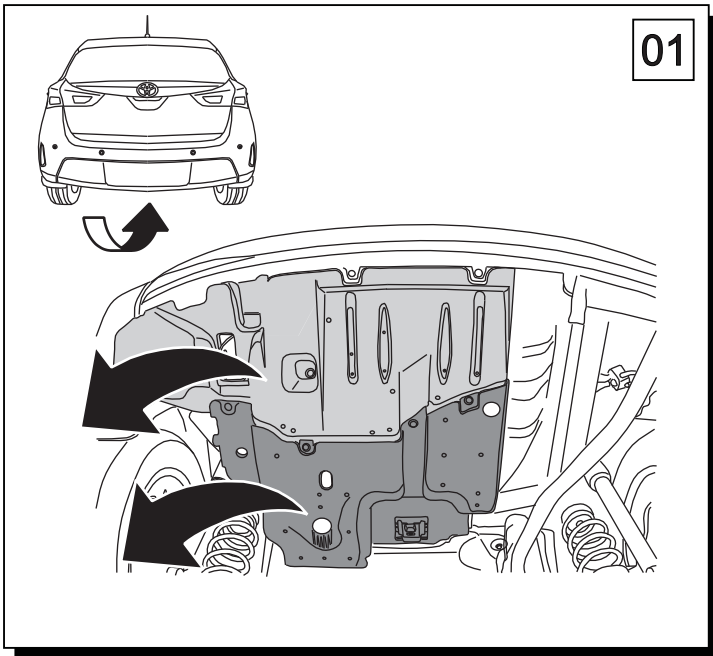
M6 - 11 Nm  
M10 - 50 Nm  
M14 - 138 Nm

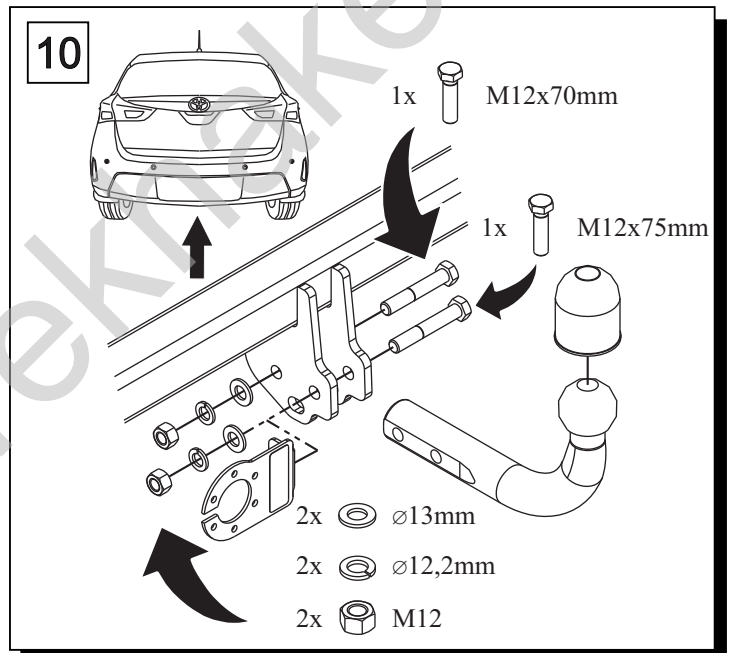
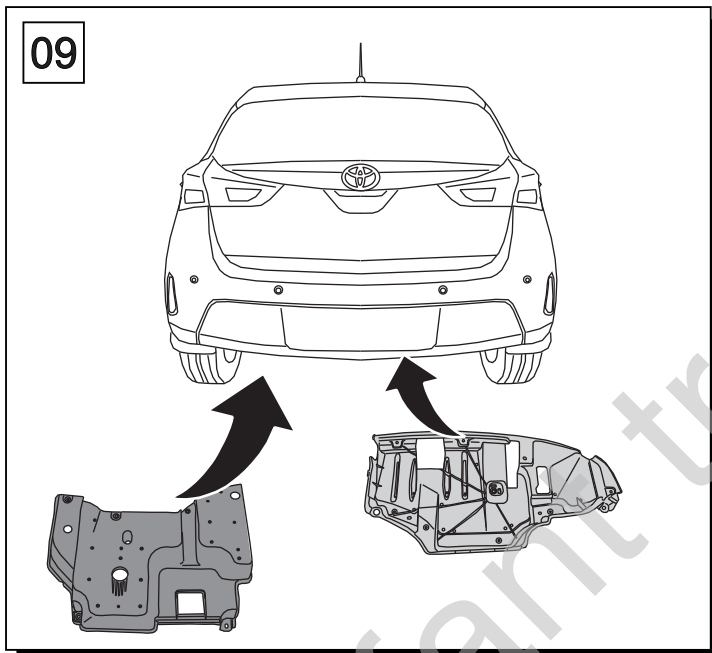
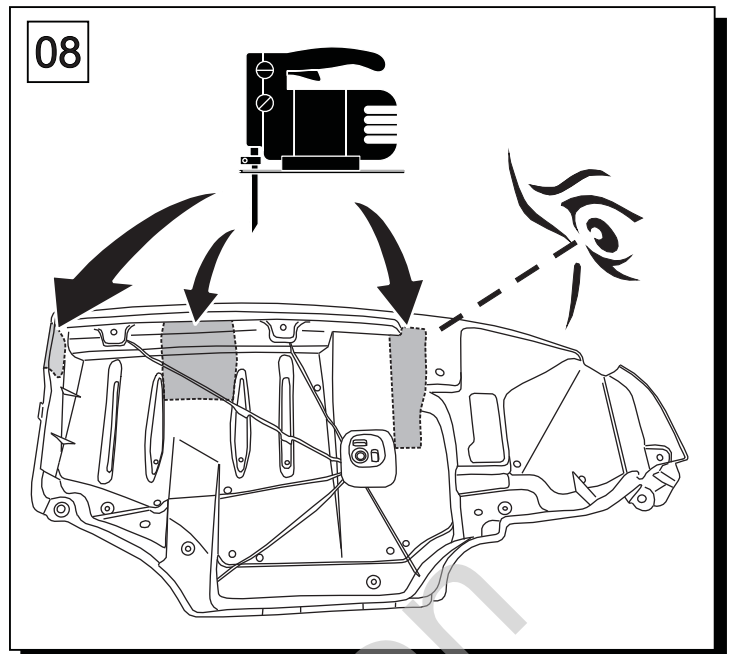
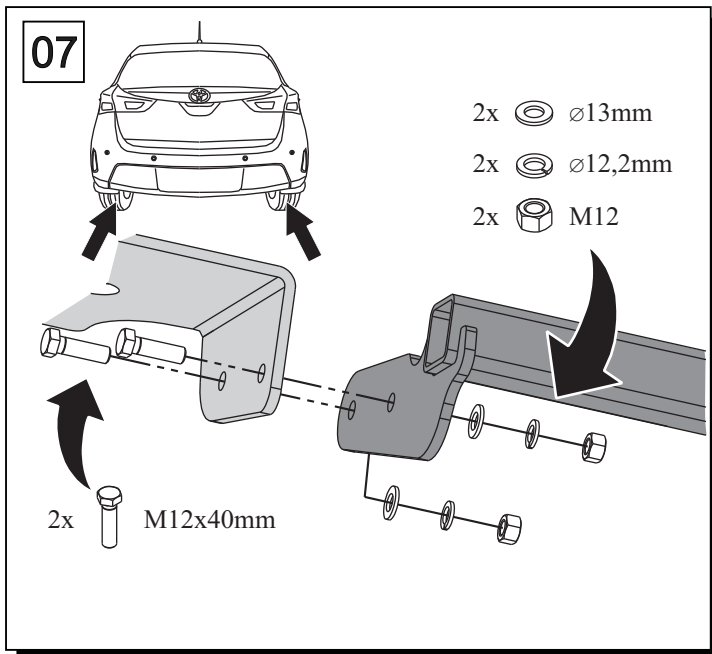

M8 - 25 Nm  
M12 - 87 Nm  
M16 - 210 Nm

0 km → 1000 km





|   |   |    |   |    |             |     |
|---|---|----|---|----|-------------|-----|
| 1 |  | x1 |  | 7  | M12x75      | x1  |
|   |   |    |   | 8  | M12x70      | x1  |
|   |   |    |   | 9  | M12x40      | x4  |
|   |   |    |   | 10 | M12x1.25x50 | x2  |
|   |   |    |   | 11 | M12x1.25x40 | x4  |
| 2 |  | x1 |  | 12 | ∅ 13        | x12 |
|   | Art.nr-KL1084   |    |   |    |             |     |
| 3 |  | x1 |  | 13 | ∅ 12.2      | x12 |
|   |   |    |   |    |             |     |
| 4 |  | x1 |  | 14 | M12         | x6  |
|   |   |    |   |    |             |     |
| 5 |  | x1 |   |    |             |     |
|   | Art.nr-BL1084   |    |   |    |             |     |
| 6 |  | x1 |   |    |             |     |
|   |   |    |   |    |             |     |



|     |   |        |     |   |        |
|-----|---|--------|-----|---|--------|
| M6  | - | 11 Nm  | M8  | - | 25 Nm  |
| M10 | - | 50 Nm  | M12 | - | 87 Nm  |
| M14 | - | 138 Nm | M16 | - | 210 Nm |

 0 km  $\longrightarrow$   1000 km