

PPUH AUTO-HAK Sp.J.

Henryk i Zbigniew Nejman
ul. Słoneczna 16K 76-200 SŁUPSK
POLAND

tel/fax +48 59 8 414 414; +48 59 8 414 413

e-mail: office@autohak.com.pl

www.autohak.com.pl



AUTO-HAK



TOYOTA VERSO S

(VAN), ~~1.4D-4D~~

03.2011 →

SUBARU TREZIA

04.2011 →

Cat. no:

083

e20

e20*94/20*1663*00



1h

D

5,84 kN



R=900 kg



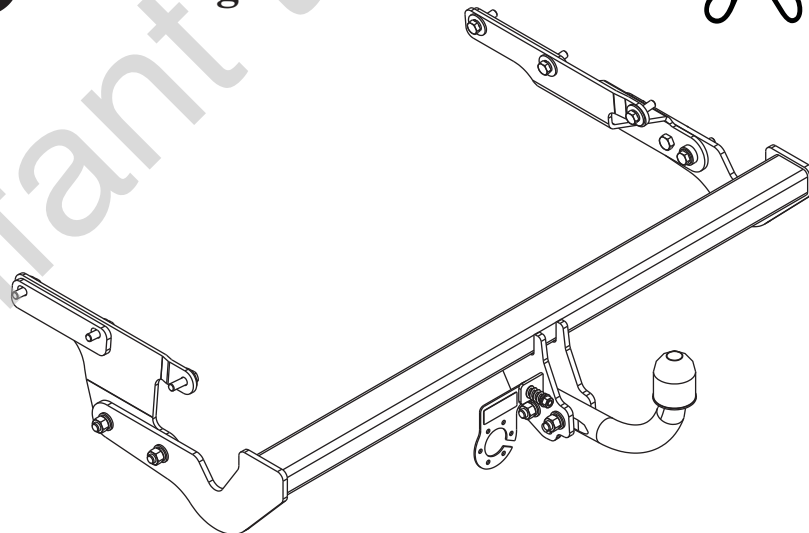
-



S=50 kg



-



M6 - 8,5 Nm
M10 - 41 Nm
M14 - 112 Nm

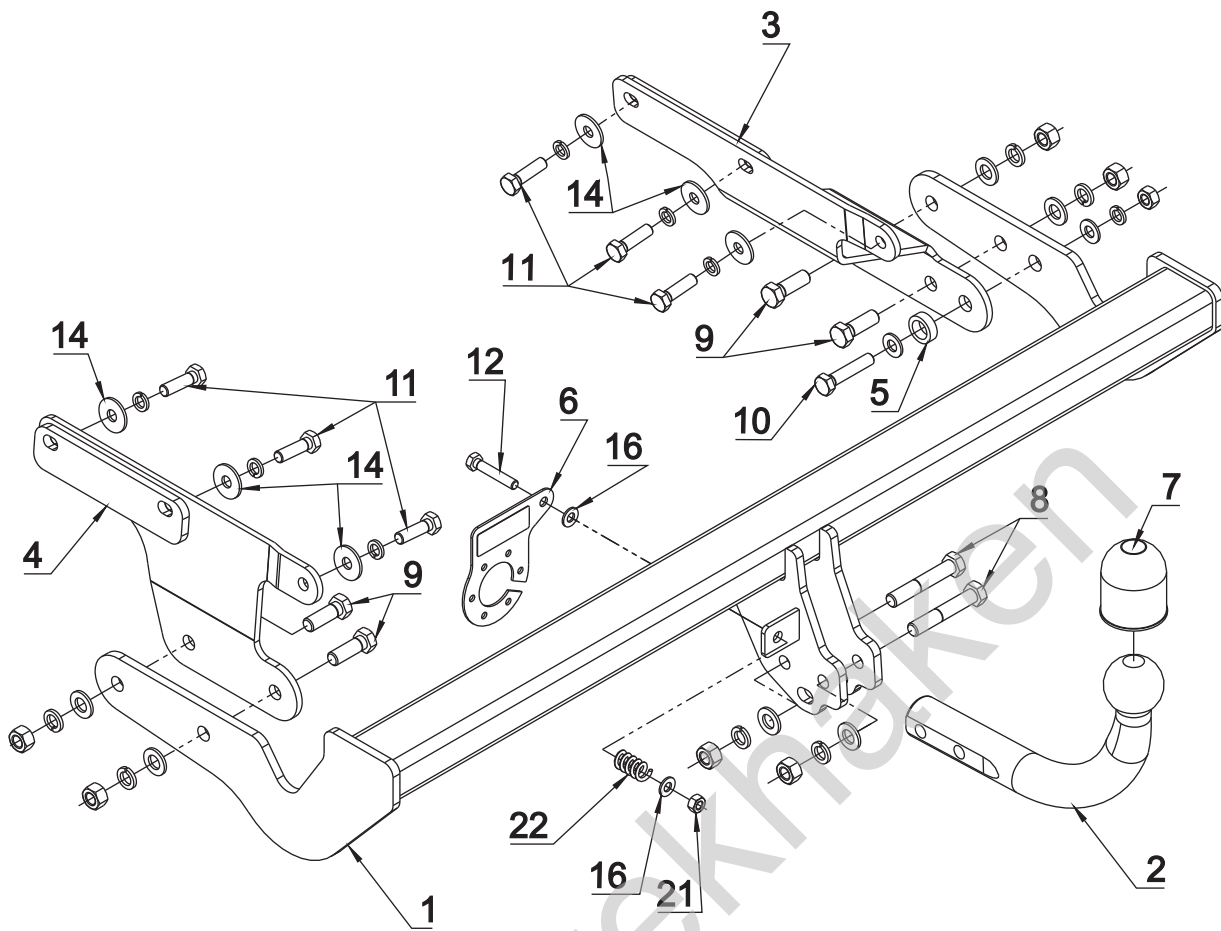
M8 - 20 Nm
M12 - 70 Nm
M16 - 170 Nm



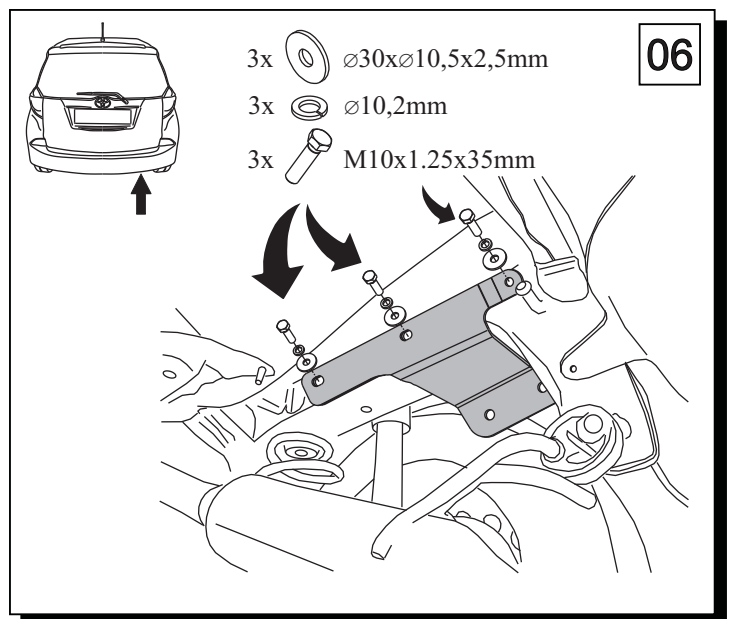
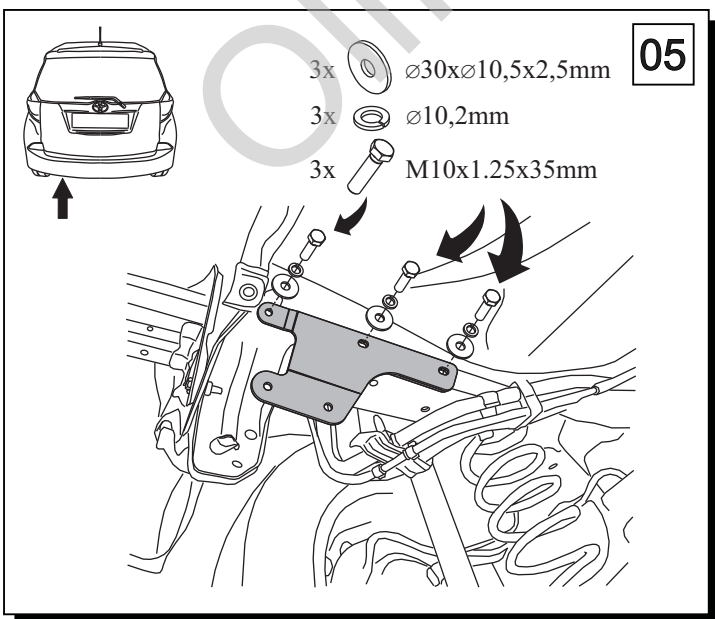
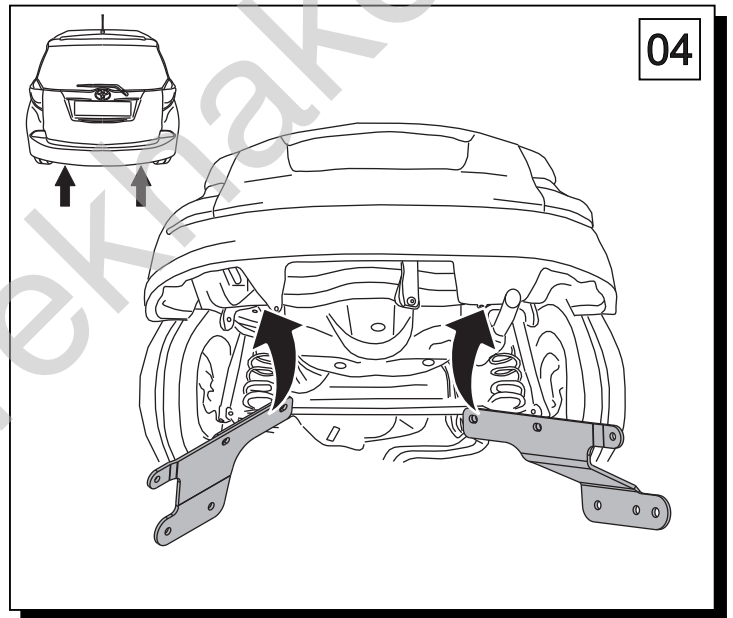
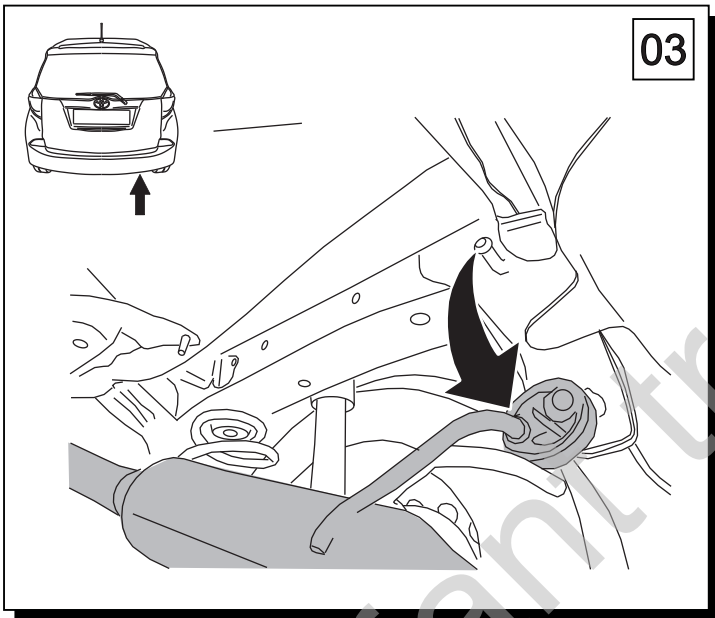
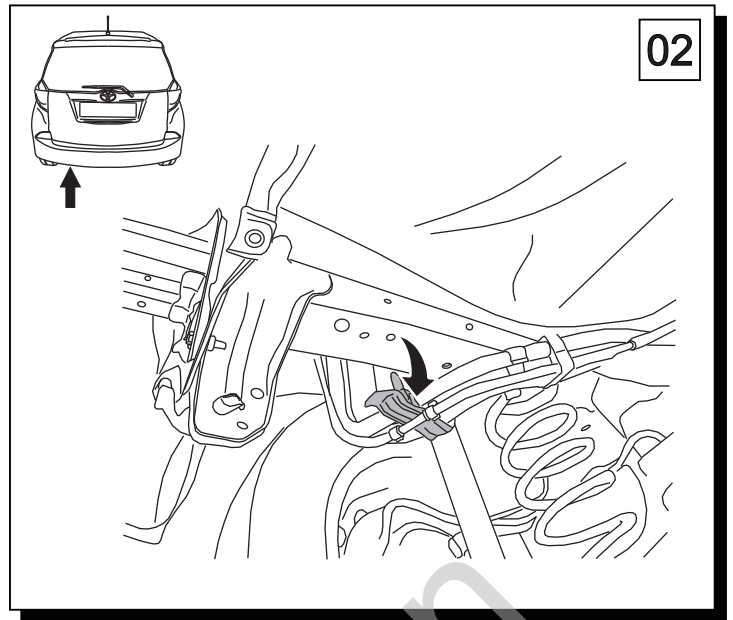
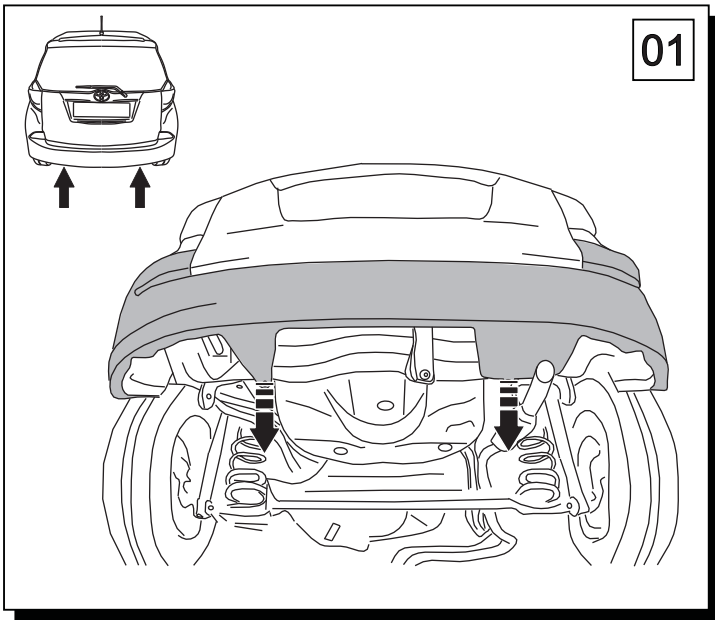
0 km →

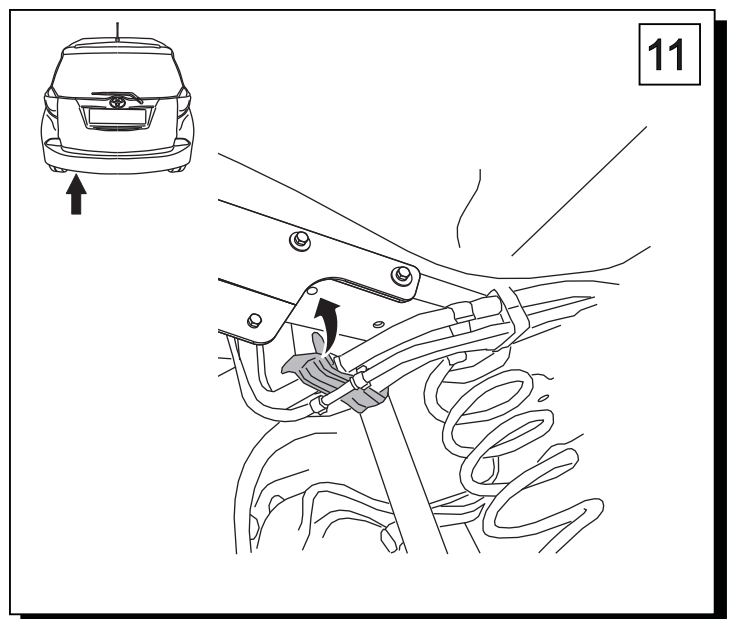
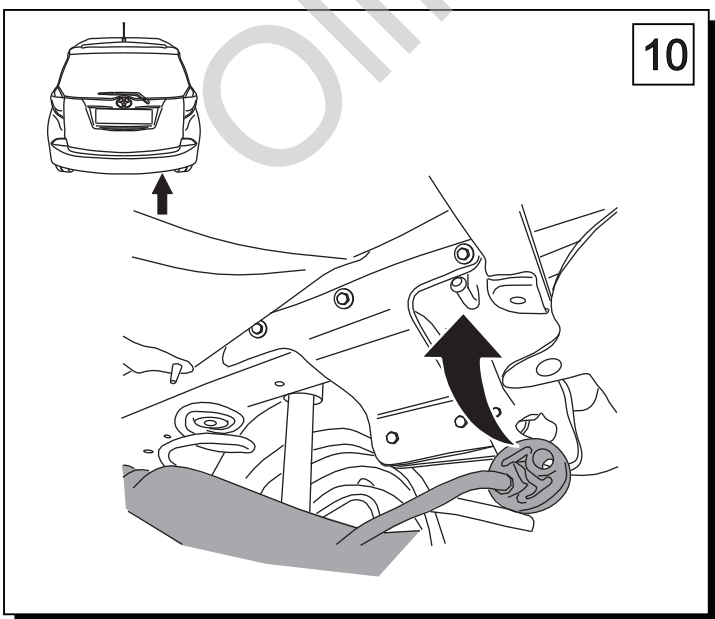
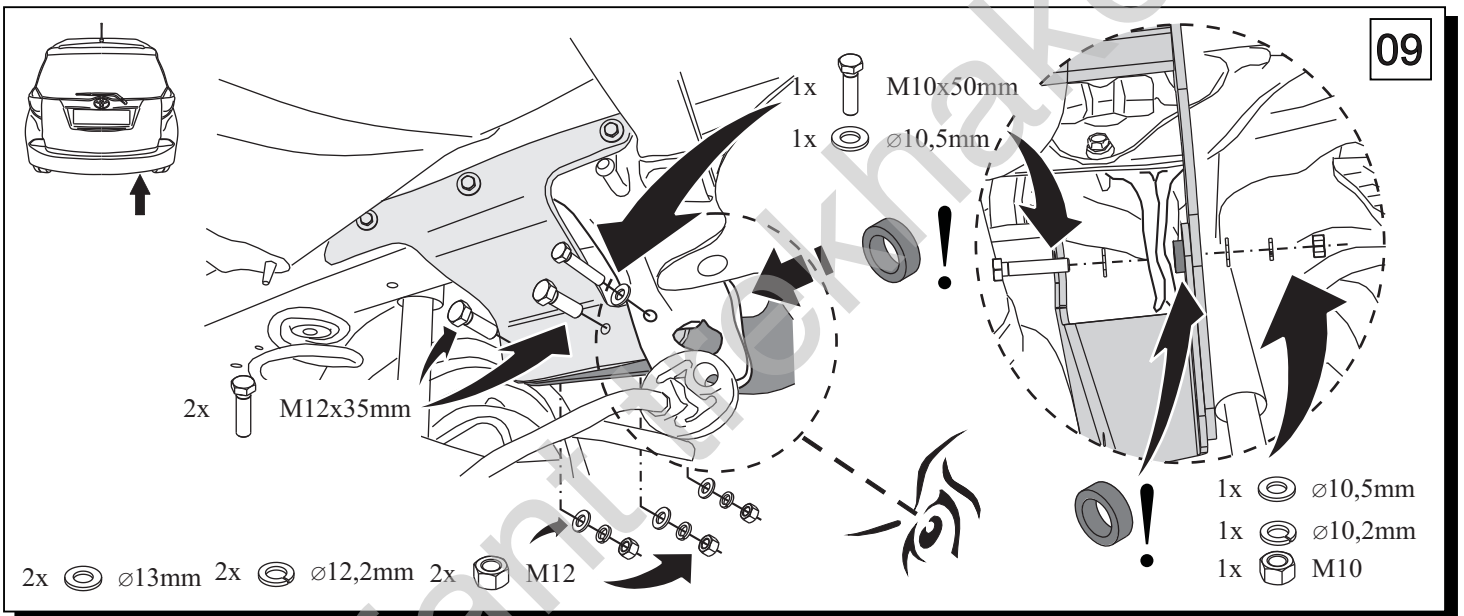
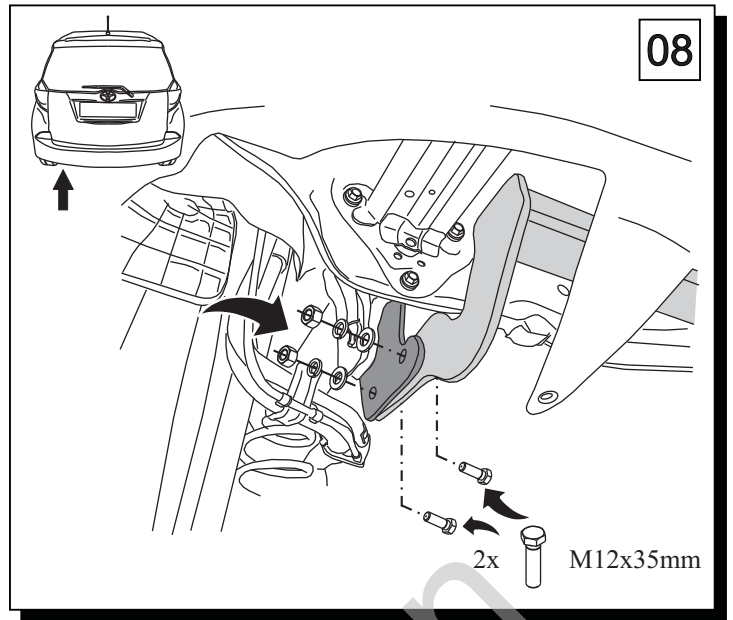
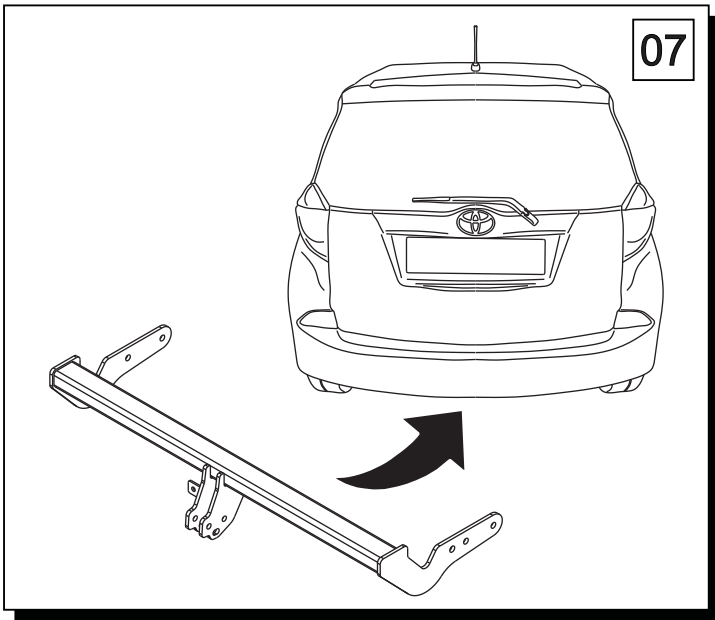


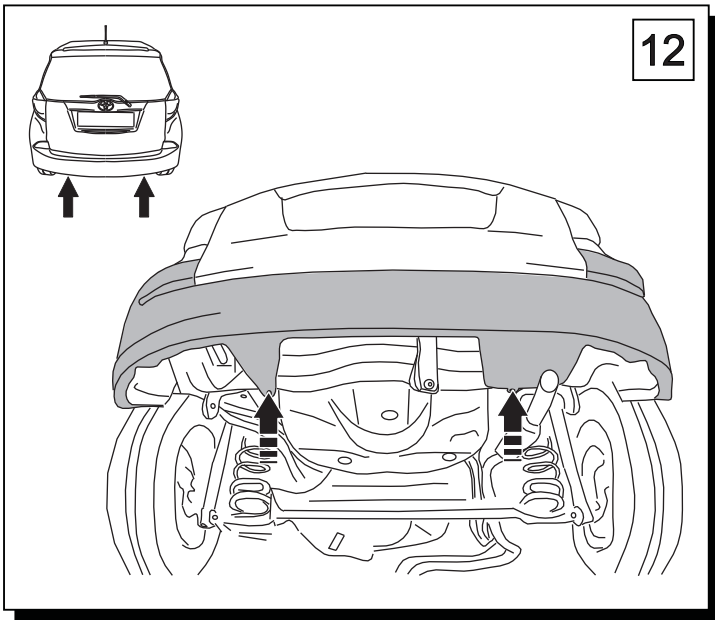
1000 km



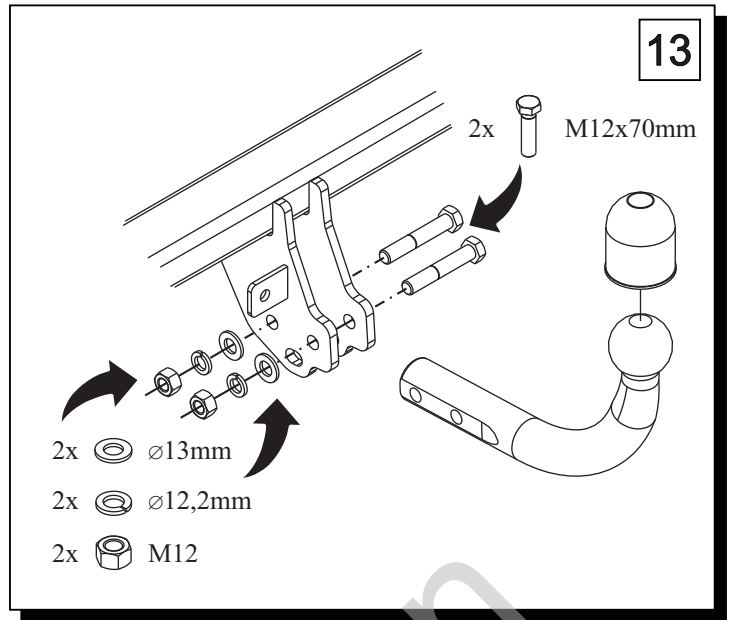
1		x1		8 M12x70	x2
2		x1		9 M12x35	x4
	Art.nr-KL1083			10 M10x50	x1
3		x1	11 M10x1.25x35	x6	
4		x1	12 M8x45	x1	
5		x1	13 \varnothing 13	x6	
	\varnothing 25x4mm L=8mm		14 \varnothing 30x \varnothing 10.5x2.5 10 (DIN 9021)	x6	
6		x1	15 \varnothing 10.5	x2	
	Art.nr-BL1083		16 \varnothing 8.4	x2	
7		x1	17 \varnothing 12.2	x6	
			18 \varnothing 10.2	x7	
			19 M12	x6	
			20 M10	x1	
			21 M8	x1	
			22	x1	



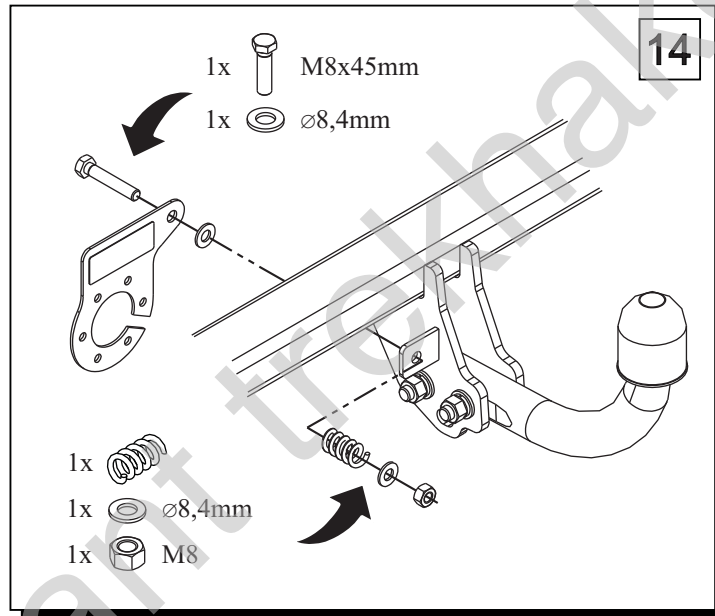




12



13



14

M6	-	11 Nm	M8	-	25 Nm
M10	-	50 Nm	M12	-	87 Nm
M14	-	138 Nm	M16	-	210 Nm

0 km → 1000 km