

# PPUH AUTO-HAK Sp.J.

Henryk & Zbigniew Nejman  
ul. Słoneczna 16K 76-200 SŁUPSK  
POLAND

tel/fax +48 059 8-414-414; 8-414-413

e-mail: [office@autohak.com.pl](mailto:office@autohak.com.pl)

[www.autohak.com.pl](http://www.autohak.com.pl)



# AUTO-HAK



**TOYOTA YARIS**  
(P13), ~~HYBRID~~

Cat. no:

**082**



10.2011 → 07.2014

e20

e20\*94/20\*1648\*00

**D**

6,8 kN



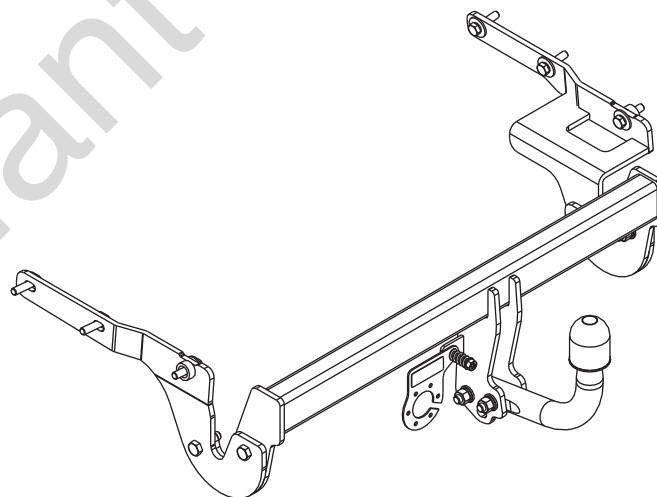
2h



R=1200 kg



S=75 kg



M6 - 11 Nm  
M10 - 50 Nm  
M14 - 138 Nm

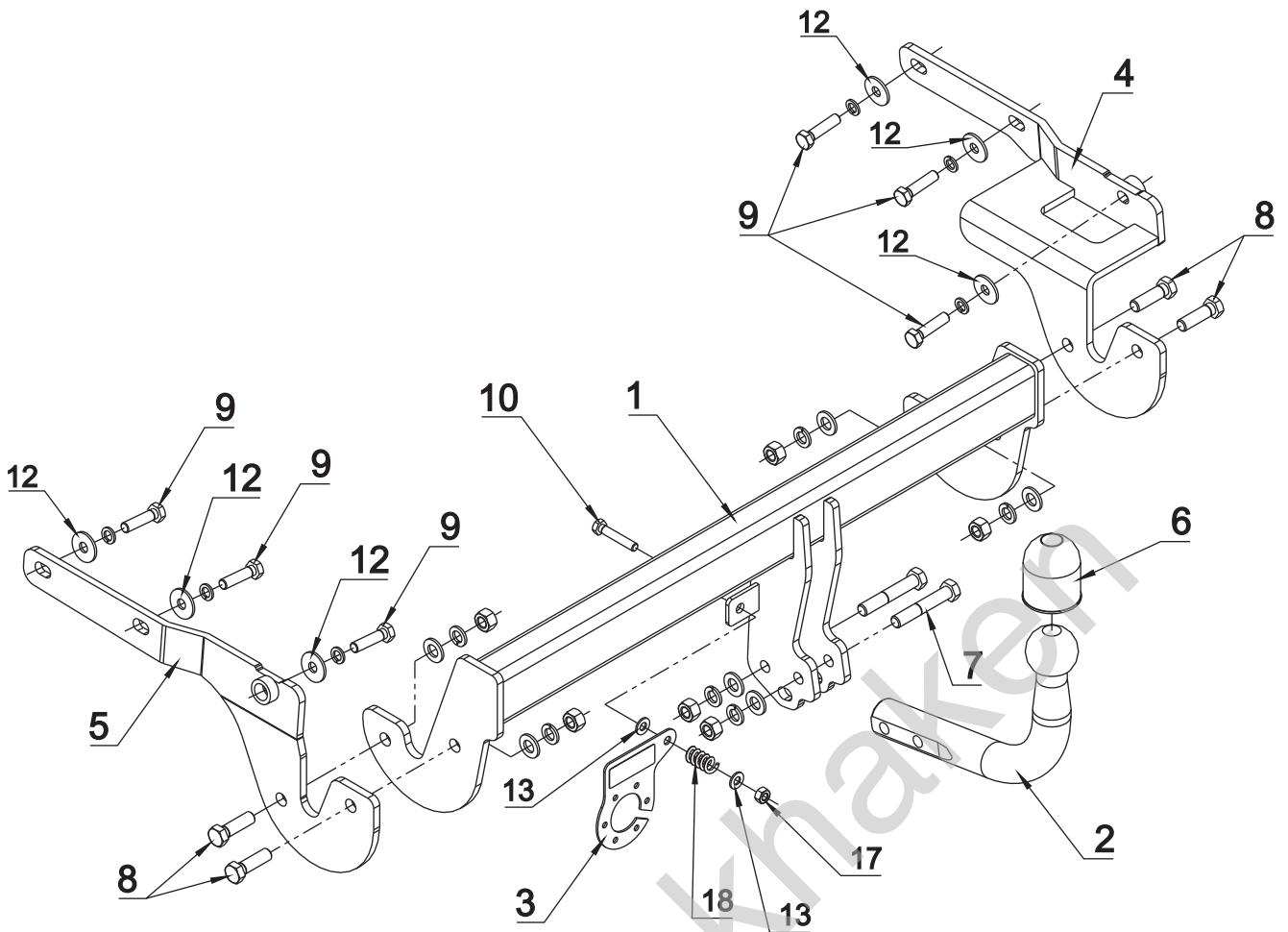
M8 - 25 Nm  
M12 - 87 Nm  
M16 - 210 Nm



0 km →



1000 km



1		x1		7	M12x70	x2
				8	M12x40	x4
2		x1		9	M10x1,25x40	x6
				10	M8x45	x1
3		x1		11	∅ 13	x6
				12	∅ 30x∅10.5x2.5 10 (DIN 9021)	x6
4		x1		13	∅ 8.4	x2
				14	∅ 12.2	x6
5		x1		15	∅ 10.2	x6
				16	M12	x6
6		x1		17	M8	x1
				18		x1

