

# PPUH AUTO-HAK Sp.J.

Henryk & Zbigniew Nejman  
ul. Słoneczna 16K 76-200 SŁUPSK  
POLAND

tel/fax +48 059 8-414-414; 8-414-413

e-mail: [office@autohak.com.pl](mailto:office@autohak.com.pl)

[www.autohak.com.pl](http://www.autohak.com.pl)



# AUTO-HAK



**TOYOTA URBAN  
CRUISER 4WD (P115)**

Cat. no:

**078**



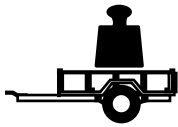
**04.2009 →**

**e20**

**e20\*94/20\*1273\*00**

**D**

**6,1 kN**



**R=980 kg**



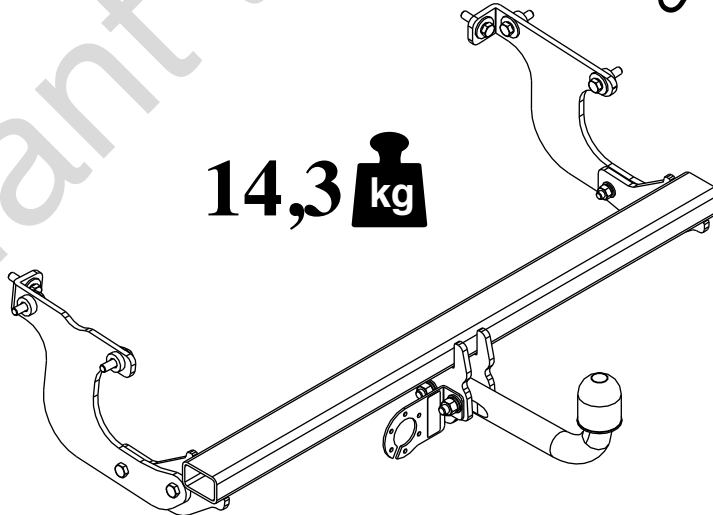
**S=50 kg**



**1,5h**



**14,3 kg**



**M6 - 8,5 Nm**  
**M10 - 41 Nm**  
**M14 - 112 Nm**

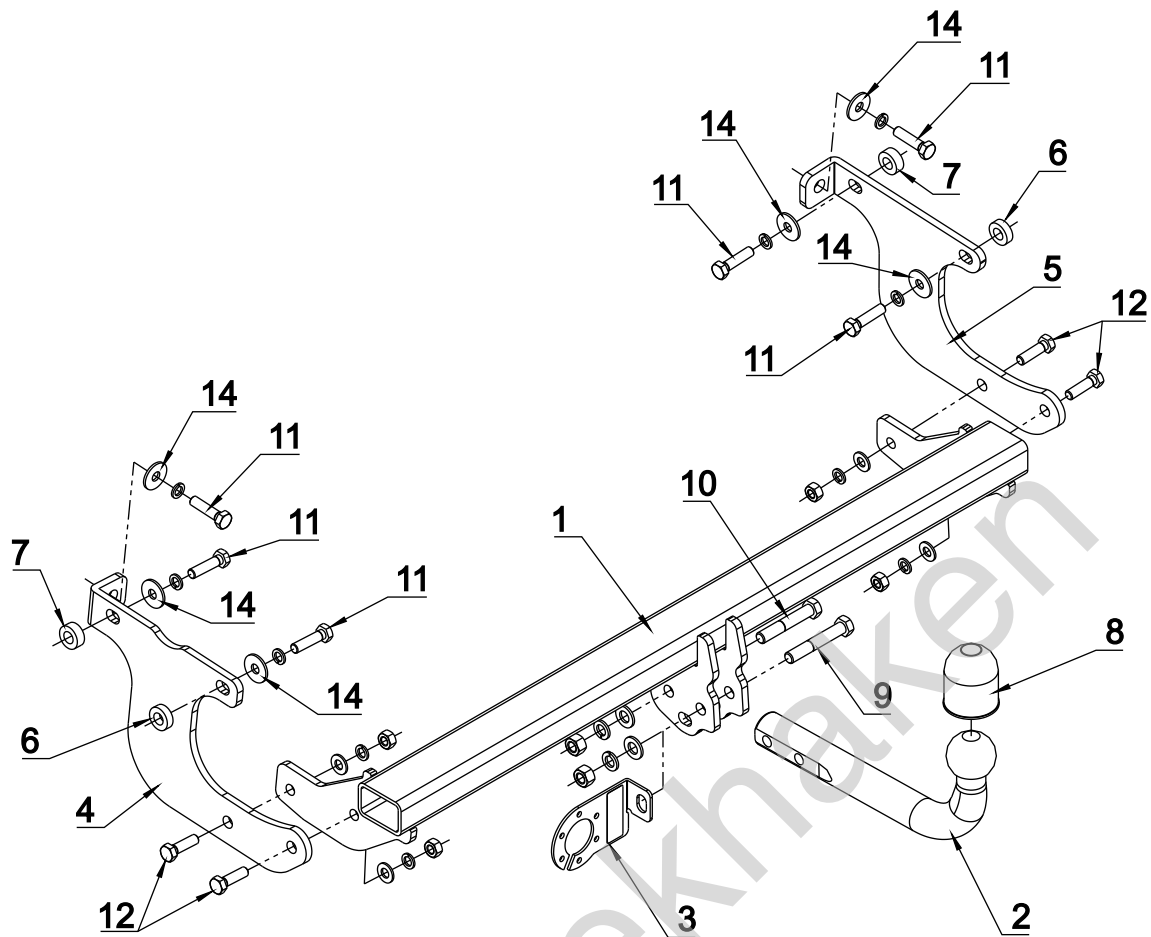
**M8 - 20 Nm**  
**M12 - 70 Nm**  
**M16 - 170 Nm**

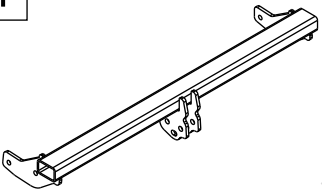





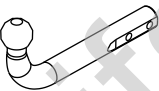

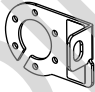


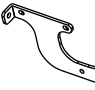





**0 km →**

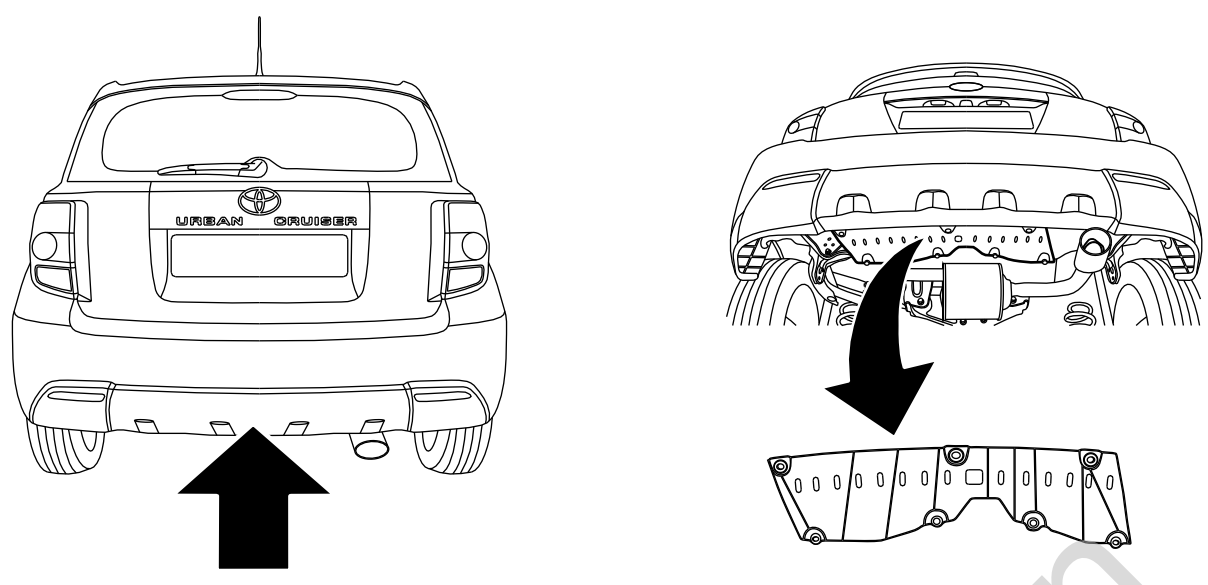


**1000 km**

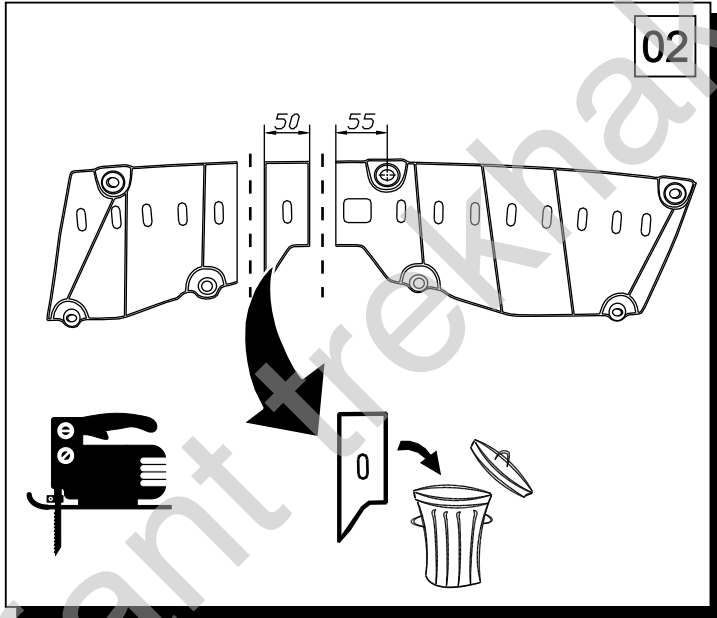


1		x1		9 M12x75	x1
				10 M12x70	x1
				11 M10x1.25x40	x6
				12 M10x35	x4
				13 $\varnothing$ 13	x2
2		x1 Art.nr-KL1078		14 $\varnothing$ 30x $\varnothing$ 10.5x2.5 10 (DIN 9021)	x6
3		x1 Art.nr-BL1078		15 $\varnothing$ 10.5	x4
4		x1		16 $\varnothing$ 12.2	x2
5		x1		17 $\varnothing$ 10.2	x10
				18 M12	x2
				19 M10	x4
6		x2 $\varnothing$ 25x $\varnothing$ 13mm, L=8mm			
7		x2 $\varnothing$ 25x $\varnothing$ 13mm, L=10mm			
8		x1			

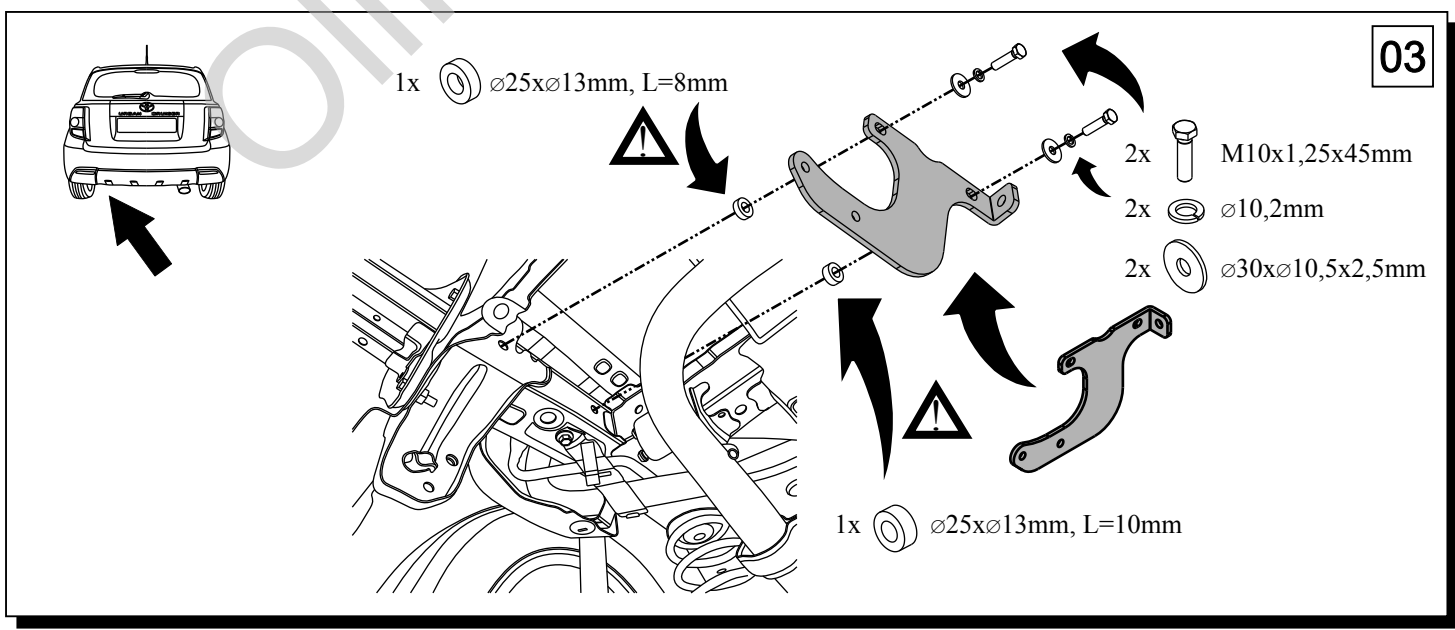
01

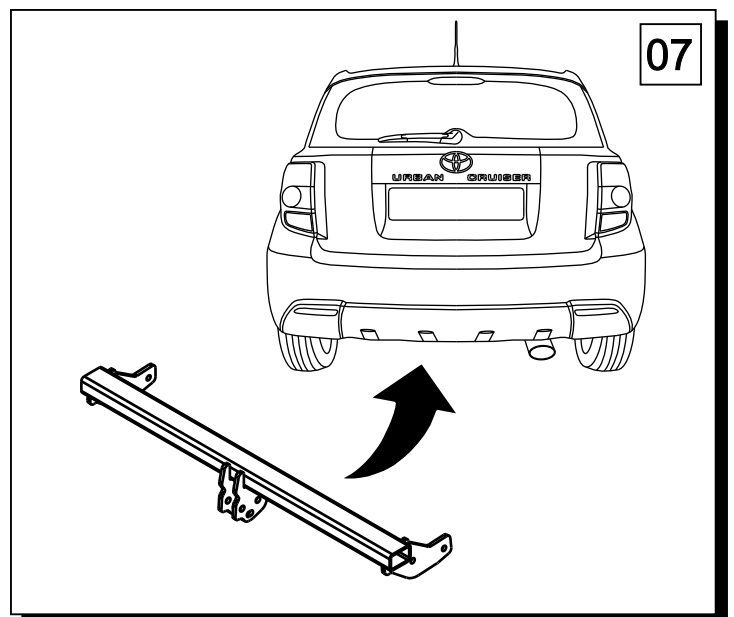
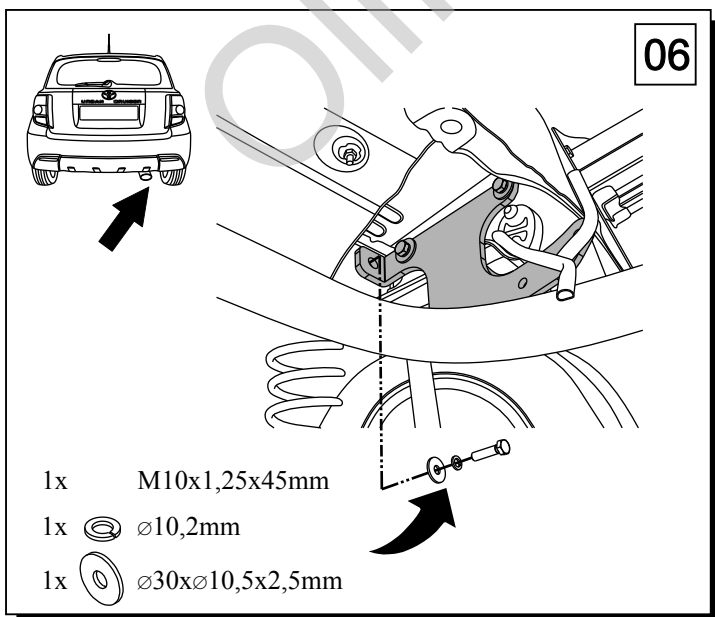
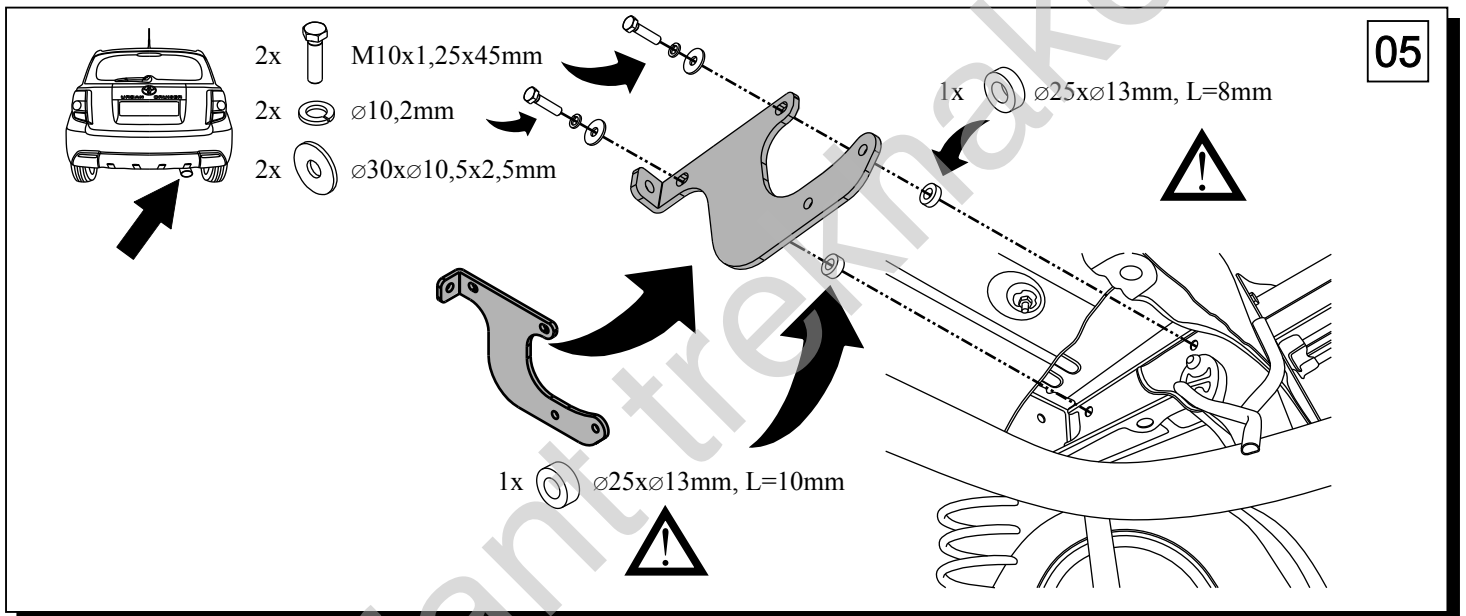
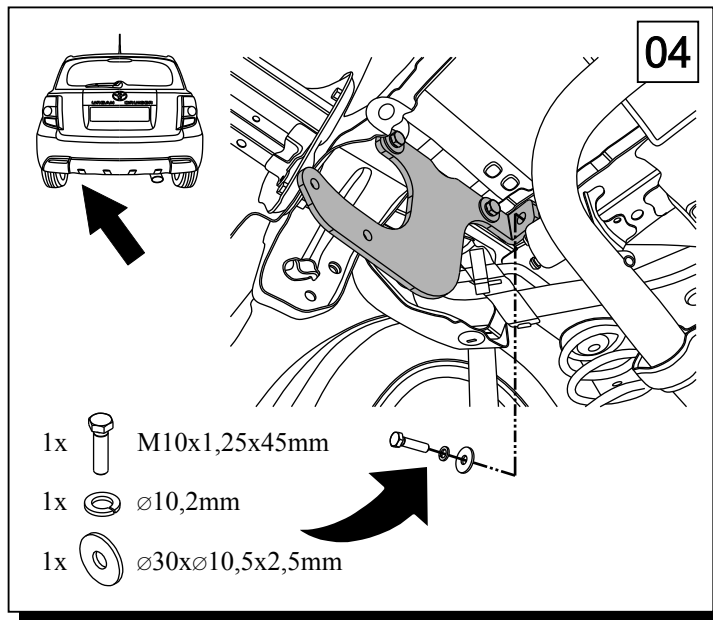


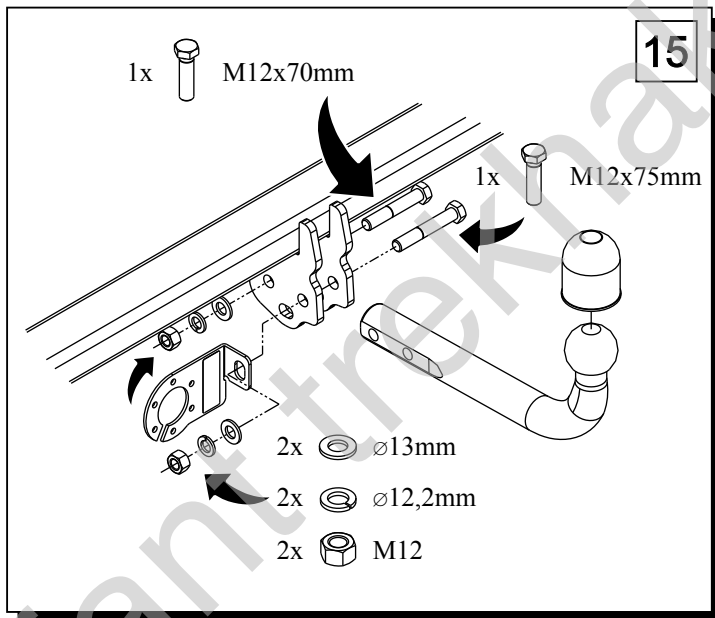
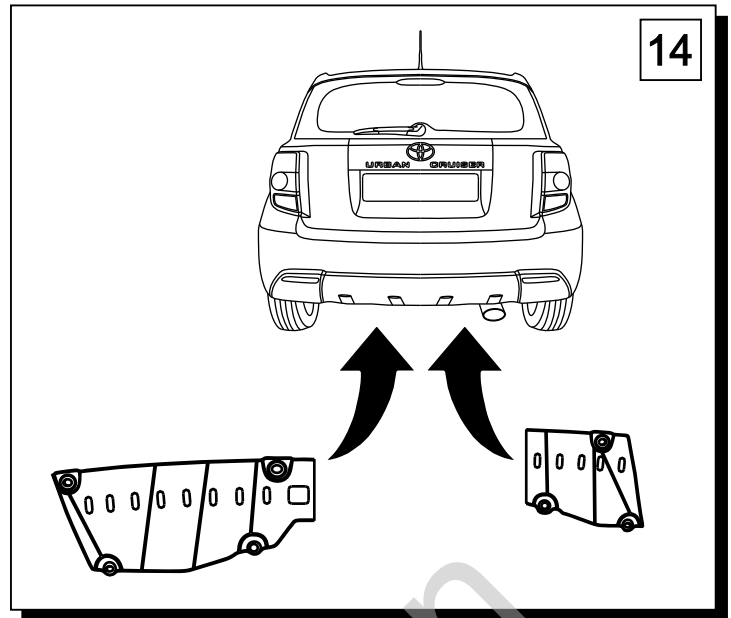
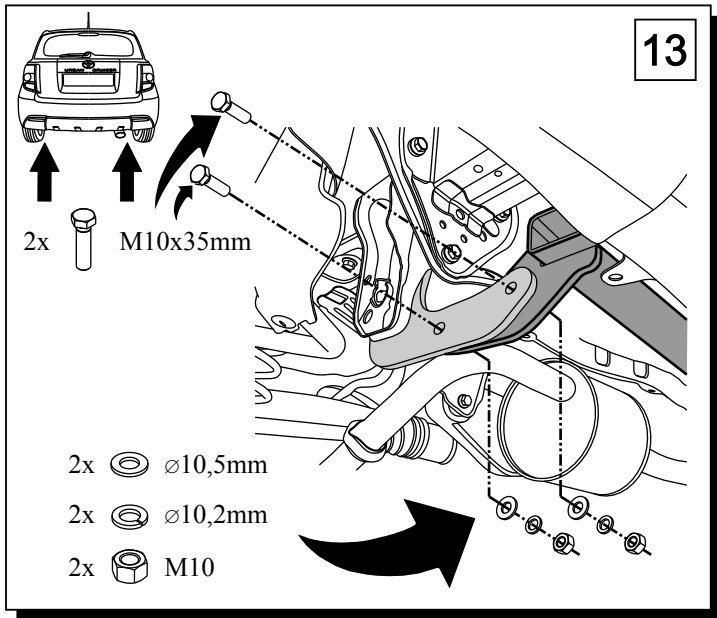

02






03





<b>M6</b>	-	11 Nm	<b>M8</b>	-	25 Nm
<b>M10</b>	-	50 Nm	<b>M12</b>	-	87 Nm
<b>M14</b>	-	138 Nm	<b>M16</b>	-	210 Nm


**0 km**


**1000 km**