

AUTO-HAK Sp. z o.o.

ul. Słoneczna 16K 76-200 SŁUPSK
POLAND

tel/fax +48 59 8 414 414; +48 59 8 414 413

e-mail: office@autohak.com.pl

www.autohak.com.pl



AUTO-HAK

TOYOTA URBAN CRUISER 2WD (P110)

Cat. no:

O77A



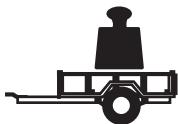
04.2009 →

e20

e20*94/20*1116*00

D

6,1 kN



R=980 kg



S=50 kg



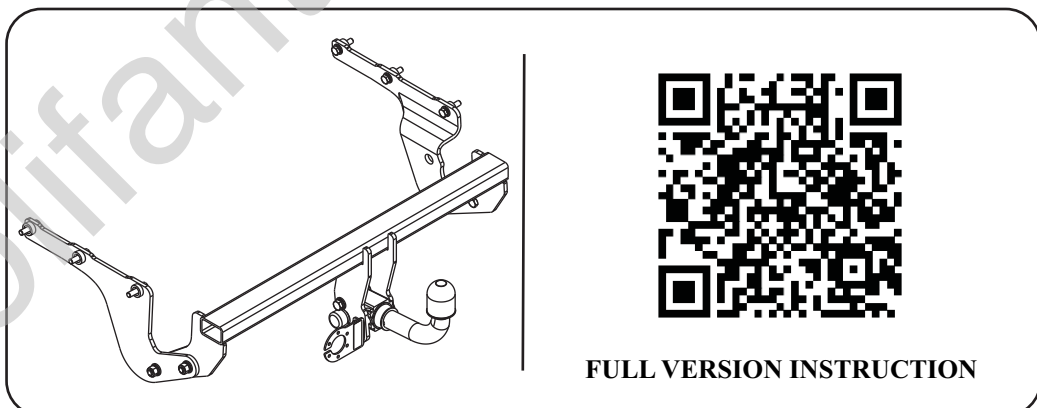
1,5h



-



-



FULL VERSION INSTRUCTION



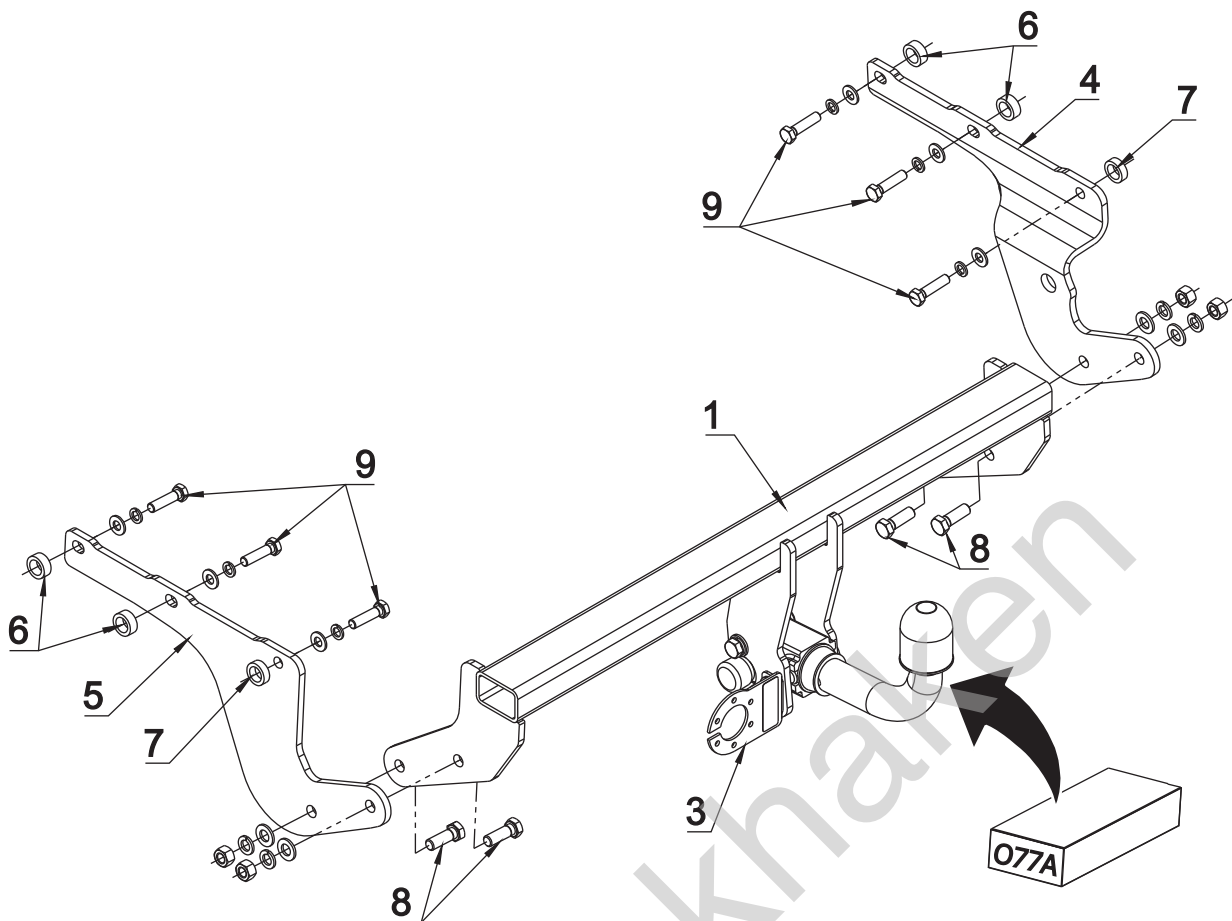
śruba	Nm	M6	M8	M10	M12	M14	M16
klasa 8.8		9,9	24	48	83	132	200
klasa 10.9		14	34	67	117	185	285



0 km →



1000 km



1		x1		8	M12x35	x4
				9	M10x1.25x40	x6
				10	∅ 13	x4
				11	∅ 10.5	x6
				12	∅ 12.2	x4
				13	∅ 10.2	x6
				14	M12	x4
2		x1	Art.nr-KL1077A Art.nr-Z100			
3		x1	Art.nr-BL1077A			
4		x1				
5		x1				
6		x4	∅25x4, L=10mm			
7		x2	∅25x4, L=8mm			

