

# AUTO-HAK Sp. z o.o.

ul. Słoneczna 16K 76-200 SŁUPSK  
POLAND

tel/fax +48 59 8 414 414; +48 59 8 414 413

e-mail: [office@autohak.com.pl](mailto:office@autohak.com.pl)

[www.autohak.com.pl](http://www.autohak.com.pl)



# AUTO-HAK

## TOYOTA URBAN CRUISER 2WD (P110)

Cat. no:

**077**



04.2009 →

e20

e20\*94/20\*1117\*00

**D**

6,1 kN



1,5h



R=980 kg



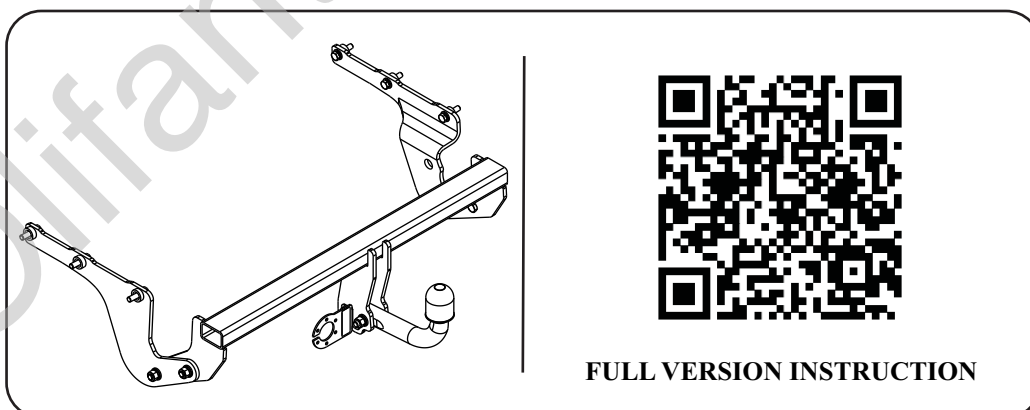
—



S=50 kg



—



FULL VERSION INSTRUCTION



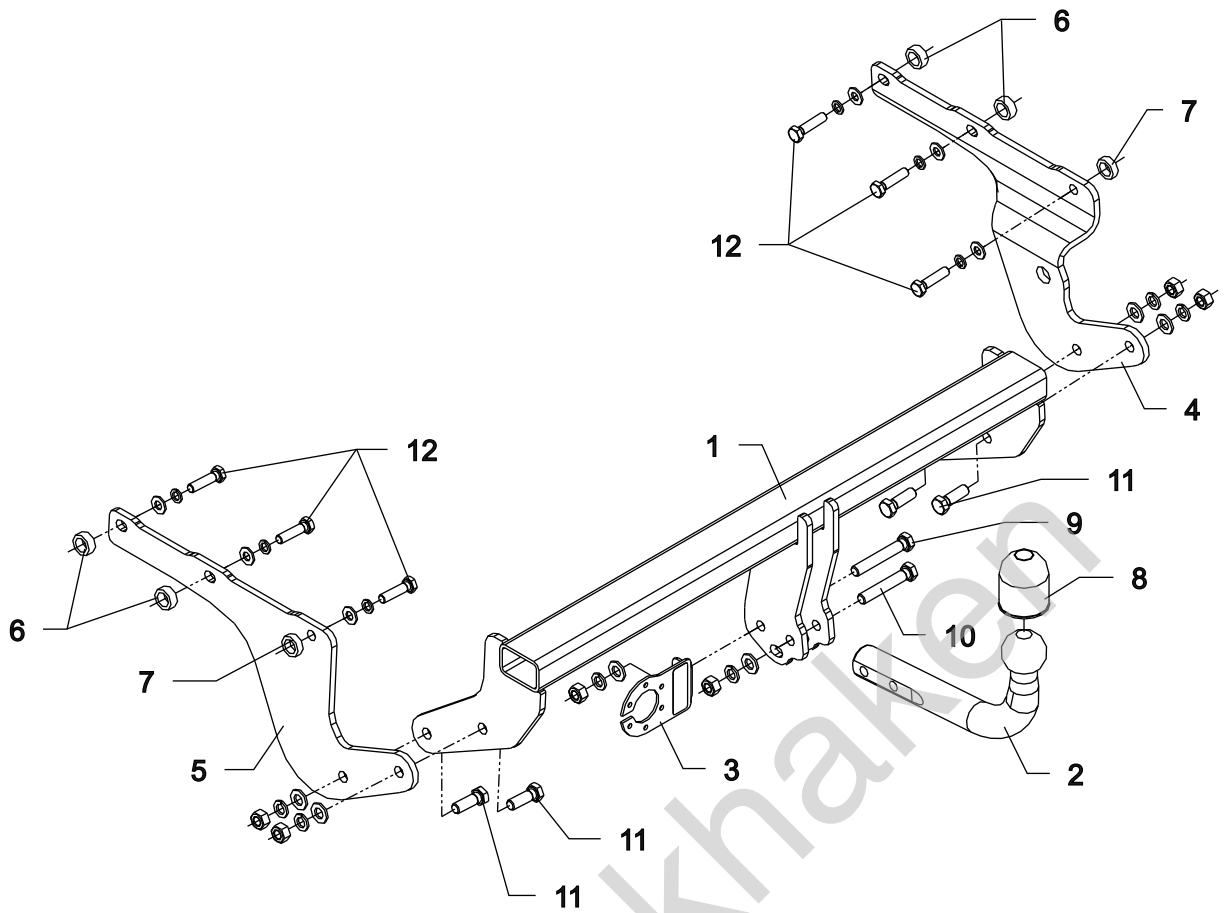
śruba	Nm	M6	M8	M10	M12	M14	M16
klasa 8.8		9,9	24	48	83	132	200
klasa 10.9		14	34	67	117	185	285

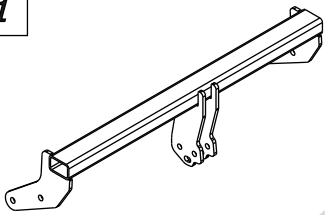





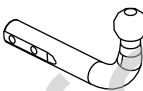

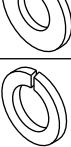
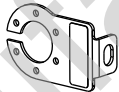






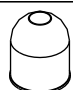


0 km →



1000 km



<b>1</b>		<b>x1</b>		<b>9</b> M12x75	<b>x1</b>
				<b>10</b> M12x70	<b>x1</b>
				<b>11</b> M12x35	<b>x4</b>
				<b>12</b> M10x1.25x40	<b>x6</b>
				<b>13</b> M12	<b>x6</b>
<b>2</b>		<b>x1</b>		<b>14</b> $\phi$ 13	<b>x6</b>
	Art.nr-KL1077			<b>15</b> $\phi$ 10.5	<b>x6</b>
<b>3</b>		<b>x1</b>		<b>16</b> $\phi$ 12.2	<b>x6</b>
	Art.nr-BL1077			<b>17</b> $\phi$ 10.2	<b>x6</b>
<b>4</b>		<b>x1</b>			
<b>5</b>		<b>x1</b>			
<b>6</b>		<b>x4</b>			
	$\phi$ 25x4, L=10mm				
<b>7</b>		<b>x2</b>			
	$\phi$ 25x4, L=8mm				
<b>8</b>		<b>x1</b>			

