

PPUH AUTO-HAK Sp.J.

Henryk i Zbigniew Nejman
ul. Słoneczna 16K 76-200 SŁUPSK
POLAND

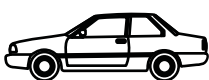
tel/fax +48 59 8 414 414; +48 59 8 414 413

e-mail: office@autohak.com.pl

www.autohak.com.pl



AUTO-HAK



TOYOTA AVENSIS KOMBI (T27)

Cat. no:

074A



01.2009 → 04.2015

05.2015 →



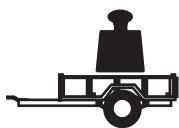
E20-55R-01 4187



2,5h

D

10,1 kN



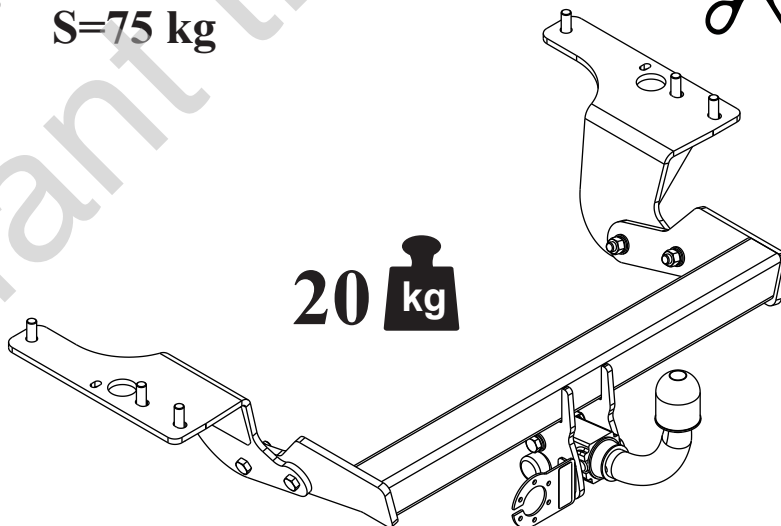
R=2000 kg



S=75 kg



20 kg



M6 - 11 Nm
M10 - 50 Nm
M14 - 138 Nm

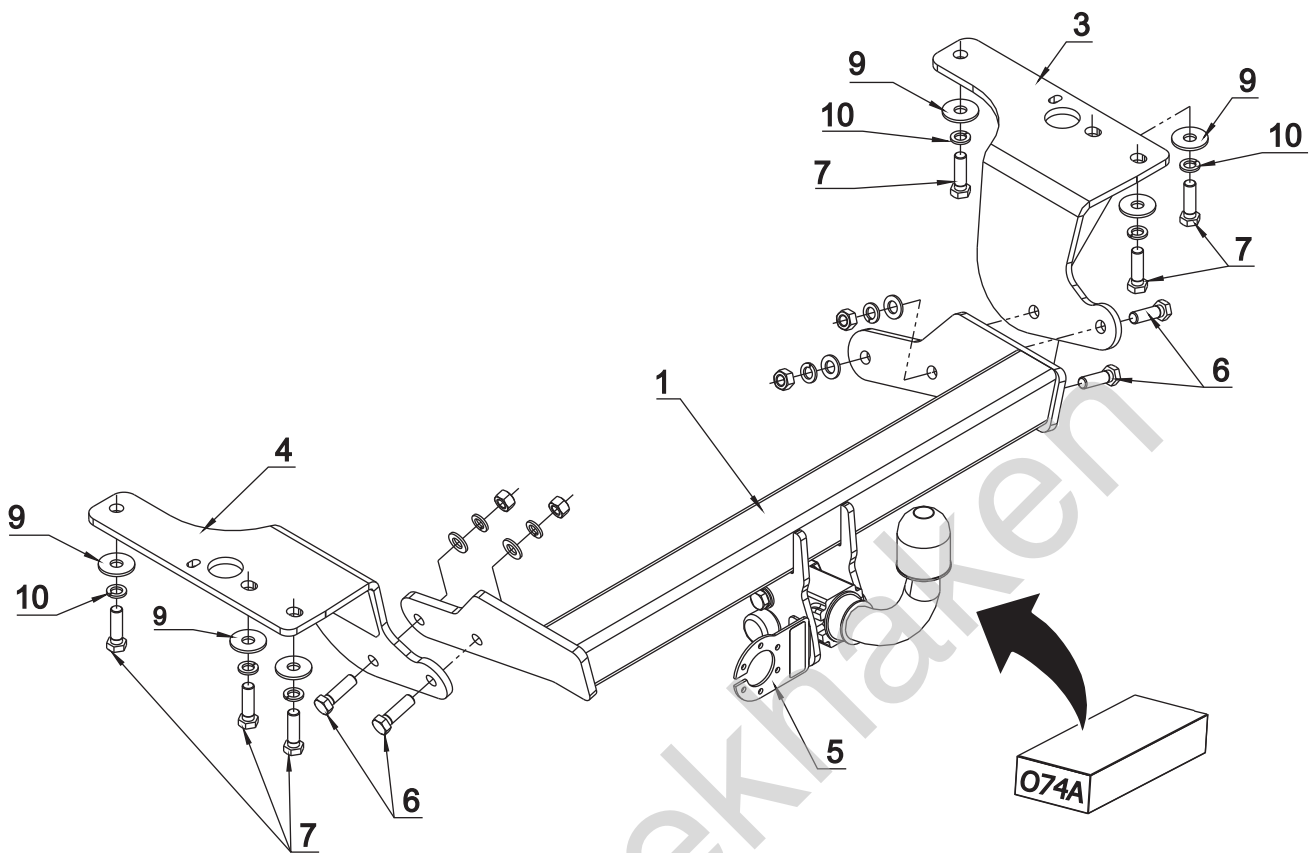
M8 - 25 Nm
M12 - 87 Nm
M16 - 210 Nm

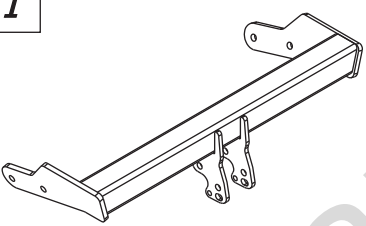

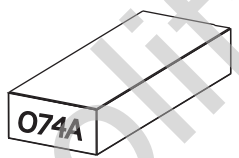

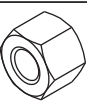


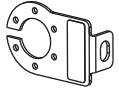


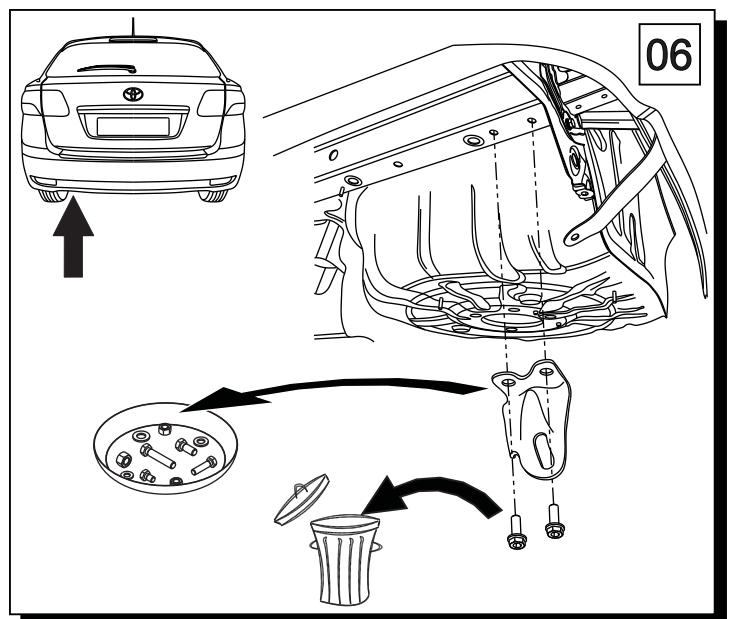
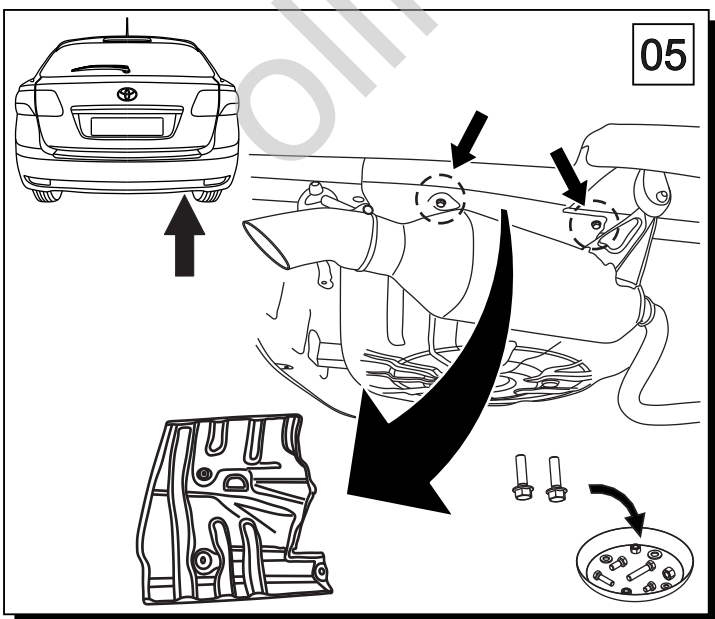
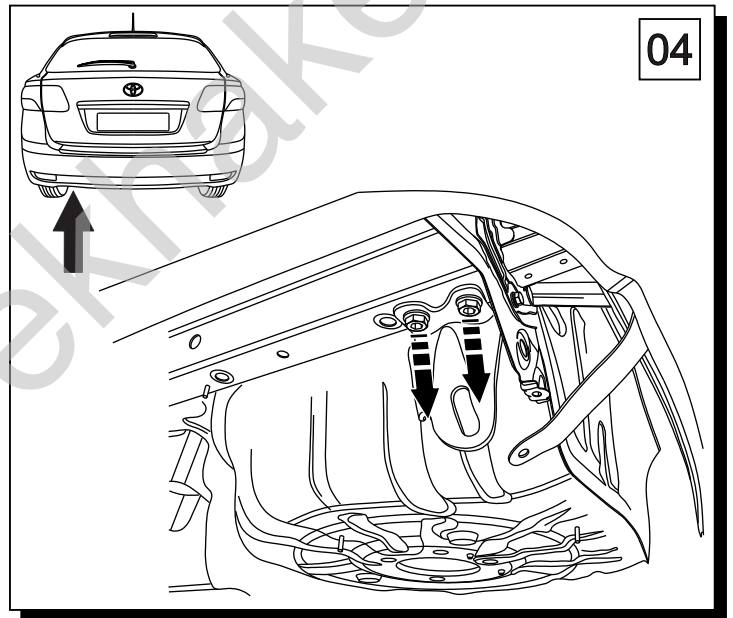
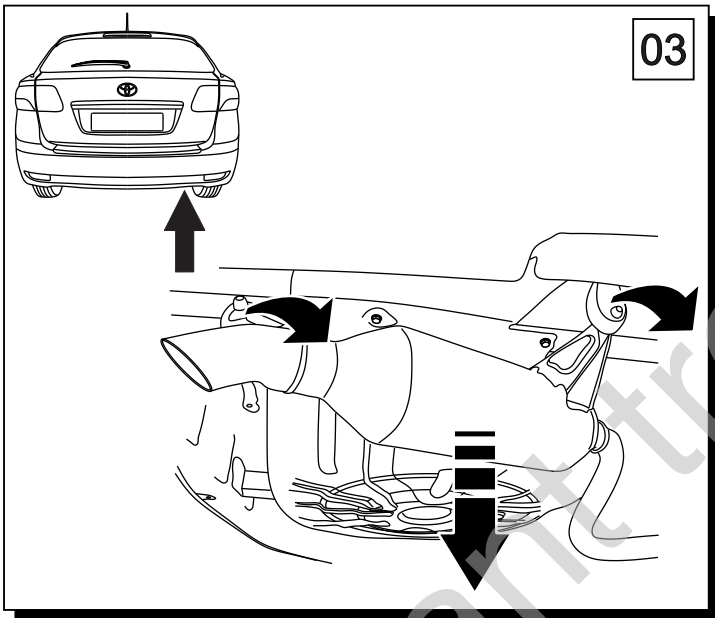
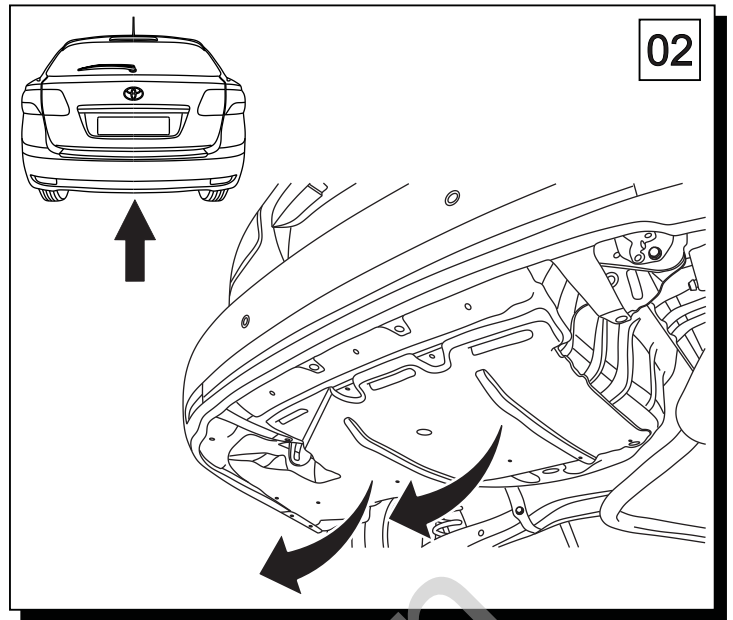
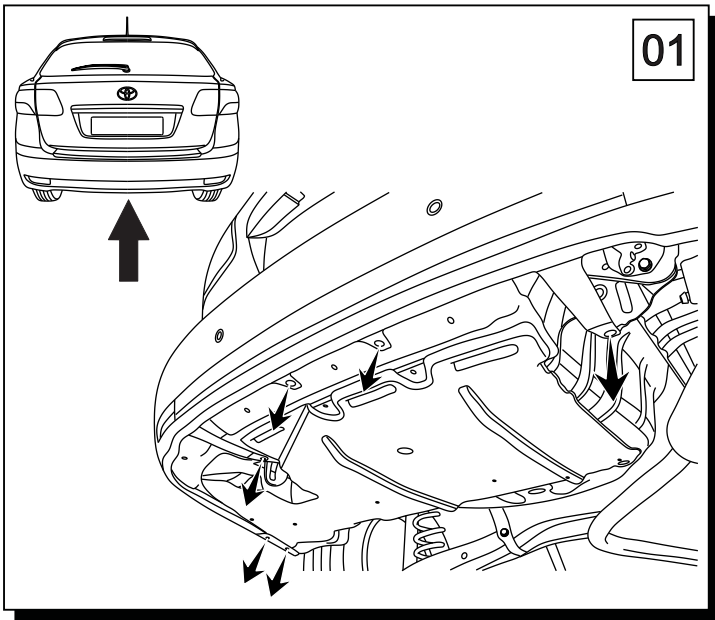
0 km →

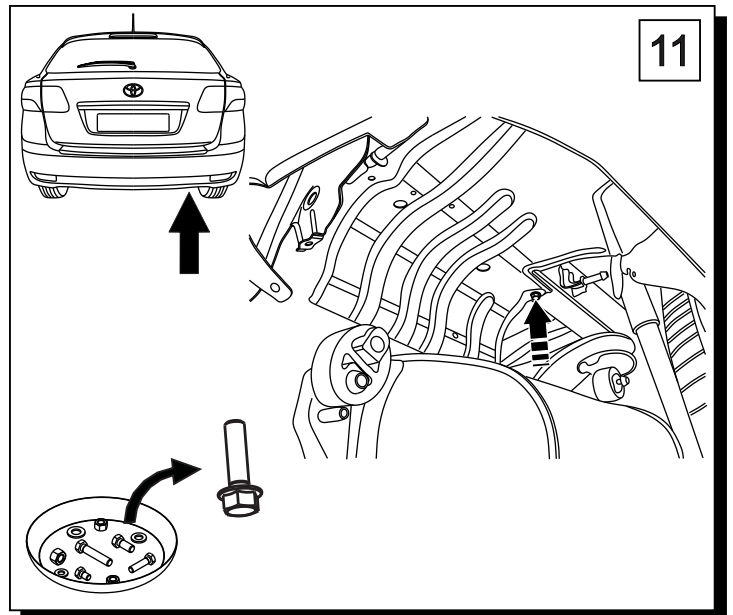
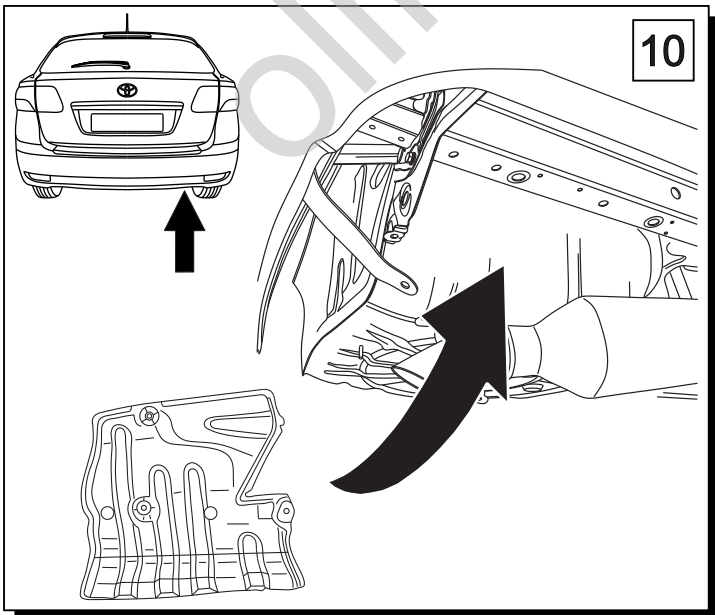
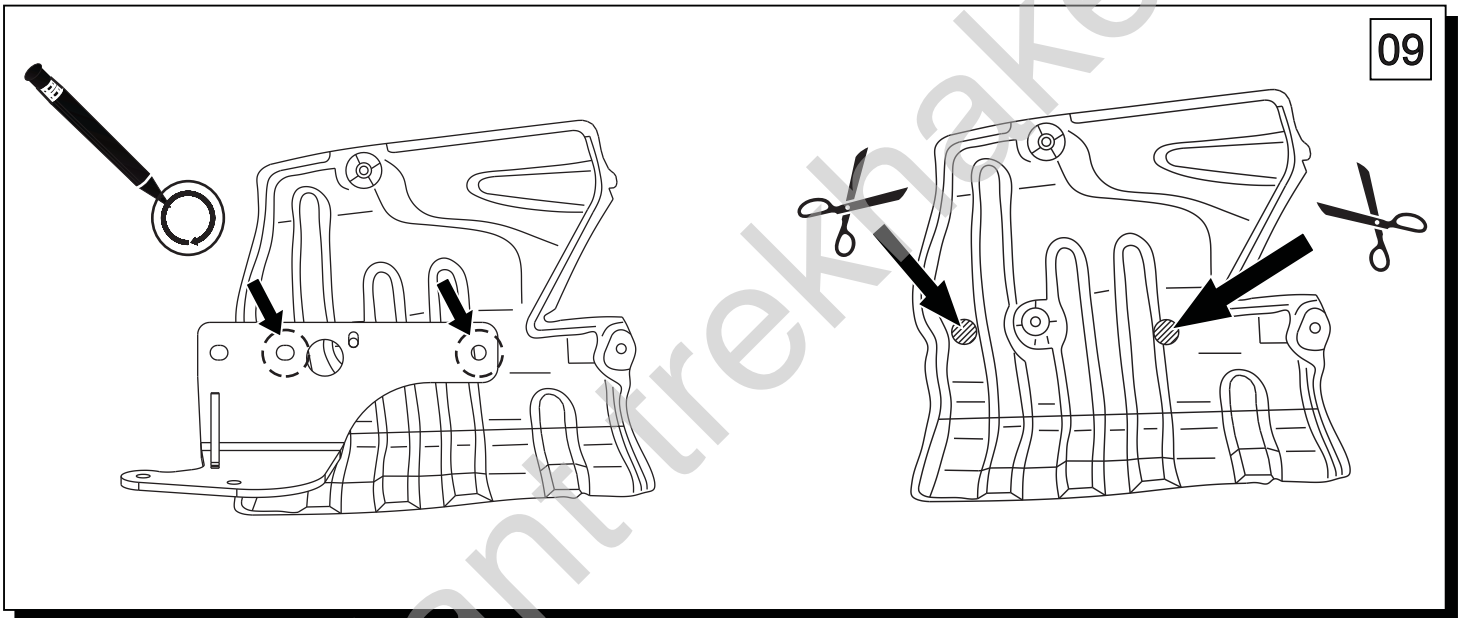
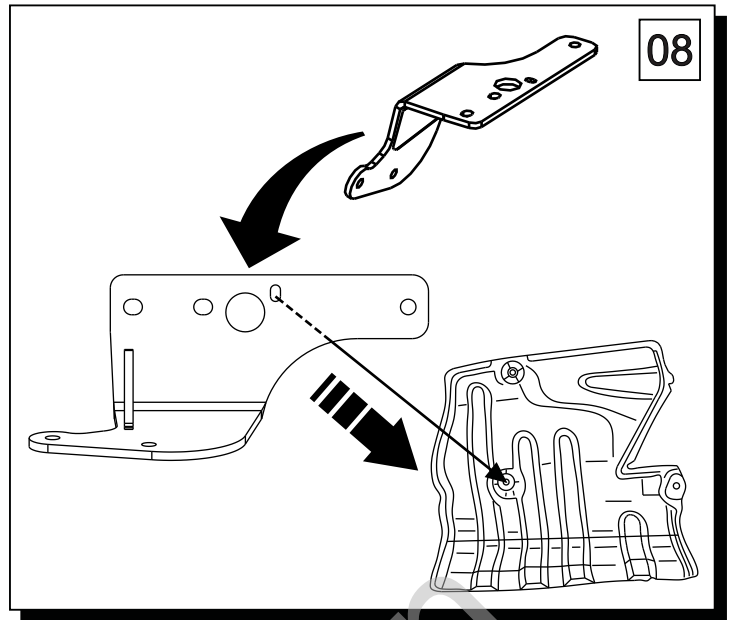
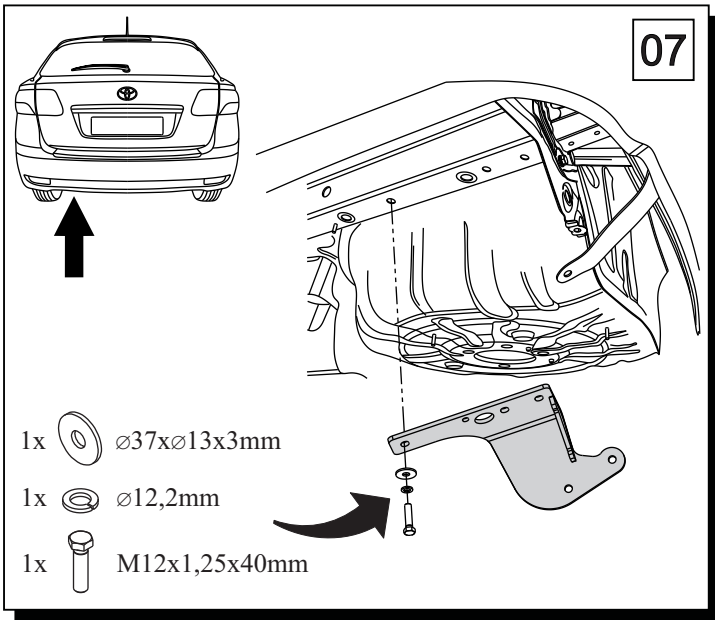


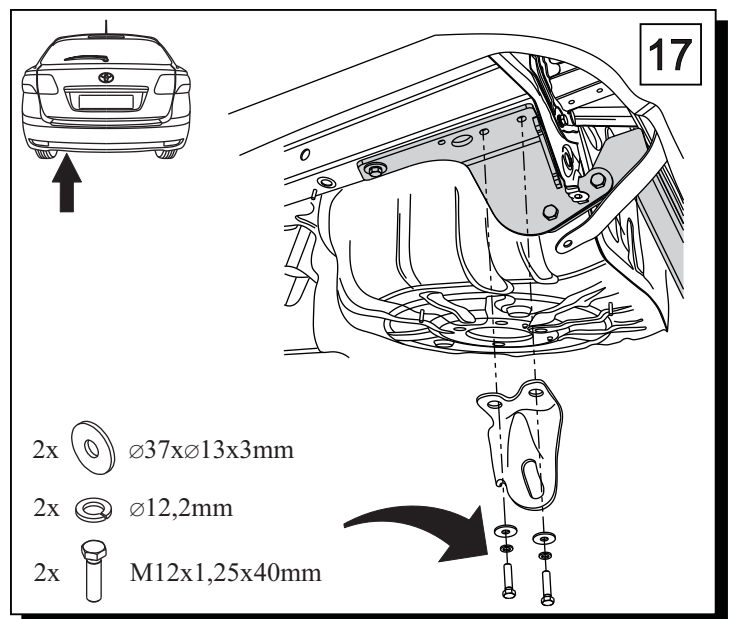
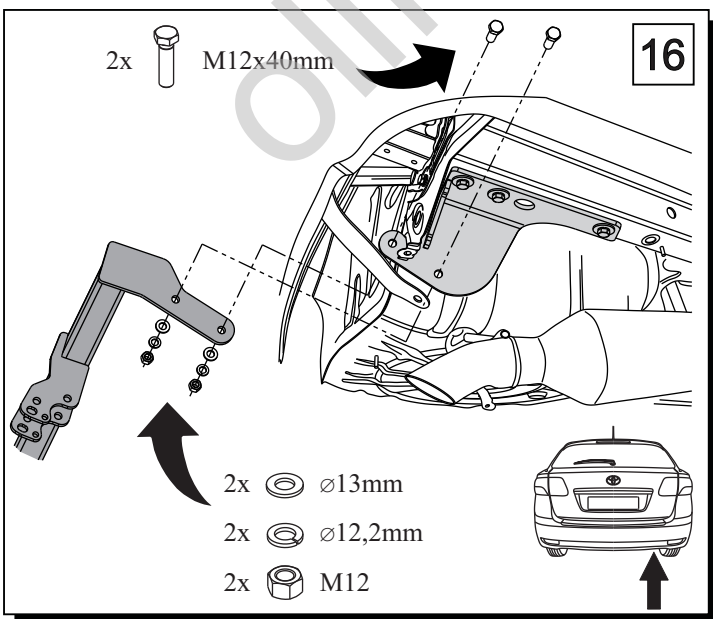
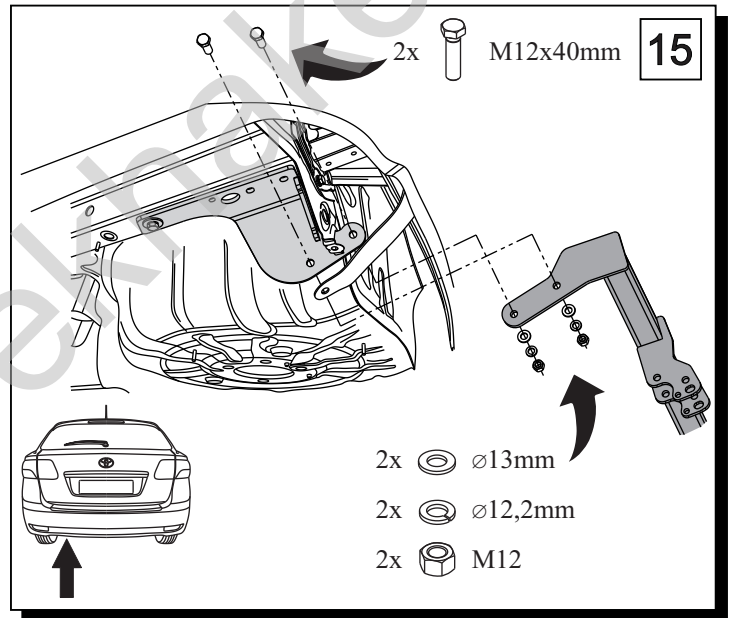
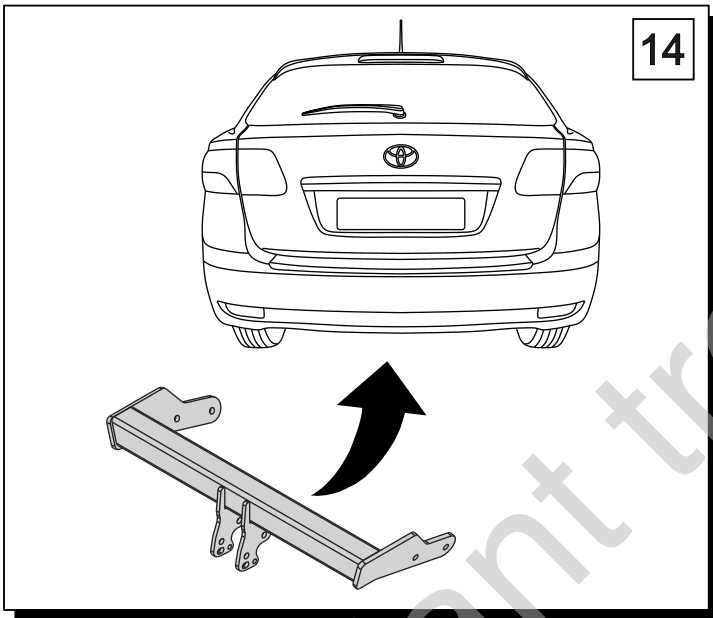
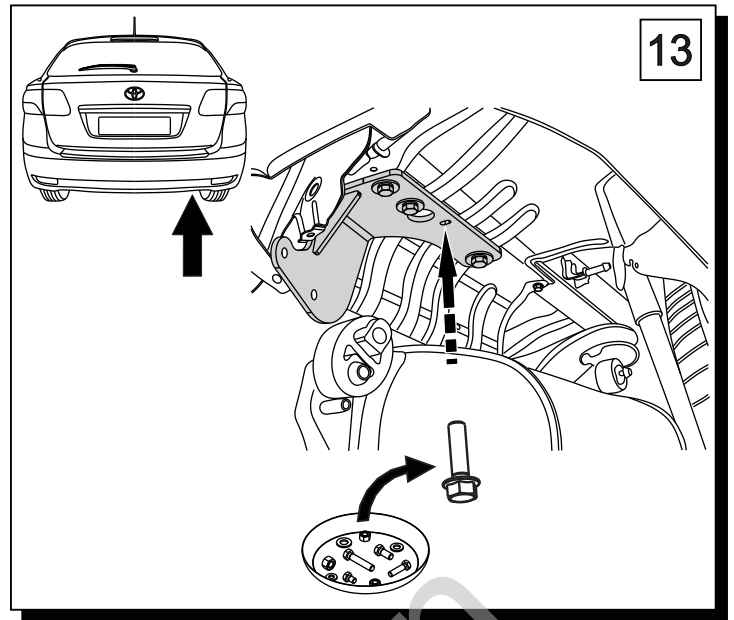
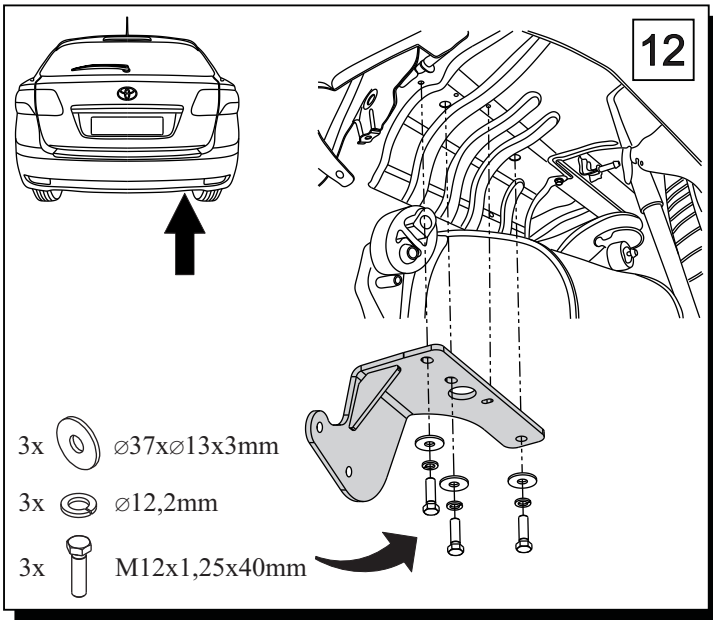
1000 km

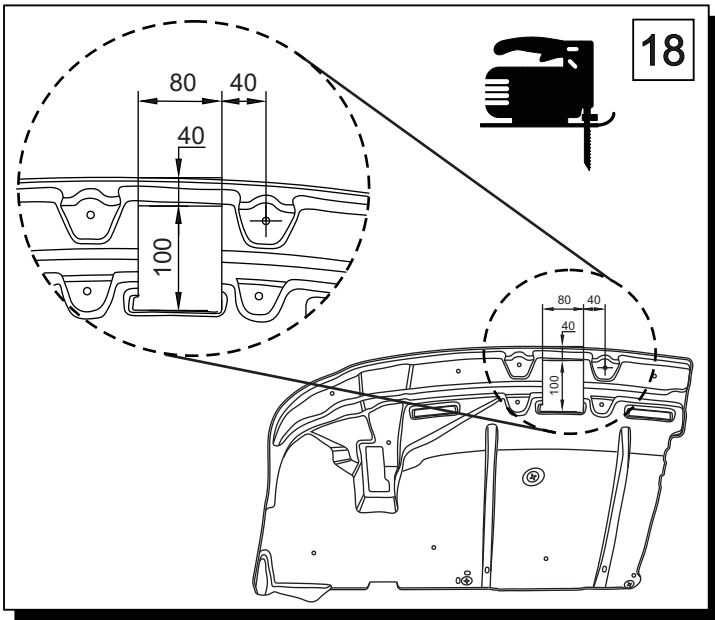


1 	x1		6 M12x40	x4
			7 M12x1,25x40	x6
2  Art.nr-KL1074A Art.nr-Z100	x1		8 \varnothing 13	x4
			9 \varnothing 37x \varnothing 13x3 13 DIN 9021	x6
			10 \varnothing 12.2	x10
			11 M12	x4
3 	x1			
4 	x1			
5 	x1 Art.nr-BL1074A			

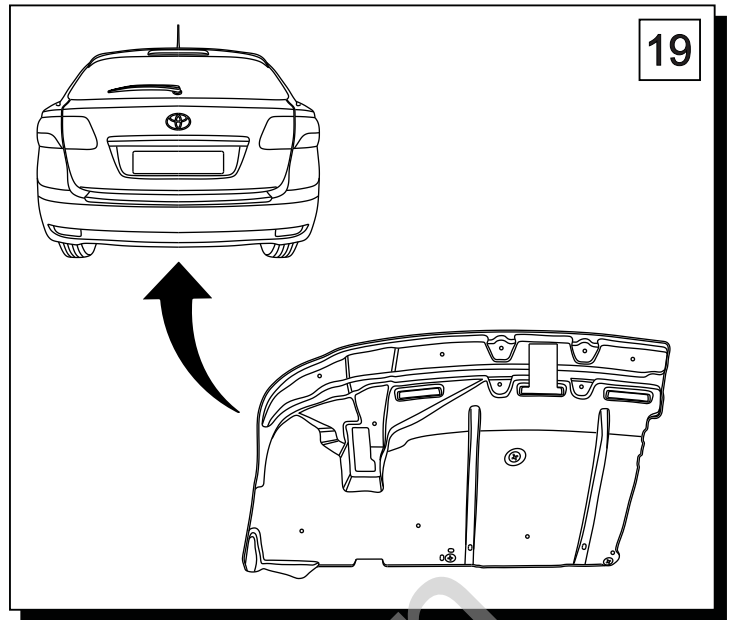




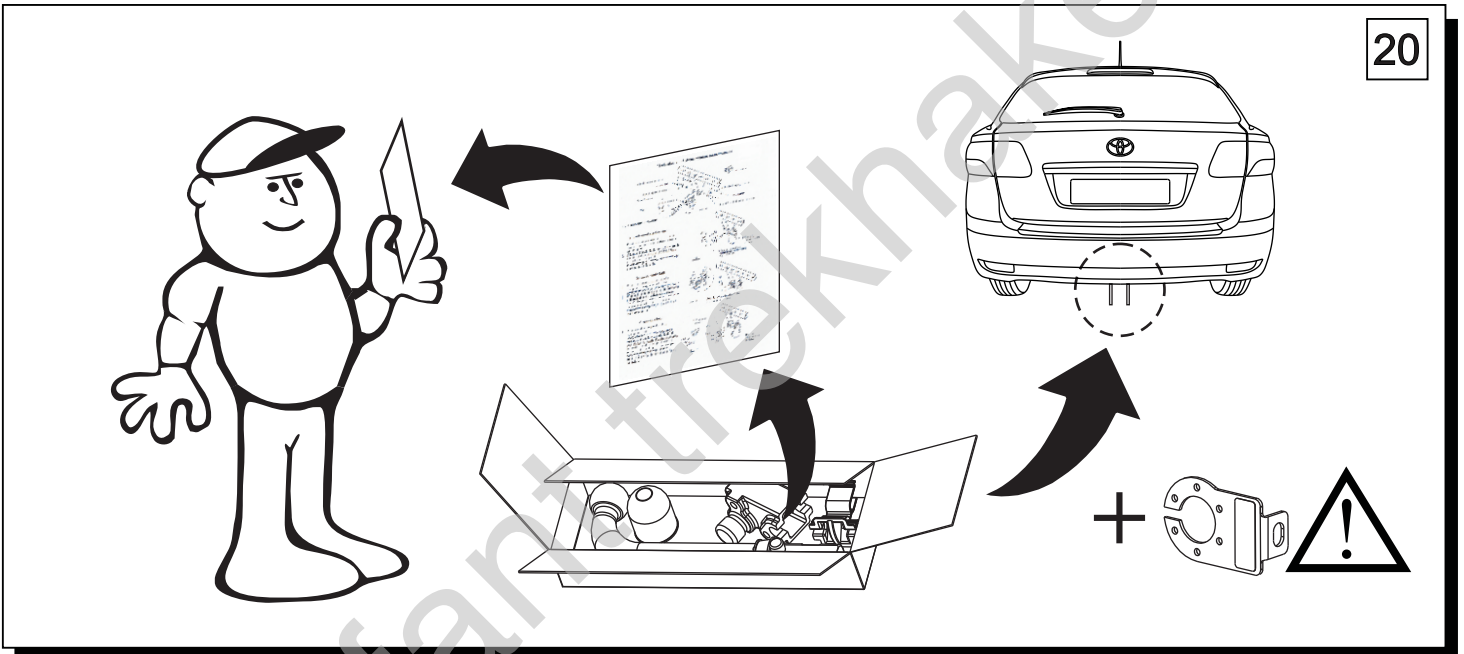







18



19



20

	M6 - 11 Nm	M8 - 25 Nm
	M10 - 50 Nm	M12 - 87 Nm
	M14 - 138 Nm	M16 - 210 Nm
	 0 km →  1000 km	