

PPUH AUTO-HAK Sp.J.

Henryk i Zbigniew Nejman
ul. Słoneczna 16K 76-200 SŁUPSK
POLAND

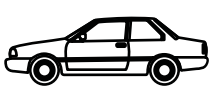
tel/fax +48 59 8 414 414; +48 59 8 414 413

e-mail: office@autohak.com.pl

www.autohak.com.pl



AUTO-HAK



TOYOTA AVENSIS 4D (T27)

Cat. no:

073A



01.2009 → 04.2015

05.2015 →



E20-55R-01 4438



10,1 kN



R=2000 kg



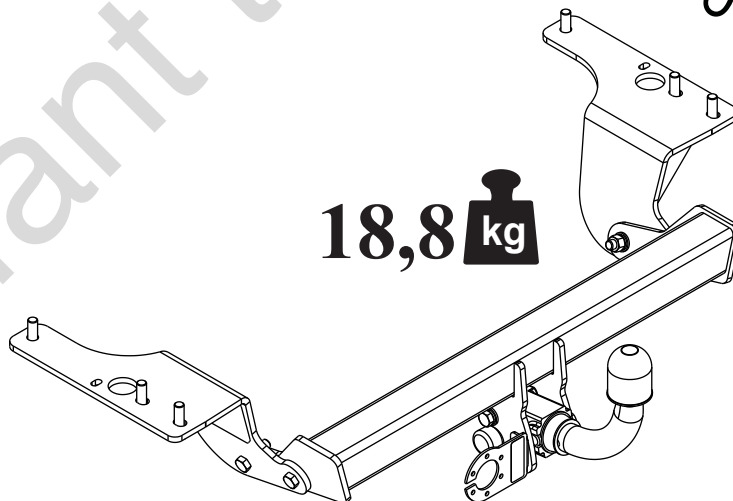
S=75 kg



2,5h



18,8 kg



M6 - 11 Nm
M10 - 50 Nm
M14 - 138 Nm

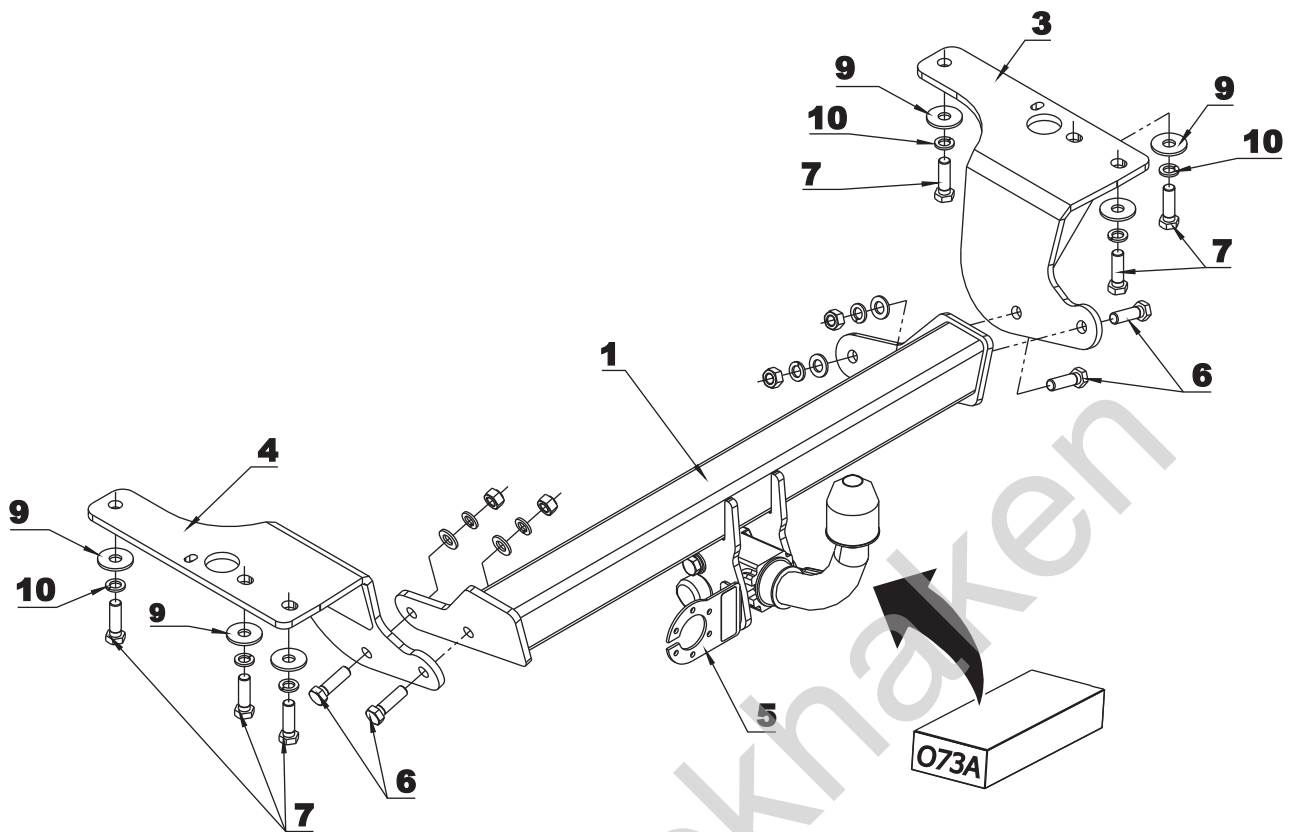
M8 - 25 Nm
M12 - 87 Nm
M16 - 210 Nm



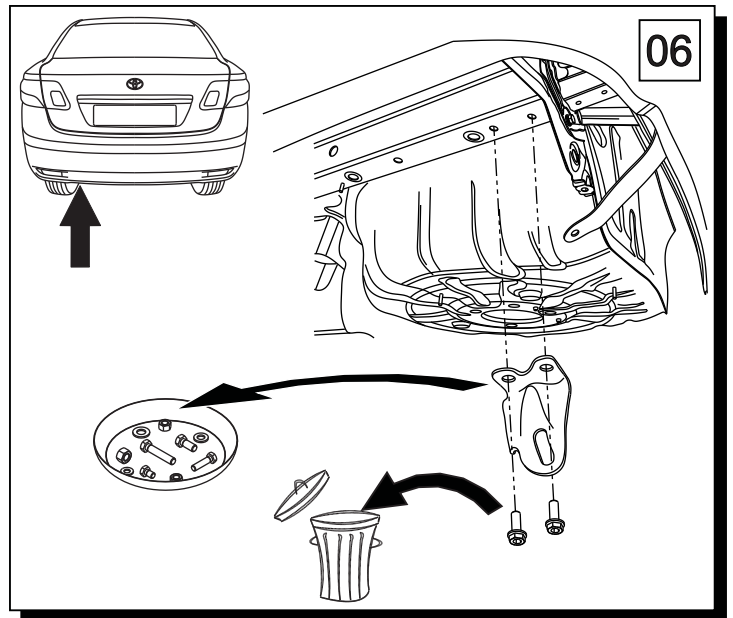
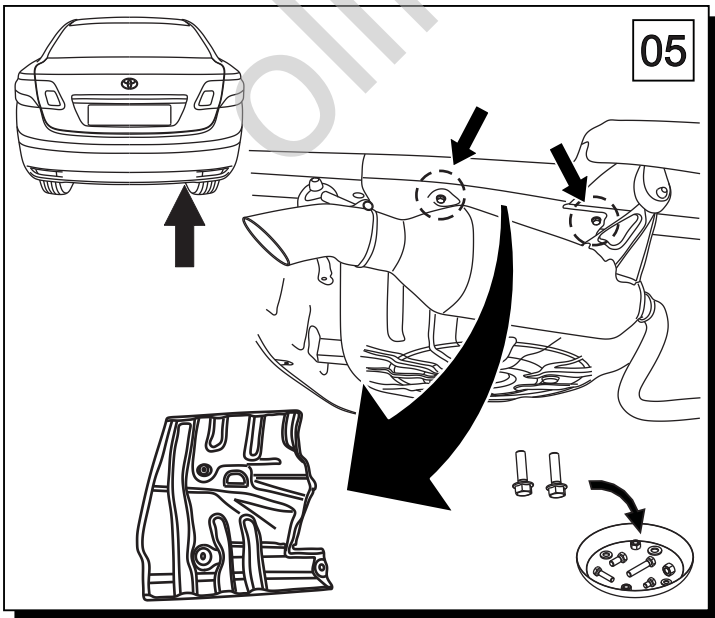
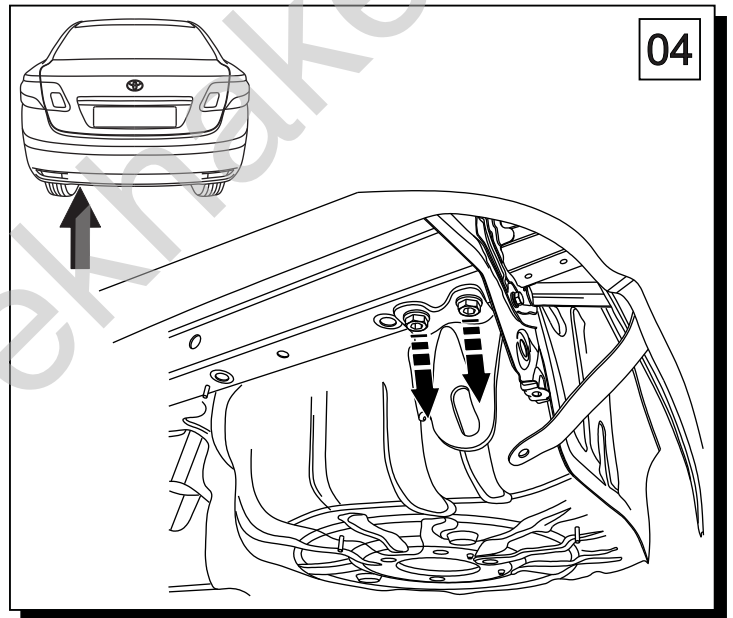
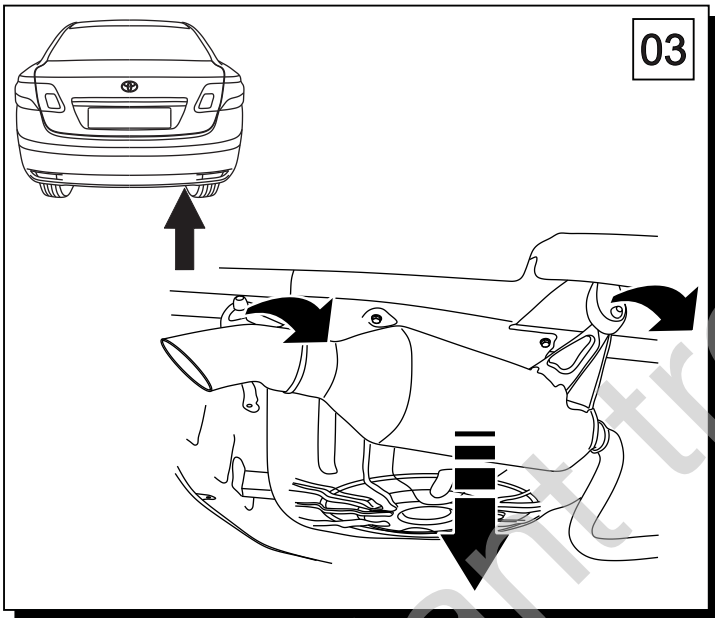
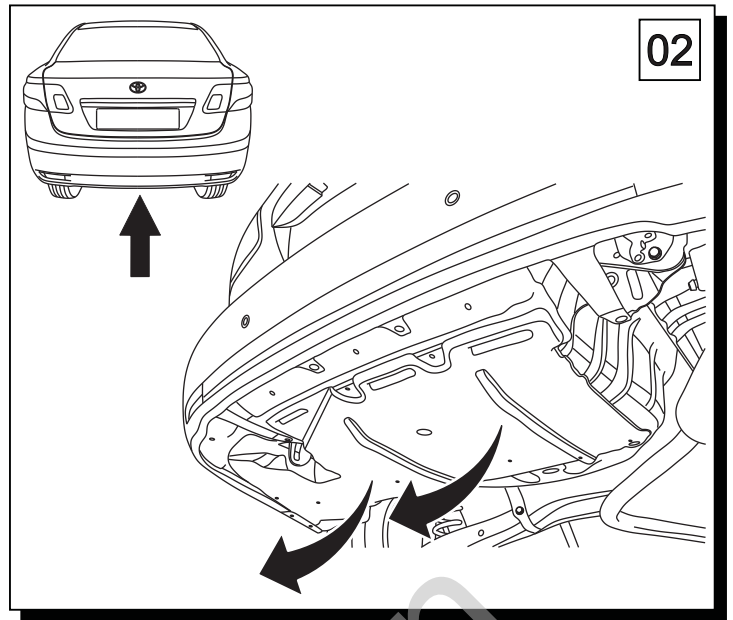
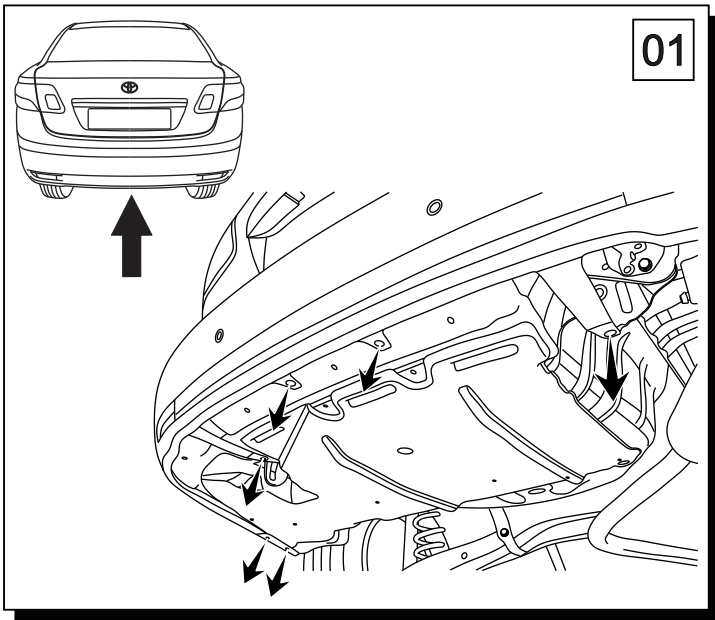
0 km →

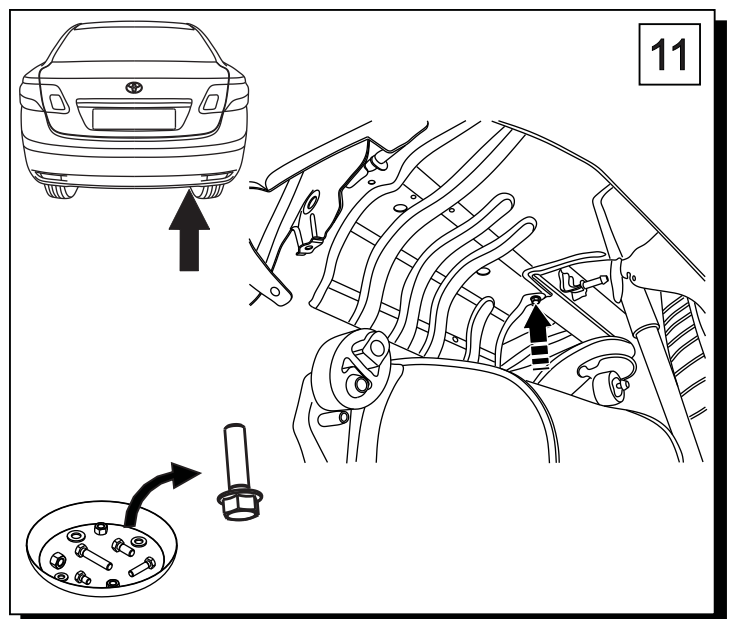
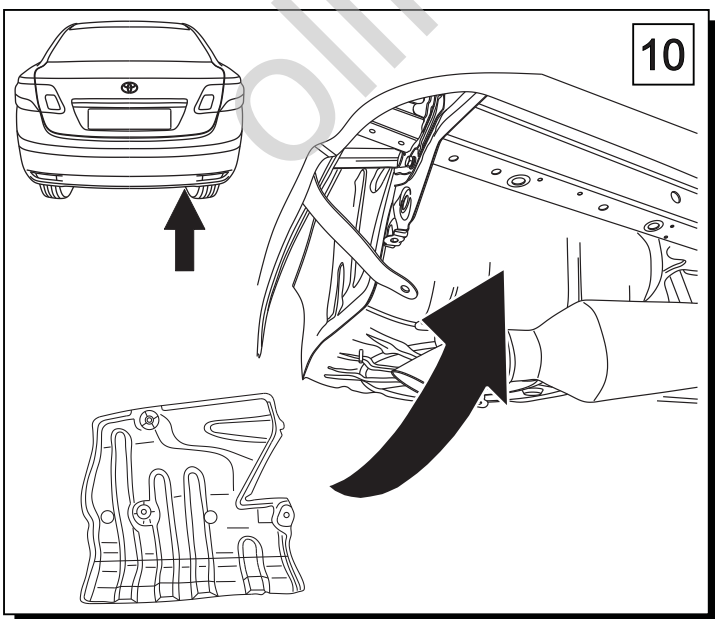
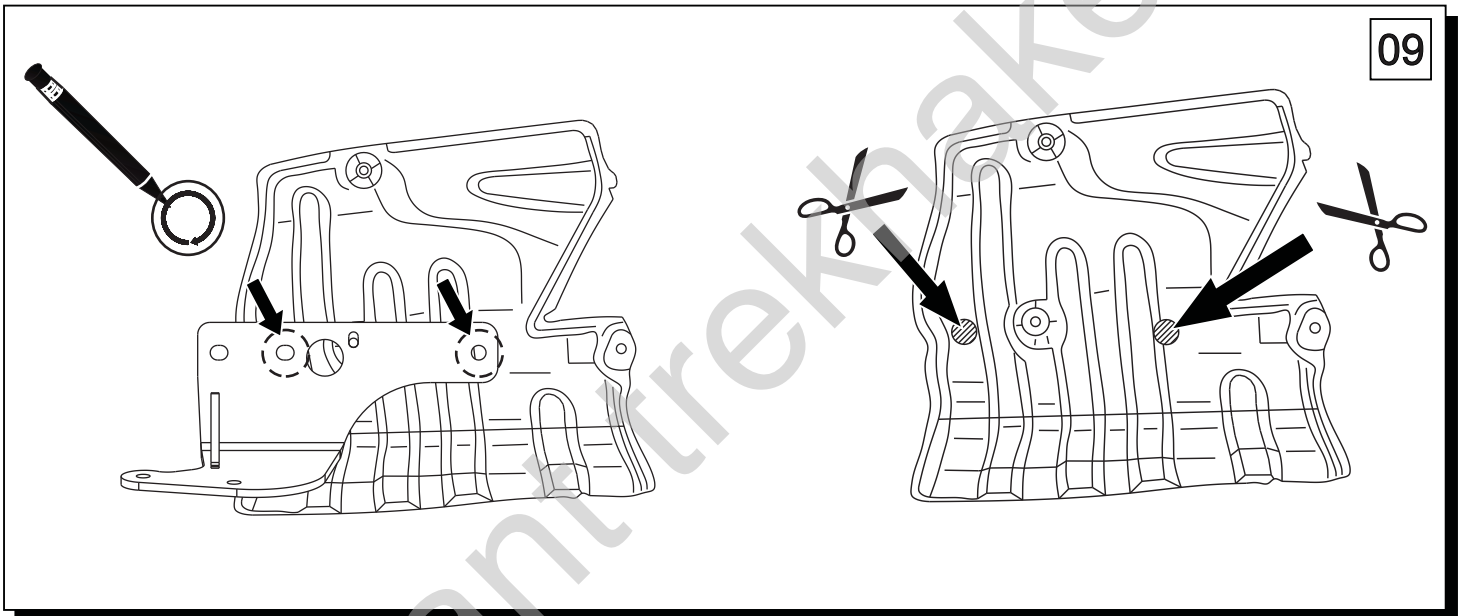
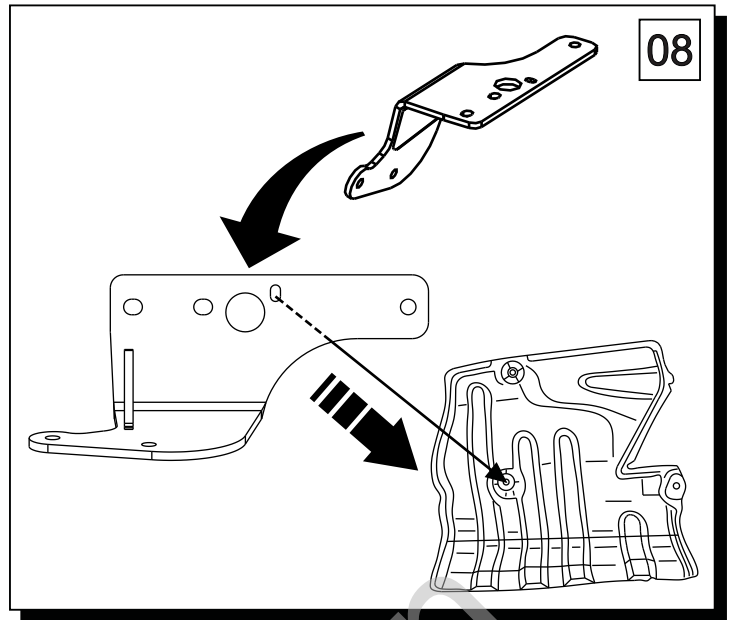
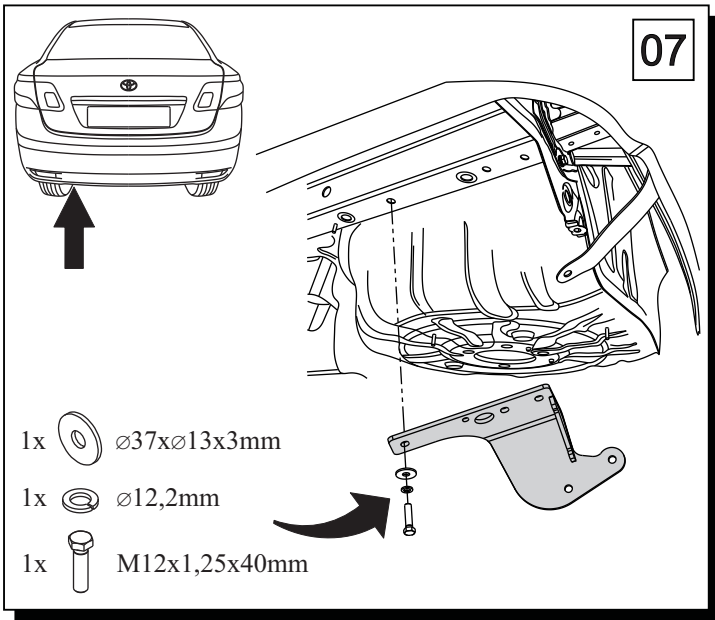


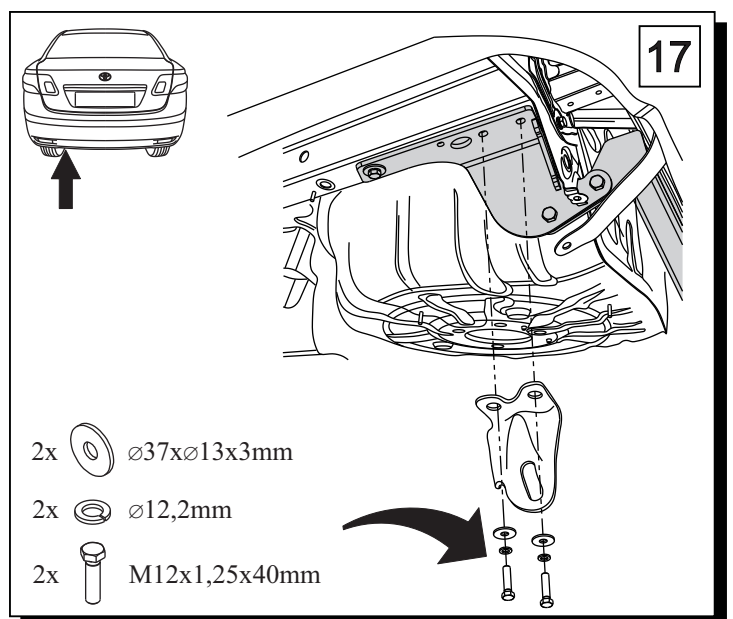
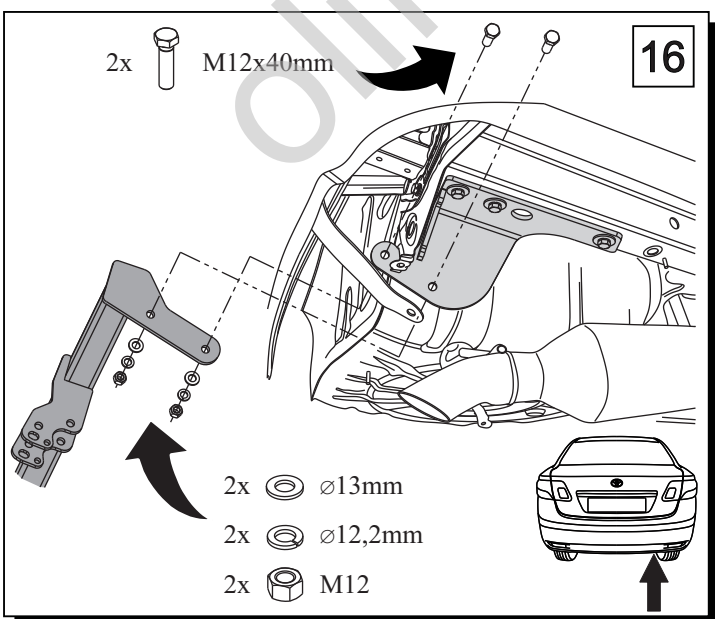
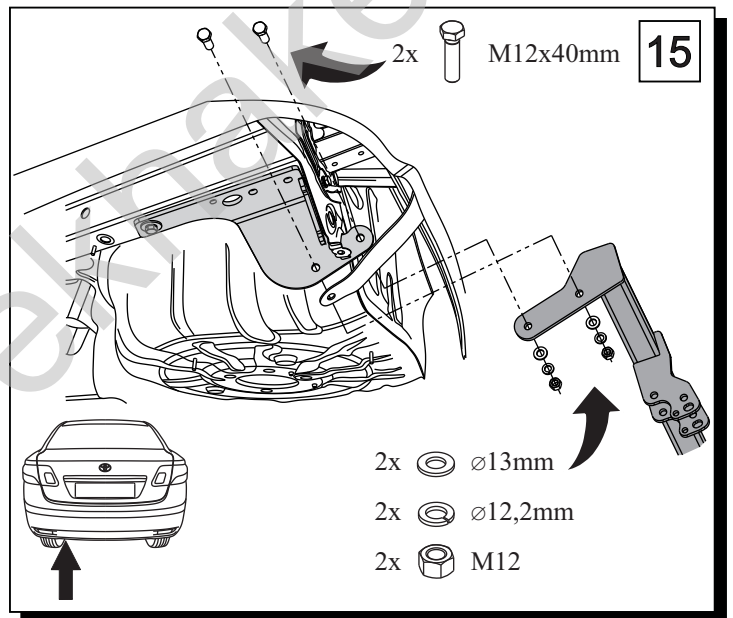
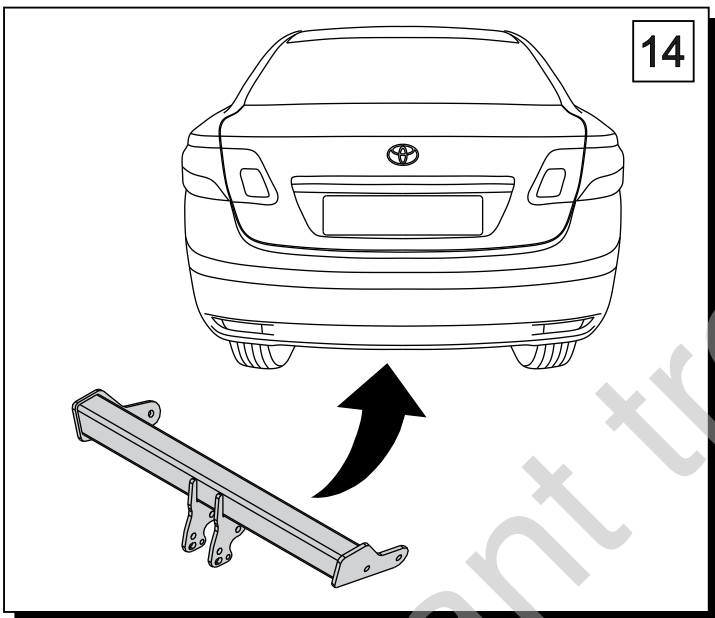
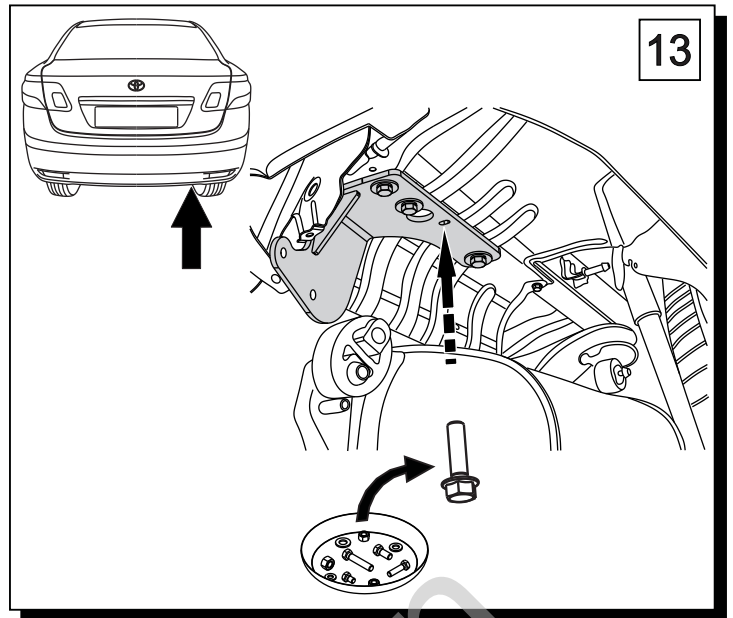
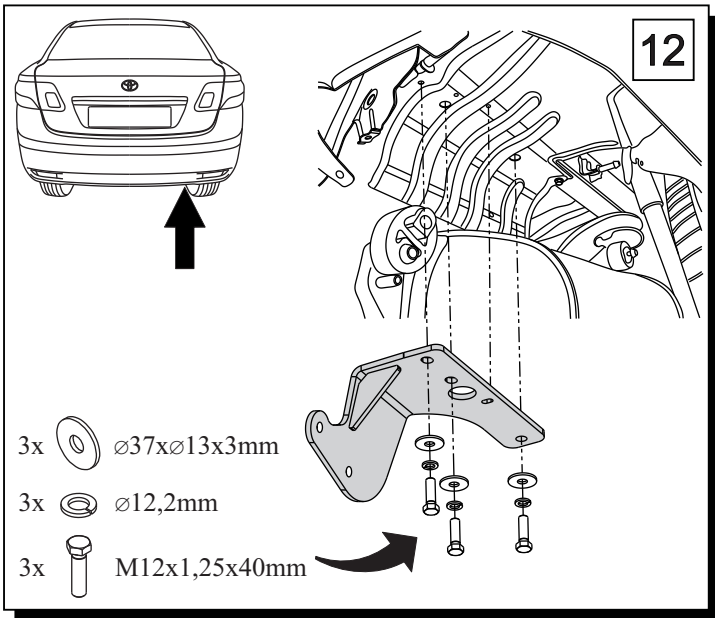
1000 km

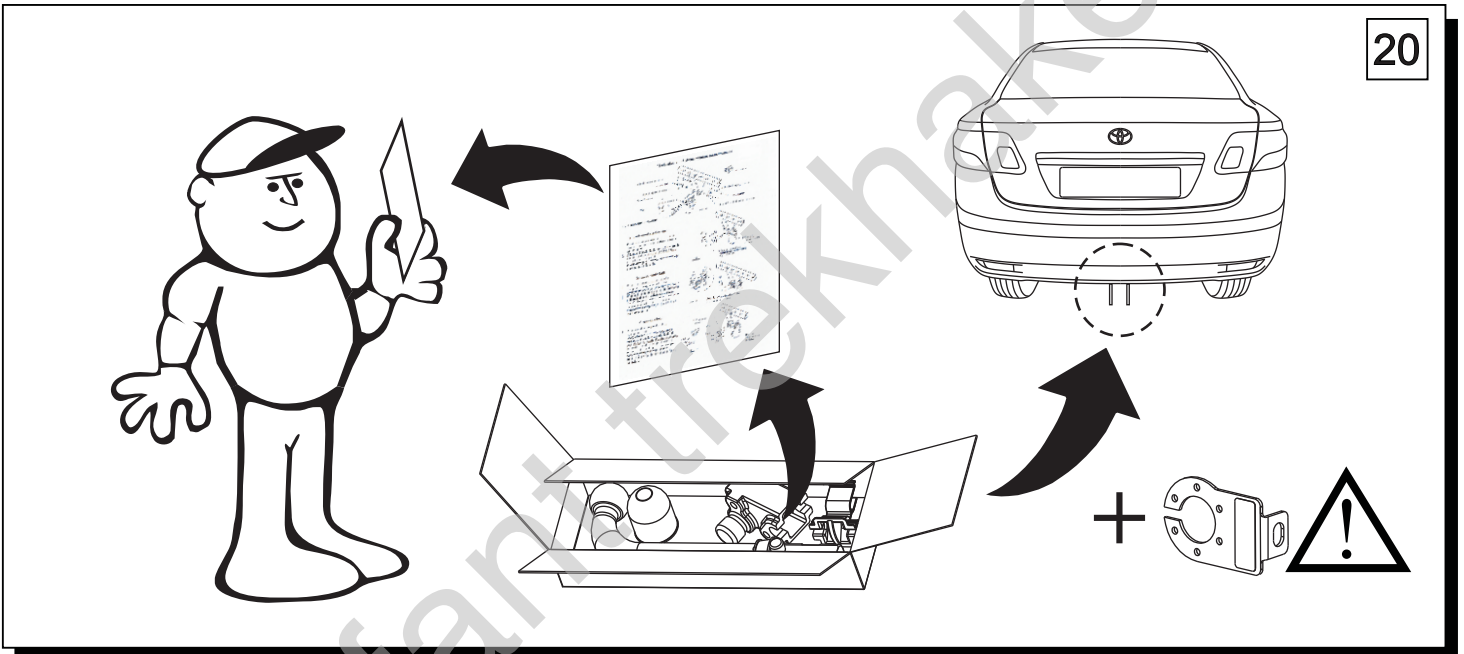
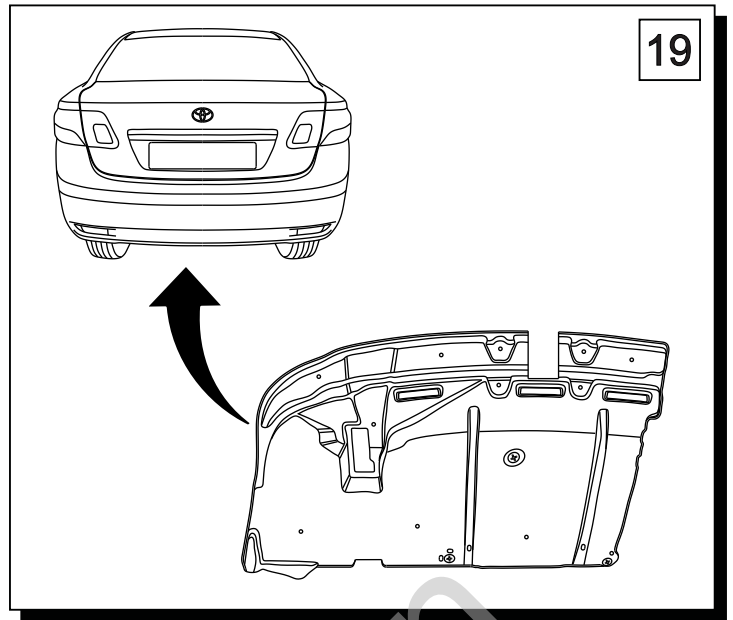
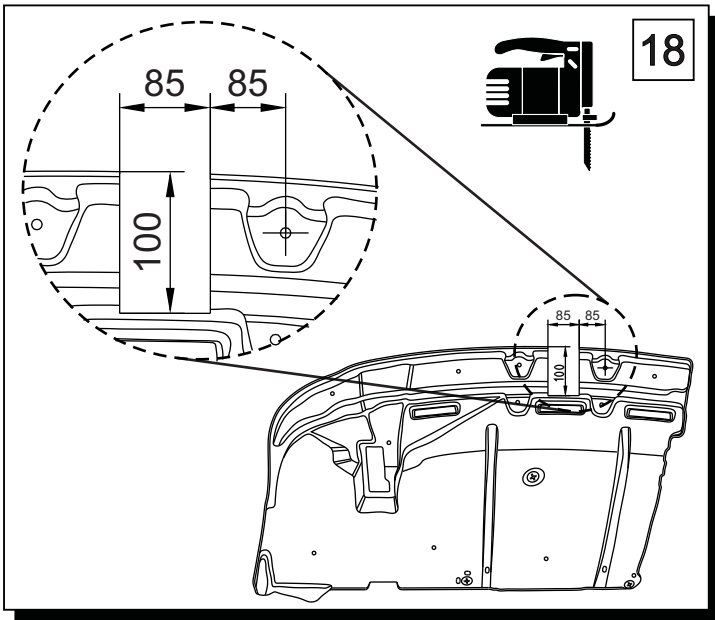





1		x1		6	M12x40	x4
				7	M12x1,25x40	x6
2		x1		8	∅ 13	x4
				9	∅ 37x∅13x3 13 DIN 9021	x6
				10	∅ 12.2	x10
				11	M12	x4
3		x1				
4		x1				
5		x1				
						Art.nr-BL1073A









	M6 - 11 Nm	M8 - 25 Nm
	M10 - 50 Nm	M12 - 87 Nm
	M14 - 138 Nm	M16 - 210 Nm
	 0 km →  1000 km	