

PPUH AUTO-HAK Sp.J.

Henryk i Zbigniew Nejman
ul. Słoneczna 16K 76-200 SŁUPSK
POLAND







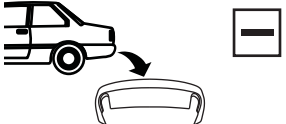


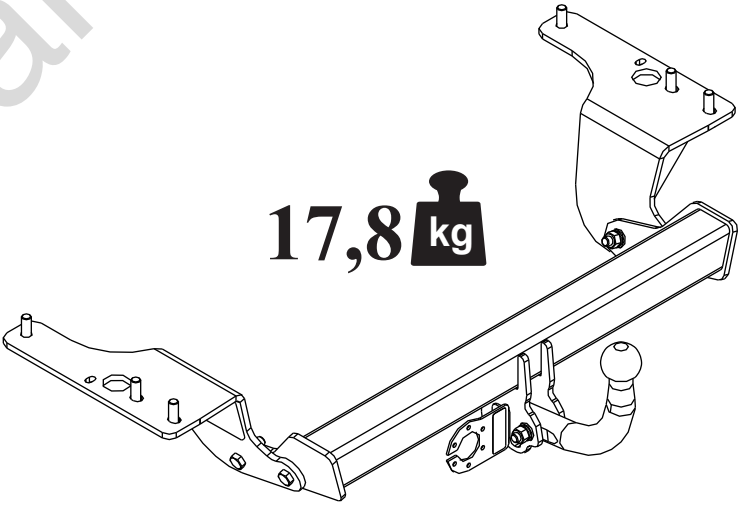
tel/fax +48 59 8 414 414; +48 59 8 414 413

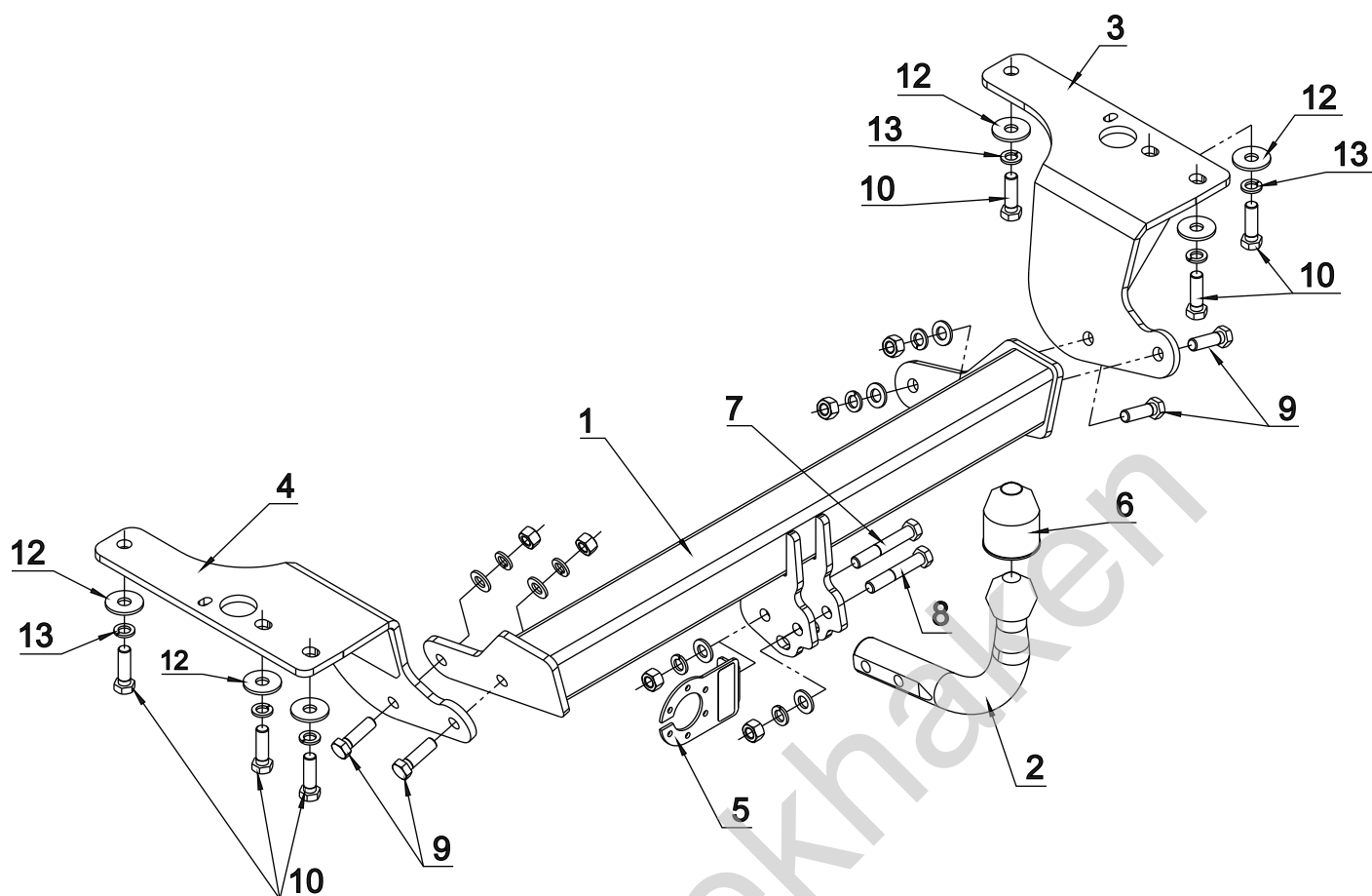
e-mail: office@autohak.com.pl

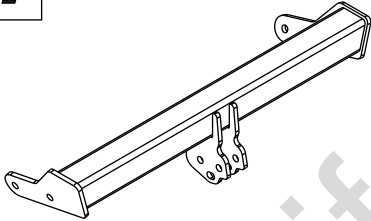
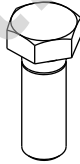
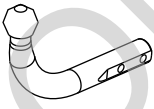




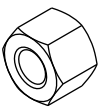
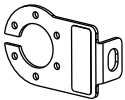




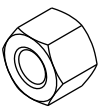
www.autohak.com.pl



AUTO-HAK

	TOYOTA AVENSIS 4D (T27)	Cat. no: 073
	01.2009 → 04.2015 05.2015 →	
	<u>E20-55R-01 4437</u>	
	10,1 kN	 2,5h
	R=2000 kg	 <input type="checkbox"/>
	S=75 kg	 <input type="checkbox"/>
		
17,8 kg		



1		x 1		7 M12x75	x 1
2		x 1 Art.nr-KL1073		8 M12x70	x 1
3		x 1		9 M12x40	x 4
4		x 1		10 M12x1,25x40	x 6
5		x 1 Art.nr-BL1073		11 ϕ 13	x 6
6		x 1		12 ϕ 37x ϕ 13x3	x 6
				13 DIN 9021	x 12
				14 M12	x 6

