

AUTO-HAK Sp. z o.o.

ul. Słoneczna 16K 76-200 SŁUPSK
POLAND

tel/fax +48 59 8 414 414; +48 59 8 414 413

e-mail: office@autohak.com.pl

www.autohak.com.pl



AUTO-HAK



**TOYOTA COROLLA 4D
(E15)**

Cat. no:

072A



08.2007 → 05.2013

e20

e20*94/20*0547*00

D

8,6 kN



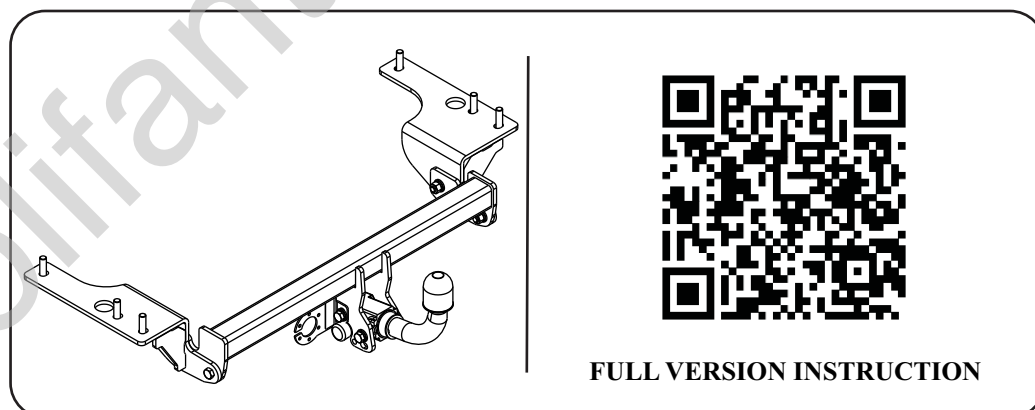
2,5h



R=1300 kg



S=60 kg



FULL VERSION INSTRUCTION



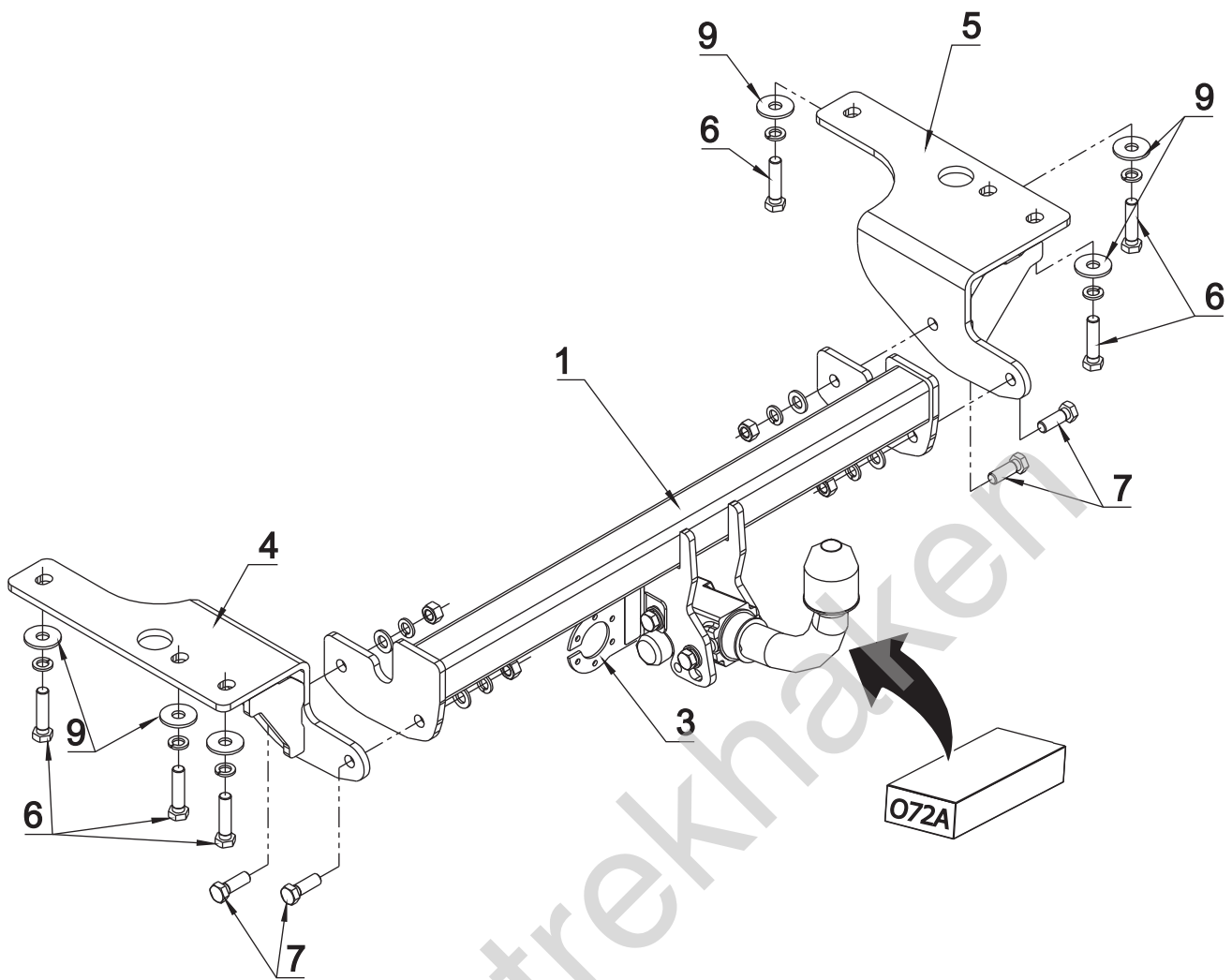
śruba	Nm	M6	M8	M10	M12	M14	M16
klasa 8.8		9,9	24	48	83	132	200
klasa 10.9		14	34	67	117	185	285

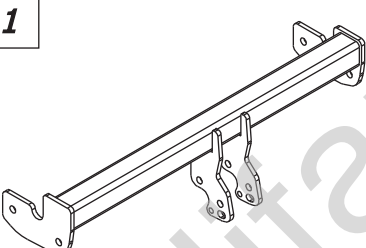


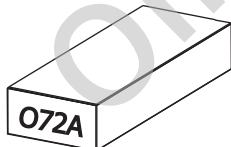

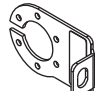



0 km →

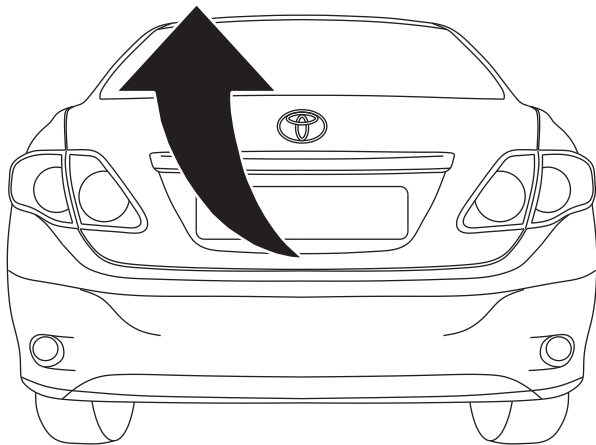


1000 km

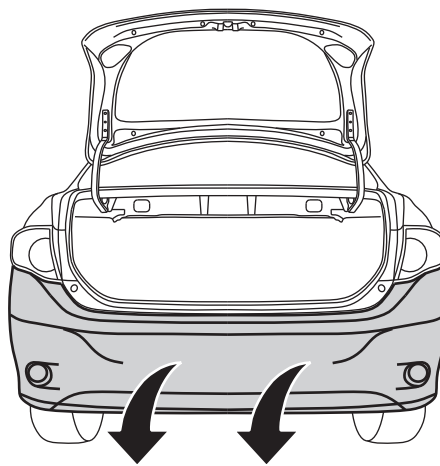


1 	x1		6 M12x1.25x50	x6		
				7 M12x35	x4	
				8 \varnothing 13	x4	
				9 \varnothing 37x \varnothing 13x3 13 wg DIN 9021	x6	
2 	x1 Art.nr-KL1072A Art.nr-Z100		10 \varnothing 12.2	x10		
				x1 Art.nr-BL1072A		11 M12
3	x1					
4	x1					
5	x1					

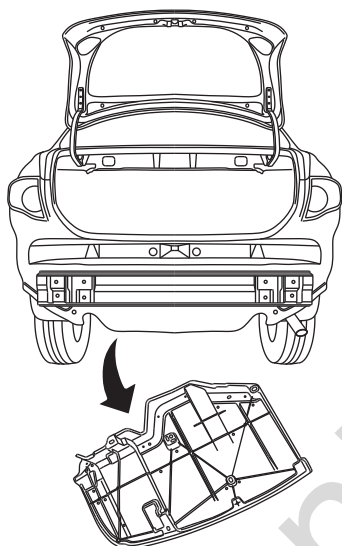
01



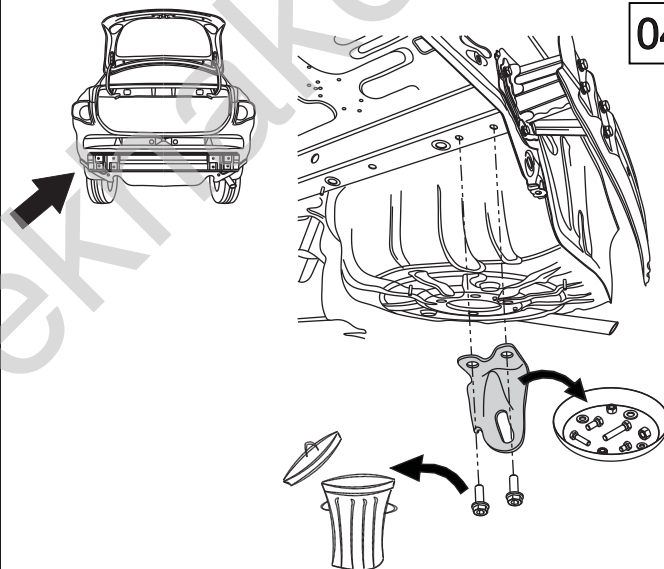
02



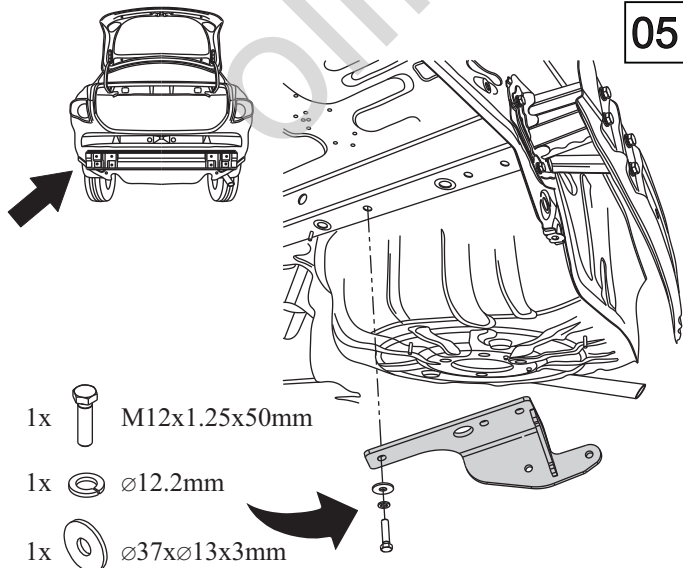
03



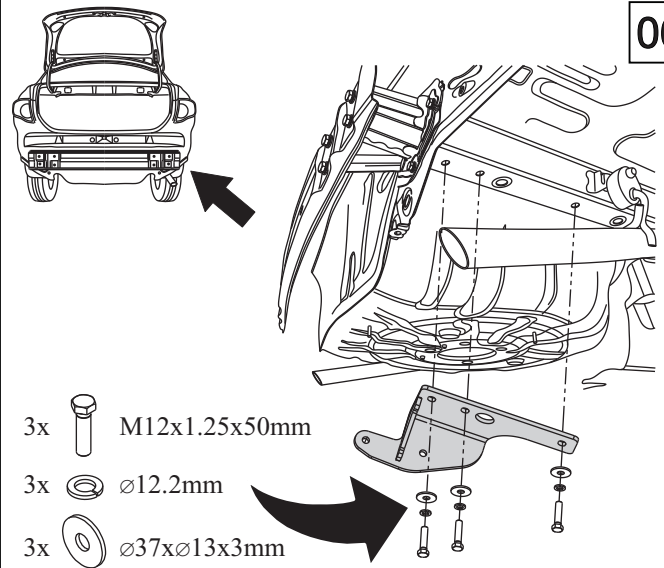
04

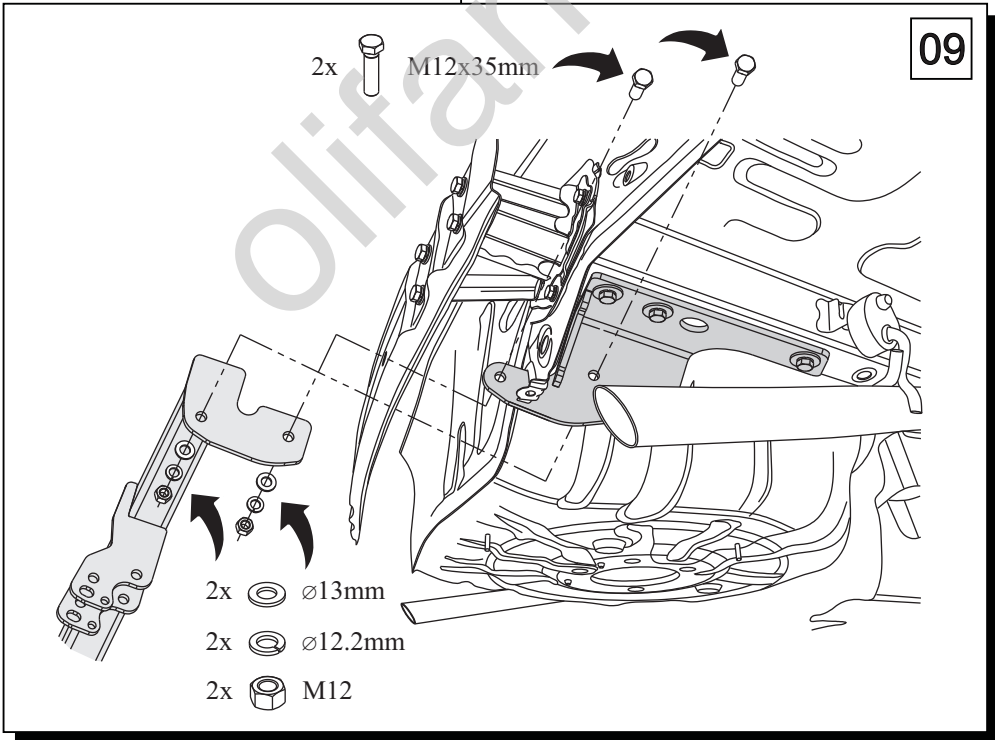
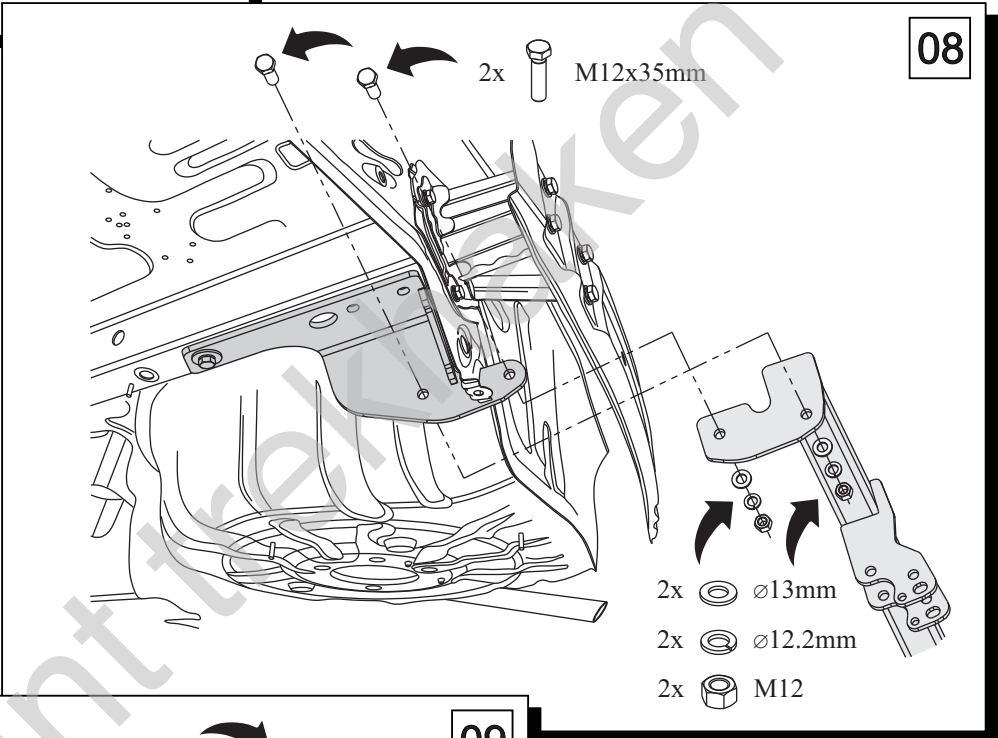
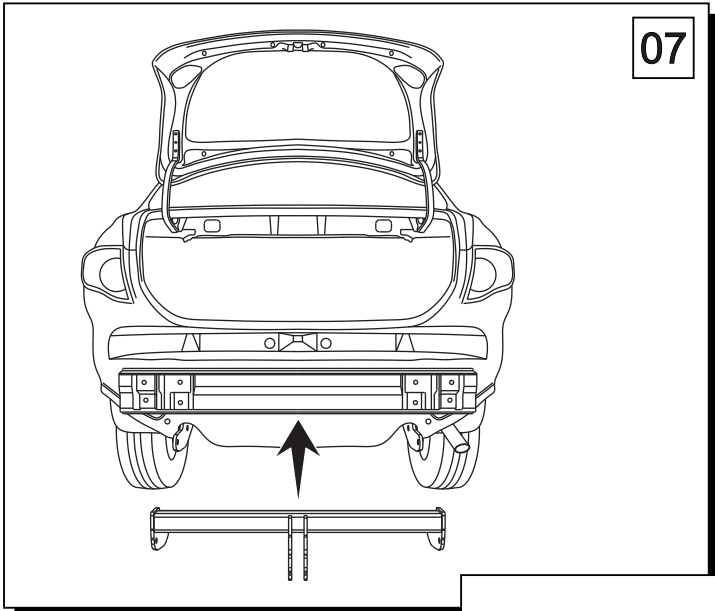


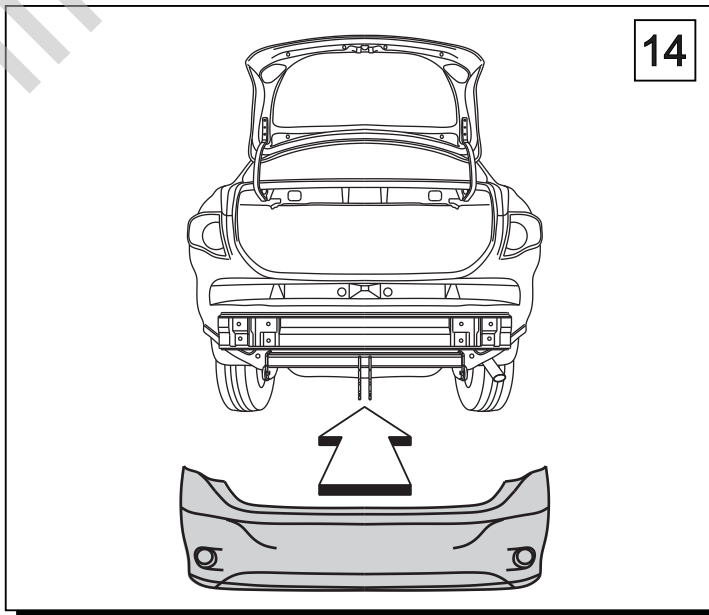
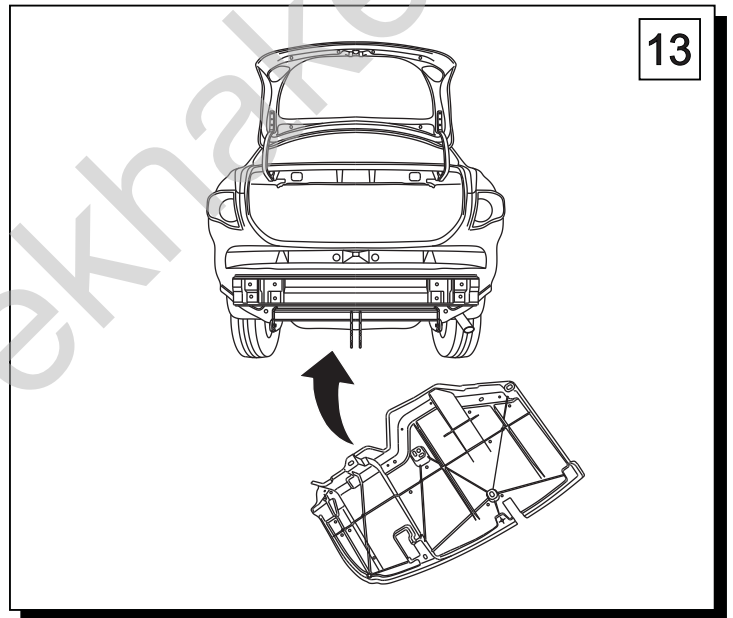
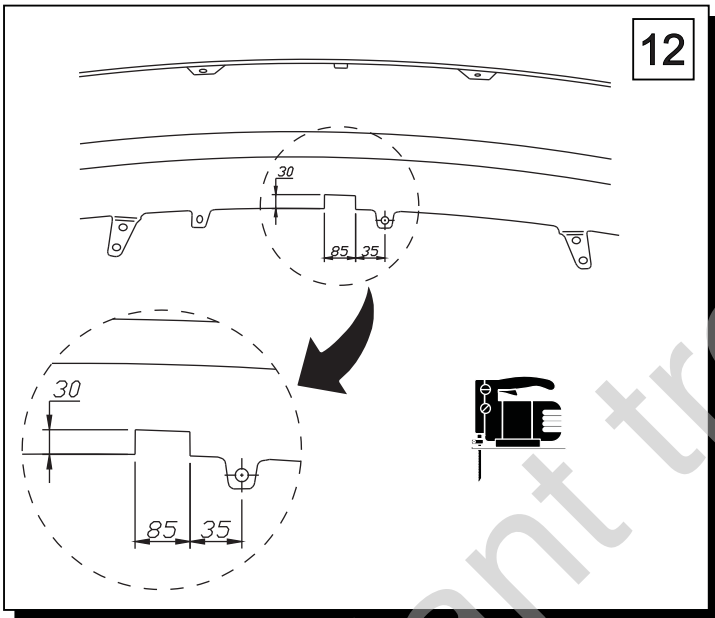
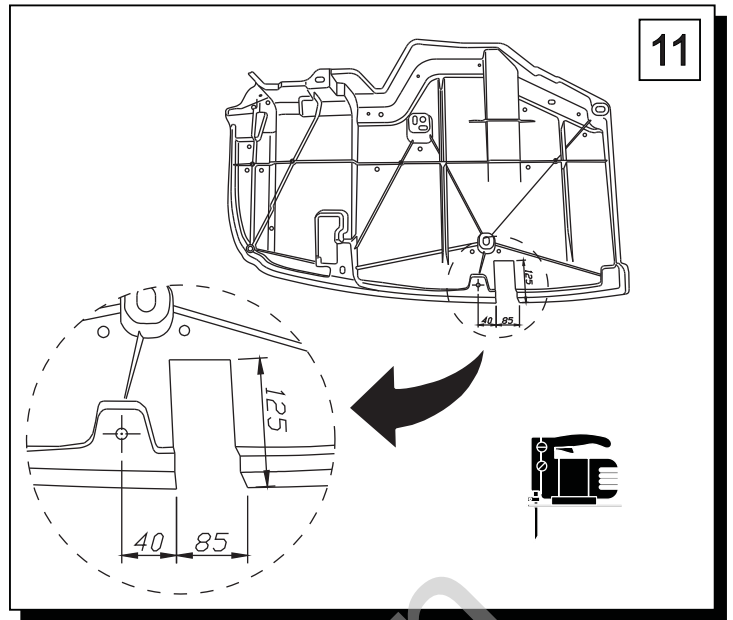
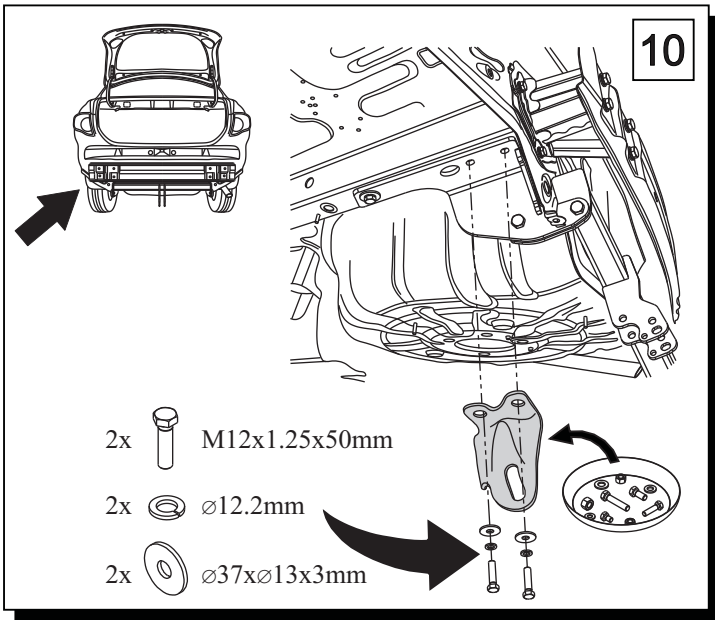
05

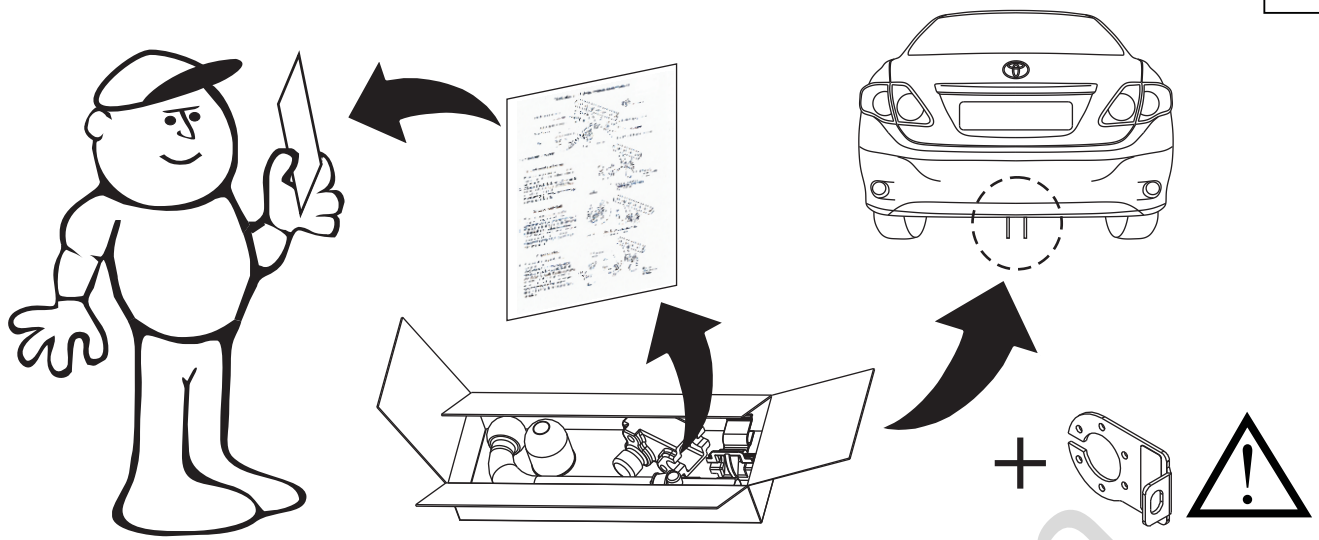


06









Olifant trekhaken