

PPUH AUTO-HAK Sp.J.

Henryk & Zbigniew Nejman
ul. Słoneczna 16K 76-200 SŁUPSK
POLAND


tel/fax +48 059 8-414-414; 8-414-413


e-mail: office@autohak.com.pl

www.autohak.com.pl



AUTO-HAK

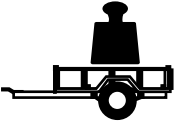
 **TOYOTA LAND CRUISER V8**
(*J200*-G**E*W)

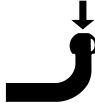
 **03.2008** →


Cat. no:
071

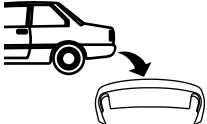
e20 e20*94/20*0439*00


D 17,4 kN


 **R=3500 kg**

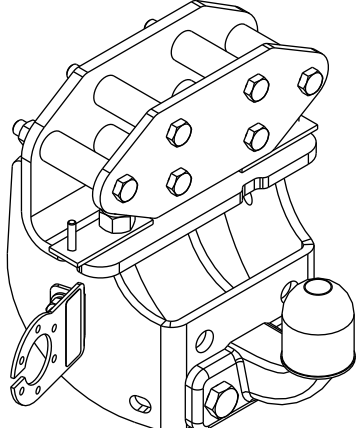
 **S=140 kg**


 **2h**





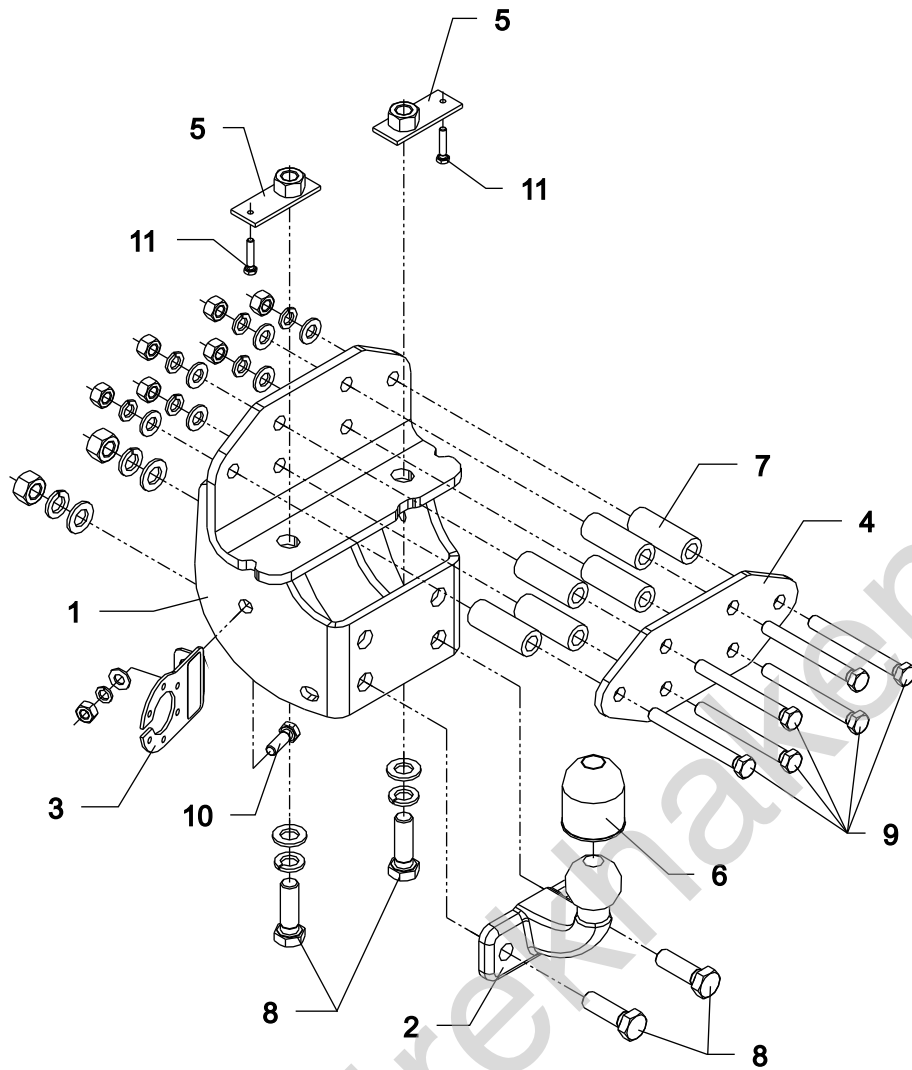


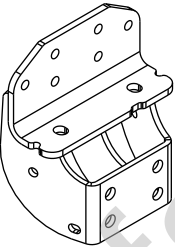
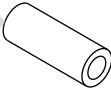
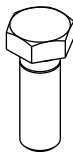
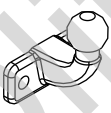

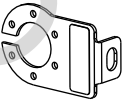

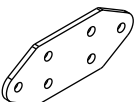

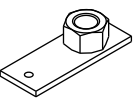

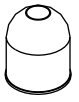



11,7 kg 

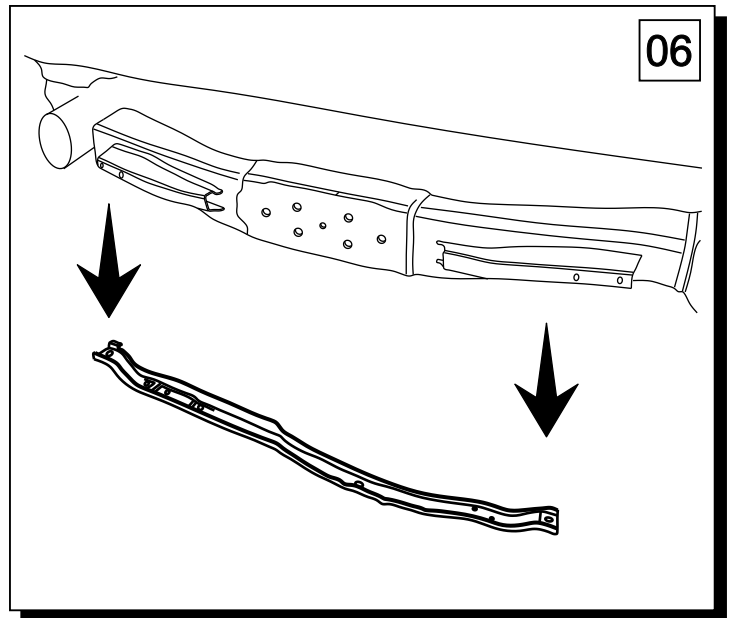
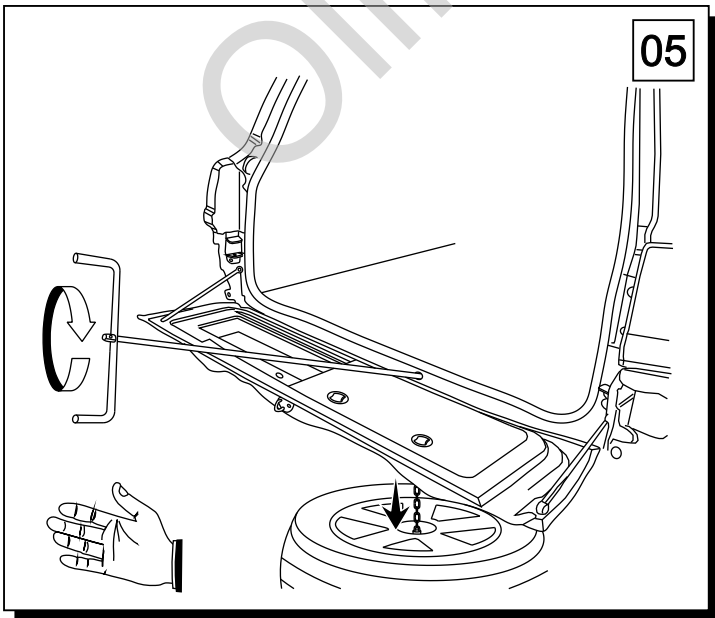
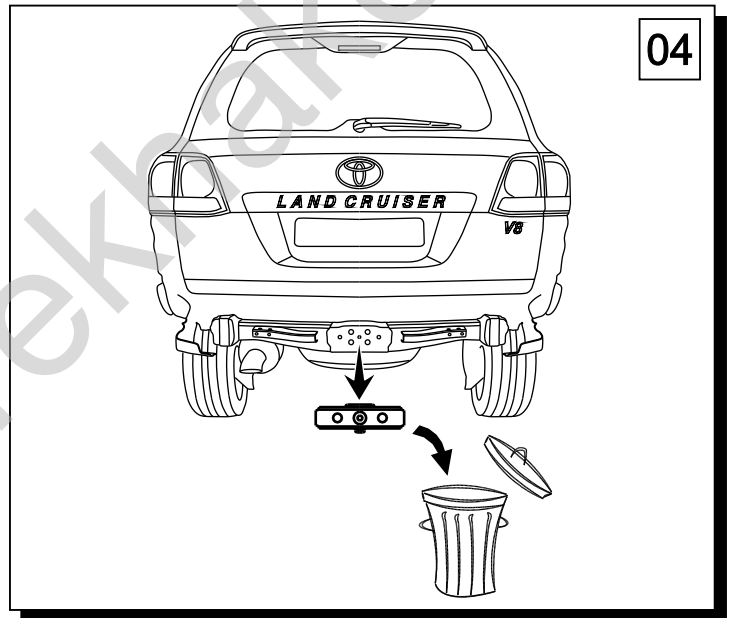
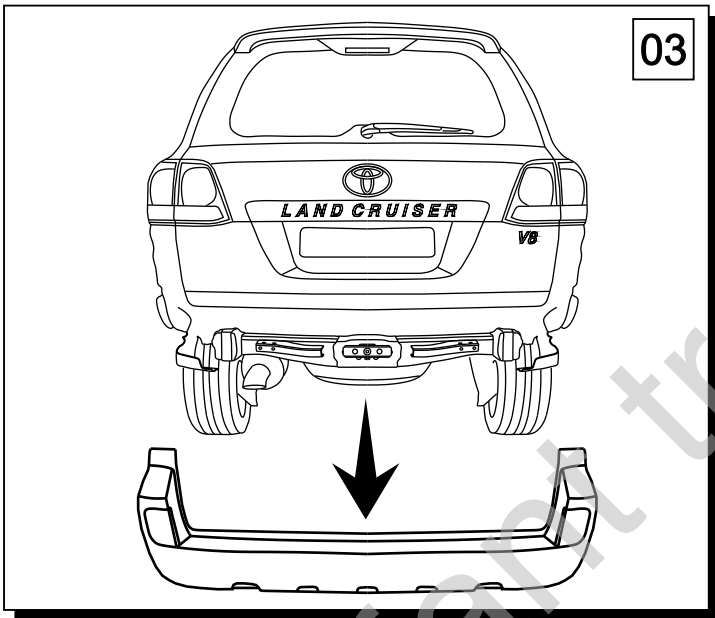
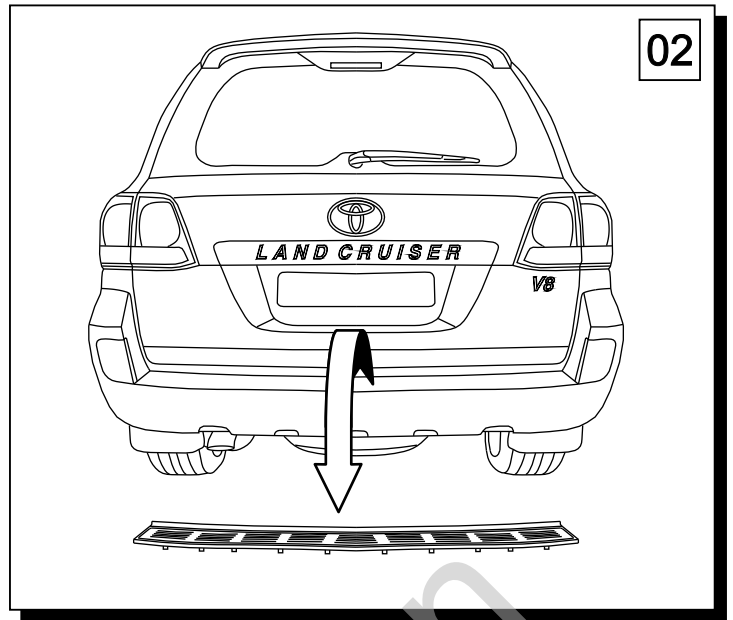
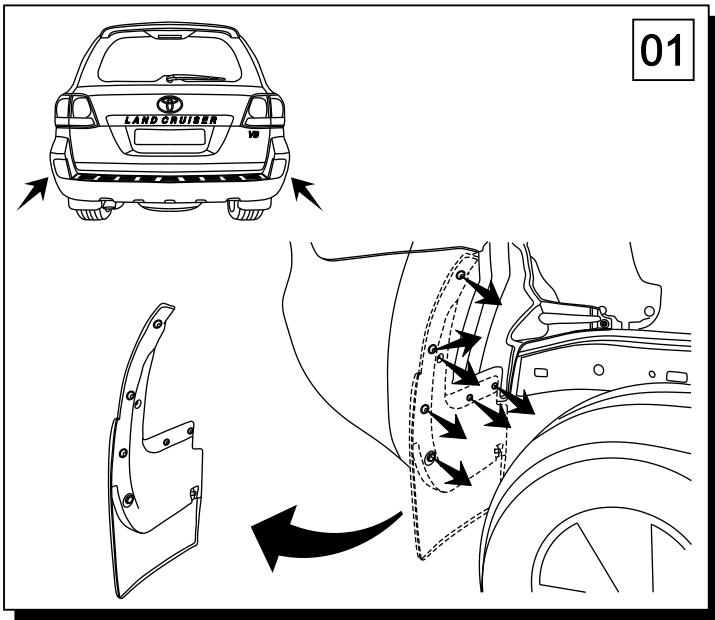


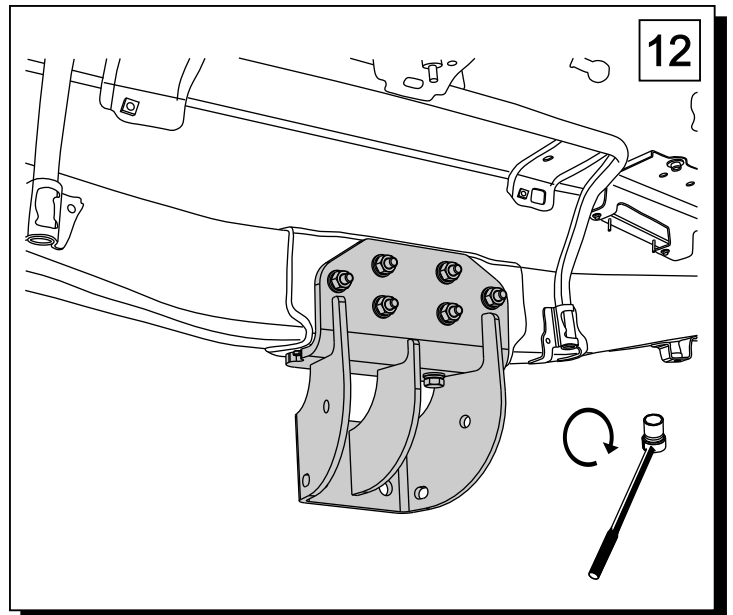
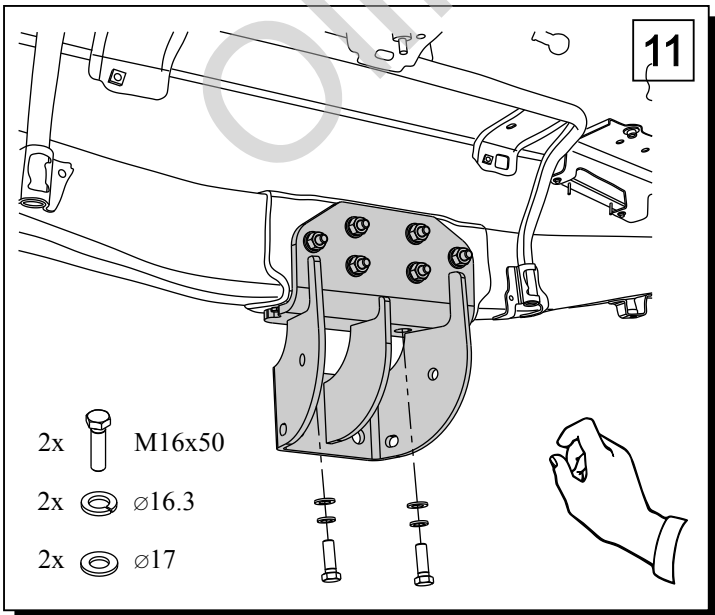
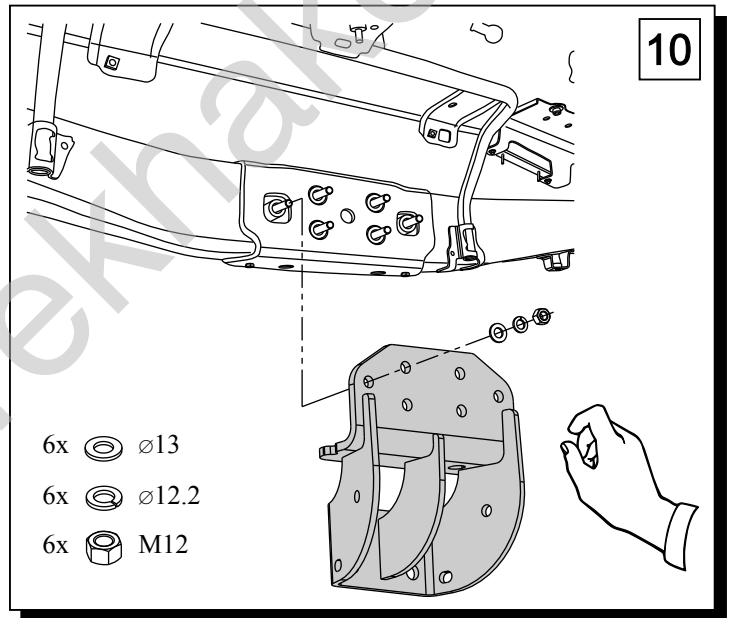
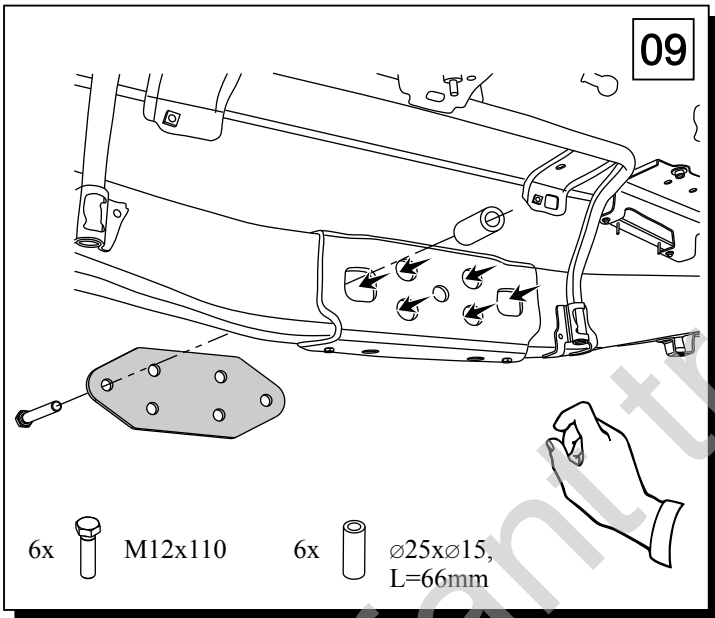
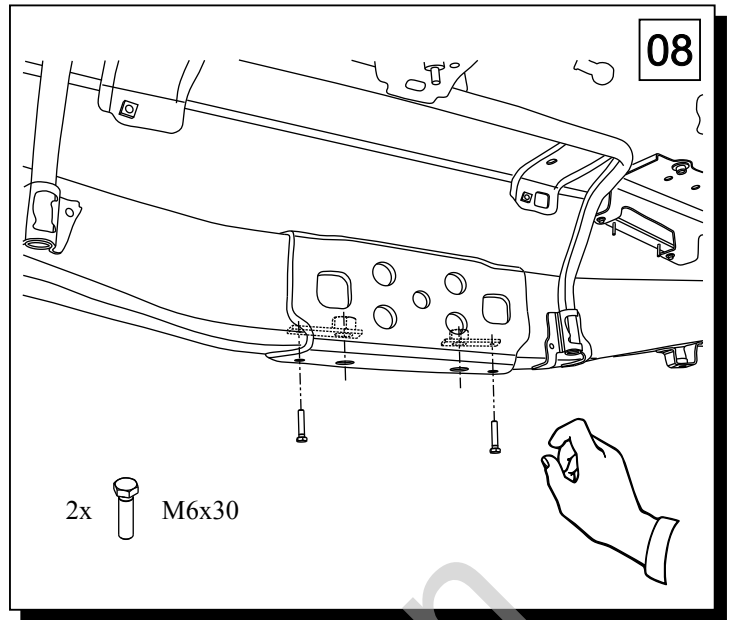
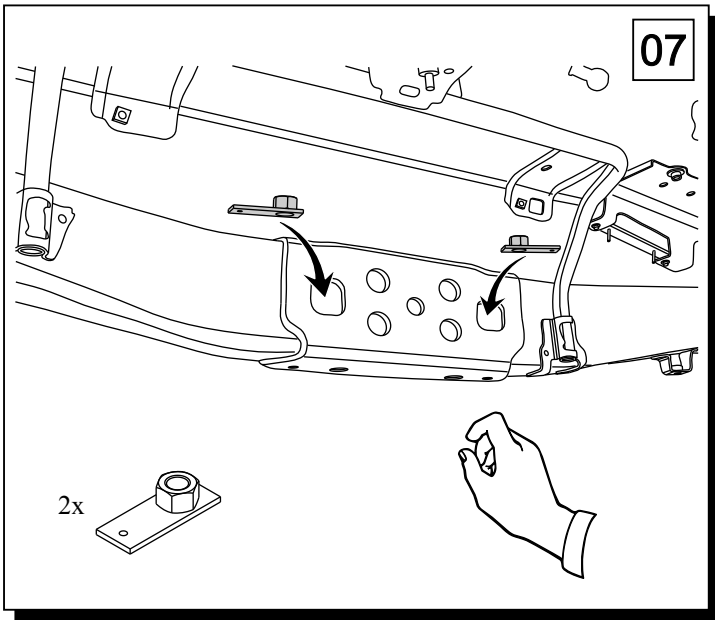
 **M6** - 8,5 Nm **M8** - 20 Nm
M10 - 41 Nm **M12** - 70 Nm
M14 - 112 Nm **M16** - 170 Nm

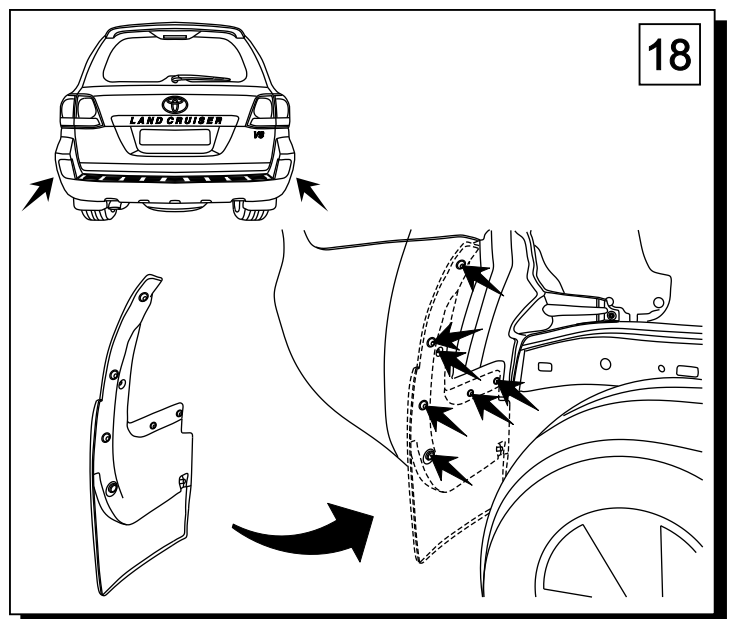
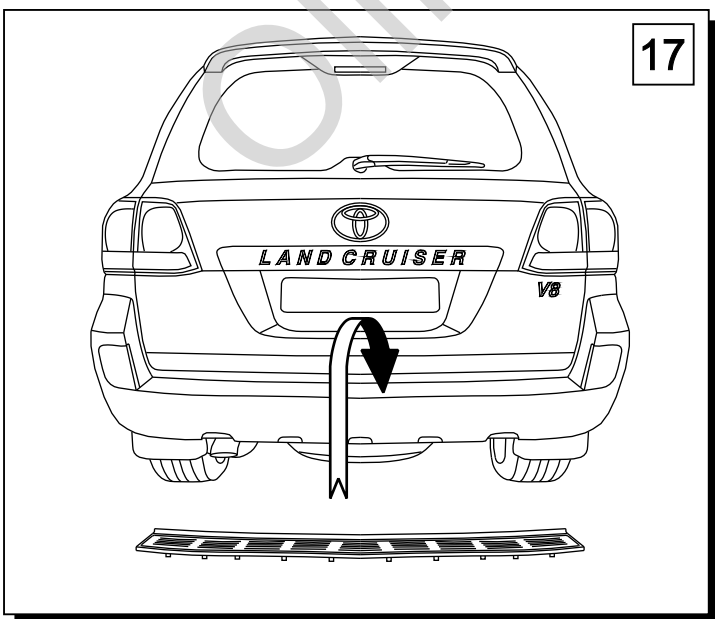
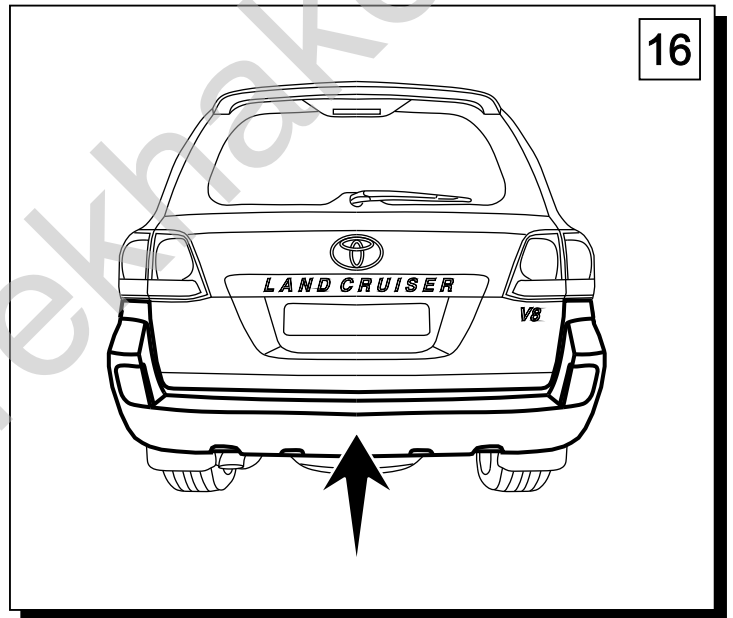
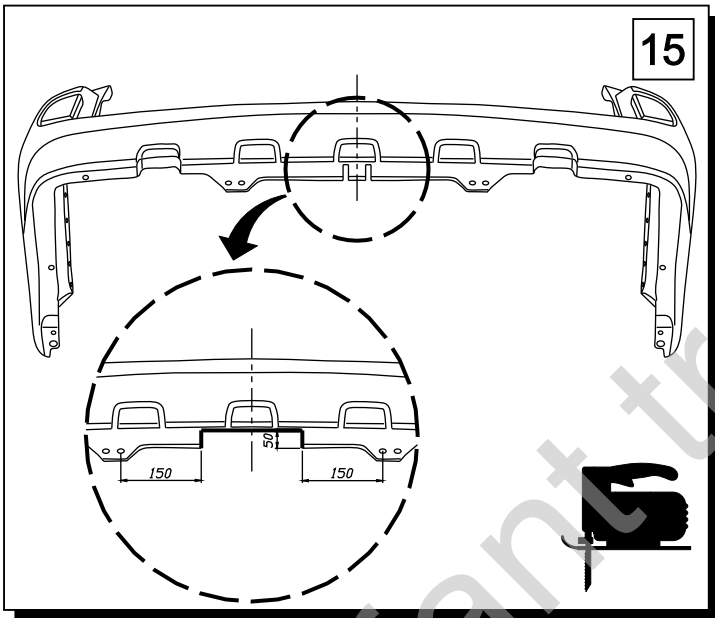
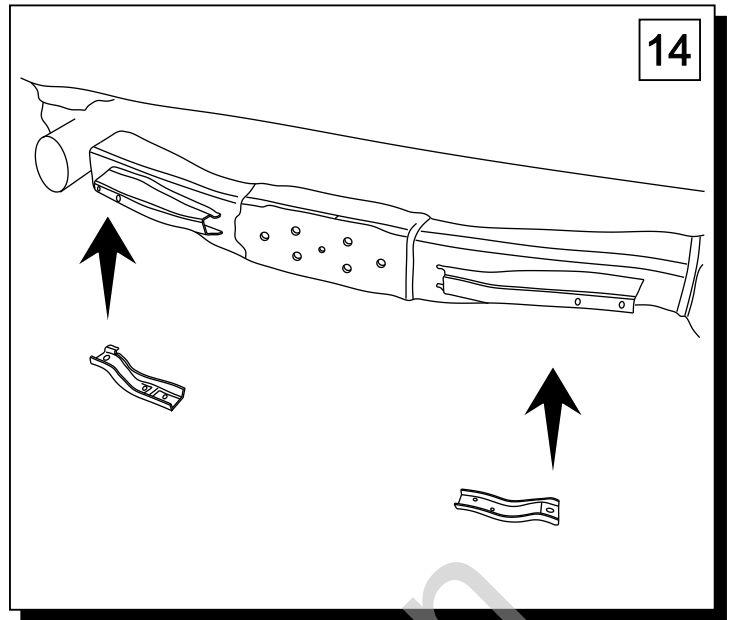
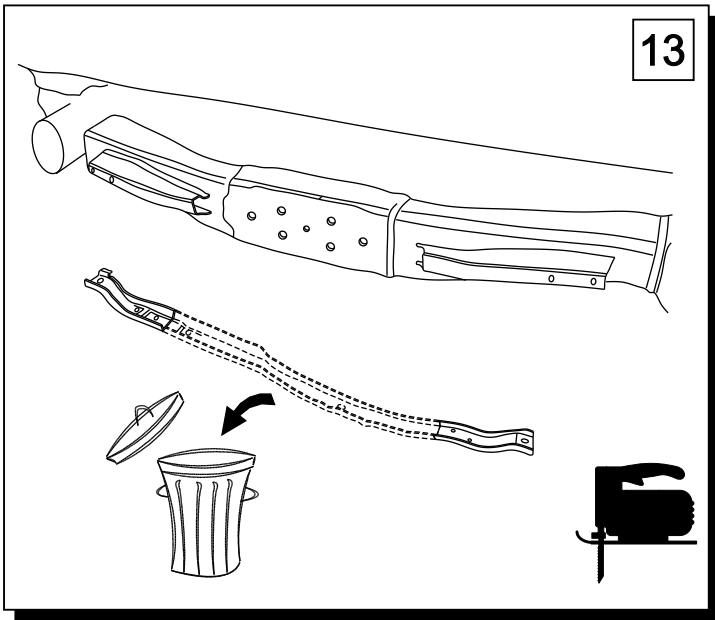
 **0 km** →  **1000 km**

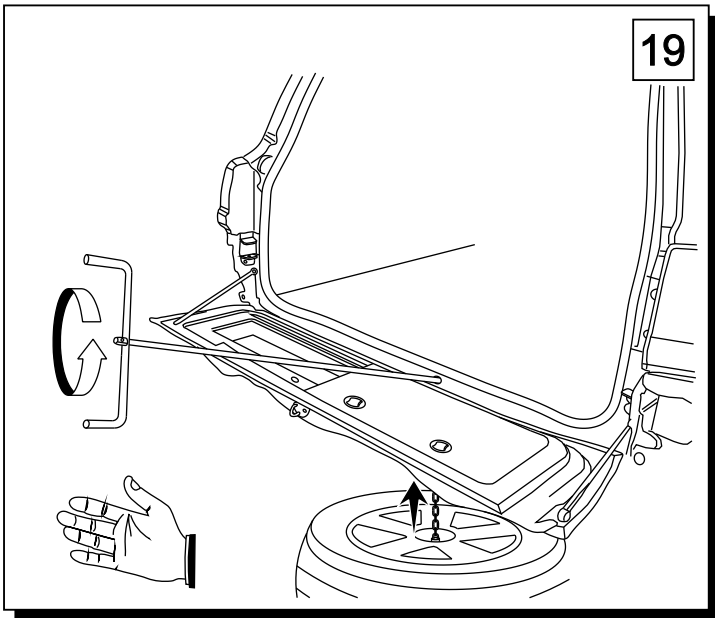


1		x1		7 \varnothing 25x \varnothing 15 L=66mm	x6
					8 M16x50
2		x1 Art.nr-KL1071		9 M12x110	x6
				10 M10x30	x1
3		x1 Art.nr-BL1071		11 M6x30	x2
				12 M16	x2
4		x1		13 M12	x6
				14 M10	x1
5		x2		15 \varnothing 17	x4
				16 \varnothing 13	x6
6		x1		17 \varnothing 10.5	x1
				18 \varnothing 16.3	x4
7		x6		19 \varnothing 12.2	x6
				20 \varnothing 10.2	x1

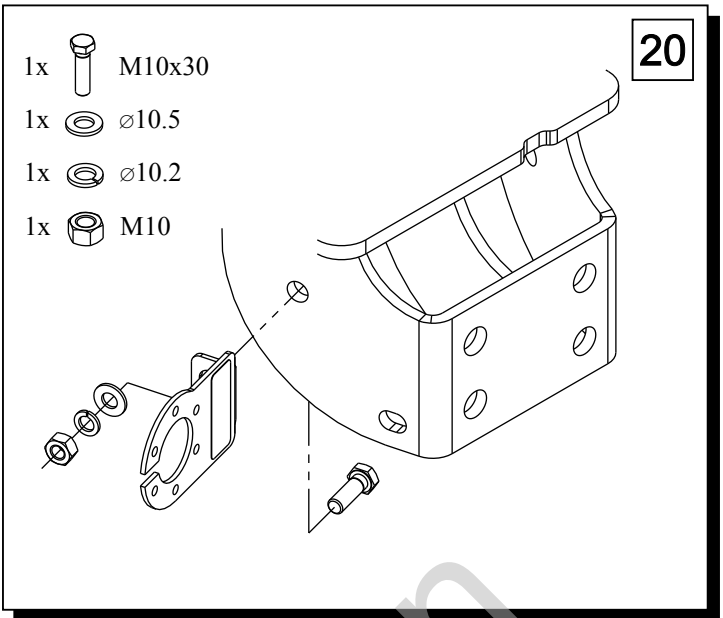






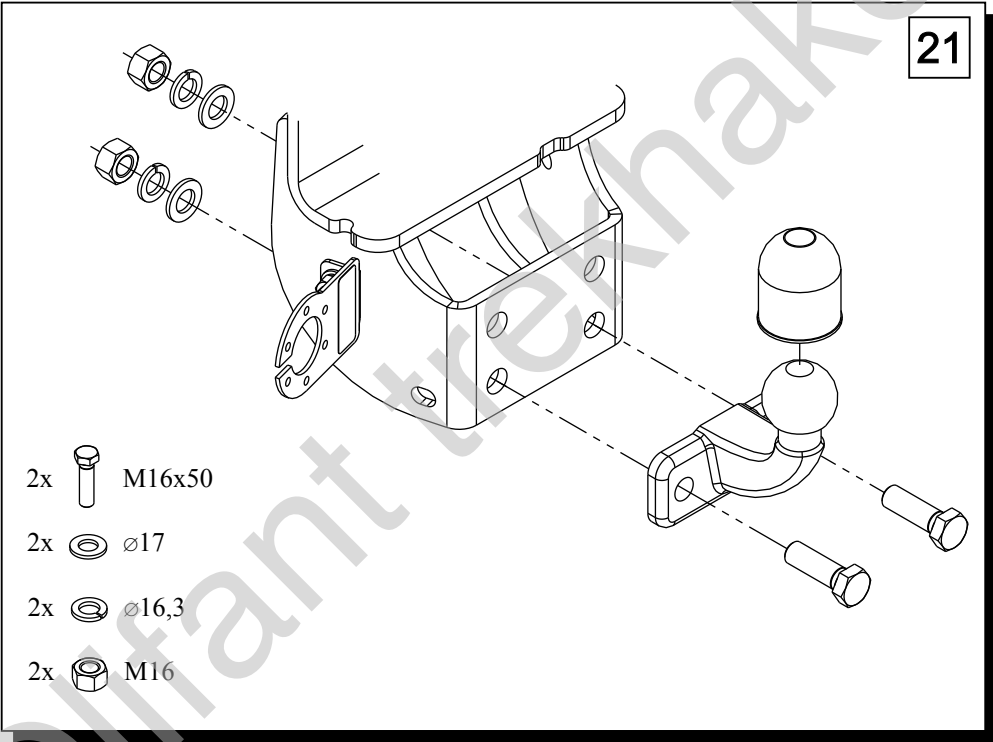


19






20

- 1x M10x30
- 1x ø10.5
- 1x ø10.2
- 1x M10



21

- 2x M16x50
- 2x ø17
- 2x ø16,3
- 2x M16

	M6 - 11 Nm	M8 - 25 Nm
	M10 - 50 Nm	M12 - 87 Nm
	M14 - 138 Nm	M16 - 210 Nm
	 0 km →  1000 km	