

PPUH AUTO-HAK Sp.J.

Henryk & Zbigniew Nejman
ul. Słoneczna 16K 76-200 SŁUPSK
POLAND


tel/fax +48 059 8-414-414; 8-414-413


e-mail: office@autohak.com.pl

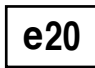
www.autohak.com.pl




AUTO-HAK

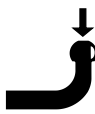
 **TOYOTA LAND CRUISER V8**
(*J200*-G**E*W)

 **03.2008** →


 **e20** **e20*94/20*0438*00**

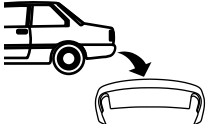
D **17,4 kN**


 **R=3500 kg**

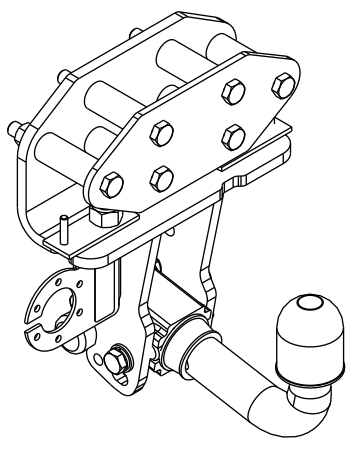
 **S=140 kg**


Cat. no:
O70A



 **2h**

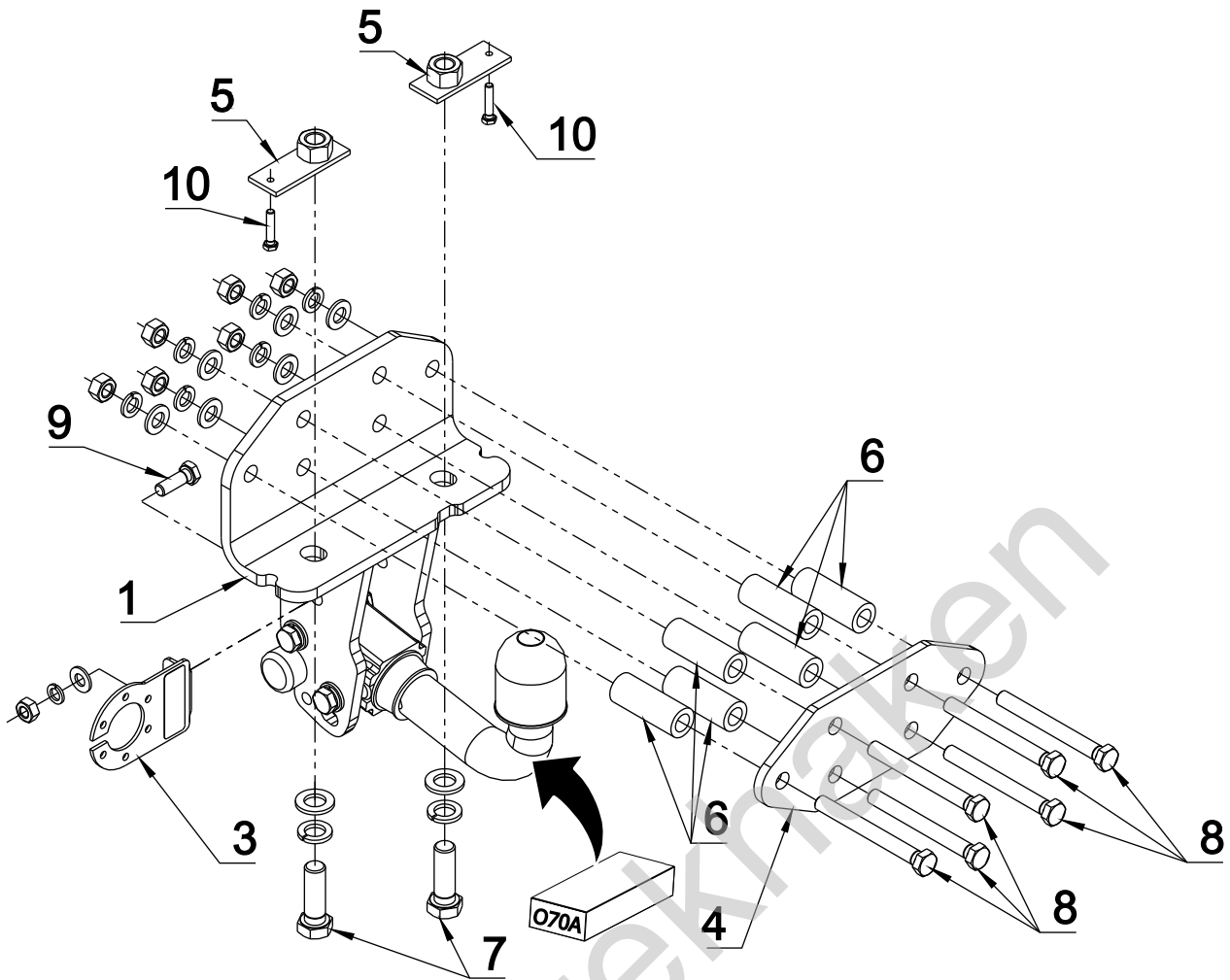


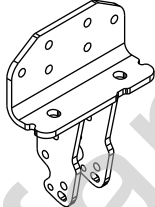

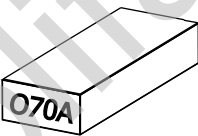

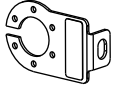



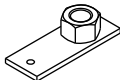
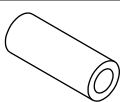


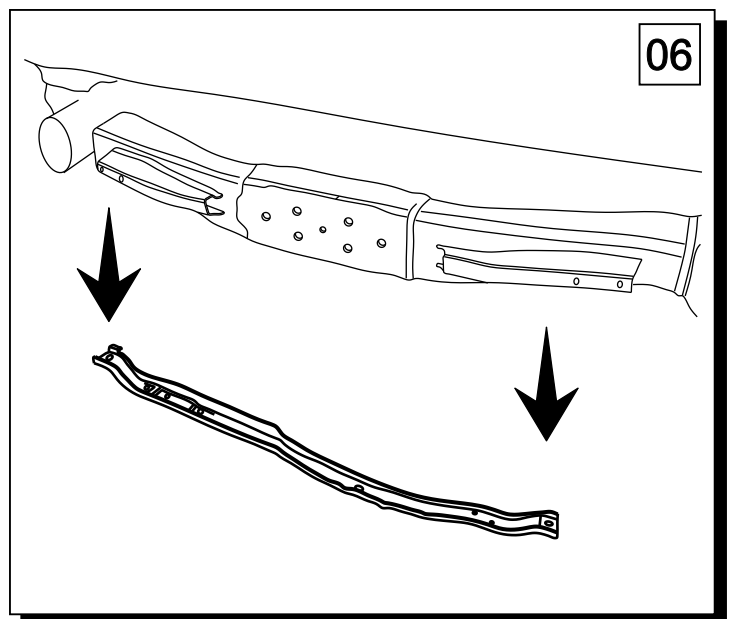
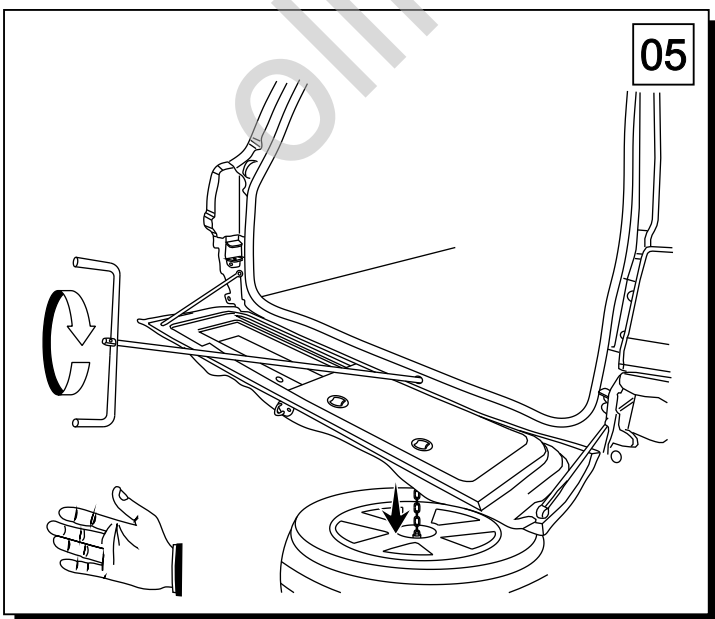
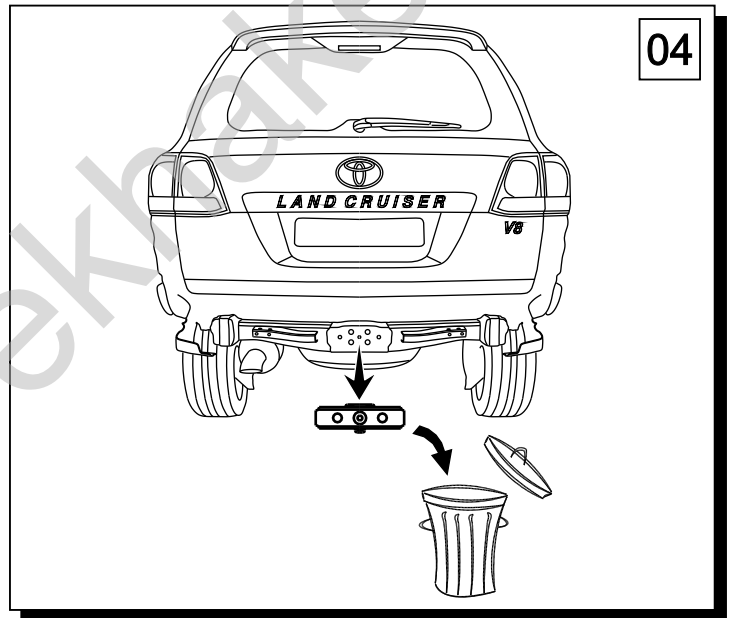
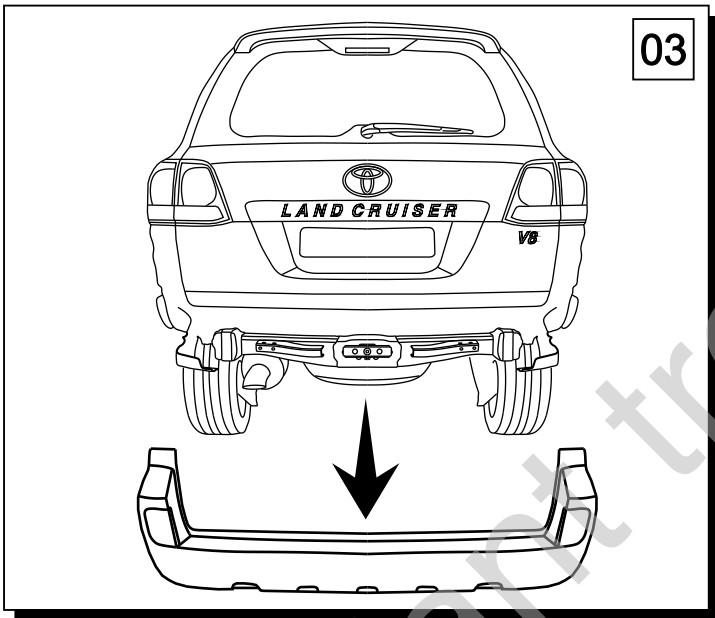
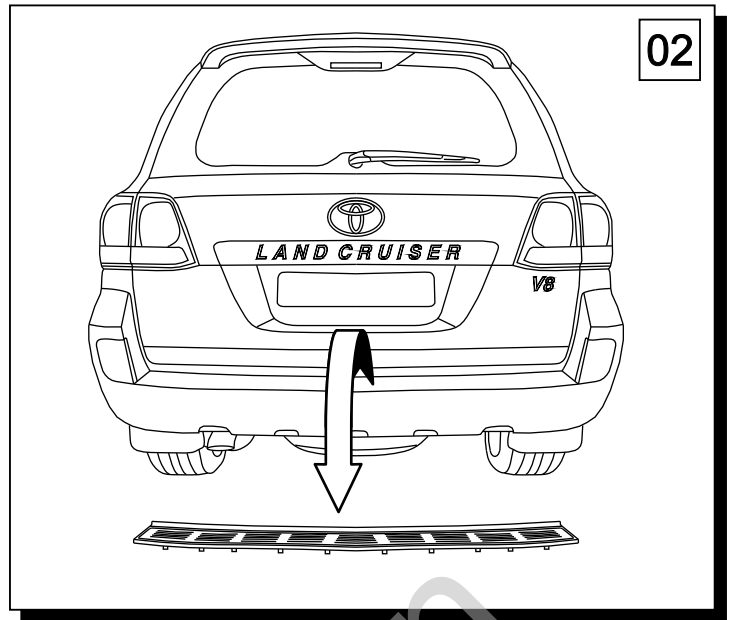
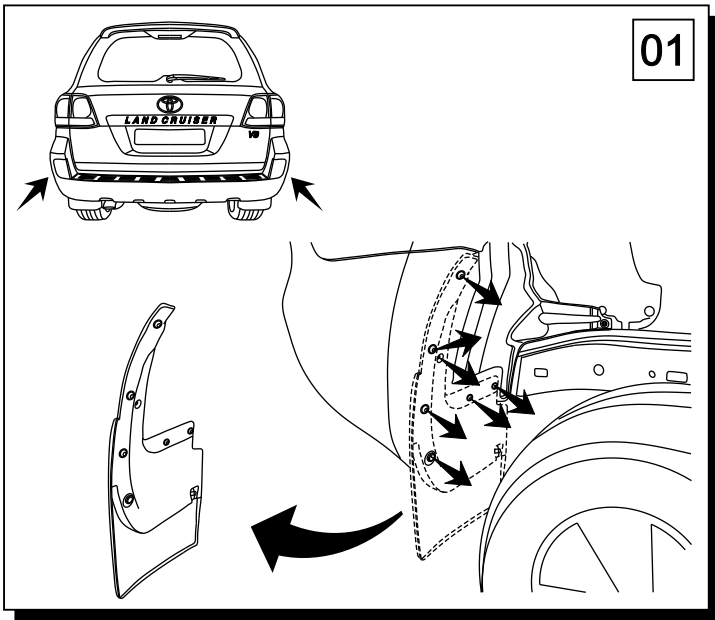
 **12,7 kg**

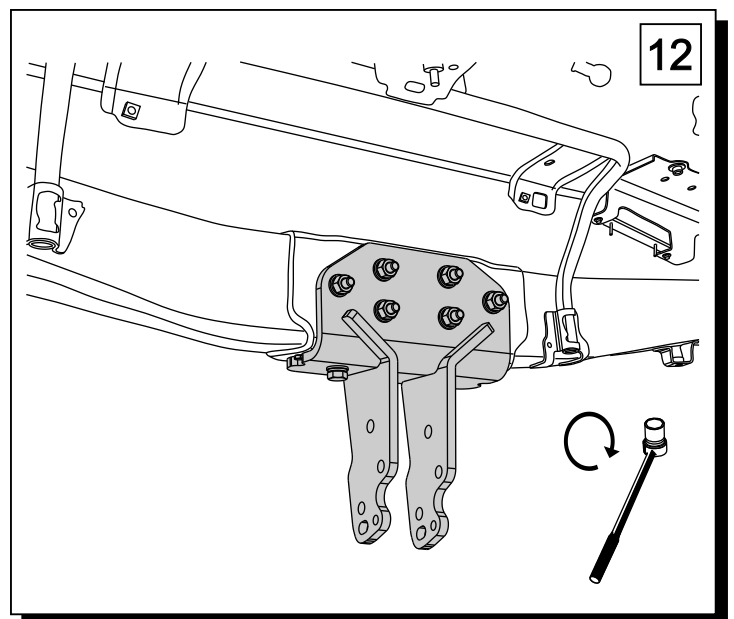
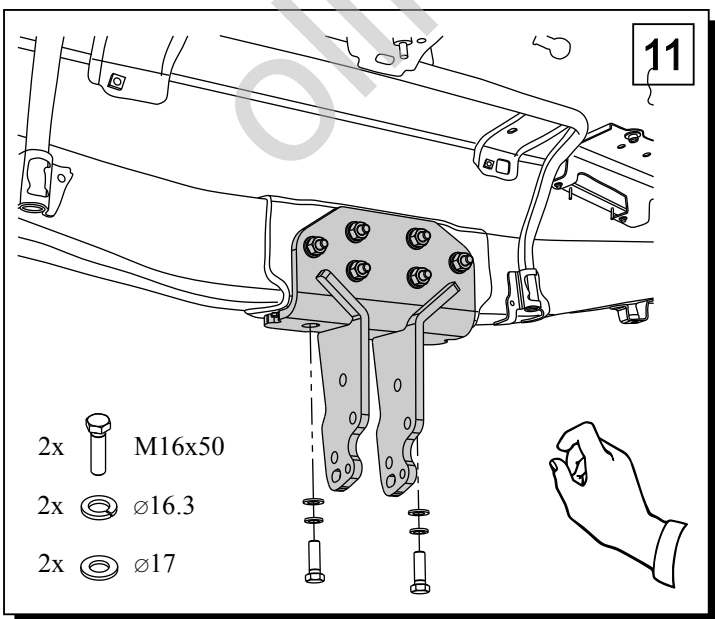
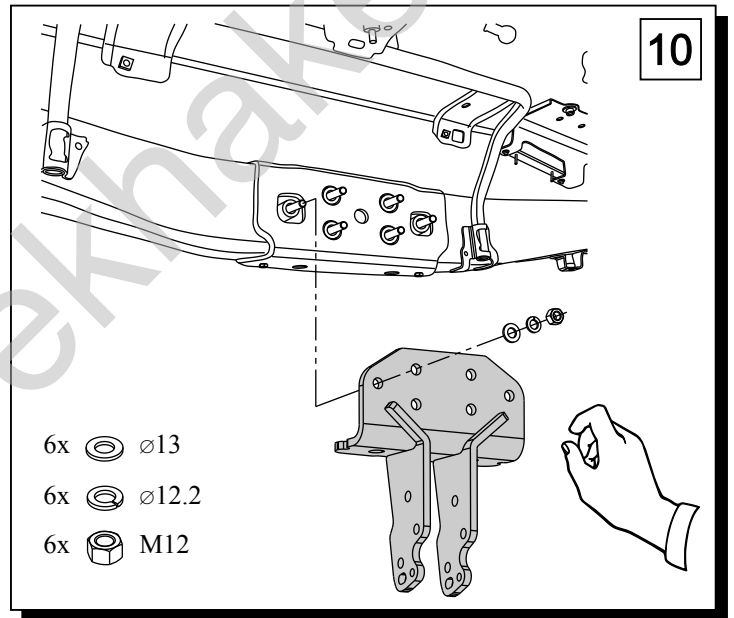
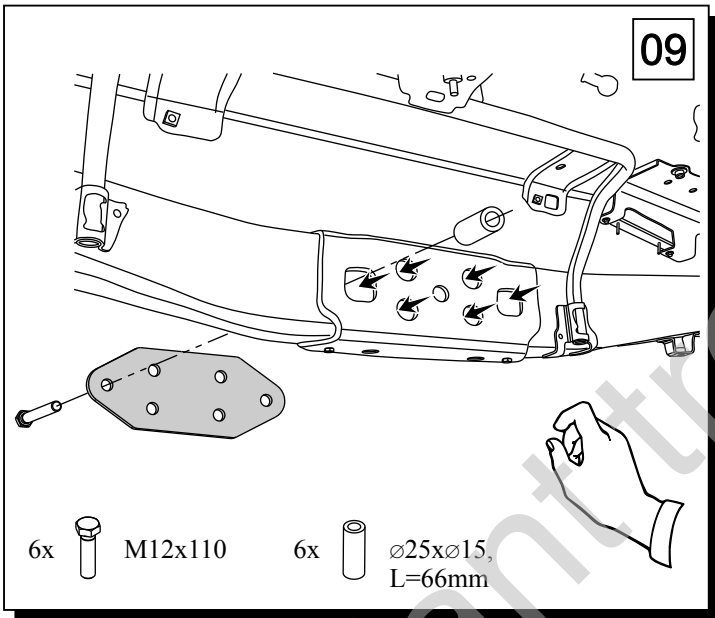
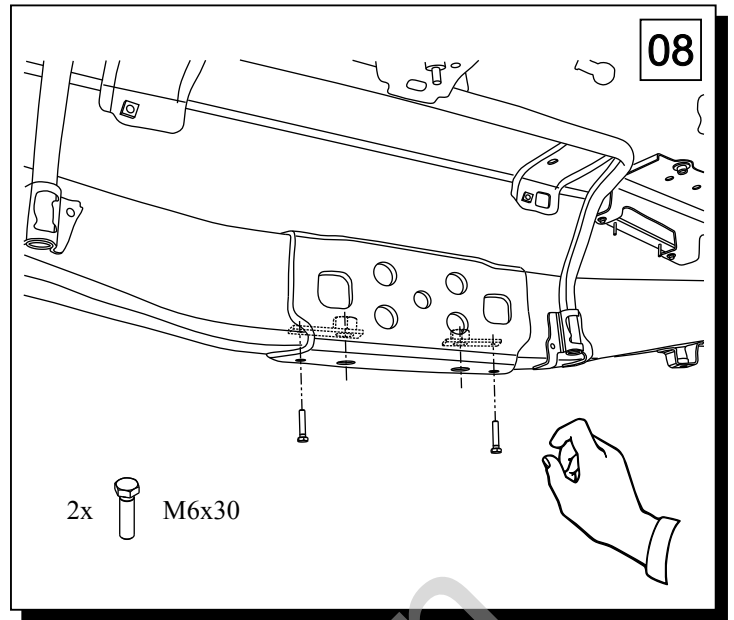
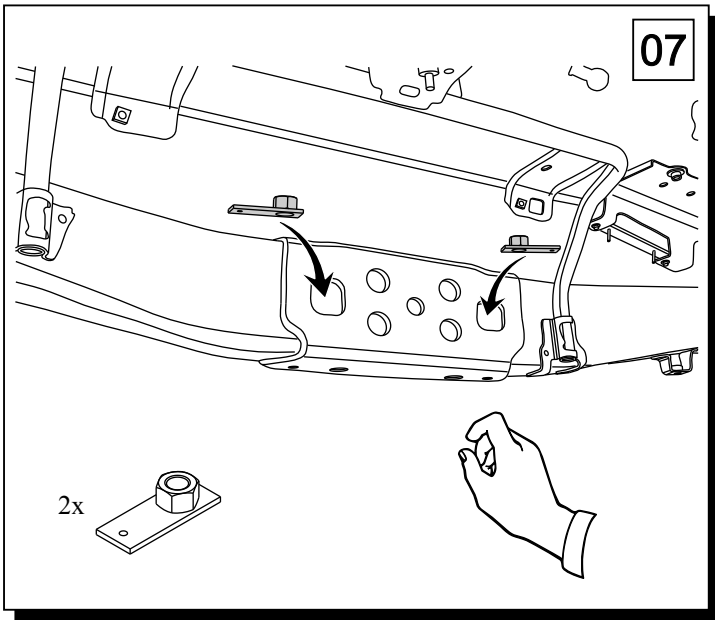
	M6 - 11 Nm	M8 - 25 Nm
	M10 - 50 Nm	M12 - 87 Nm
	M14 - 138 Nm	M16 - 210 Nm

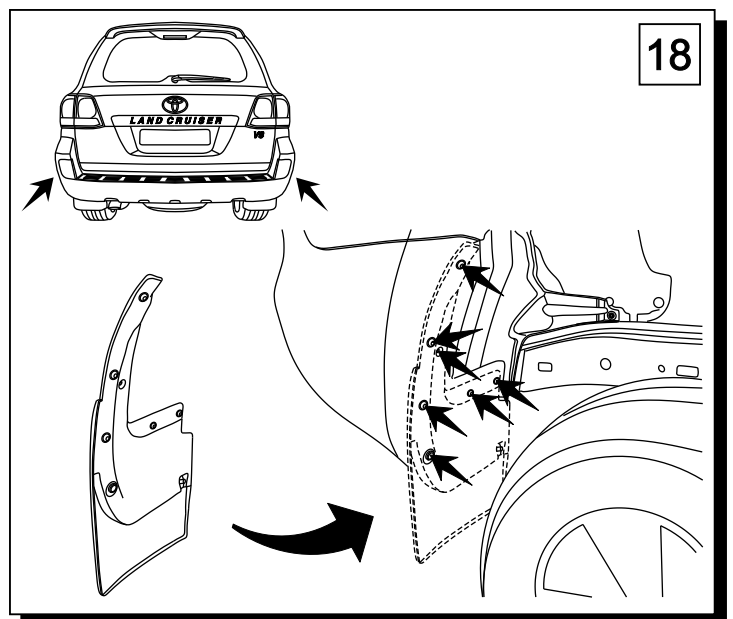
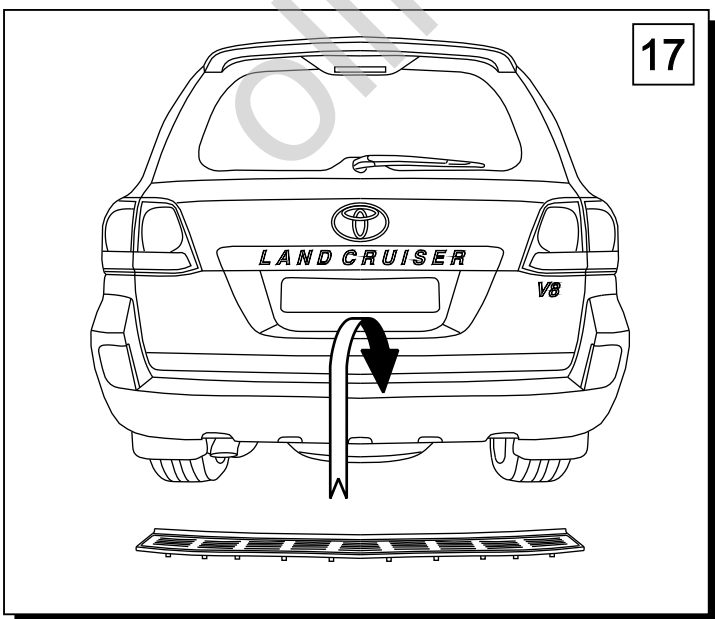
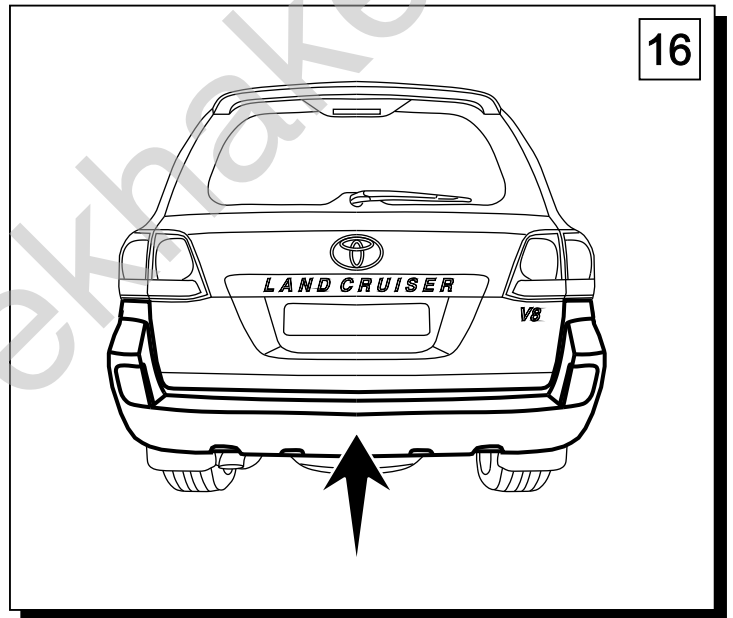
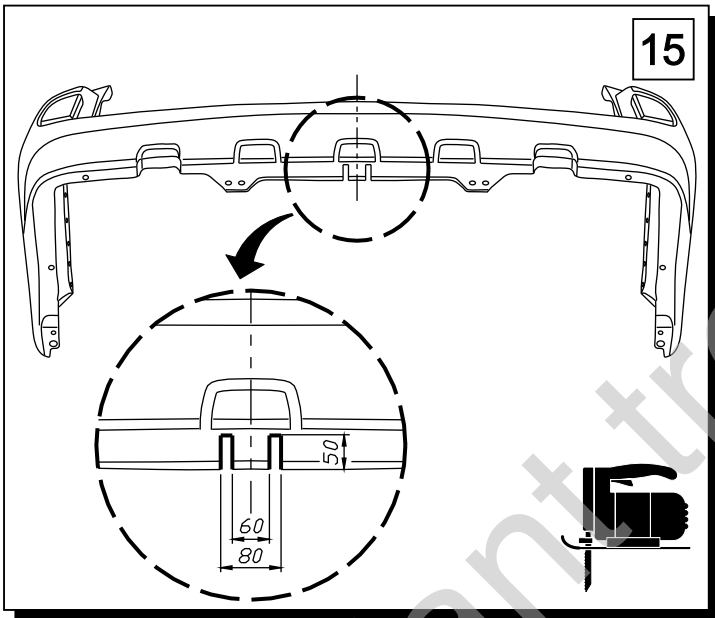
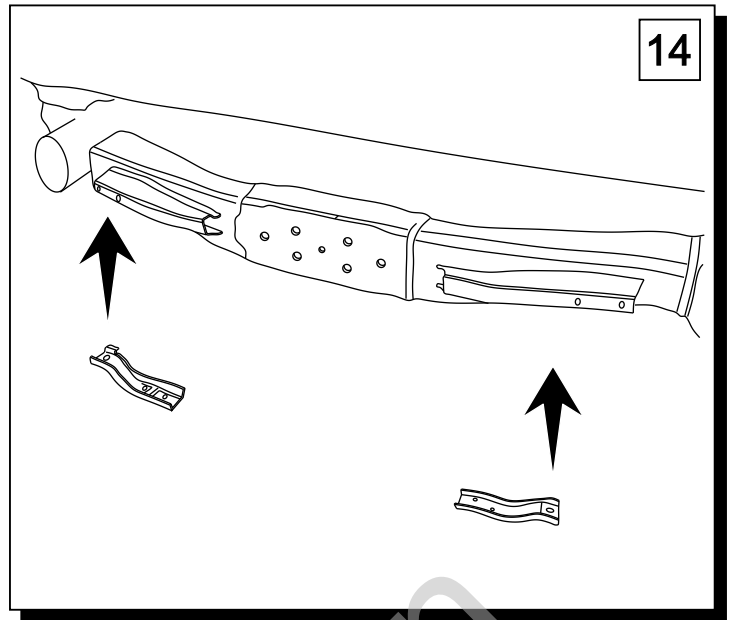
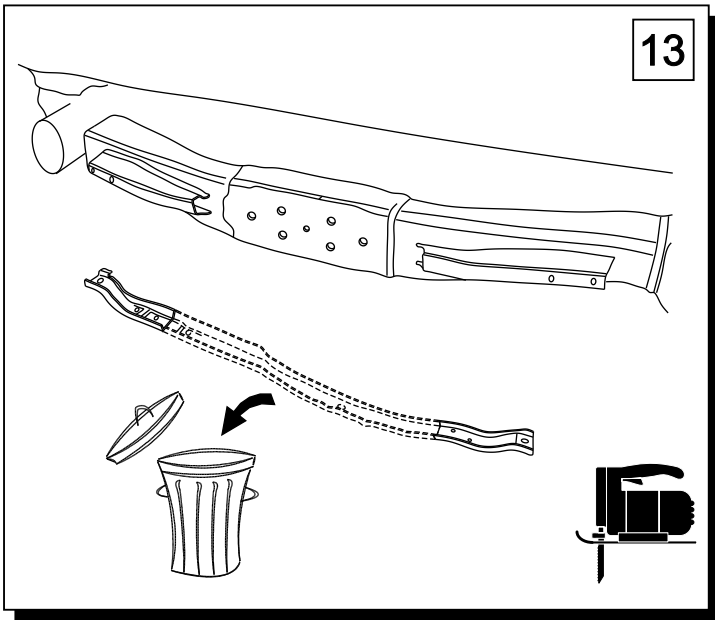
 **0 km** →  **1000 km**

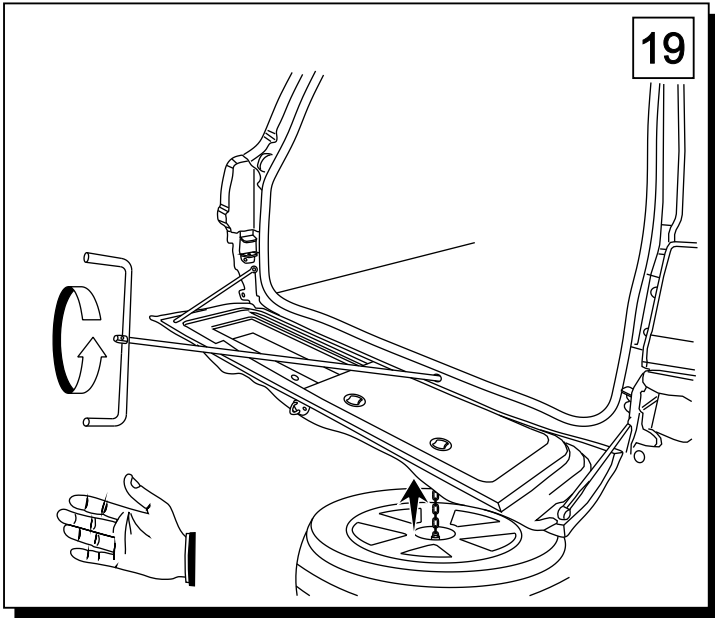


1 	x 1		7 M16x50	x 2
			8 M12x110	x 6
			9 M10x30	x 1
			10 M6x30	x 2
			11 M12	x 6
			12 M10	x 1
2 	x 1		13 ϕ 17	x 2
			14 ϕ 13	x 6
			15 ϕ 10.5	x 1
3 	x 1		16 ϕ 16.3	x 2
			17 ϕ 12.2	x 6
			18 ϕ 10.2	x 1
4 	x 1			
5 	x 2			
6 	x 6			

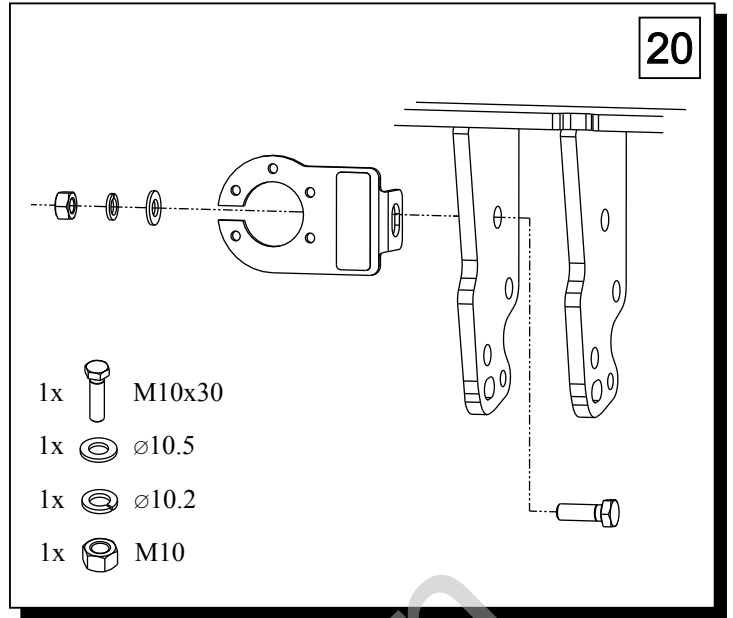










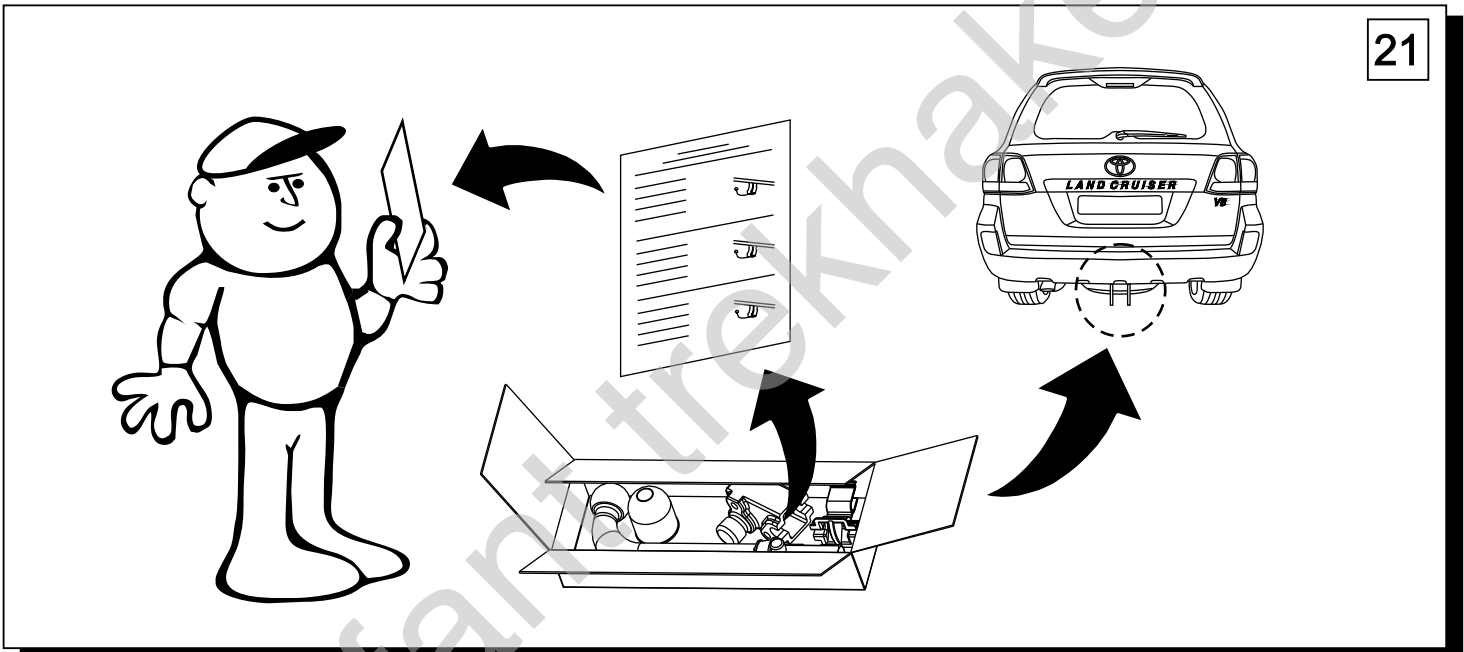


19






20

- 1x  M10x30
- 1x  Ø10.5
- 1x  Ø10.2
- 1x  M10



21

	M6 - 11 Nm	M8 - 25 Nm
	M10 - 50 Nm	M12 - 87 Nm
	M14 - 138 Nm	M16 - 210 Nm

 **0 km** →  **1000 km**