

AUTO-HAK Sp. z o.o.

ul. Słoneczna 16K 76-200 SŁUPSK
POLAND

tel/fax +48 59 8 414 414; +48 59 8 414 413

e-mail: office@autohak.com.pl

www.autohak.com.pl



AUTO-HAK



TOYOTA AURIS
3/5D., (E15)

~~HYBRID,~~ ~~2,2 HDI~~

Cat. no:

O68A



03.2007 → 12.2012



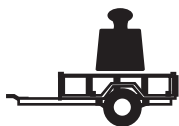
E20-55R-01 4185



2h

D

8,8 kN



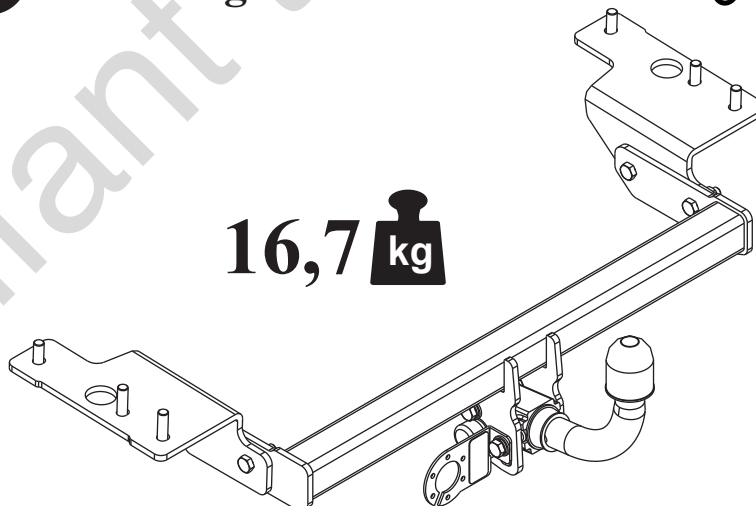
R=1600 kg



S=65 kg



16,7 kg



M6 - 11 Nm
M10 - 50 Nm
M14 - 138 Nm

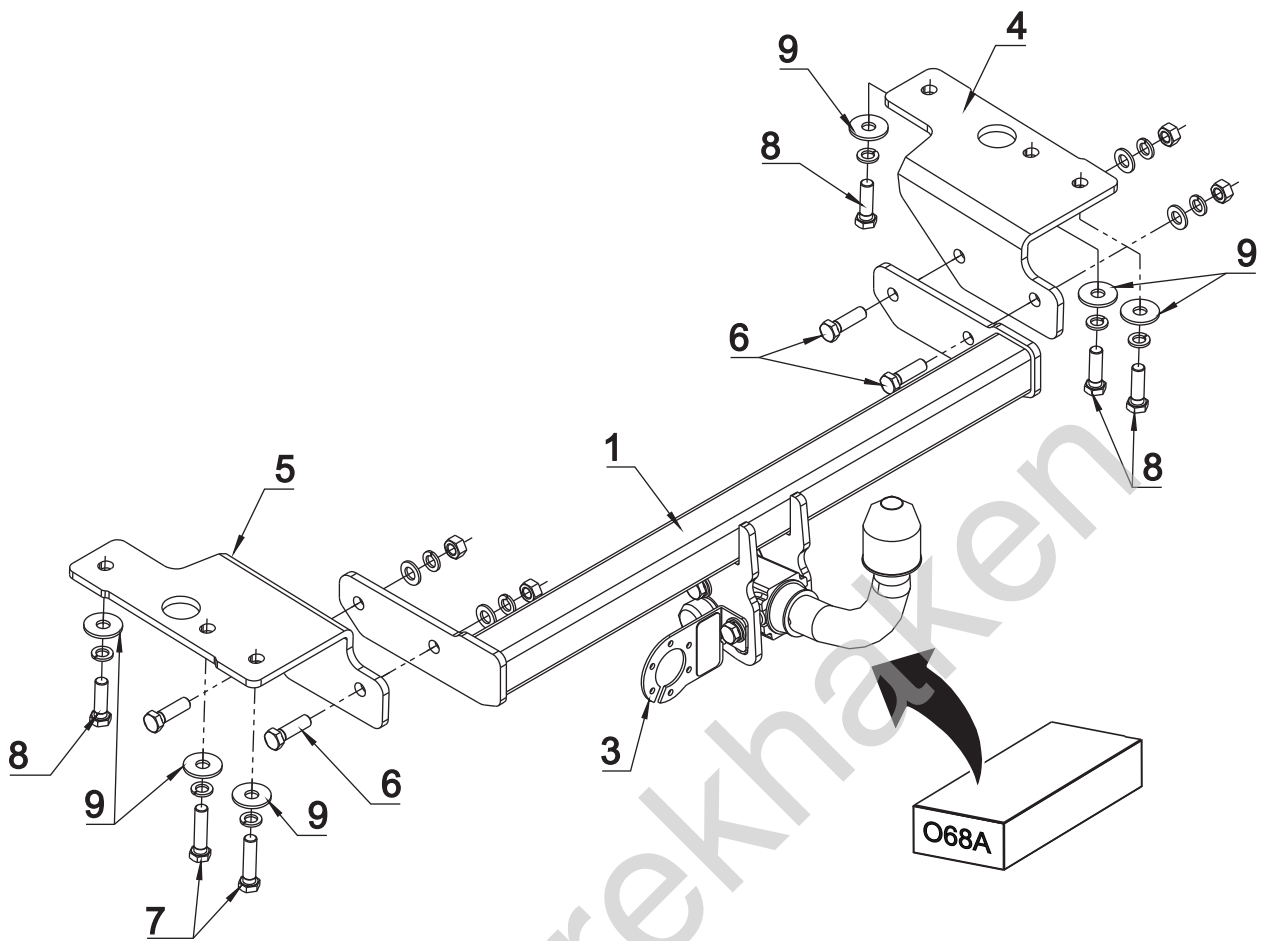
M8 - 25 Nm
M12 - 87 Nm
M16 - 210 Nm

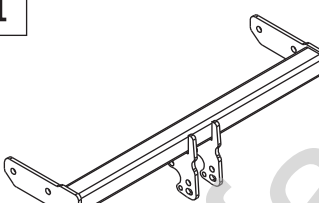
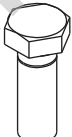
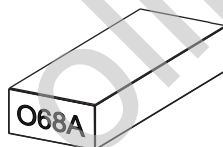



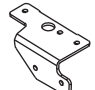

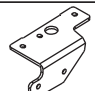





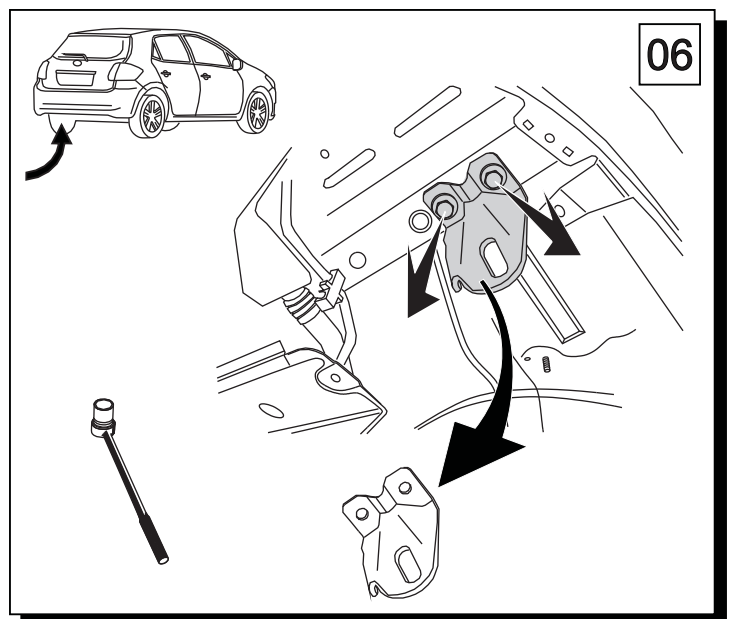
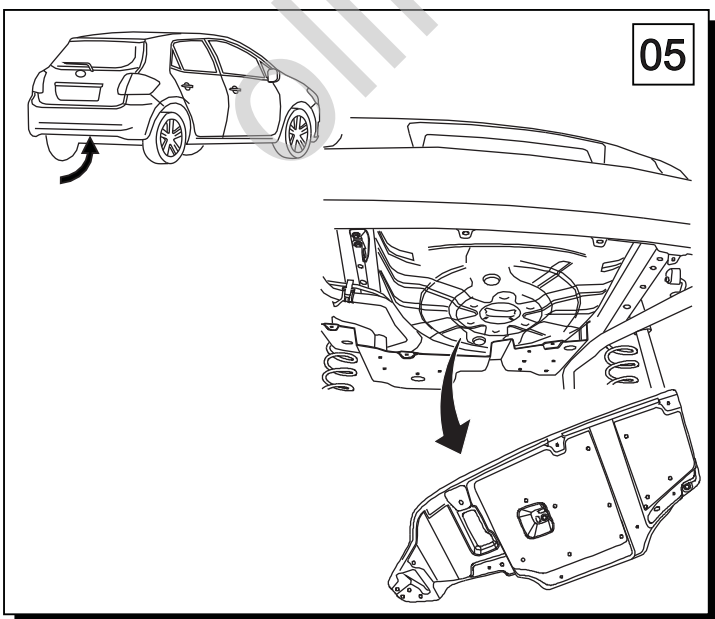
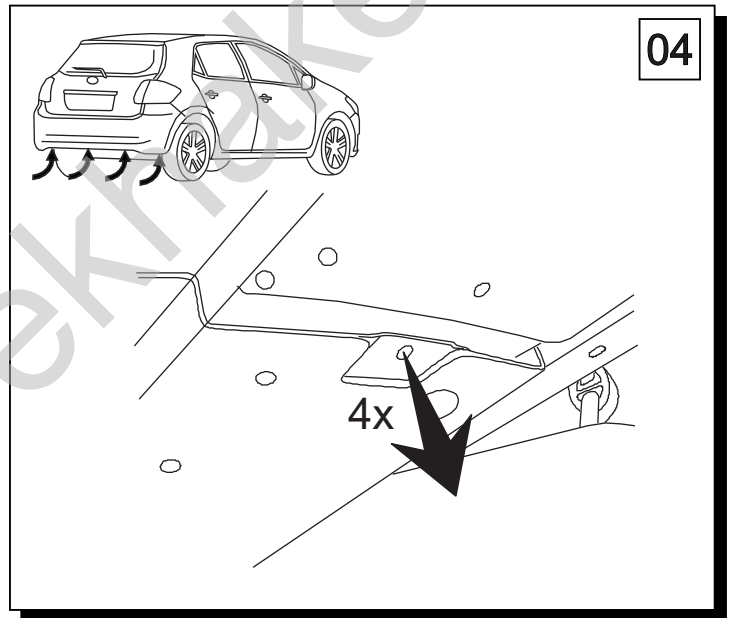
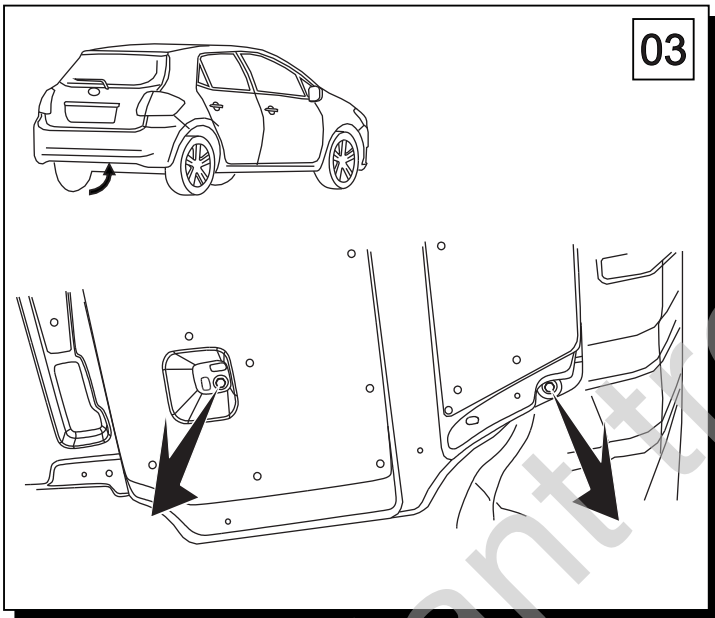
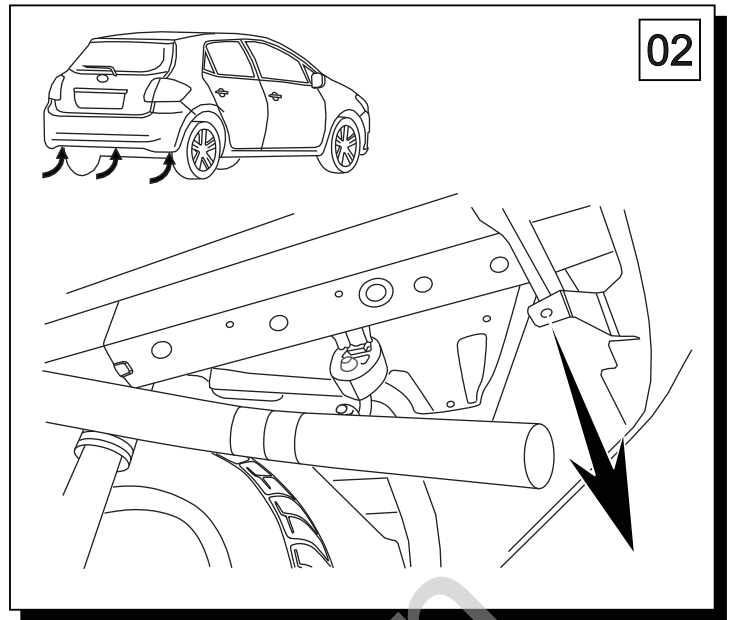
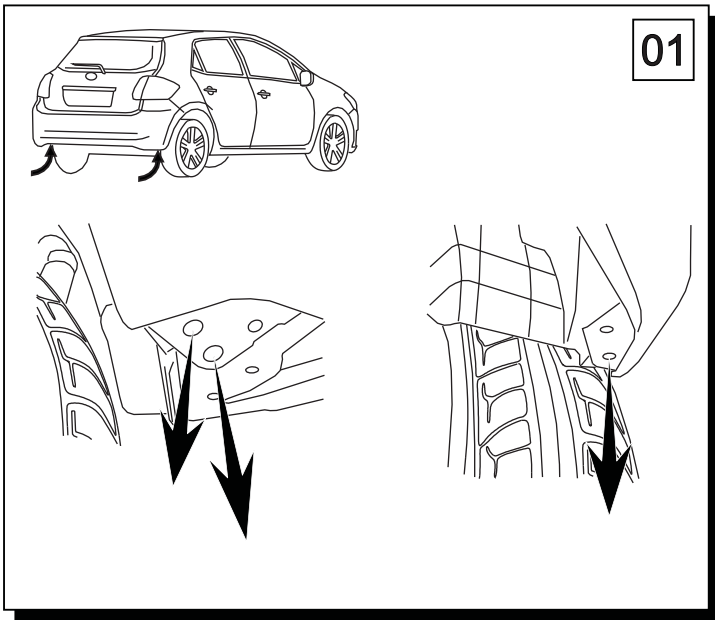
0 km →



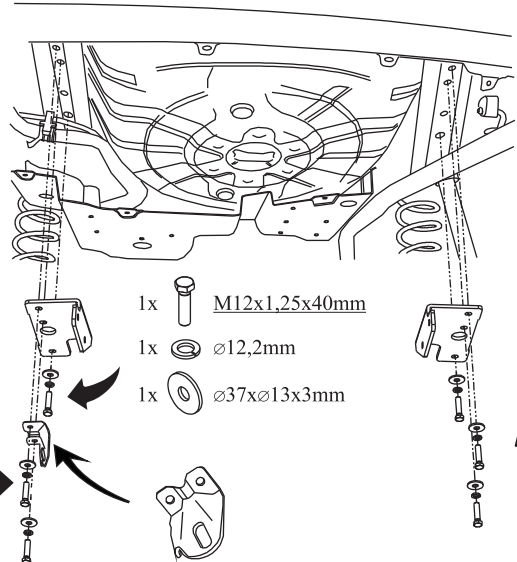
1000 km



1 	x 1		6 M 12x40	x 4
2 	x 1 Art.nr-KL1O68A Art.nr-Z100		7 M 12x1.25x50	x 2
3 	x 1 Art.nr-BL1O68A		8 M 12x1.25x40	x 4
4 	x 1		9 ϕ 37x ϕ 13x3 13 (DIN 9021)	x 6
5 	x 1		10 ϕ 13	x 4
			11 ϕ 12.2	x 10
			12 M 12	x 4



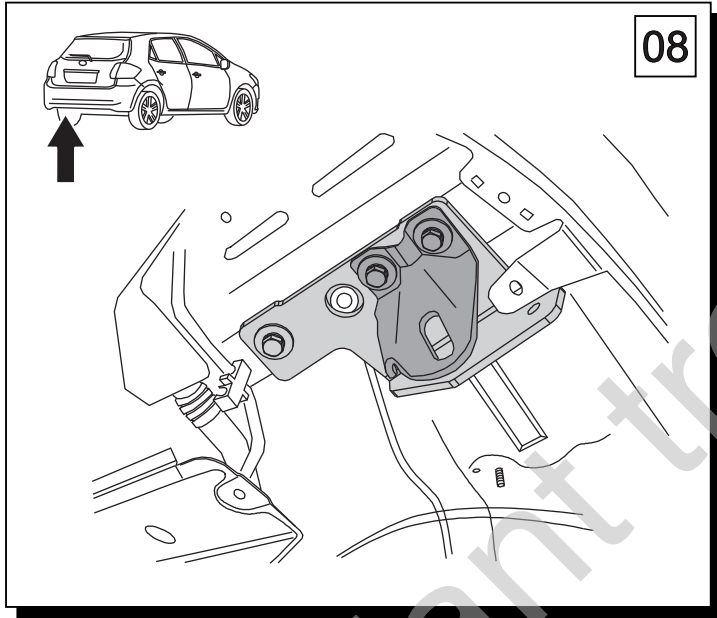
07



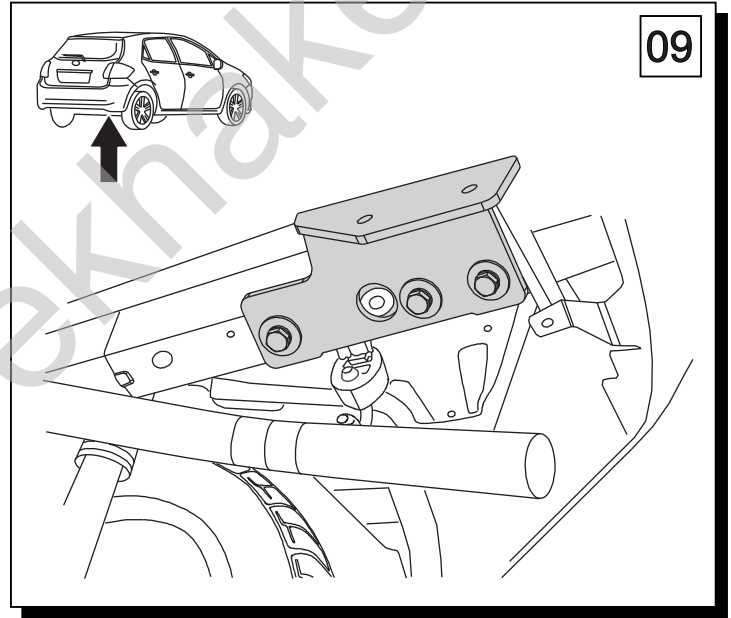
- 2x M12x1,25x50mm
- 2x Ø12,2mm
- 2x Ø37xØ13x3mm

- 1x M12x1,25x40mm
- 1x Ø12,2mm
- 1x Ø37xØ13x3mm

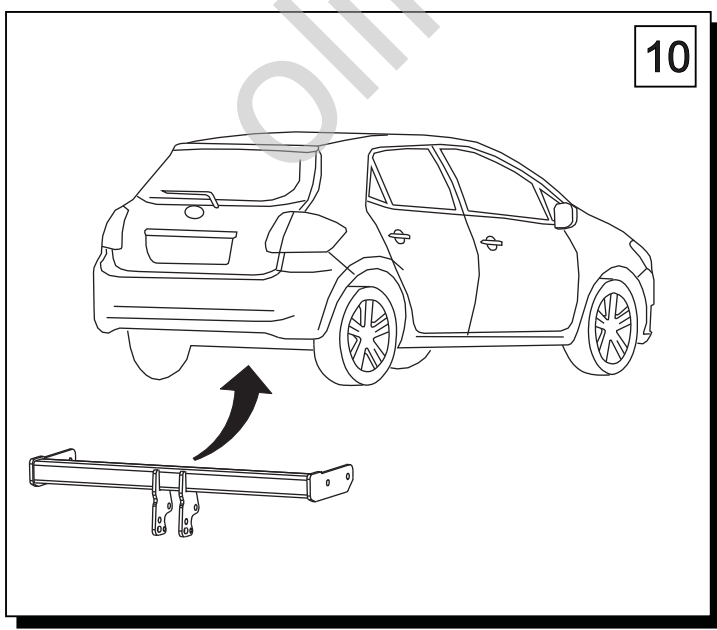
- 3x M12x1,25x40mm
- 3x Ø12,2mm
- 3x Ø37xØ13x3mm



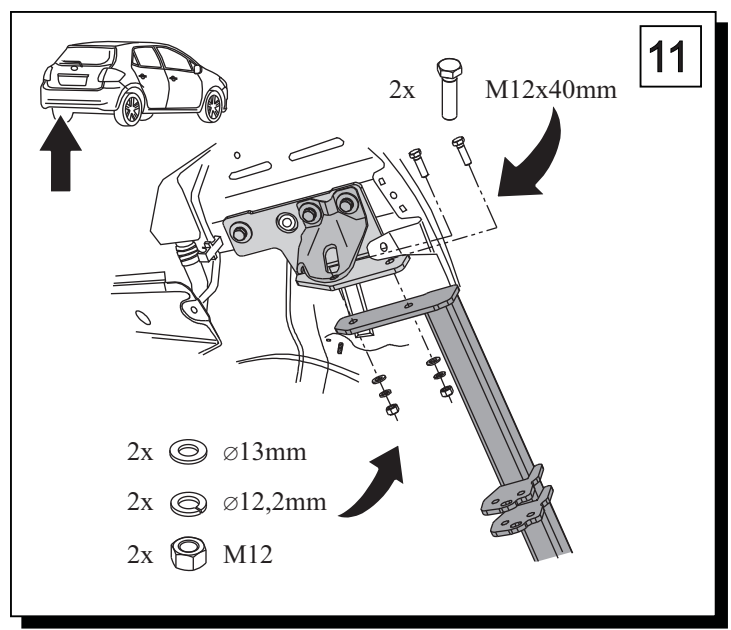
08



09



10



11

- 2x M12x40mm
- 2x Ø13mm
- 2x Ø12,2mm
- 2x M12

