

PPUH AUTO-HAK Sp.J.

Henryk & Zbigniew Nejman
ul. Słoneczna 16K 76-200 SŁUPSK
POLAND





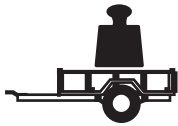





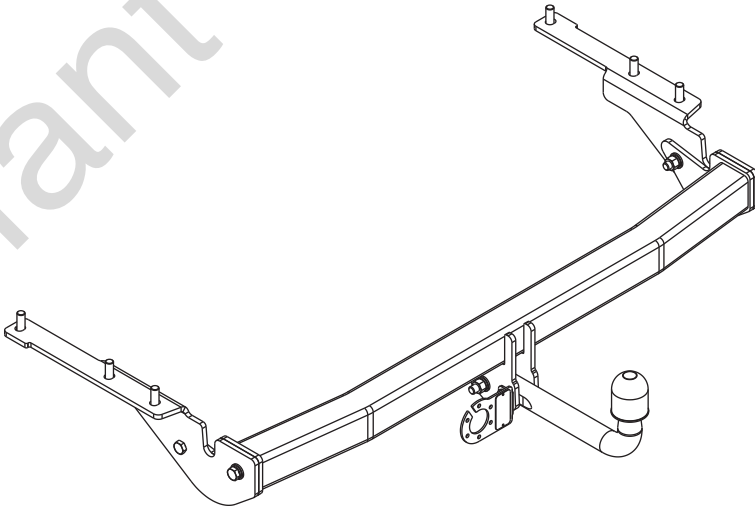



tel/fax +48 059 8-414-414; 8-414-413

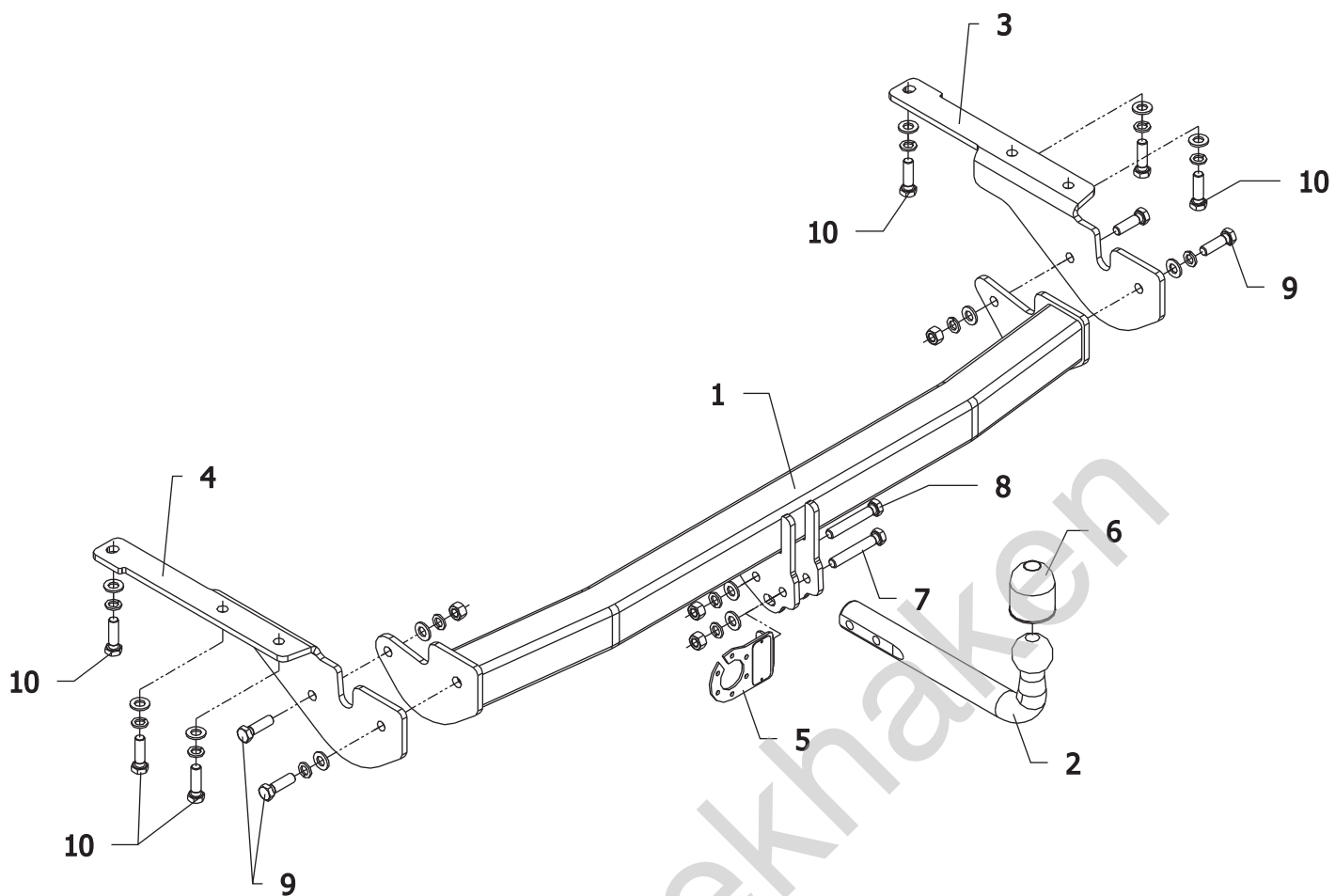
e-mail: office@autohak.com.pl

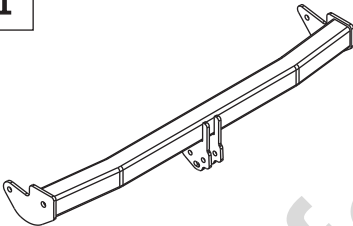



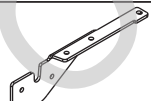

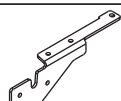

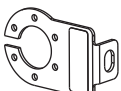
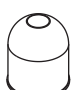
www.autohak.com.pl

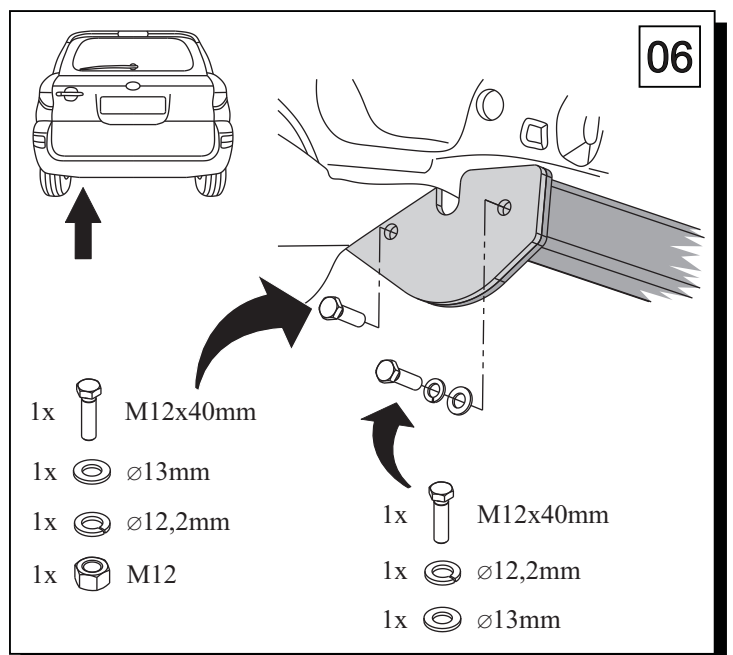
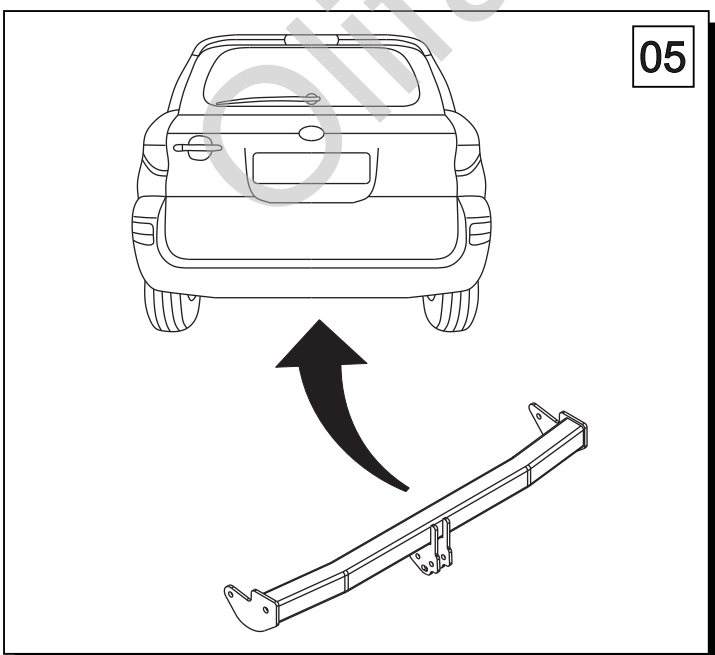
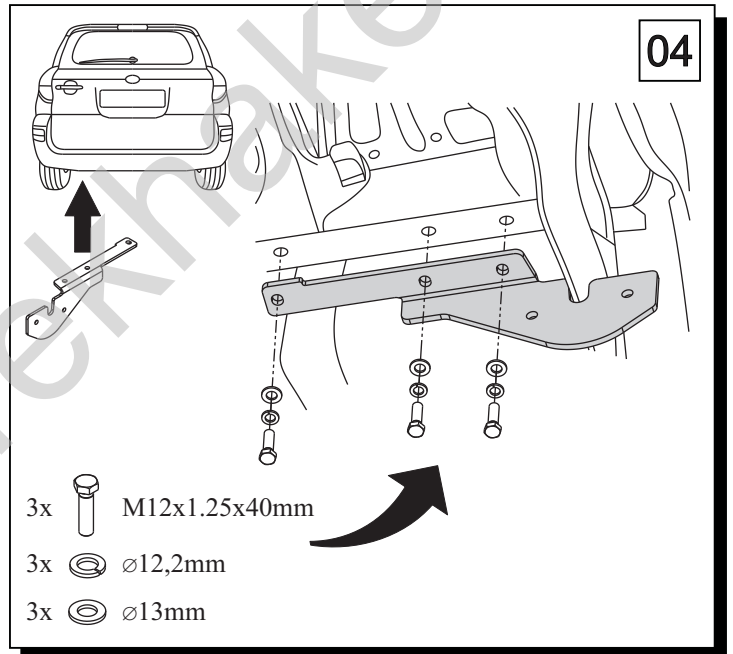
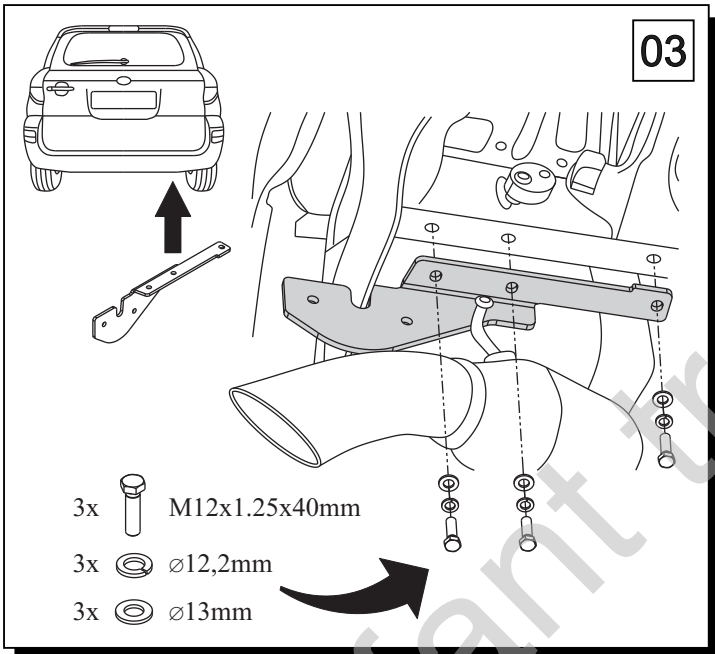
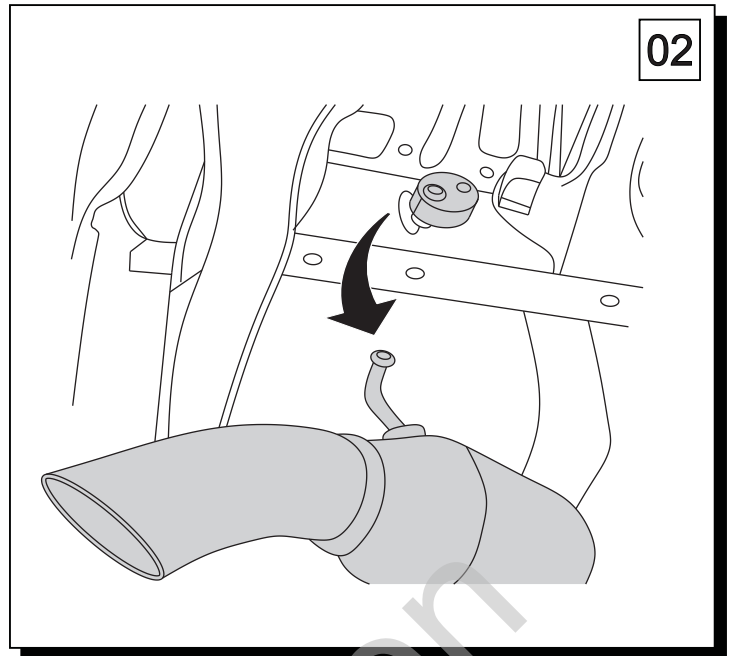
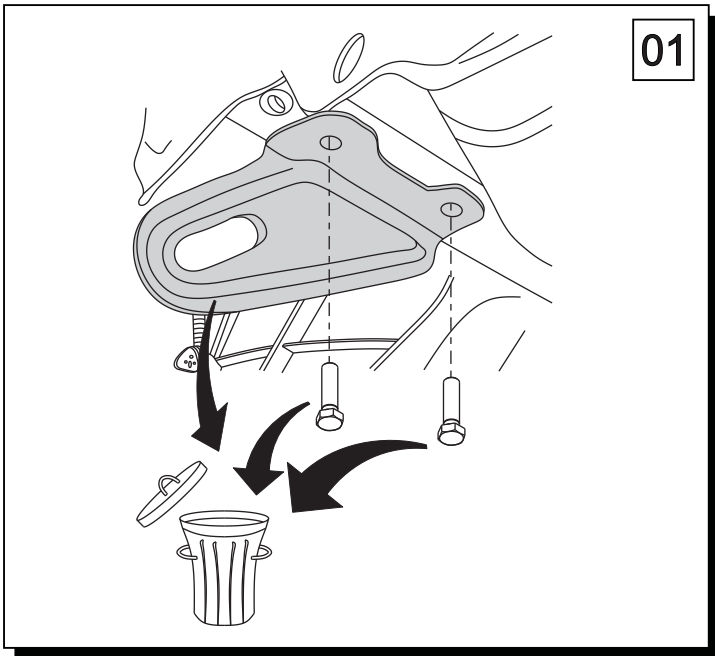


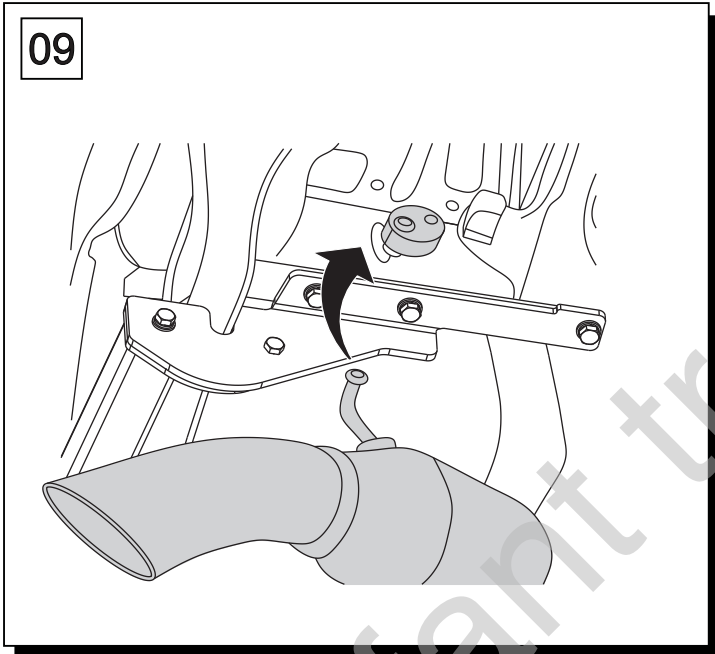
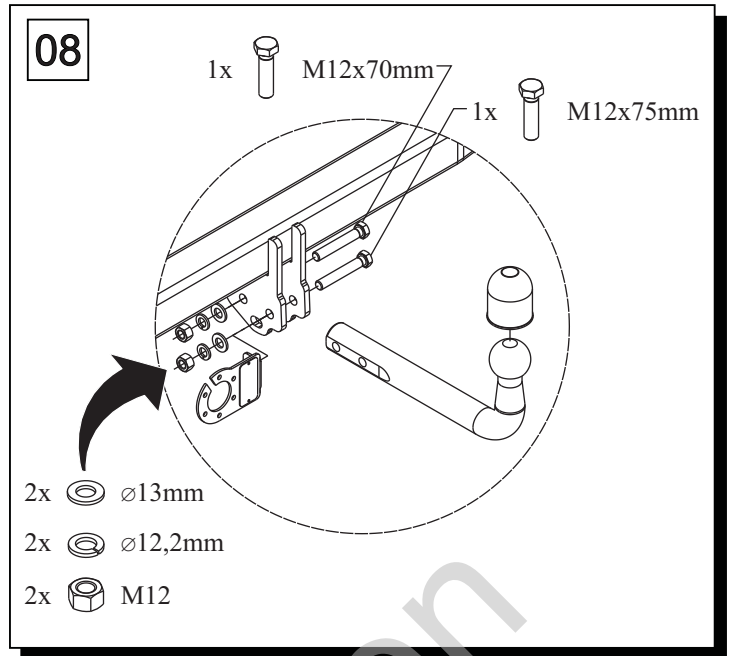
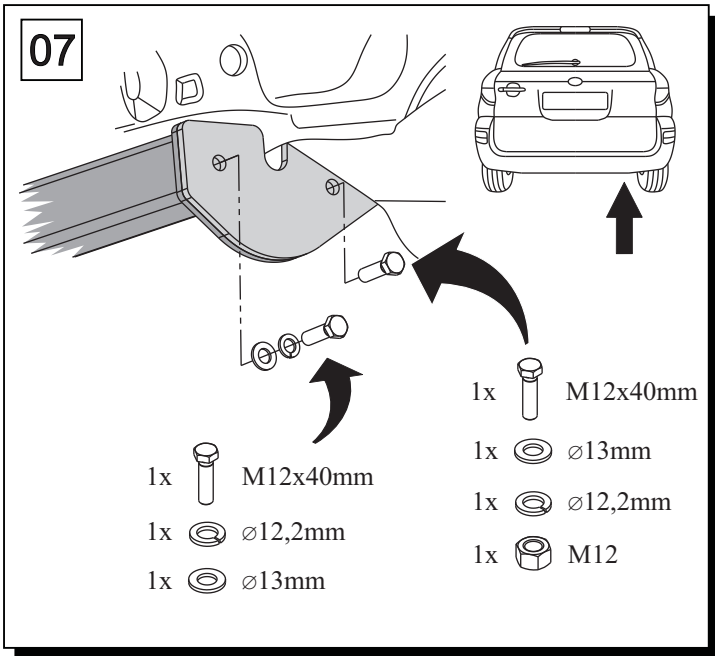
AUTO-HAK

		TOYOTA RAV-4 5D, model bez koła zapasowego model without the spare wheel	Cat. no: O66
	03.2006	→	04.2010
	05.2010	→	01.2013
e20	e20*94/20*0073*01		
D	10,25 kN		
	R=2000 kg		
	S=90 kg		
	2h		
	<input type="checkbox"/>		
	<input type="checkbox"/>		
	<input type="checkbox"/>		
			
	M6 - 11 Nm	M8 - 25 Nm	
	M10 - 50 Nm	M12 - 87 Nm	
	M14 - 138 Nm	M16 - 210 Nm	
	 0 km	→	 1000 km



1		x1		7	M12x75	1
				8	M12x70	1
				9	M12x40	4
				10	M12x1,25x40	6
				11	∅ 13	12
2		x1				
	Art.nr-KL1066					
3		x1		12	∅ 12.2	12
4		x1			13	M12
5		x1				
	Art.nr-BL1066					
6		x1				





Olitabit trekhaken