

PPUH AUTO-HAK Sp.J.

Henryk & Zbigniew Nejman
ul. Słoneczna 16K 76-200 SŁUPSK
POLAND

tel/fax +48 059 8-414-414; 8-414-413

e-mail: office@autohak.com.pl

www.autohak.com.pl



AUTO-HAK



TOYOTA YARIS

3/5D(P90), Sport ~~FS~~

Cat. no:

065



01.2006 → 10.2011

e20

e20*94/20*0070*01



1,5h

D

6,8 kN



R=1250 kg



-

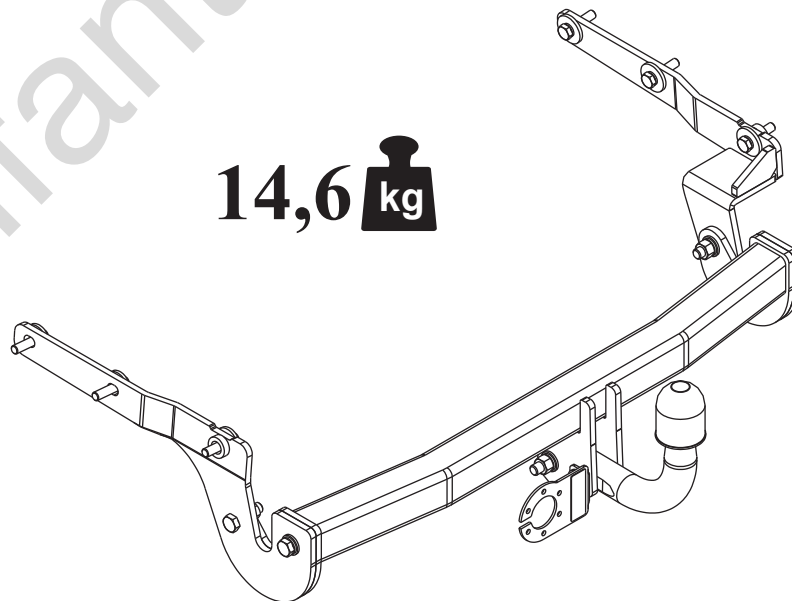


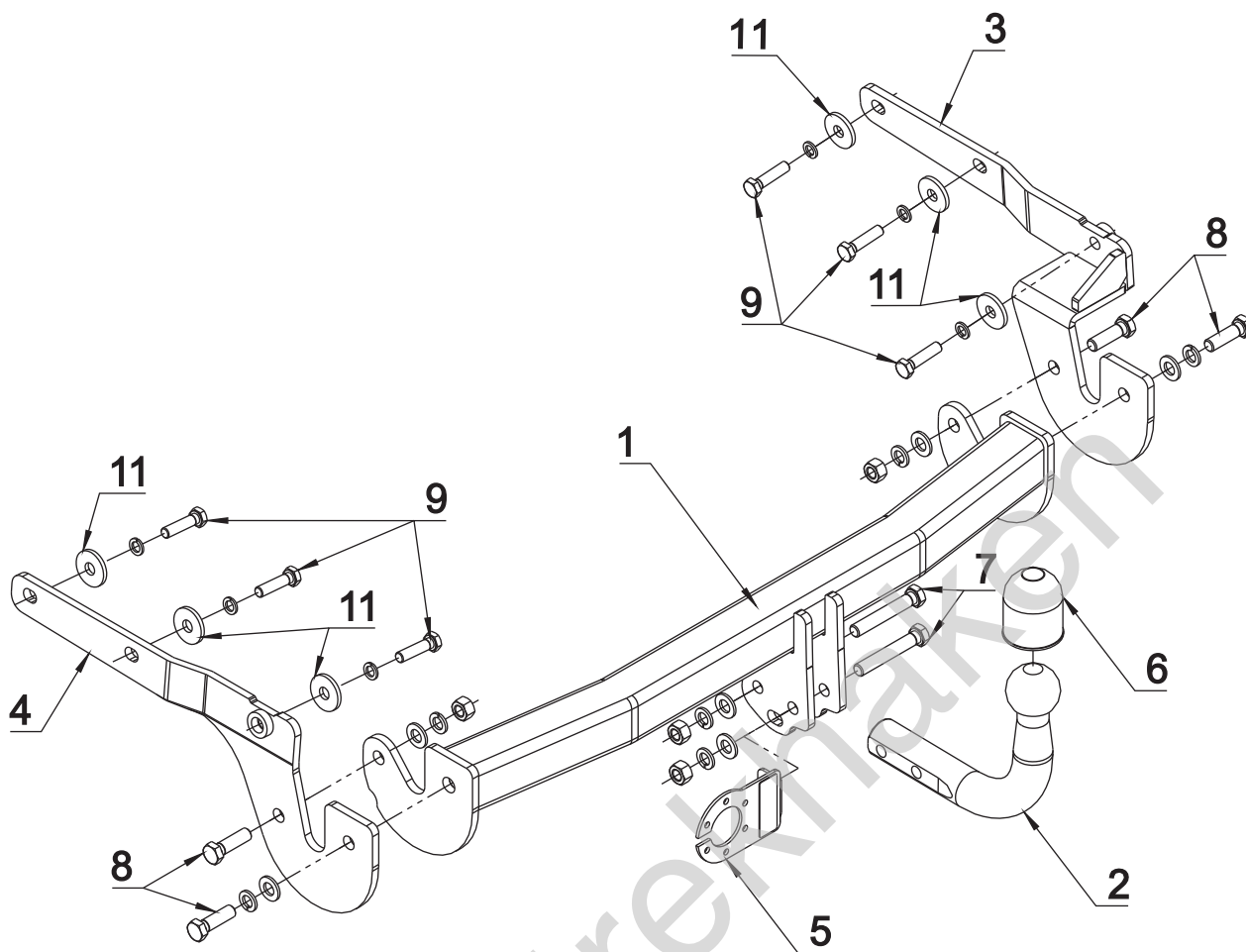
S=50 kg

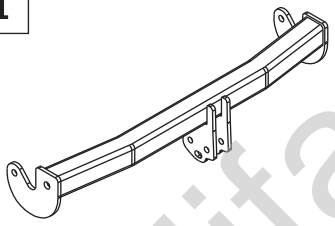
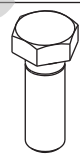
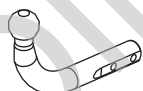

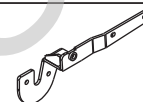



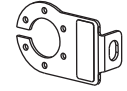





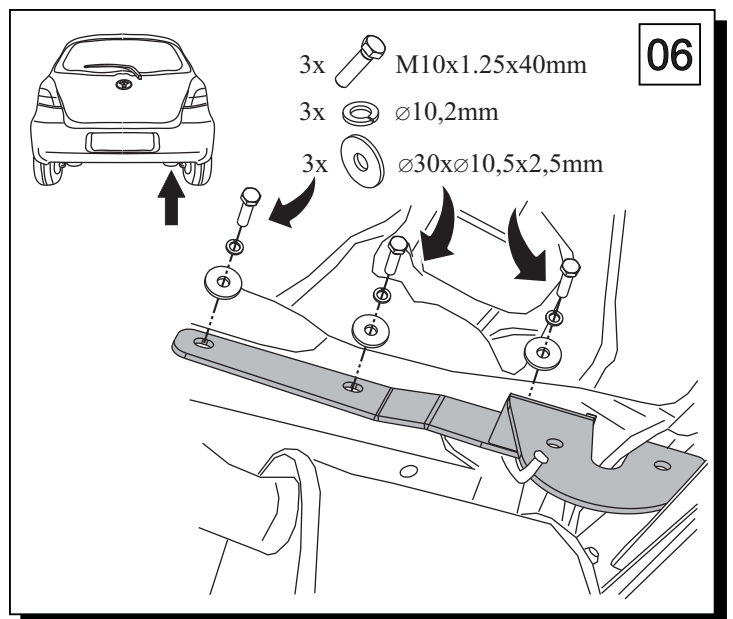
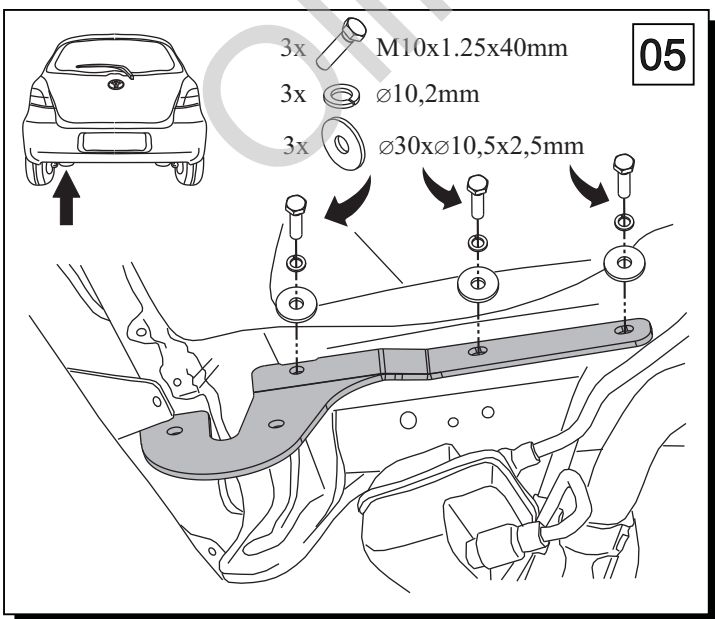
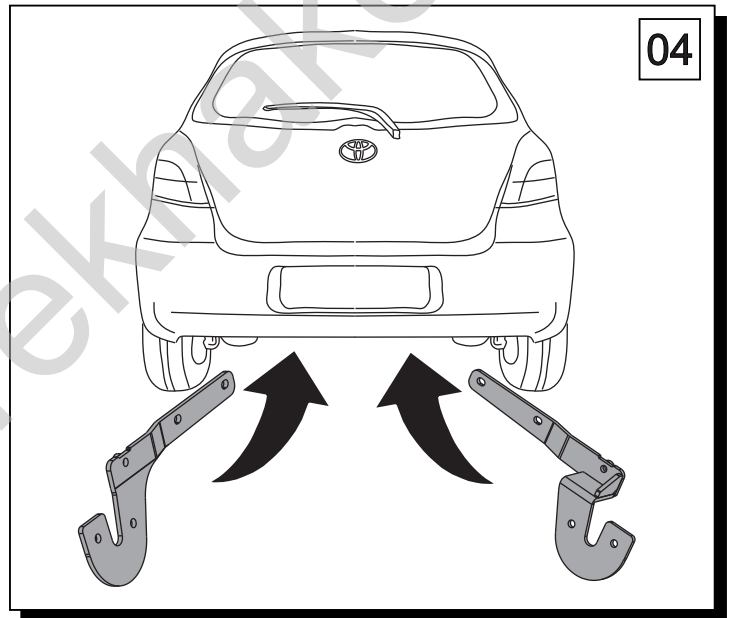
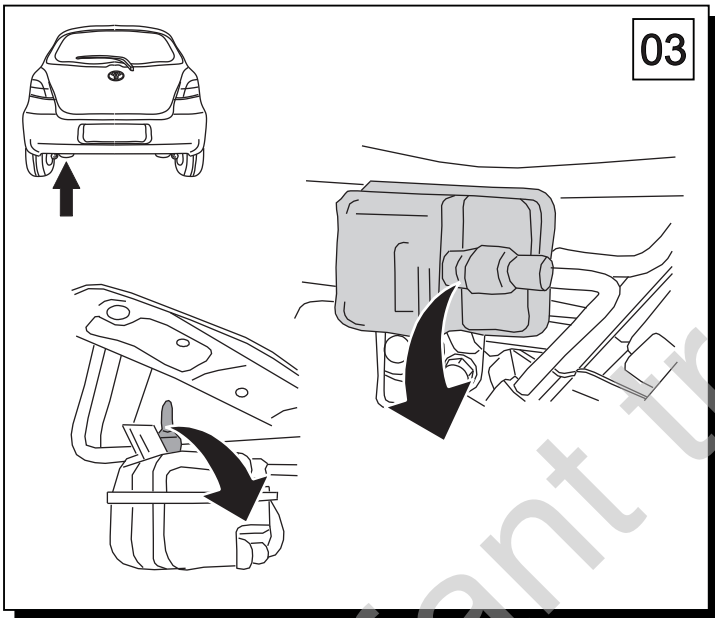
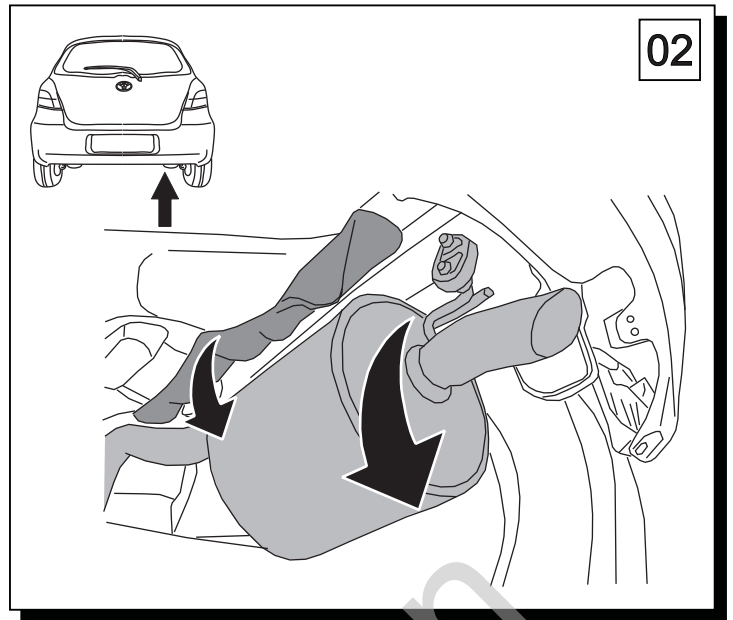
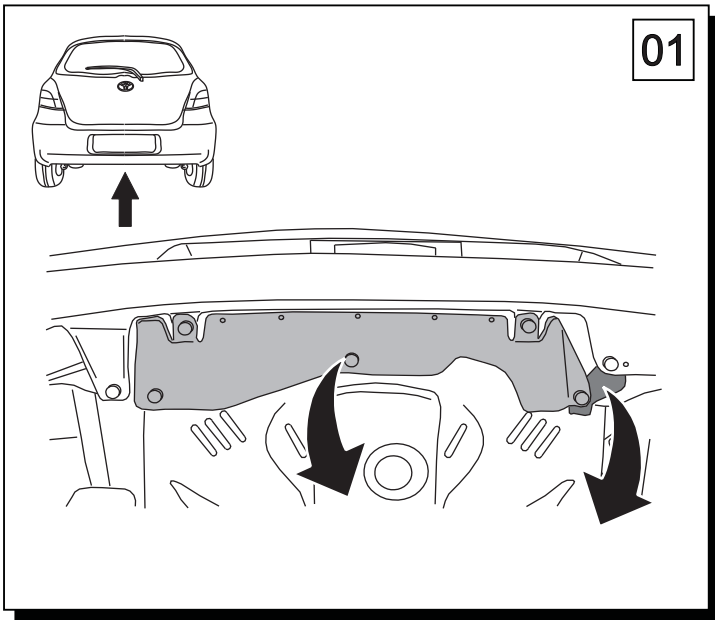
-

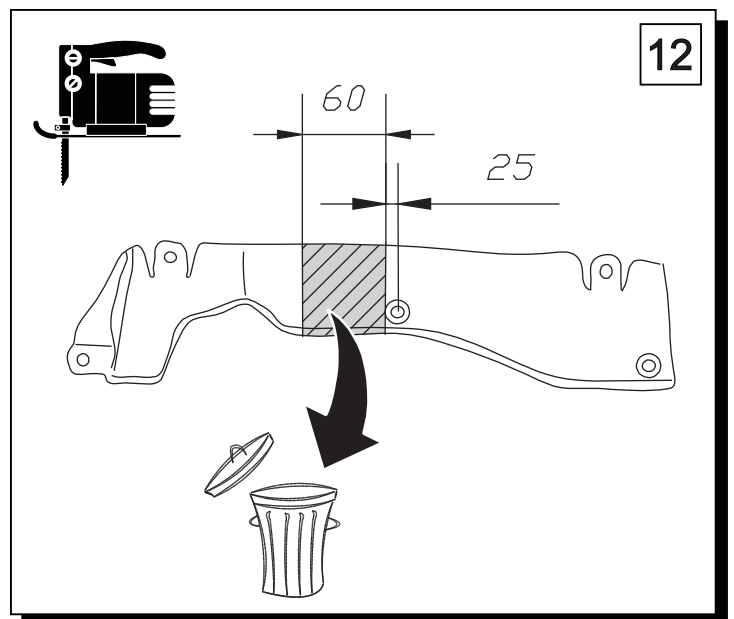
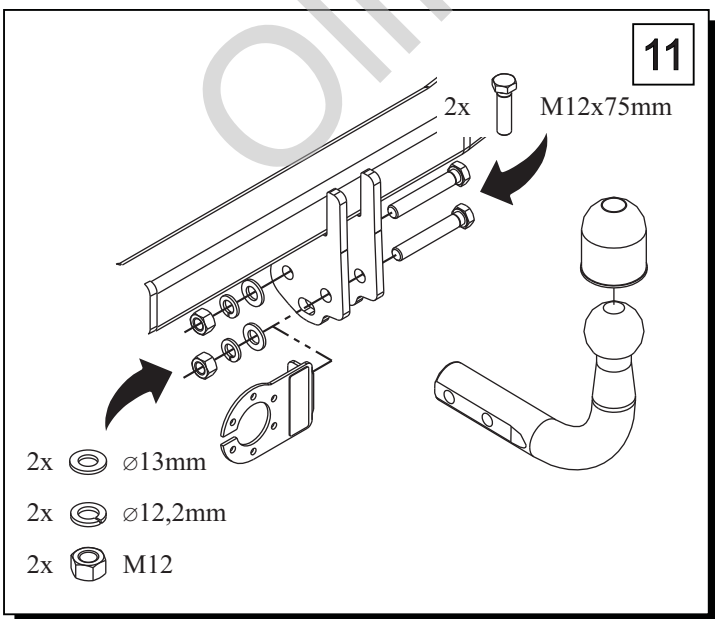
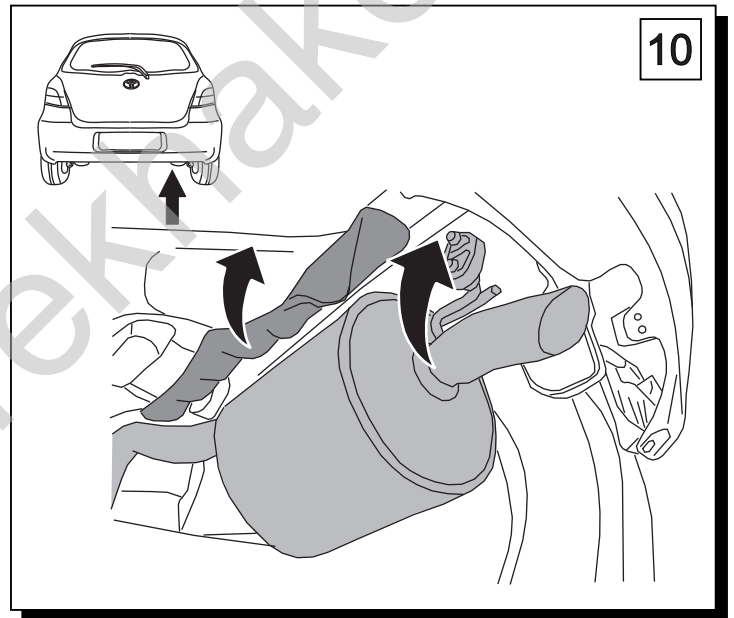
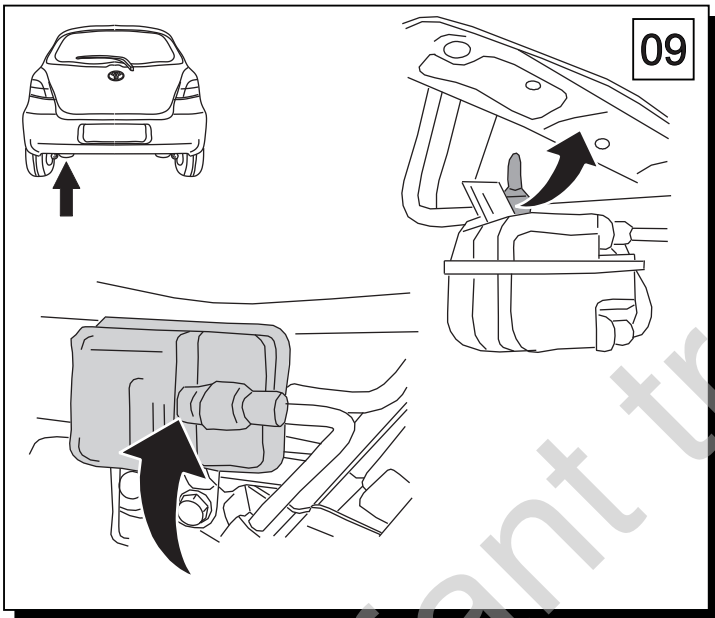
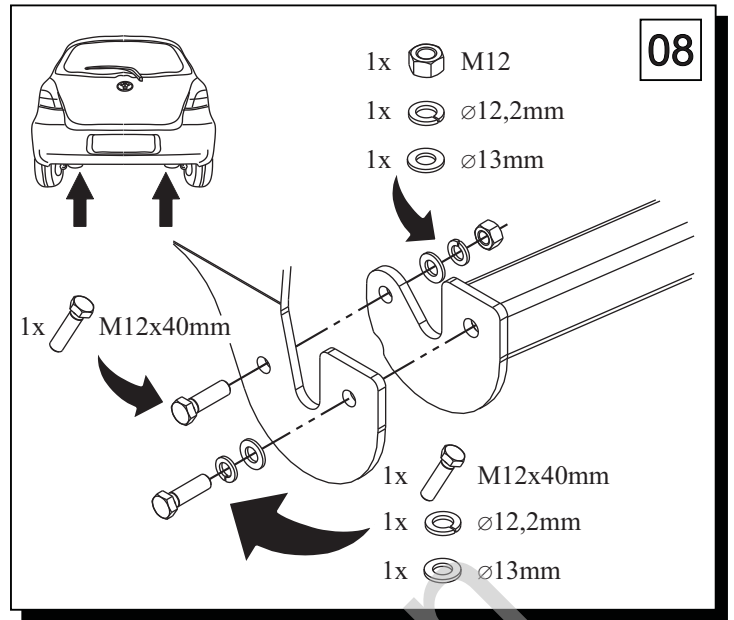
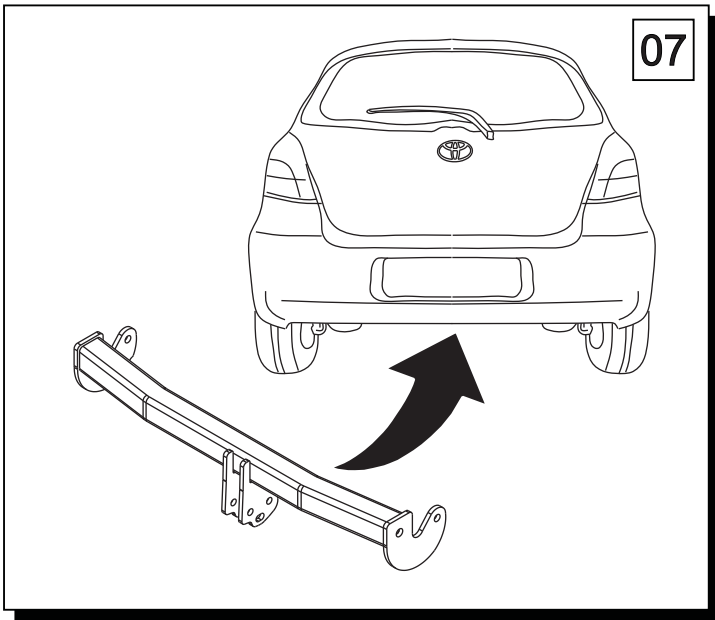
14,6 kg

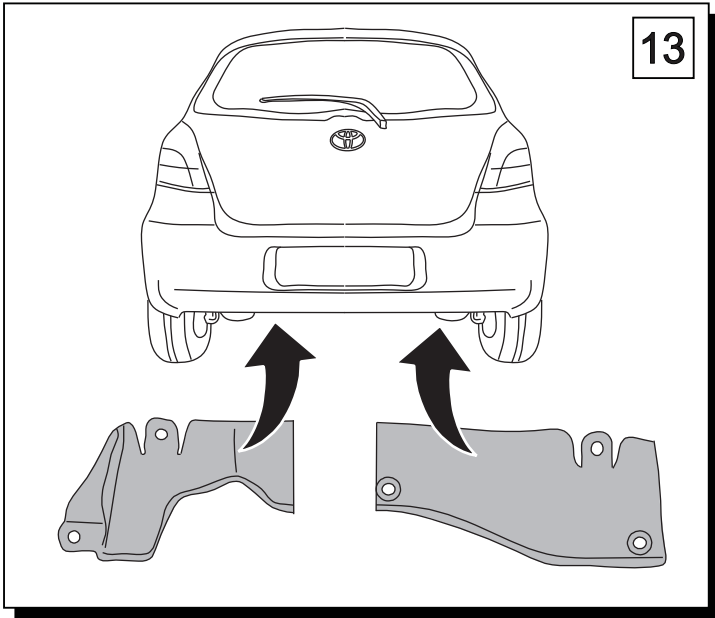




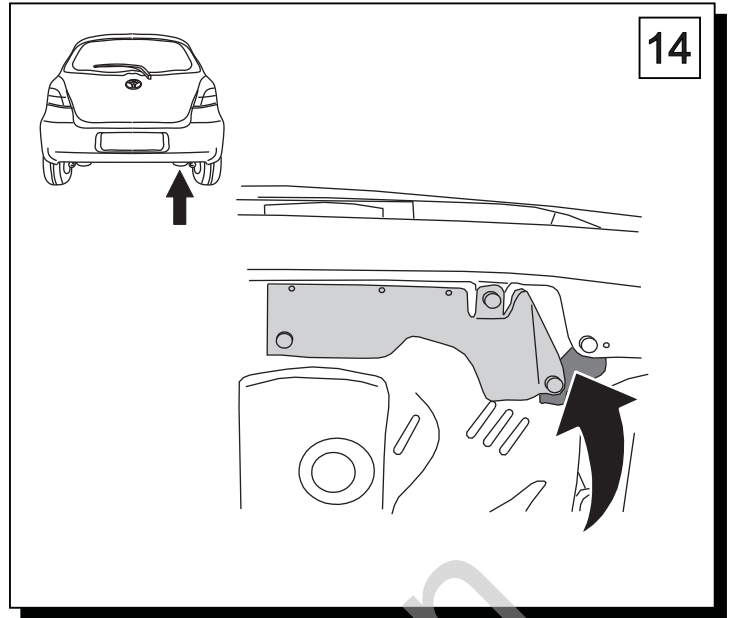
1		x 1		7	M 12x75	x 2
2		x 1 Art.nr-KL1065		8	M 12x40	x 4
3		x 1		9	M 10x1.25x40	x 6
4		x 1		10	∅ 13	x 6
5		x 1 Art.nr-BL1065		11	∅ 30x∅10.5x2.5 10 (DIN 9021)	x 6
6		x 1		12	∅ 12.2	x 6
				13	∅ 10.2	x 6
				14	M 12	x 4










13



14

	M6 - 11 Nm	M8 - 25 Nm
	M10 - 50 Nm	M12 - 87 Nm
	M14 - 138 Nm	M16 - 210 Nm
	 0 km →  1000 km	

Olifant trekkerten