

# PPUH AUTO-HAK Sp.J.

Henryk & Zbigniew Nejman  
ul. Słoneczna 16K 76-200 SŁUPSK  
POLAND

tel/fax +48 059 8-414-414; 8-414-413

e-mail: [office@autohak.com.pl](mailto:office@autohak.com.pl)

[www.autohak.com.pl](http://www.autohak.com.pl)



# AUTO-HAK



## TOYOTA CAMRY 4D, (V30)

Cat. no:

# O63A



11.2001 → 12.2005

e20

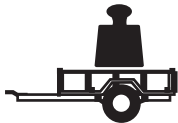
e20\*94/20\*0306\*00



1,5h

D

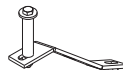
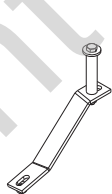
9,5 kN



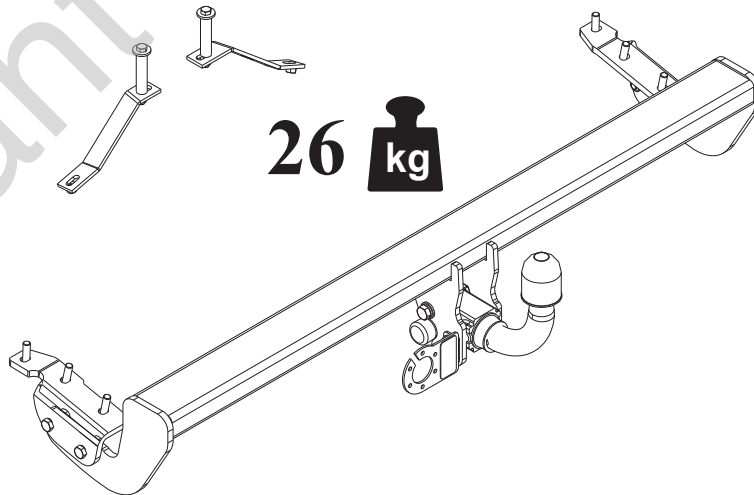
R=1700 kg



S=75 kg



26 kg



M6 - 11 Nm  
M10 - 50 Nm  
M14 - 138 Nm

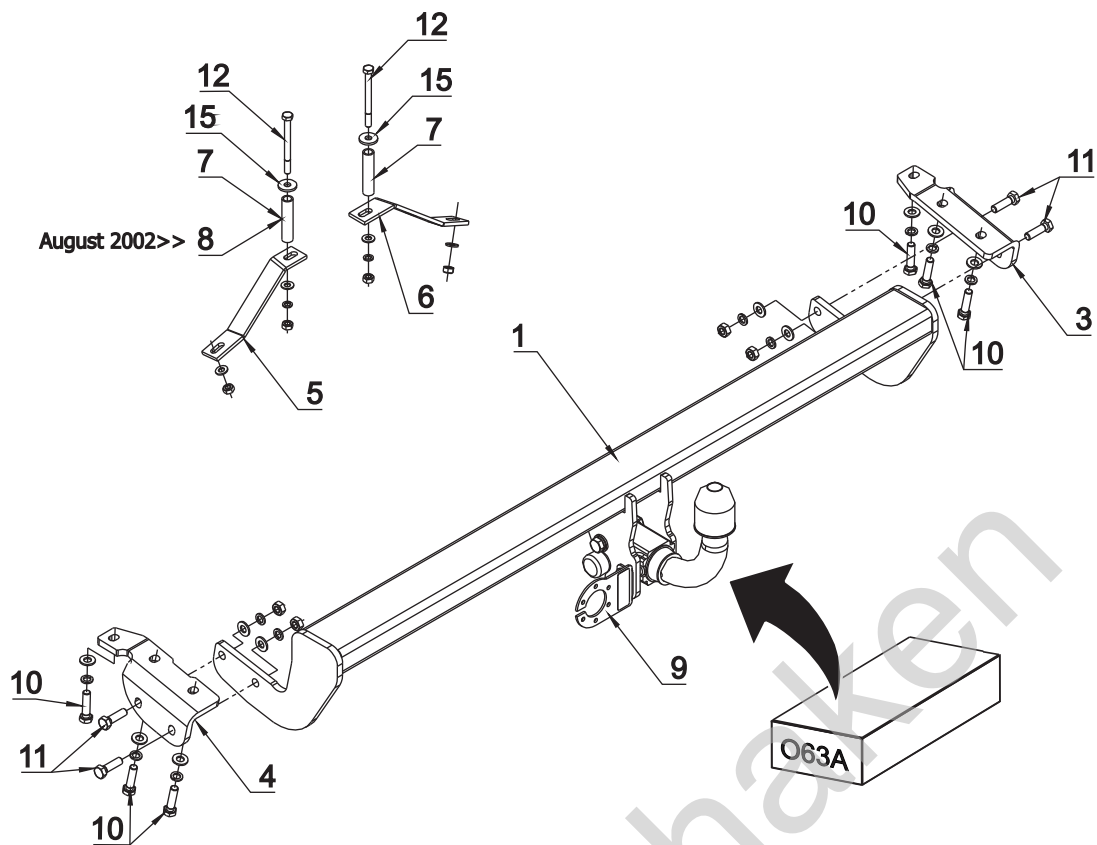
M8 - 25 Nm  
M12 - 87 Nm  
M16 - 210 Nm

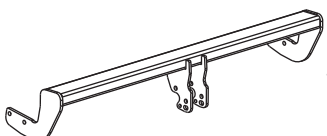

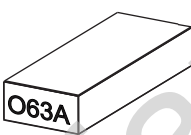

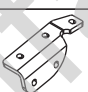

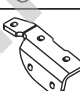

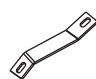

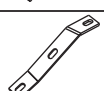

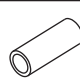


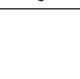
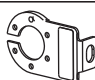


0 km →



1000 km



<b>1</b>		<b>x1</b>		<b>10</b> M10x1,25x40	<b>x6</b>
<b>2</b>	 Art.nr-KL1O63A Art.nr-Z100	<b>x1</b>		<b>11</b> M10x35	<b>x4</b>
<b>3</b>		<b>x1</b>		<b>12</b> M8x90	<b>x2</b>
<b>4</b>		<b>x1</b>		<b>13</b> $\phi$ 10.5	<b>x10</b>
<b>5</b>		<b>x1</b>		<b>14</b> $\phi$ 8.5	<b>x4</b>
<b>6</b>		<b>x1</b>		<b>15</b> $\phi$ 24x $\phi$ 8.5x2 8 (DIN 9021)	<b>x2</b>
<b>7</b>		<b>x2</b>		<b>16</b> $\phi$ 10.2	<b>x10</b>
<b>8</b> August 2002>>		<b>x1</b>		<b>17</b> $\phi$ 8.2	<b>x2</b>
<b>9</b>	 Art.nr-BL1O63A	<b>x1</b>		<b>18</b> M10	<b>x4</b>
				<b>19</b> M8	<b>x4</b>

