

PPUH AUTO-HAK Sp.J.

Henryk & Zbigniew Nejman
ul. Słoneczna 16K 76-200 SŁUPSK
POLAND



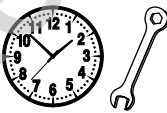
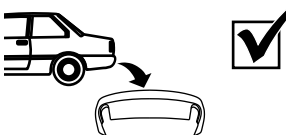
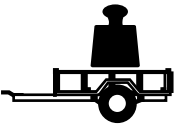

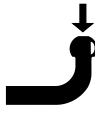
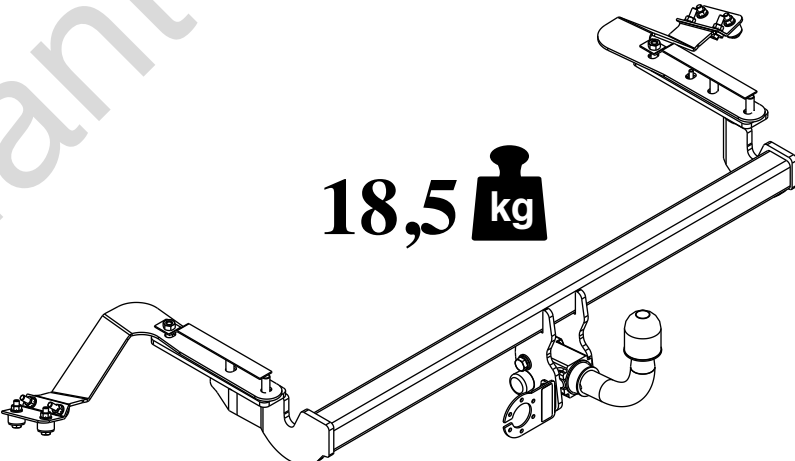



tel/fax +48 059 8-414-414; 8-414-413

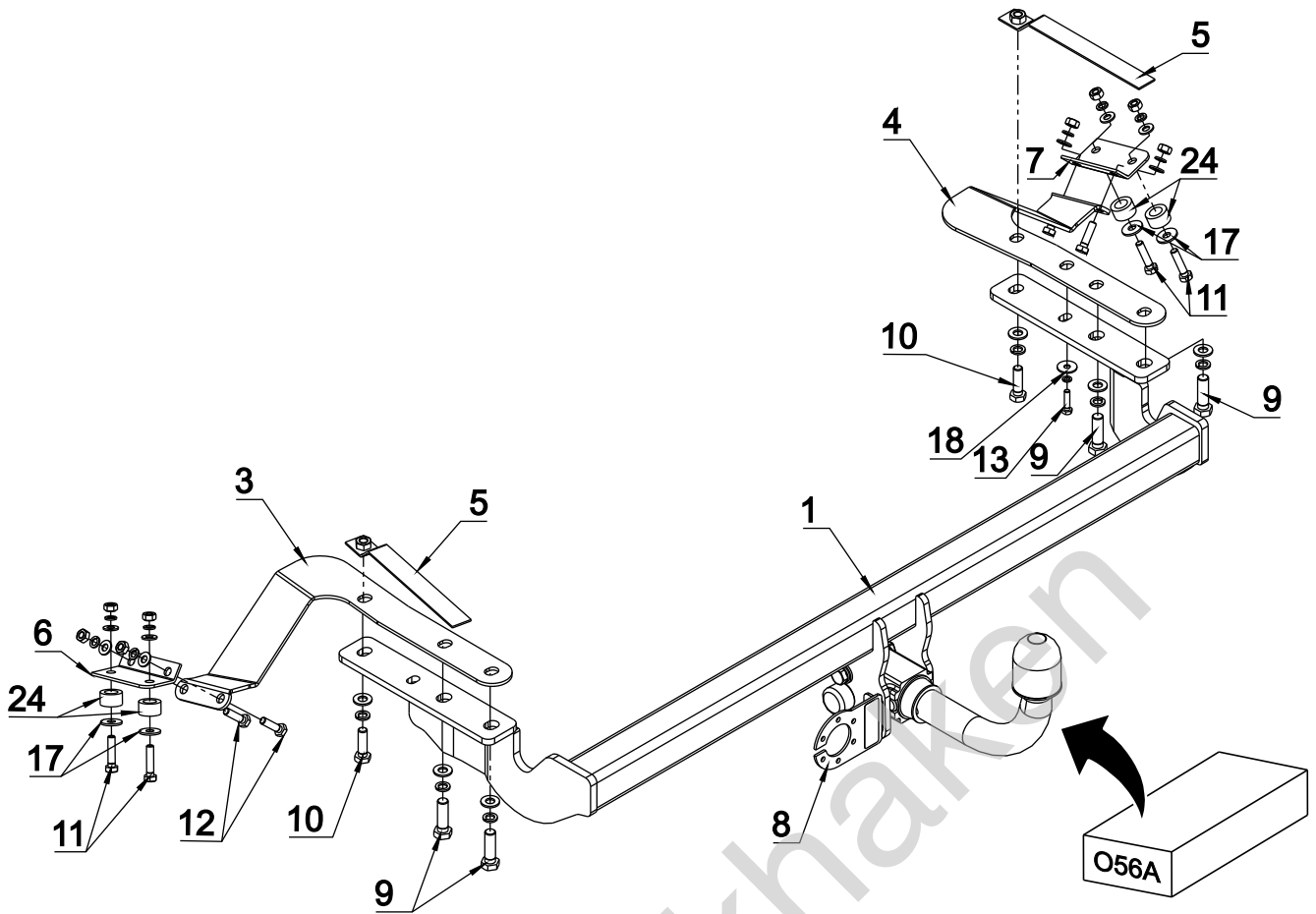
e-mail: office@autohak.com.pl

www.autohak.com.pl

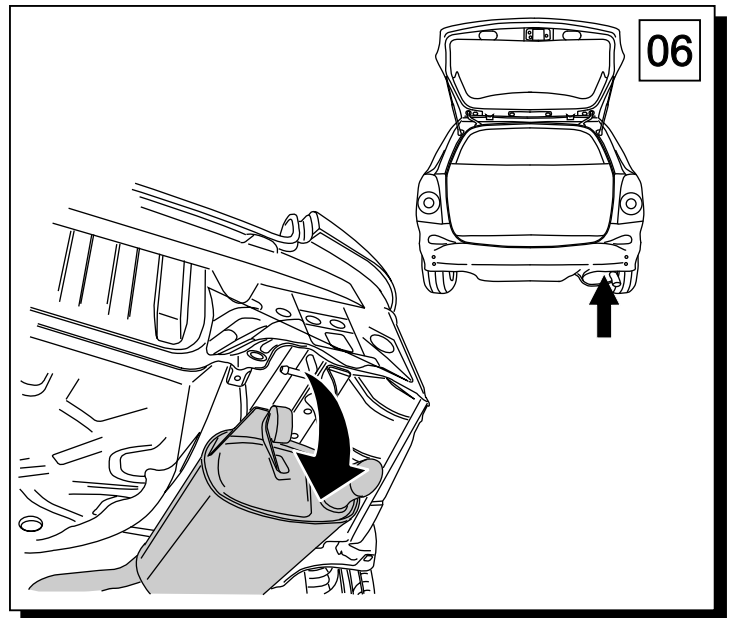
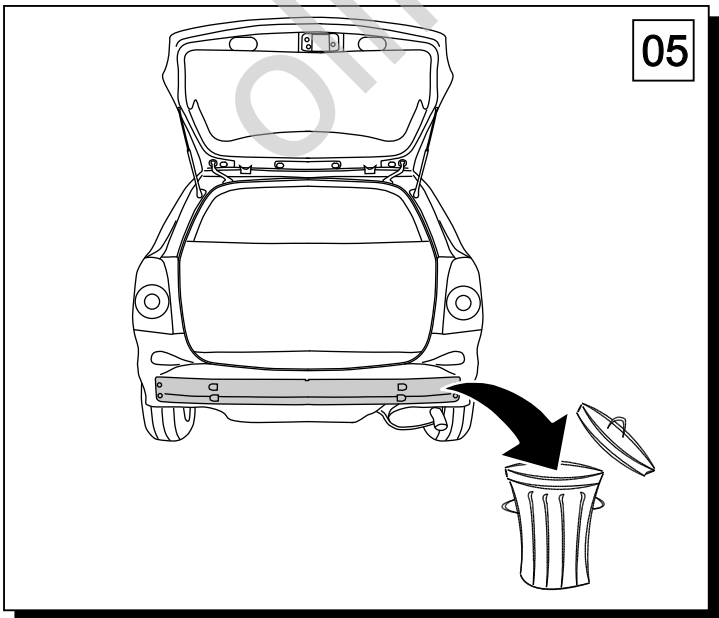
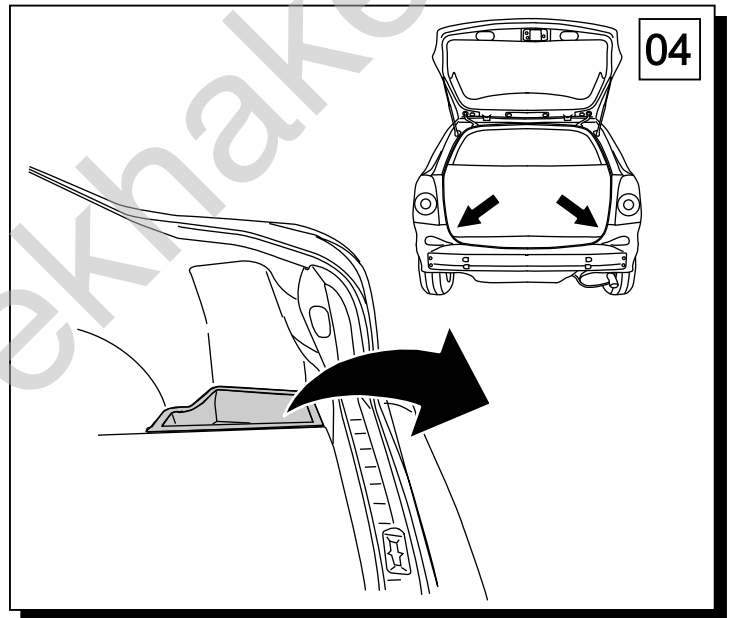
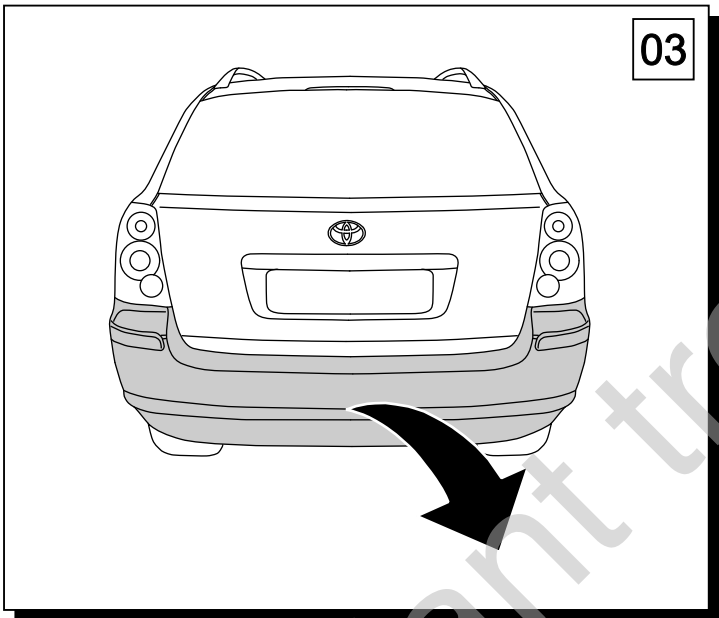
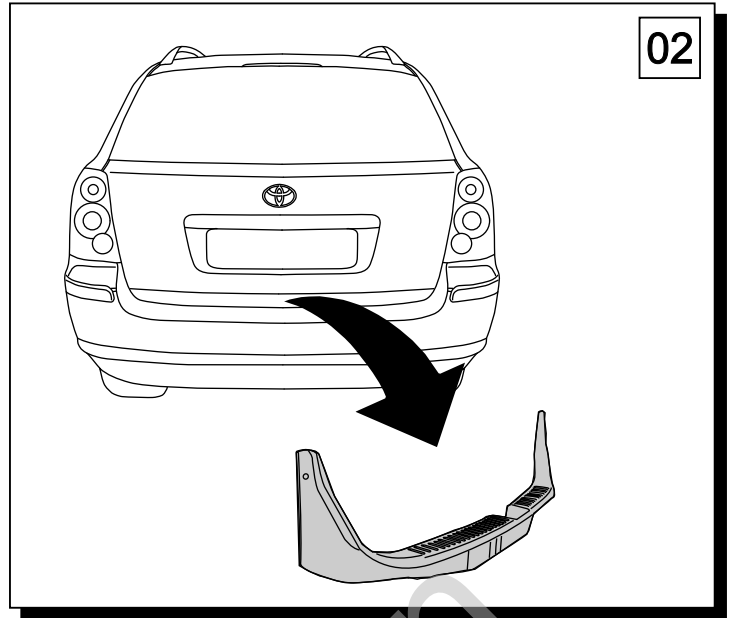
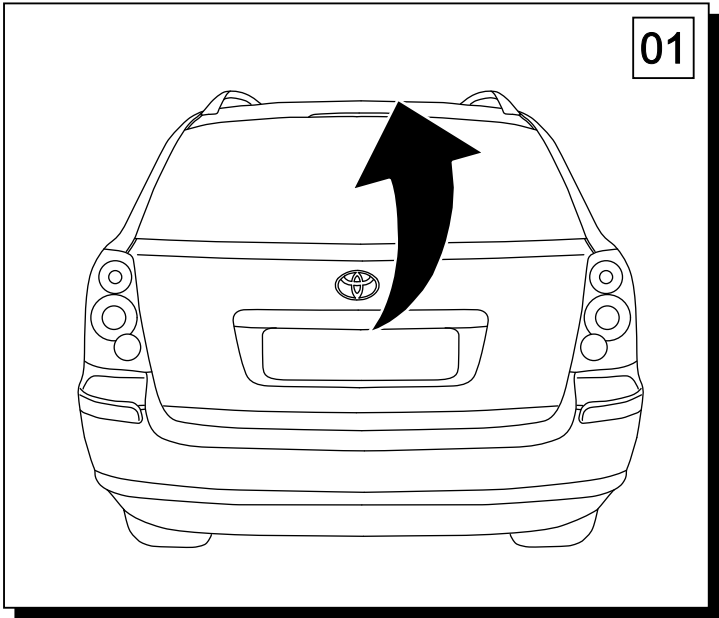


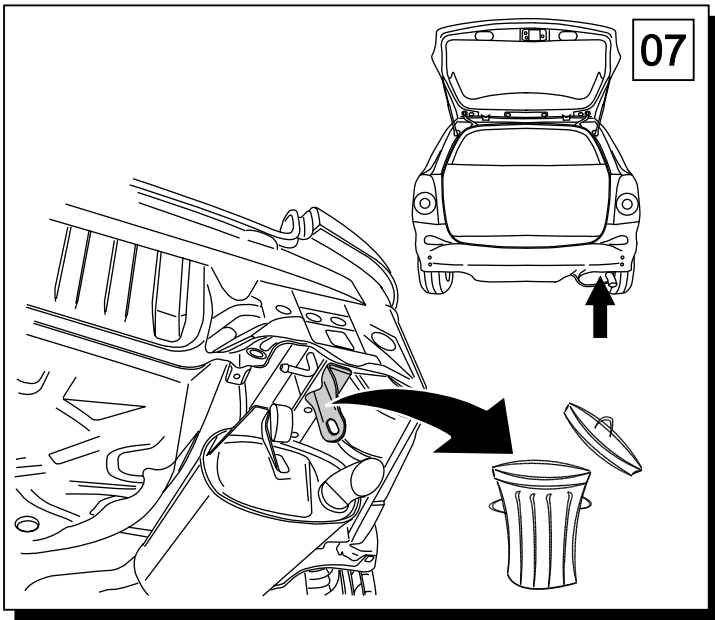
AUTO-HAK

	TOYOTA AVENSIS KOMBI (T25, T26)	Cat. no:
	04.2003 → 12.2008	O56A
e20	e20*94/20*1147*01	 2h
D	8,6 kN	 <input checked="" type="checkbox"/>
	R=1550 kg	 <input type="checkbox"/>
	S=75 kg	
 18,5 kg		
	M6 - 11 Nm	M8 - 25 Nm
	M10 - 50 Nm	M12 - 87 Nm
	M14 - 138 Nm	M16 - 210 Nm
	 0 km →  1000 km	

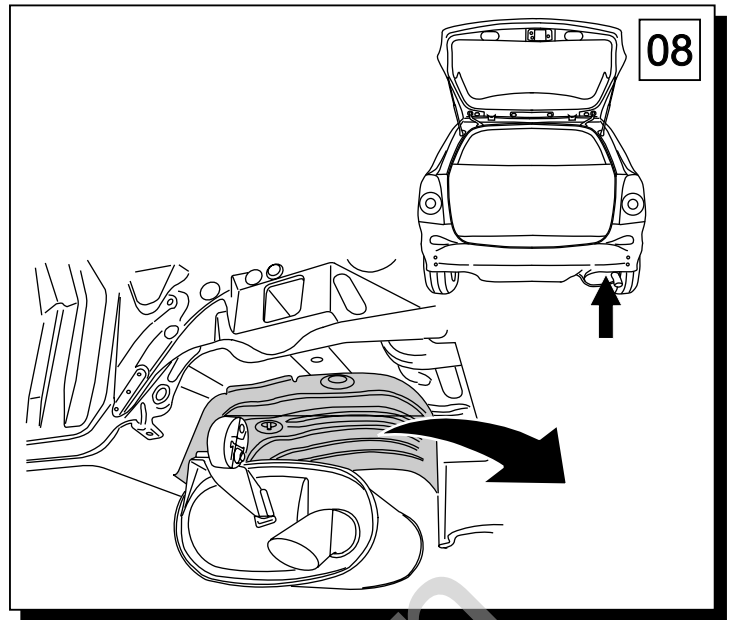


1		x1		9	M12x1,25x40	x4
				10	M10x35	x2
				11	M8x35	x4
				12	M8x30	x4
				13	M6x25	x1
2		x1		14	∅ 13	x4
				15	∅ 10.5	x2
				16	∅ 8.5	x8
				17	∅ 24x∅8.4x2 8 DIN 9021	x4
3		x1		18	∅ 18x∅6.4x1.6 6 DIN 9021	x1
4		x1		19	∅ 12.2	x4
5		x2		20	∅ 10.2	x2
				21	∅ 8.2	x8
				22	∅ 6.2	x1
6		x1		23	M8	x8
7		x1				
				24		x4
8		x1				∅25x15mm L=14mm
		Art.nr-KL1056A				
		Art.nr-BL1056A				

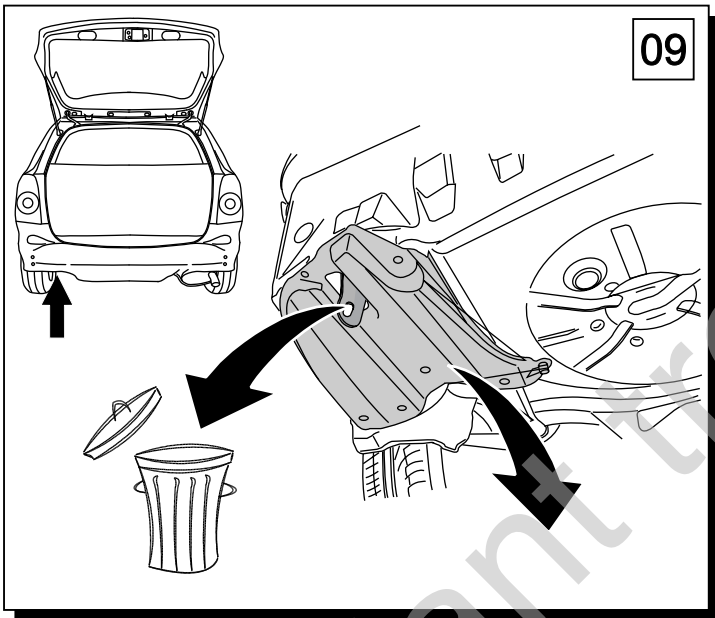




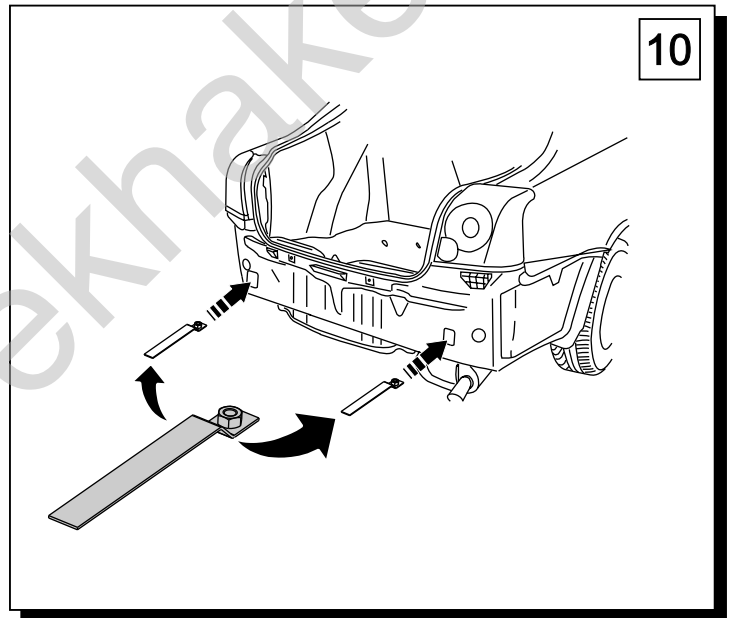
07



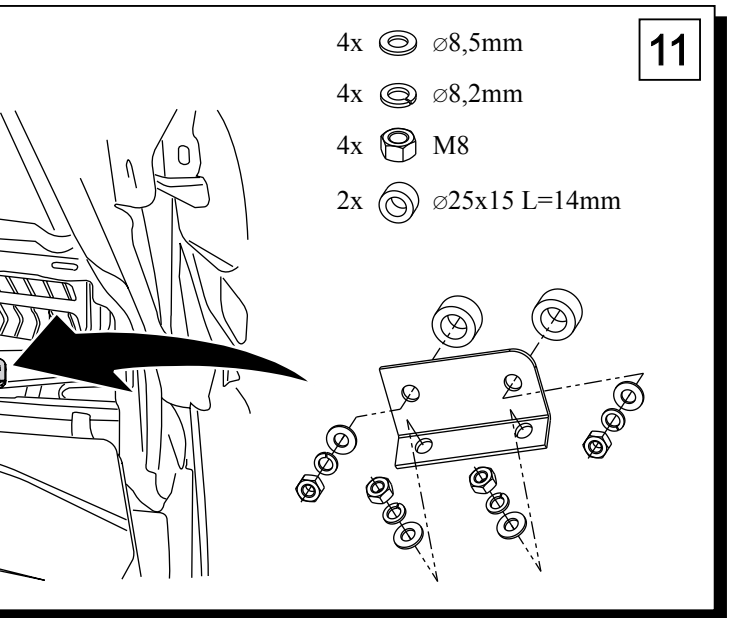
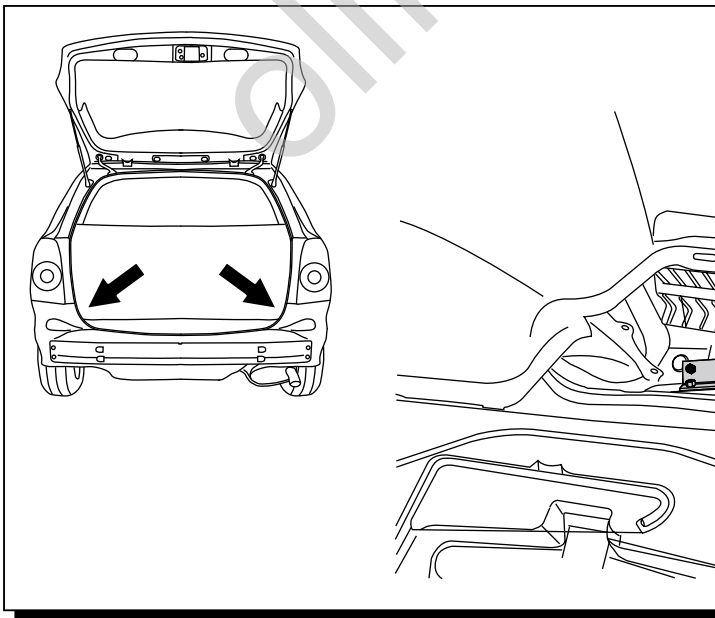
08



09



10



11

4x ø8,5mm

4x ø8,2mm

4x M8

2x ø25x15 L=14mm

