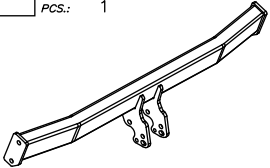
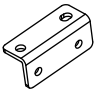




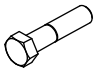

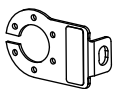
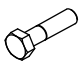


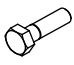





## Towing hitch accessories:

Pos. 1	Main bar Pcs.: 1		Pos. 6	Angle bar I Pcs.: 1		Pos. 12	Nut 8 B Pcs.: 3 M10	
			Pos. 7	Angle bar II Pcs.: 1		Pos. 13	Plain washer Pcs.: 10 Ø 13 mm	
Pos. 2	Tow ball (mounting set) PCS.:1		Pos. 8	Bolt 8,8 B Pcs.: 4 M12x40mm		Pos. 14	Plain washer Pcs.: 3 Ø 10,5 mm	
Pos. 3	Socket plate Pcs.: 1		Pos. 9	Bolt 8,8 B Pcs.: 3 M10x35mm		Pos. 15	Spring washer Pcs.: 10 Ø 12,2 mm	
Pos. 4	Right bracket Pcs.: 1		Pos. 10	Bolt 8,8 B Pcs.: 6 M12x1.25x35mm		Pos. 16	Spring washer Pcs.: 3 Ø 10,2 mm	
Pos. 5	Left bracket Pcs.: 1		Pos. 11	Nut 8 B Pcs.: 2 M12				



**PPUH AUTO-HAK Sp.J.**

Produkcja Zaczepów Kulowych  
Henryk i Zbigniew Nejman  
76-200 SŁUPSK ul. Słoneczna 16K  
tel/fax (059) 8-414-414; 8-414-413  
E-mail: [office@autohak.com.pl](mailto:office@autohak.com.pl)  
[www.autohak.com.pl](http://www.autohak.com.pl)

## Towing hitch (without electrical set)

Class: **A50-X** Cat. no. **O54A**

Designed for:

Manufacturer: **TOYOTA**

Model: **PICNIC**

Type: **5 doors, VAN (XM1)**

produced since 10.1996 till 05.2001

Technical data:

**D-value: 8,51 kN**

maximum trailer weight: **1500 kg**

maximum vertical cup mass: **60 kg**

**Approval number according to Directive 94/20/EC: e20\*94/20\*0347\*00**

## Foreword

This towing hitch is designed according to rules of safety traffic regulations. The towing hitch is a safety component and can be installed only by qualified personnel. Any alteration or conversion of the towing hitch is prohibited and would lead to cancellation of design certification. Remove insulating compound and underseal from vehicle (if present) in the area of the mating surfaces of the towing hitch.

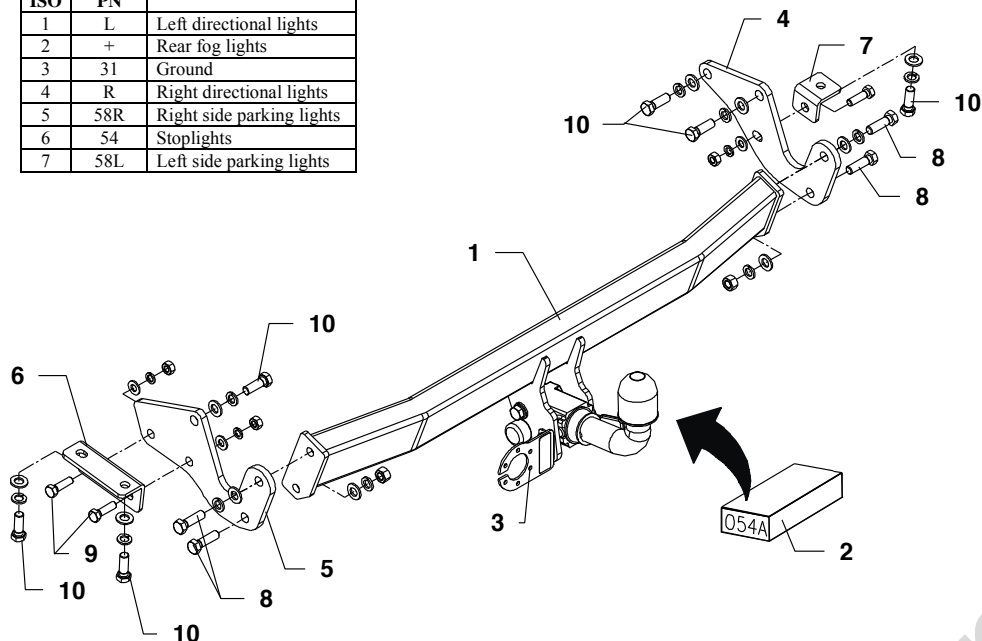
The vehicle manufacturer's specifications regarding trailer mass and max. vertical cup mass are decisive for driving whereat values for the towing hitch cannot be exceeded.

*D-value formula:*

$$\frac{\text{Max trailer weight [kg]} \times \text{Max vehicle weight [kg]}}{\text{Max trailer weight [kg]} + \text{Max vehicle weight [kg]}} \times \frac{9,81}{1000} = D \text{ [kN]}$$

## FITTING INSTRUCTION

Clamp mark in acc. with		Cables joining
ISO	PN	
1	L	Left directional lights
2	+	Rear fog lights
3	31	Ground
4	R	Right directional lights
5	58R	Right side parking lights
6	54	Stoplights
7	58L	Left side parking lights



This towing hitch is designed to assembly in following cars:  
**TOYOTA PICNIC, 5 doors, VAN (XM1)**, produced since 10.1996 till 05.2001, catalogue no. **O54A** and is prepared to tow trailers max total weight **1500 kg** and max vertical mass **60 kg**.

### From manufacturer

Thank you for buying our product. Their reliability has been confirmed in many tests. Reliability of towing hitch depends also on correct assembly and right operation. For this reasons we kindly ask to read carefully this instruction and apply to hints.

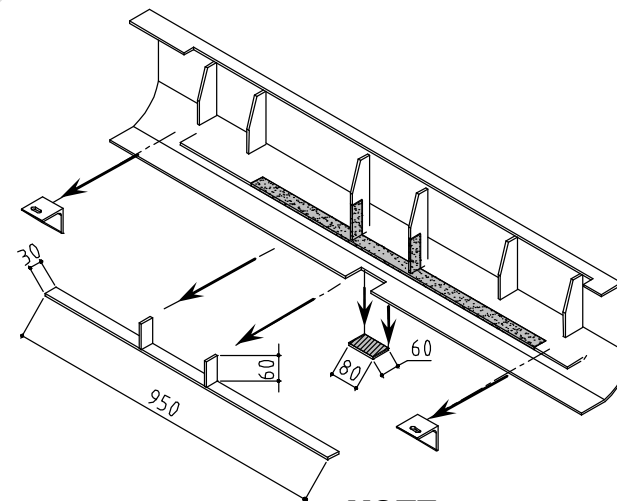
*The towing hitch should be install in points described by a car producer.*

Torque settings for nuts and bolts (8,8):

<b>M6</b> - 11 Nm	<b>M 8</b> - 25 Nm	<b>M 10</b> - 50 Nm
<b>M 12</b> - 87 Nm	<b>M 14</b> - 138 Nm	<b>M16</b> - 210 Nm

## The instruction of the assembly

1. Disassemble a rear bumper, spare wheel and original tow handles from the left and right side (not used any more).
2. Angle bar I (pos. 6) put underneath to left chassis member and fix loosely using bolts M12x1,25x35mm (pos. 10), next to inside of the chassis member put left bracket (pos. 5) and fix by one bolt M12x1,25x35mm (pos. 10) and two bolts M10x35mm (pos. 9) with angle bar (pos. 6)- loosely.
3. Angle bar II (pos. 7) put underneath to right chassis member and fix loosely using bolt M12x1,25x35mm (pos. 10), next to inside of the chassis member put right bracket (pos. 4) and fix by one bolt M12x1,25x35mm (pos. 10) and two bolts M10x35mm (pos. 9).
4. Between installed brackets put main bar of the towing hitch (pos. 1) and fix it by bolts M12x40mm (pos. 8- see figure).
5. Tighten all bolts according to the torque shown in the table.
6. Reassemble bumper after cut out his fragments – see figure 2.
7. Fix body of the automat and place tow-ball according to supplied instruction. Note! Remember to place socket plate (pos. 3) as shown on the drawing 1.
8. Connect electric wires of 7-poles socket according to the instruction of the car. (Recommend to make at authorized service station)
9. Complete paint layer damaged during installation.



### NOTE

After installation of a towing hitch you should get adequate note in registration book (at authorised service station). The car should be equipped with:

- Indicators
- Tow mirrors

After 1000km of exploitation check all bolts and nuts. The ball of towing hitch must be always kept clear and conserve with a grease.