

# PPUH AUTO-HAK Sp.J.

Henryk i Zbigniew Nejman  
ul. Słoneczna 16K 76-200 SŁUPSK  
POLAND

tel/fax +48 59 8 414 414; +48 59 8 414 413

e-mail: [office@autohak.com.pl](mailto:office@autohak.com.pl)

[www.autohak.com.pl](http://www.autohak.com.pl)



# AUTO-HAK



## TOYOTA

Cat. no:

**053**



LANDCRUISER 5D J120  
01.2003 - 10.2009



LANDCRUISER 5D J150  
11.2009 →



E20-55R-01 0827



2h

**D**

15,41 kN

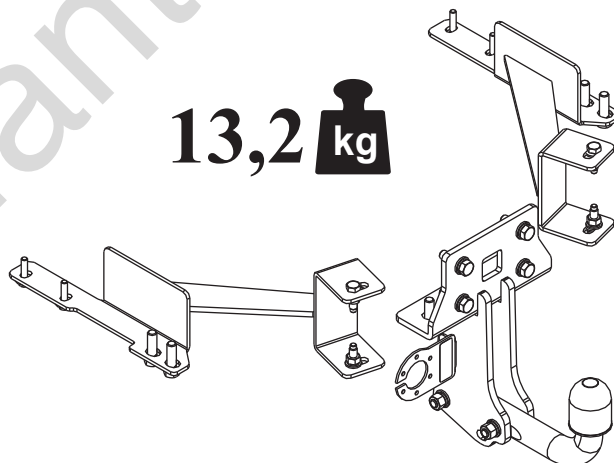


R=3500 kg



S=130 kg

13,2 kg



M6 - 11 Nm  
M10 - 50 Nm  
M14 - 138 Nm

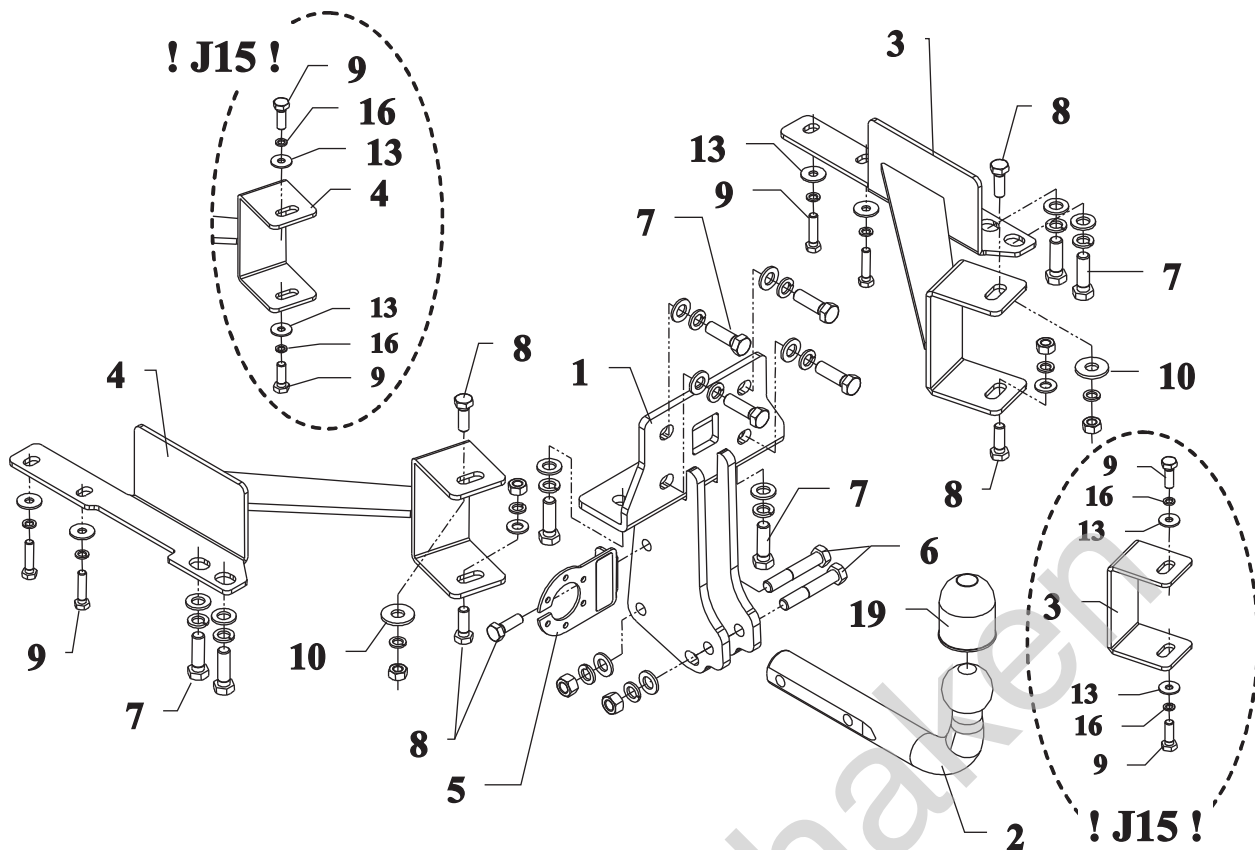
M8 - 25 Nm  
M12 - 87 Nm  
M16 - 210 Nm



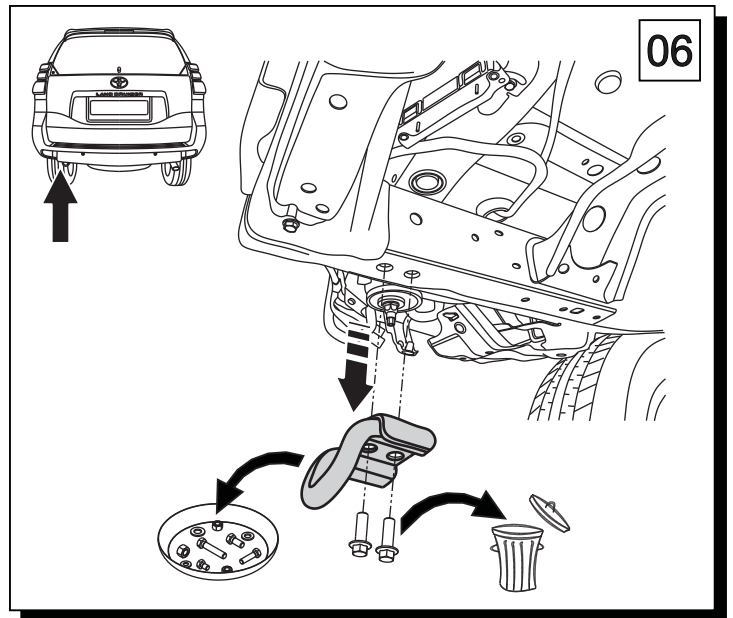
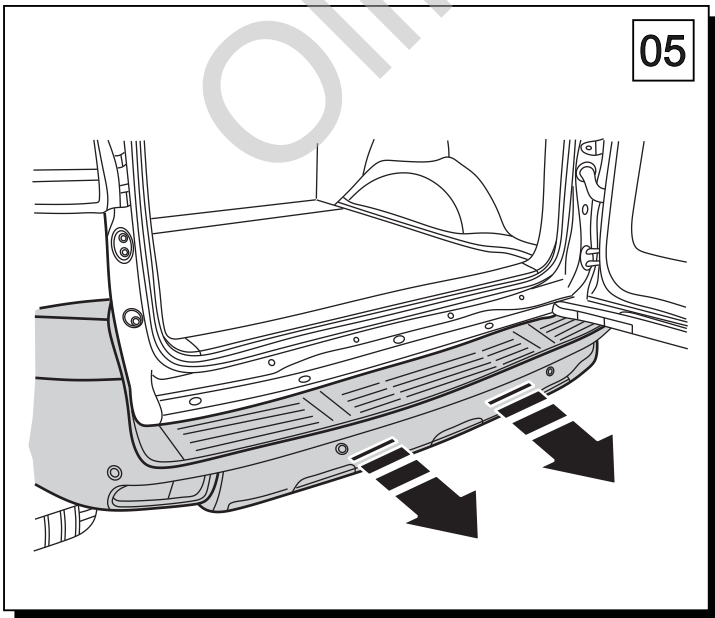
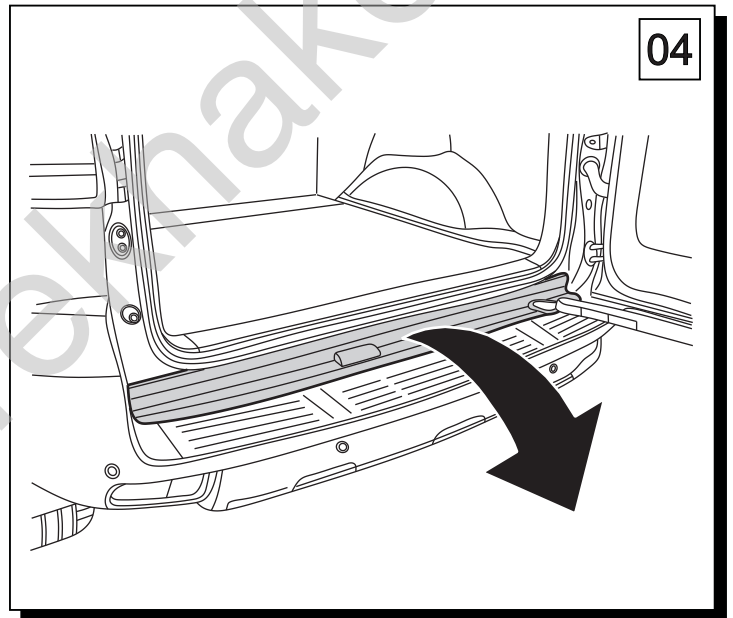
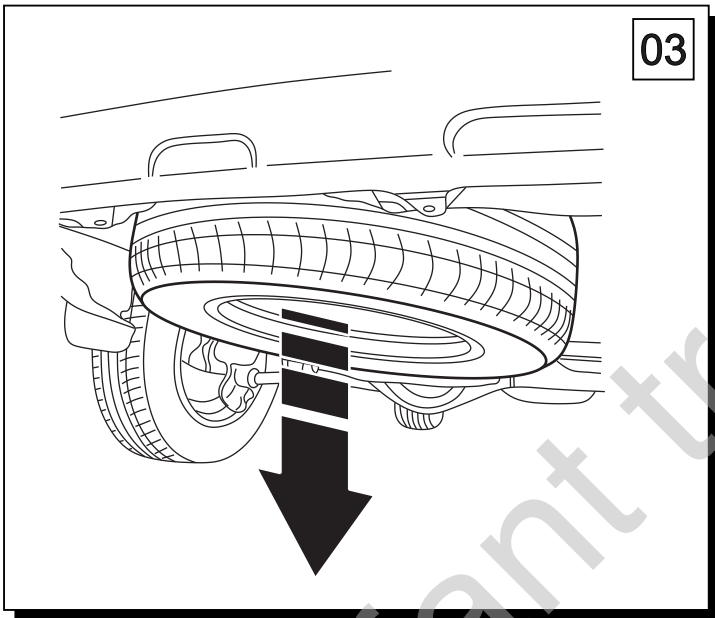
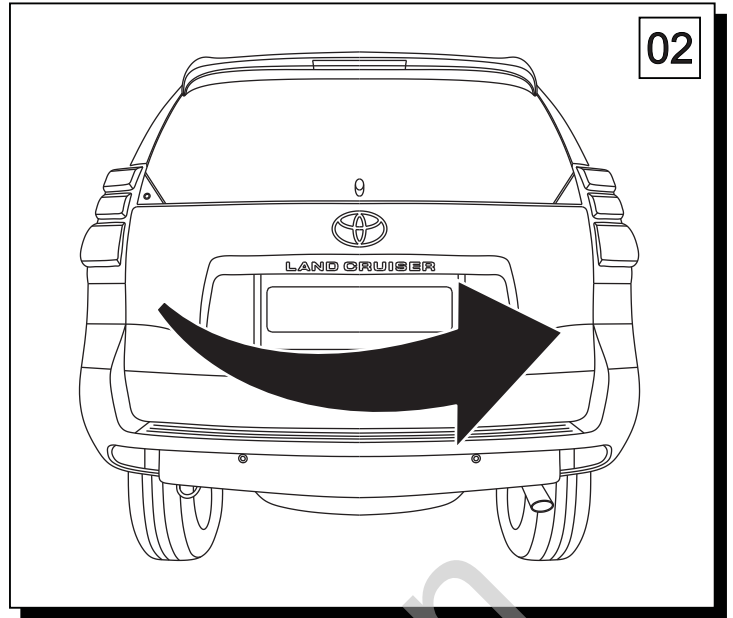
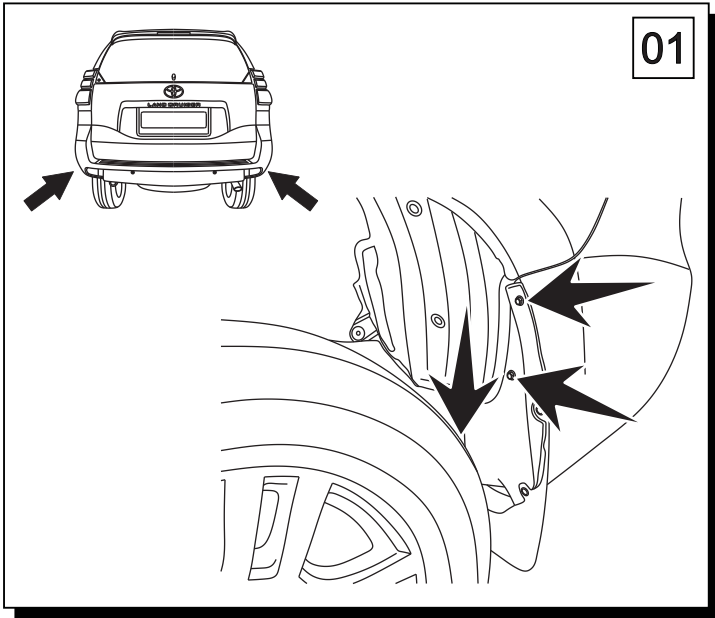
0 km →

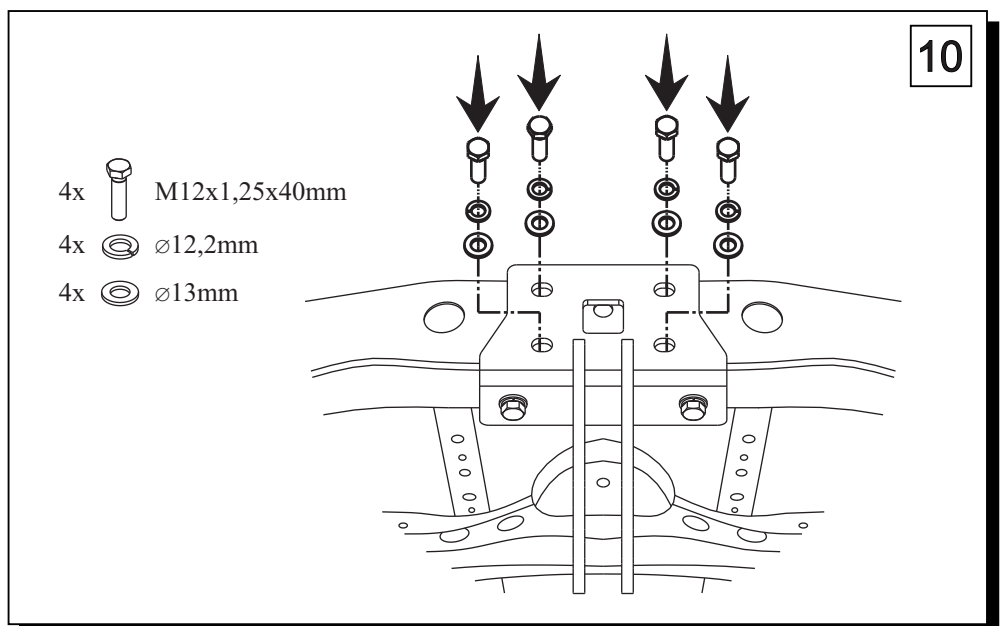
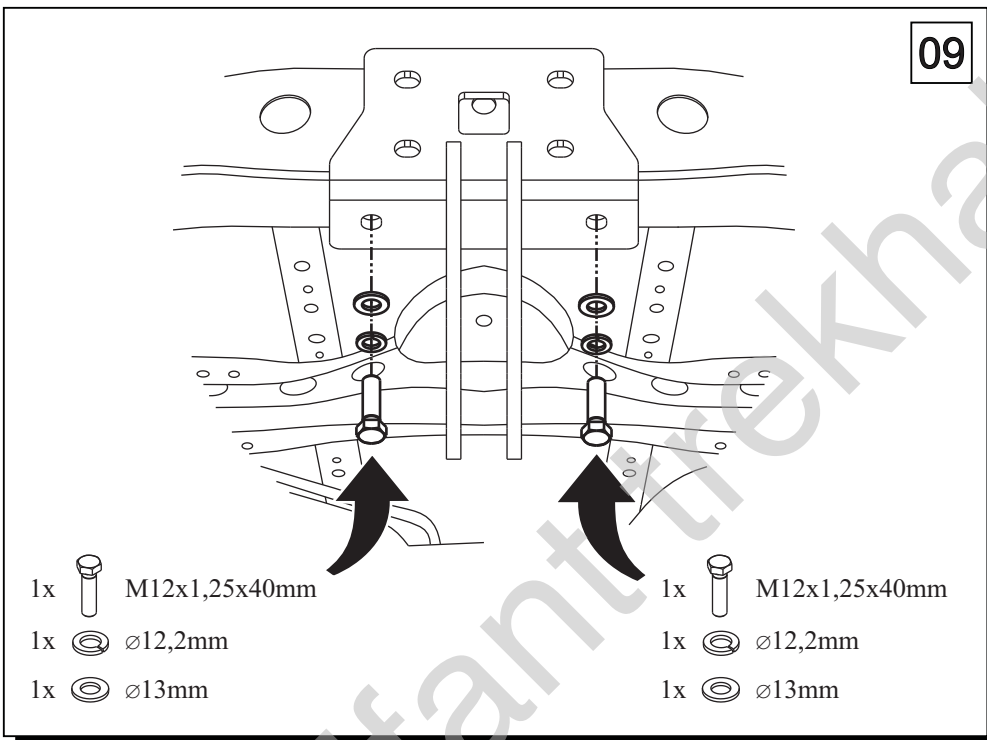
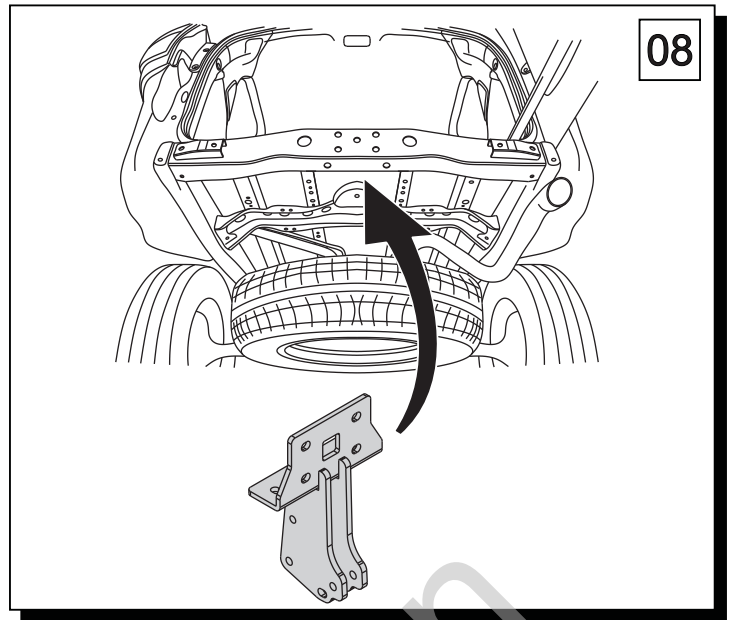
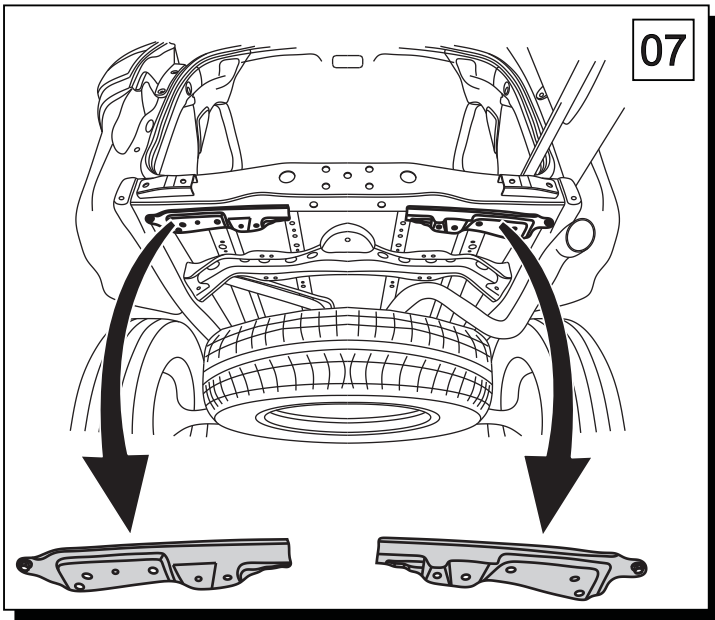


1000 km

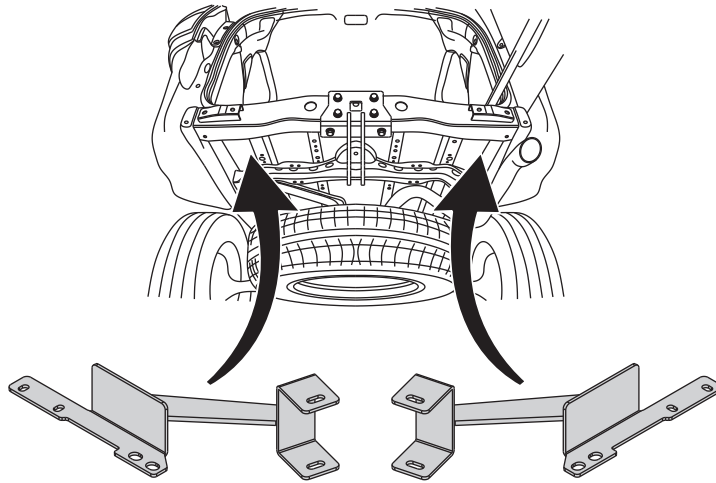


1		x1		6 M12x70	x2	
2		x1 Art.nr-KL1053		7 M12x1,25x40	x10	
				8 M10x30	x5	
3		x1		9 M8x35	x8	
					10 $\varnothing$ 30x $\varnothing$ 10.5x2.5 10 (DIN 9021)	x2
				11 $\varnothing$ 13	x12	
4		x1		12 $\varnothing$ 10.5	x3	
				13 $\varnothing$ 24x $\varnothing$ 8.4x2 8 (DIN 9021)	x8	
					14 $\varnothing$ 12.2	x12
5		x1		15 $\varnothing$ 10.2	x5	
				16 $\varnothing$ 8.2	x8	
					17 M12	x2
6		x1		18 M10	x5	
				19		x1





11




**J15**


11.2009 →


12

1x  M8x35mm

1x  ø8,2mm

1x  ø24xø8,4x2mm


2x  M12x1,25x40mm

2x  ø12,2mm

2x  ø13mm

2x  M8x35mm

2x  ø8,2mm

2x  ø24xø8,4x2mm


**J15**

11.2009 →

13


2x  M8x35mm


2x  ø8,2mm

2x  ø24xø8,4x2mm

1x  M8x35mm

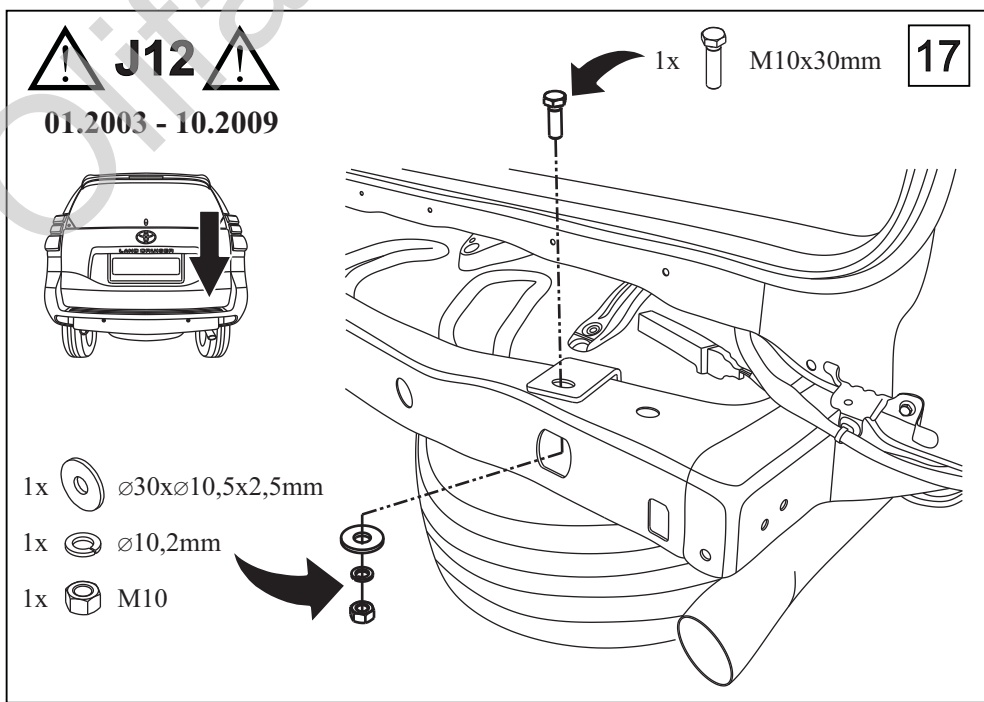
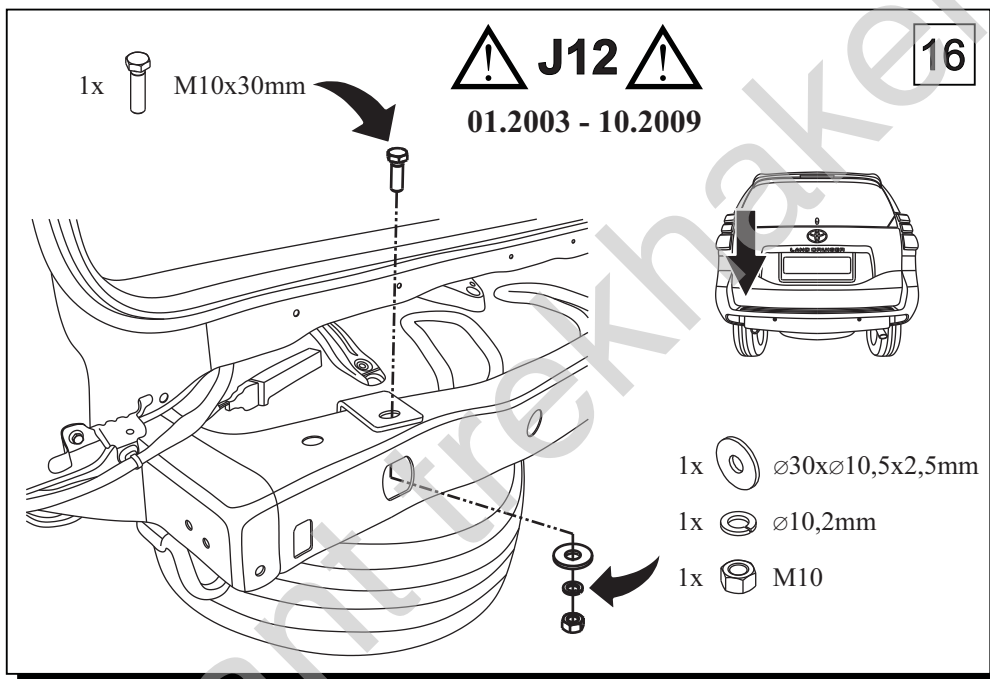
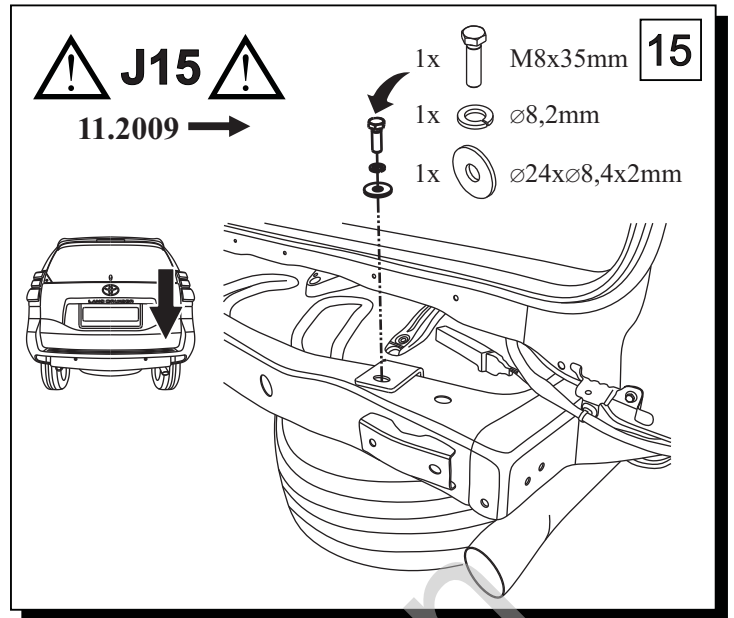
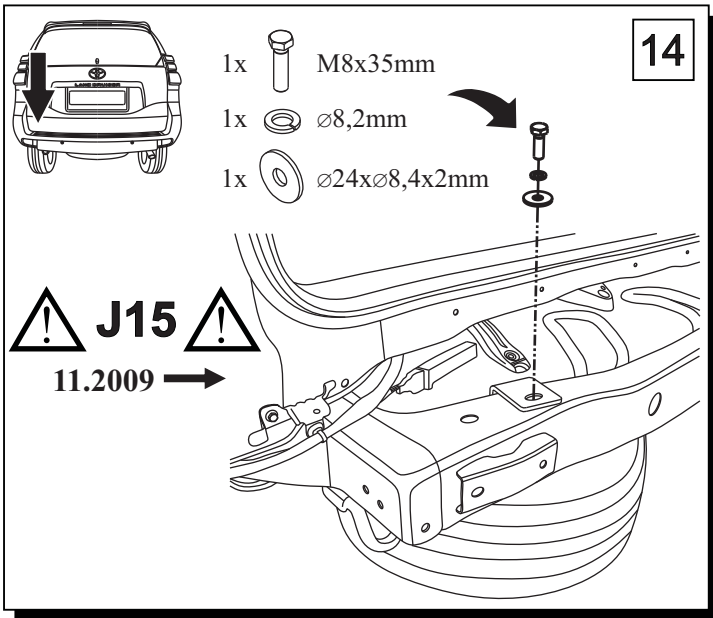
1x  ø8,2mm

1x  ø24xø8,4x2mm

2x  M12x1,25x40mm

2x  ø12,2mm

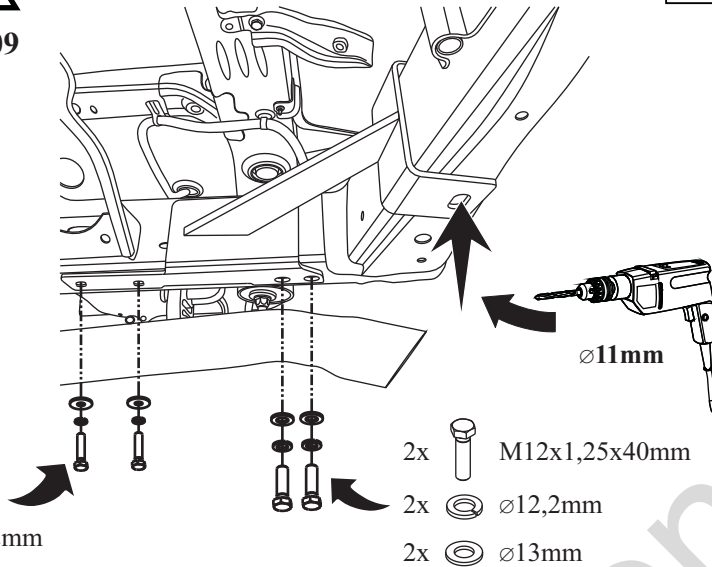
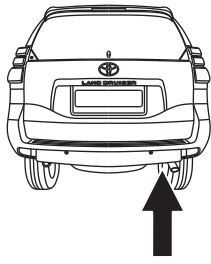
2x  ø13mm



**J12**

01.2003 - 10.2009

18



2x M8x35mm

2x  $\varnothing 8,2\text{mm}$

2x  $\varnothing 24 \times \varnothing 8,4 \times 2\text{mm}$

2x M12x1,25x40mm

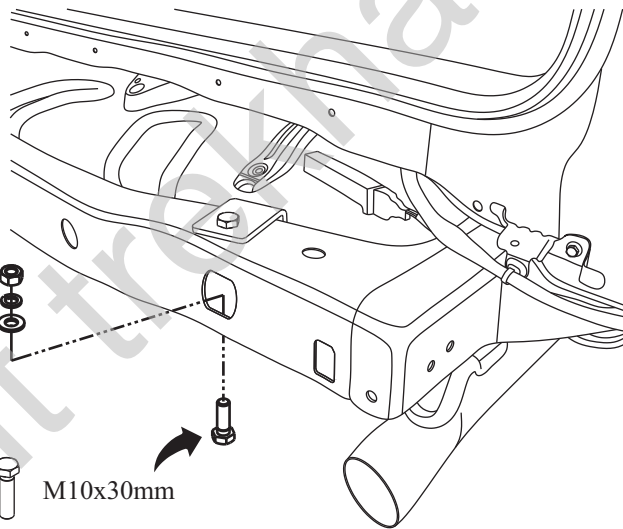
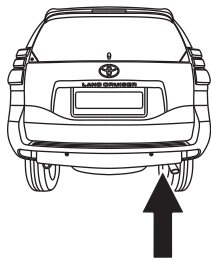
2x  $\varnothing 12,2\text{mm}$

2x  $\varnothing 13\text{mm}$

**J12**

01.2003 - 10.2009

19



1x  $\varnothing 10,5\text{mm}$

1x  $\varnothing 10,2\text{mm}$

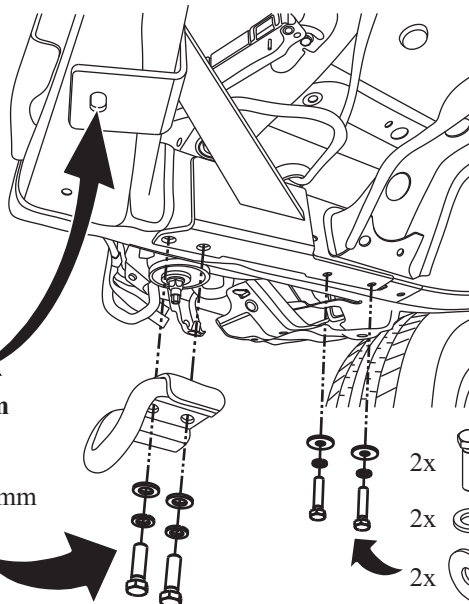
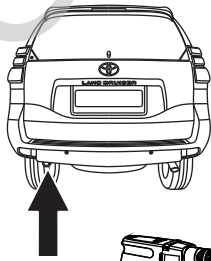
1x M10

1x M10x30mm

**J12**

01.2003 - 10.2009

20



2x M12x1,25x40mm

2x  $\varnothing 12,2\text{mm}$

2x  $\varnothing 13\text{mm}$

2x M8x35mm

2x  $\varnothing 8,2\text{mm}$

2x  $\varnothing 24 \times \varnothing 8,4 \times 2\text{mm}$

