

# PPUH AUTO-HAK Sp.J.

Henryk & Zbigniew Nejman  
ul. Słoneczna 16K 76-200 SŁUPSK  
POLAND

tel/fax +48 059 8-414-414; 8-414-413

e-mail: [office@autohak.com.pl](mailto:office@autohak.com.pl)

[www.autohak.com.pl](http://www.autohak.com.pl)



# AUTO-HAK



**TOYOTA RAV-4,**  
3/5D, 4 WD

Cat. no:

**O41**



**08.2000 → 02.2006**



**E20-55R-01 1250**



**2h**



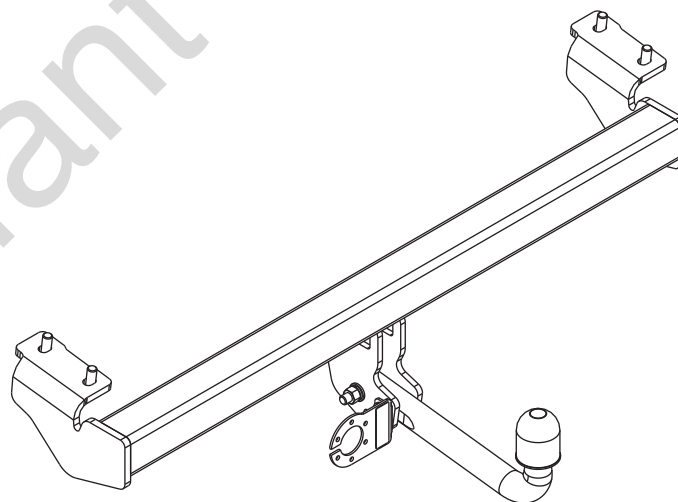
**8,95 kN**



**R=1800 kg**



**S=75 kg**



**M6 - 11 Nm**  
**M10 - 50 Nm**  
**M14 - 138 Nm**

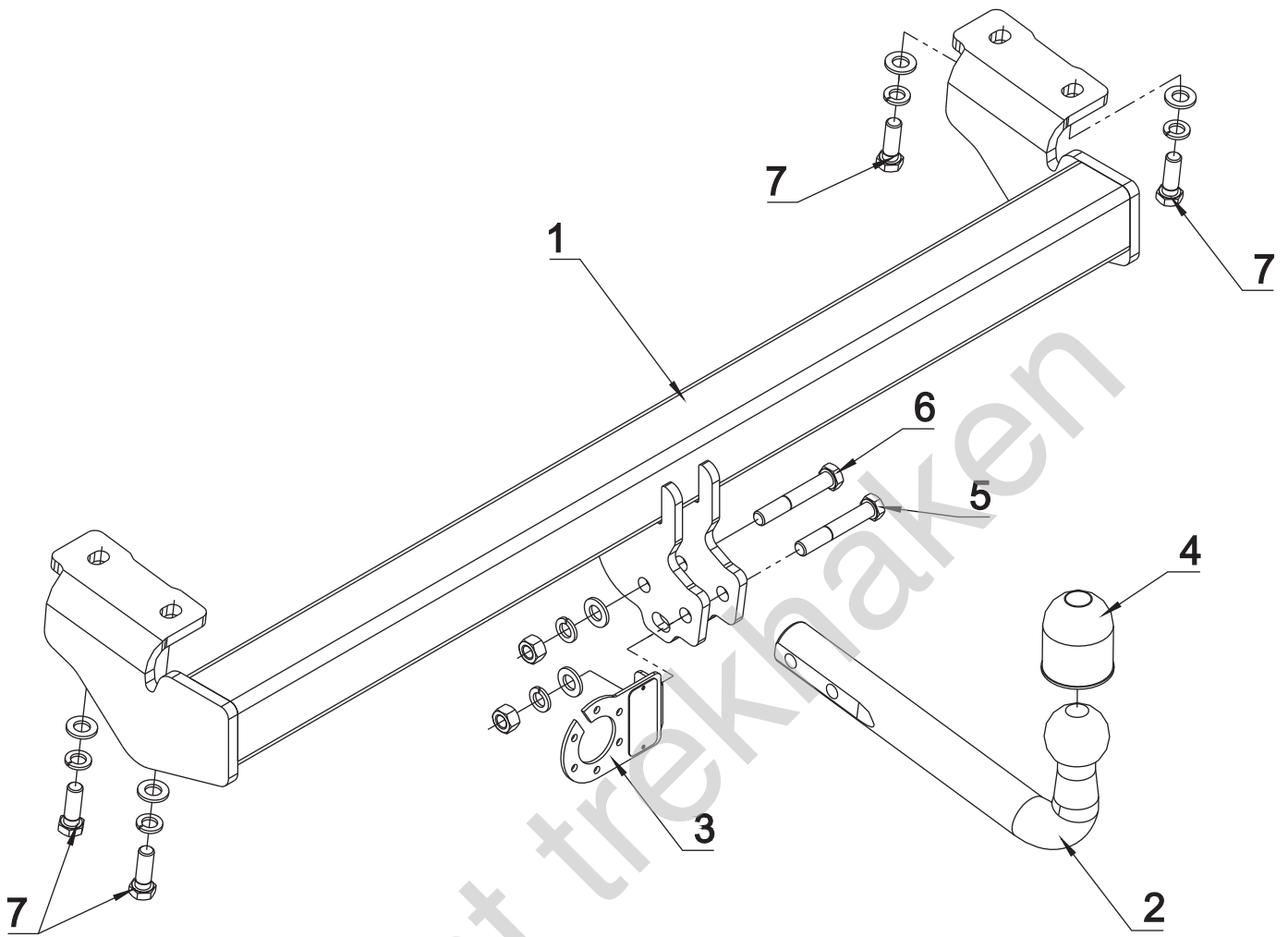
**M8 - 25 Nm**  
**M12 - 87 Nm**  
**M16 - 210 Nm**

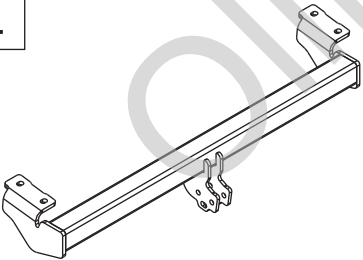
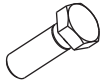
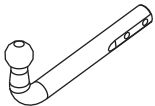

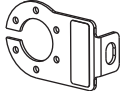
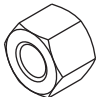



**0 km →**



**1000 km**



<b>1</b> 	<b>x1</b>		<b>5</b> M12x75	<b>x1</b>
			<b>6</b> M12x70	<b>x1</b>
			<b>7</b> M12x1,25x35	<b>x4</b>
<b>2</b> 	<b>x1</b> Art.nr-KL1041		<b>8</b> $\varnothing$ 13	<b>x6</b>
			<b>9</b> $\varnothing$ 12.2	<b>x6</b>
<b>3</b> 	<b>x1</b> Art.nr-BL1041		<b>10</b> M12	<b>x2</b>
<b>4</b> 	<b>x1</b>			

