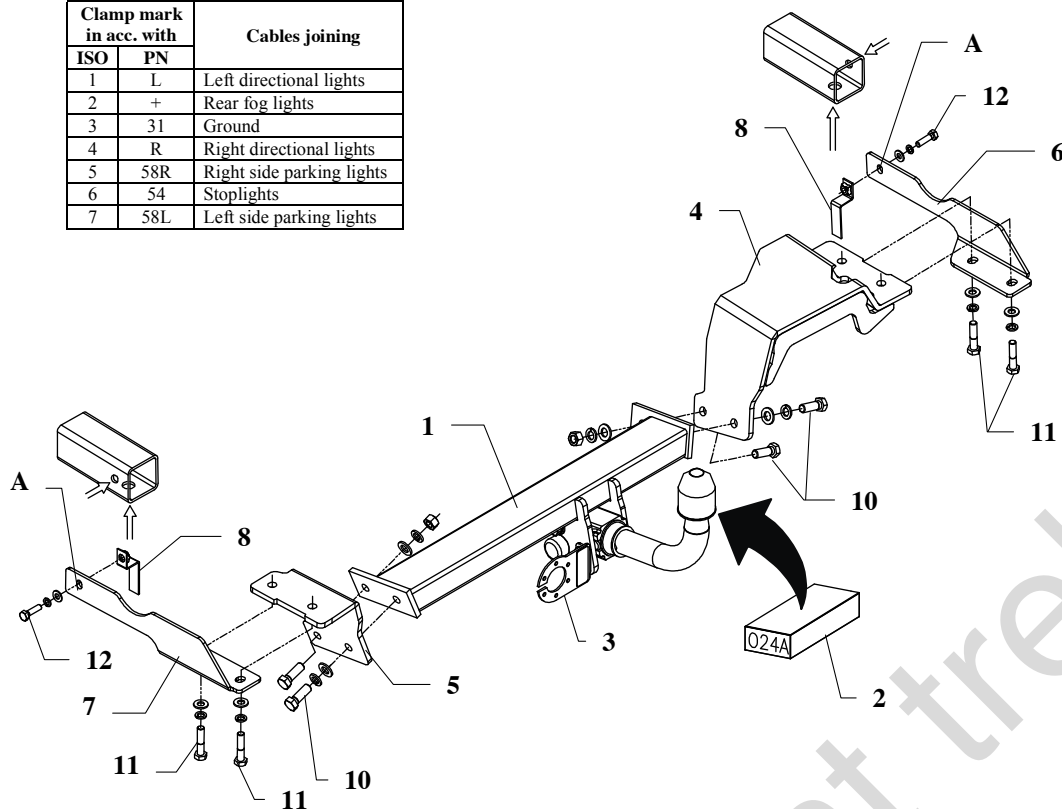


## FITTING INSTRUCTION

Clamp mark in acc. with		Cables joining
ISO	PN	
1	L	Left directional lights
2	+	Rear fog lights
3	31	Ground
4	R	Right directional lights
5	58R	Right side parking lights
6	54	Stoptlights
7	58L	Left side parking lights



This towing hitch is designed to assembly in following cars: **TOYOTA YARIS, 3/5 doors, (CP10), Japanese and French version except TS**, produced since 04.1999 till 12.2005, catalogue no. **O24** and is prepared to tow trailers max total weight **900 kg** and max vertical load **50 kg**.

### *From manufacturer*

Thank you for buying our product. Their reliability has been confirmed in many tests. Reliability of towbar depends also on correct assembly and right operation. For this reasons we kindly ask to read carefully this instruction and apply to hints.

*The towbar should be install in points described by a car producer.*

## The instruction of the assembly

1. Disassemble original tow handles (will not be used any more).
2. Dismount the back muffler and unscrew the thermal shield.
3. Fix loosely elements (pos. 5 and 7) to the left chassis member, as showed on the drawing. Use bolts M10x1,25x45mm (pos. 11) with spring washers.
4. Fix loosely elements (pos. 4 and 6) to the right chassis member, as showed on the drawing. Use bolts M10x1,25x45mm (pos. 11) with spring washers.
5. Slide the main bar of the towbar (pos. 1) between elements (pos. 4 and 5) and fix it with bolts M12x35mm (pos. 10).
6. Tighten all nuts and bolts according to the torque shown in the table.
7. Dismount rear wheels, drill  $\varnothing 9\text{mm}$  through holes (pos. A) in the one wall of the car chassis member, fix it using M8x30mm (pos. 12) with the special nuts on the jibs (pos. 8). Slide these nuts underneath car chassis members through original holes.
8. Fix body of the automat and place tow-ball according to supplied instruction. Note! Remember to place socket plate (pos. 3) as shown on the drawing 1.
9. Reassemble the thermal sheet of metal and the muffler.
10. Connect electric wires of 7-poles socket according to the instruction of the car. (Recommend to make at authorized service station).
11. Complete paint layer damaged during installation.

Torque settings for nuts and bolts (8,8):

<b>M6</b> - 11 Nm	<b>M8</b> - 25 Nm	<b>M10</b> - 50 Nm
<b>M12</b> - 87 Nm	<b>M14</b> - 138 Nm	<b>M16</b> - 210 Nm

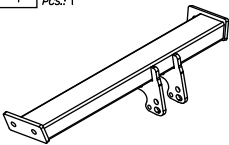










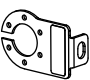






### NOTE

After install the towbar you should get adequate registration in registration book (at authorised service station).The car should be equipment with:

- Indicators
- Tow mirrors

After 1000km of exploitation check all bolts and nuts. The ball of towbar must be always kept clear and conserve with a grease.

## Towbar accessories:

Pos. 1 Main bar PCS.:1 	Pos. 5 Left bracket PCS.:1 	Pos. 10 Bolt 8,8 B PCS.:4 M12x35mm 	Pos. 15 Plain washer PCS.:4 ø 10,5 mm 
	Pos. 6 Right handle PCS.:1 	Pos. 11 Bolt 8,8 B PCS.:4 M10x1,25x45mm 	Pos. 16 Spring washer PCS.:4 ø 12,2 mm 
Pos. 2 Tow ball (mounting set) PCS.:1 	Pos. 7 Left handle PCS.:1 	Pos. 12 Bolt 8,8 B PCS.:2 M8x30mm 	Pos. 17 Spring washer PCS.:4 ø 10,2 mm 
Pos. 3 Socket plate PCS.:1 	Pos. 8 Jib with the nut PCS.:2 	Pos. 13 Nut 8 B PCS.:2 M12 	Pos. 18 Spring washer PCS.:2 ø 8,2 mm 
Pos. 4 Right bracket PCS.:1 	Pos. 9 Washer PCS.:2 ø25xø9x2mm 	Pos. 14 Plain washer PCS.:4 ø 13 mm 	



**PPUH AUTO-HAK S.J.**

Produkcja Zaczepów Kulowych  
Henryk i Zbigniew Nejman  
76-200 SŁUPSK ul. Słoneczna 16K  
tel/fax (059) 8-414-414; 8-414-413  
E-mail: [office@autohak.com.pl](mailto:office@autohak.com.pl)  
[www.autohak.com.pl](http://www.autohak.com.pl)

## Towing hitch (without electrical set)

Class: **A50-X** Cat. no. **O24A**

Designed for:

Manufacturer: **TOYOTA**

Model: **YARIS**

Type: **3/5 doors, (CP10,**

**Japanese and French version except TS**

produced since 04.1999 till 12.2005

Technical data:

**D-value: 5,3 kN**

maximum trailer weight: **900 kg**

maximum vertical cup load: **50 kg**

**Approval number according to Directive 94/20/EC: e20\*94/20\*1058\*00**

## Foreword

This towbar is designed according to rules of safety traffic regulations. The towing hitch is a safety component and can be installed only by qualified personnel. Any alteration or conversion of the towing hitch is prohibited and would lead to cancellation of design certification. Remove insulating compound and underseal from vehicle (if present) in the area of the mating surfaces of the towing hitch.

The vehicle manufacturer's specifications regarding trailer load and max. vertical cup load are decisive for driving, and values for the towing hitch cannot be exceeded.

*D-value formula:*

$$\frac{\text{Max trailer weight [kg]} \times \text{Max vehicle weight [kg]}}{\text{Max trailer weight [kg]} + \text{Max vehicle weight [kg]}} \times \frac{9,81}{1000} = D \text{ [kN]}$$