

# PPUH AUTO-HAK Sp.J.

Henryk & Zbigniew Nejman  
ul. Słoneczna 16K 76-200 SŁUPSK  
POLAND

tel/fax +48 059 8-414-414; 8-414-413

e-mail: [office@autohak.com.pl](mailto:office@autohak.com.pl)

[www.autohak.com.pl](http://www.autohak.com.pl)



# AUTO-HAK



**TOYOTA YARIS VERSO**

Cat. no:

**O16A**



**12.1999 → 01.2006**

**e20**

**e20\*94/20\*0002\*00**

**D**

**6,3 kN**



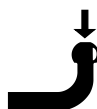
**1h**



**R=1000 kg**



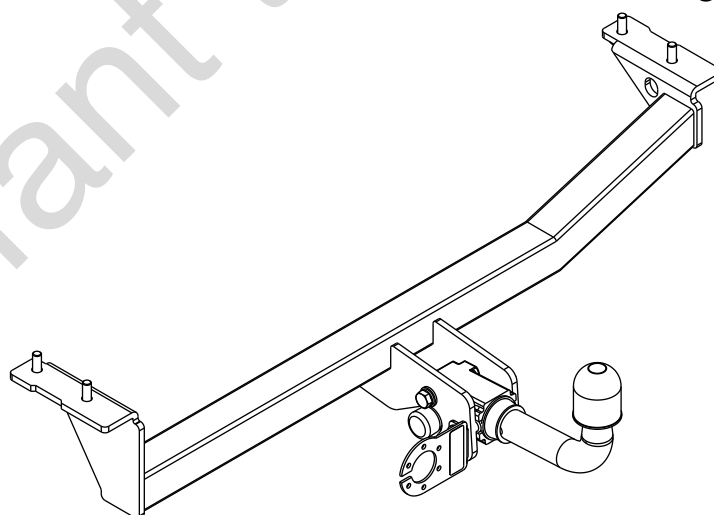
**-**



**S=50 kg**



**-**



**M6 - 11 Nm**  
**M10 - 50 Nm**  
**M14 - 138 Nm**

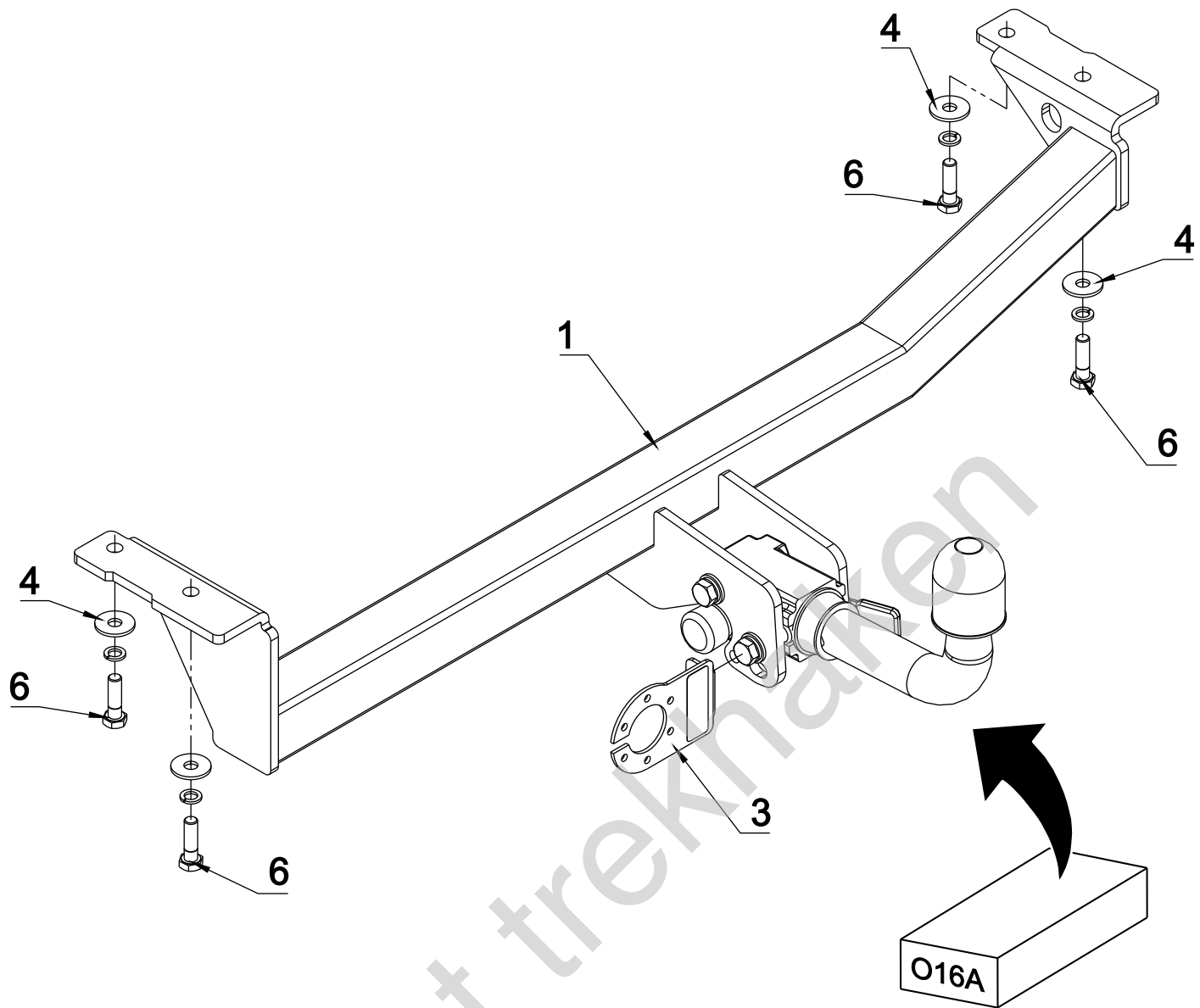
**M8 - 25 Nm**  
**M12 - 87 Nm**  
**M16 - 210 Nm**

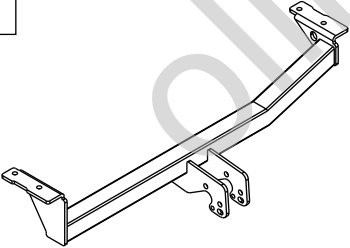
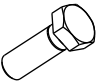


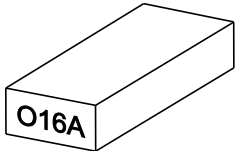
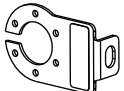


**0 km →**



**1000 km**



	x 1		4 M10x1.25x35	x 4
			5 $\varnothing$ 30x $\varnothing$ 10.5x2.5 10 DIN 9021	x 4
			6 $\varnothing$ 10.2	x 4
	x 1			
		Art.nr-KL1O16A		
	x 1			
		Art.nr-BL1O16A		

