

AUTO-HAK Sp. z o.o.

ul. Słoneczna 16K 76-200 SŁUPSK
POLAND

tel/fax +48 59 8 414 414; +48 59 8 414 413

e-mail: office@autohak.com.pl

www.autohak.com.pl




AUTO-HAK


LEXUS RX


Nr kat.
0105A

 10.2022 →

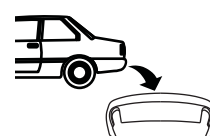
 E20*55R02*6717

D 12,0 kN

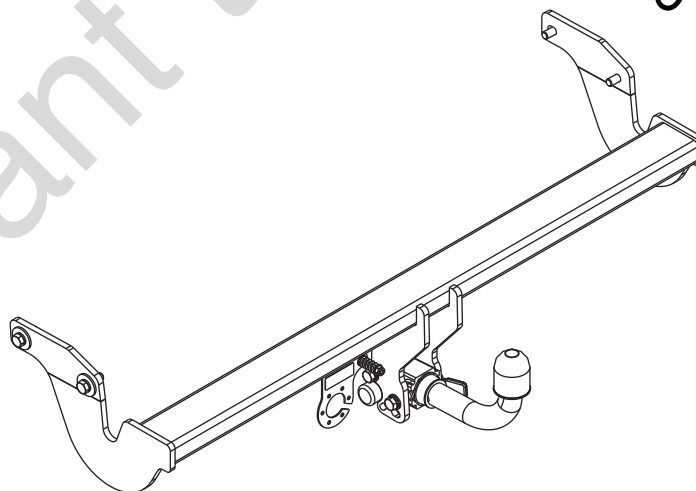
 **R=2000 kg**

 **S=80 kg**

 **2h**

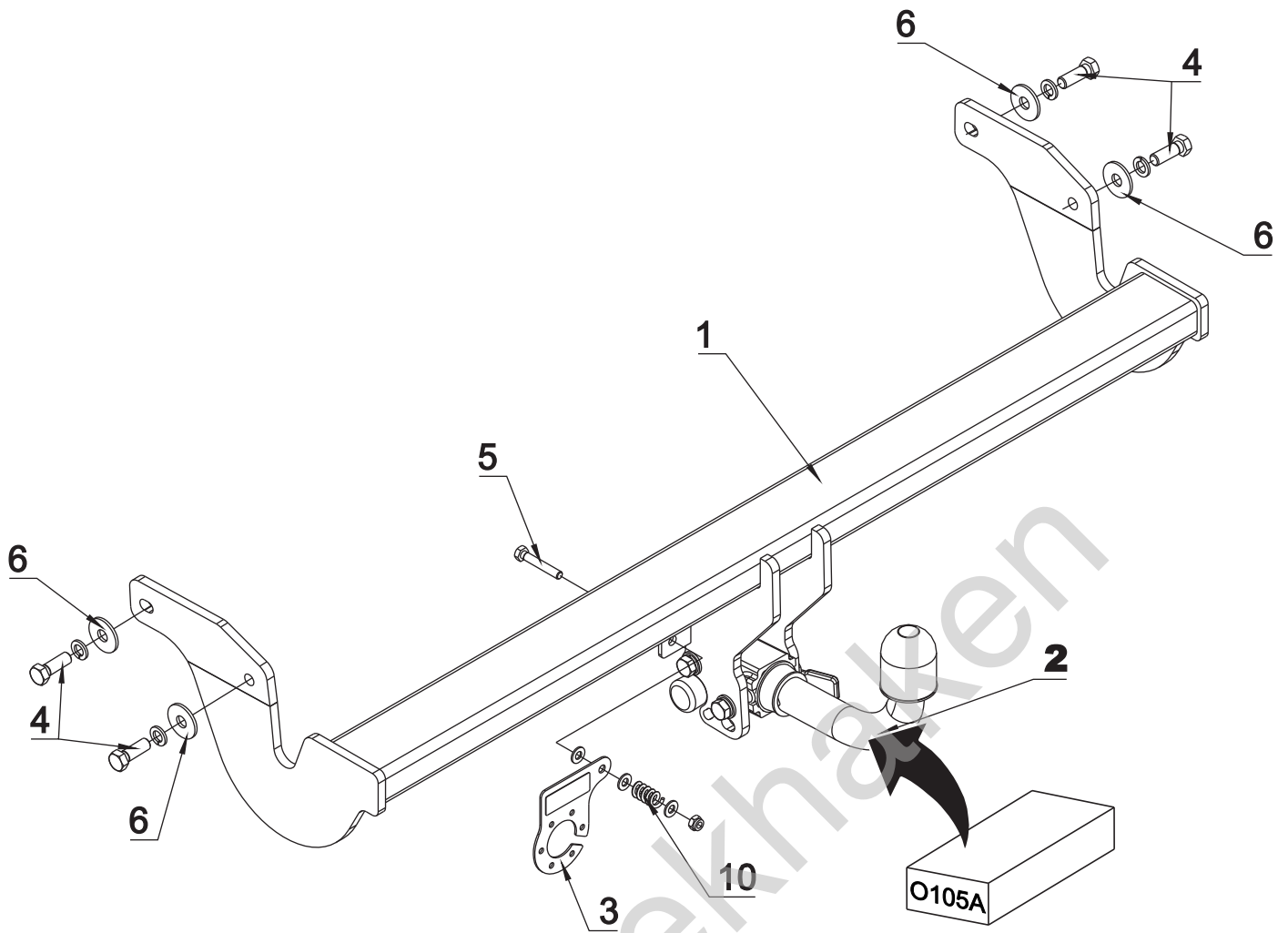


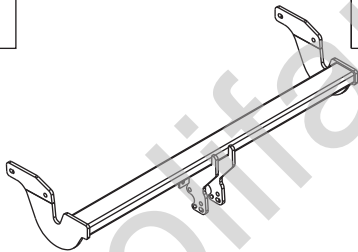


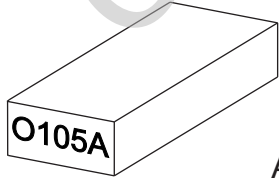



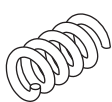


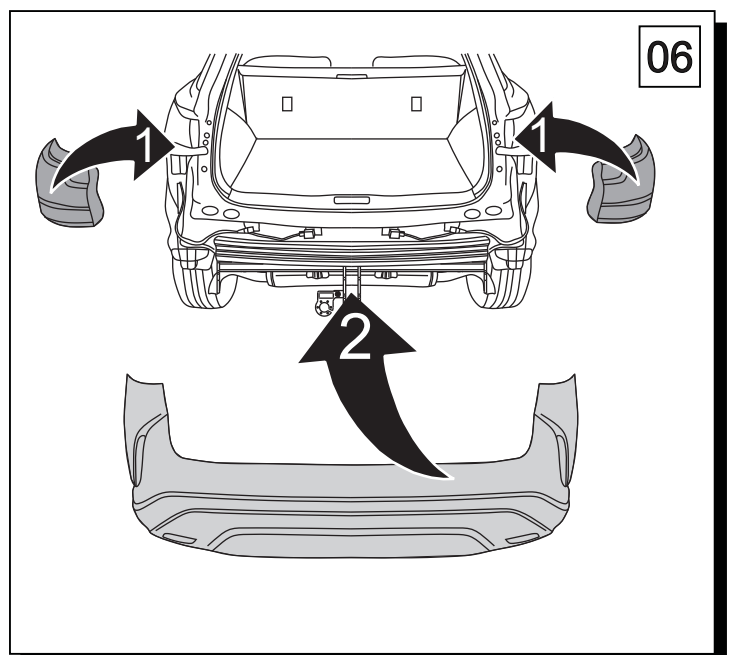
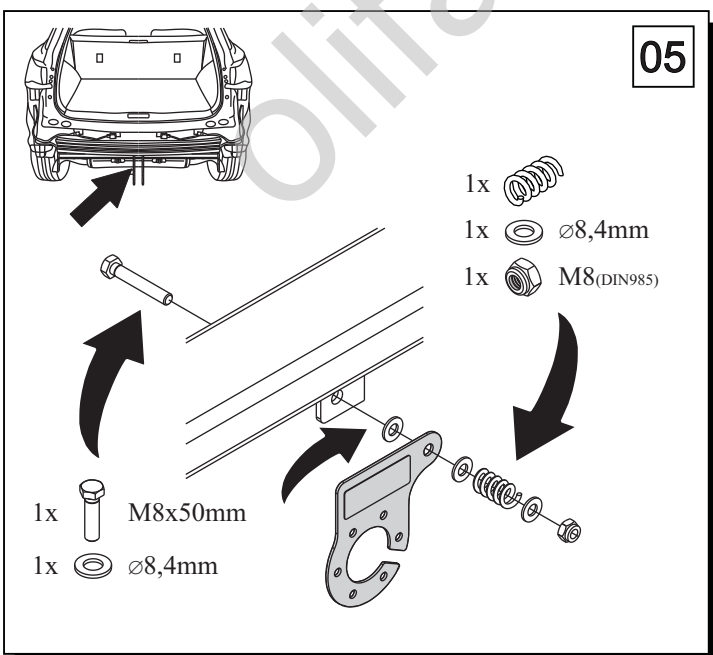
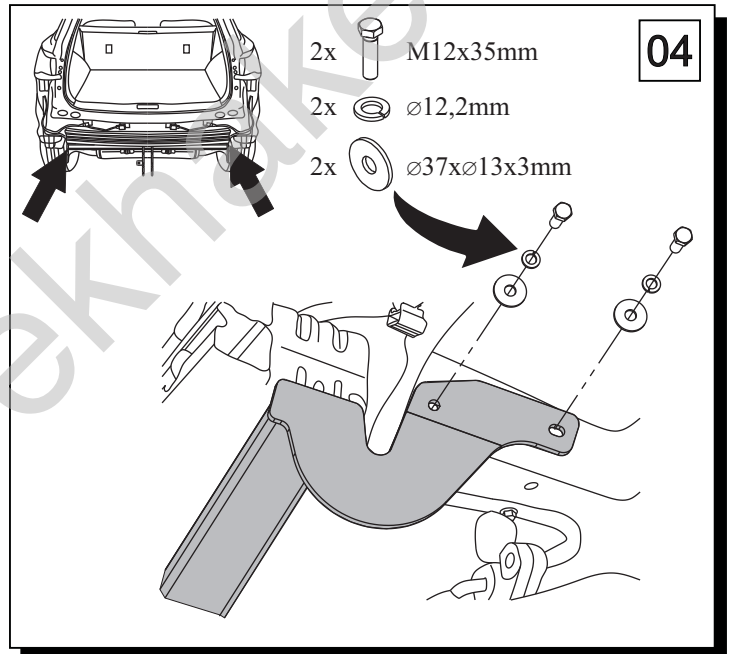
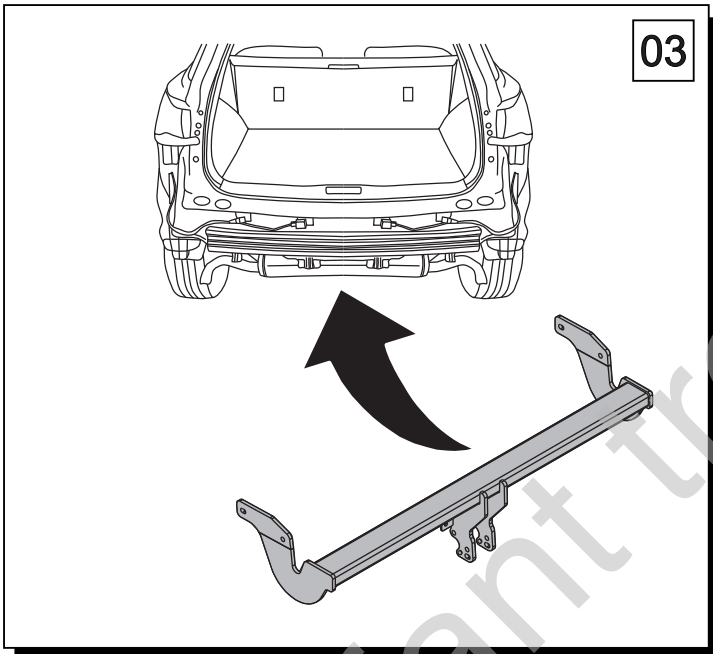
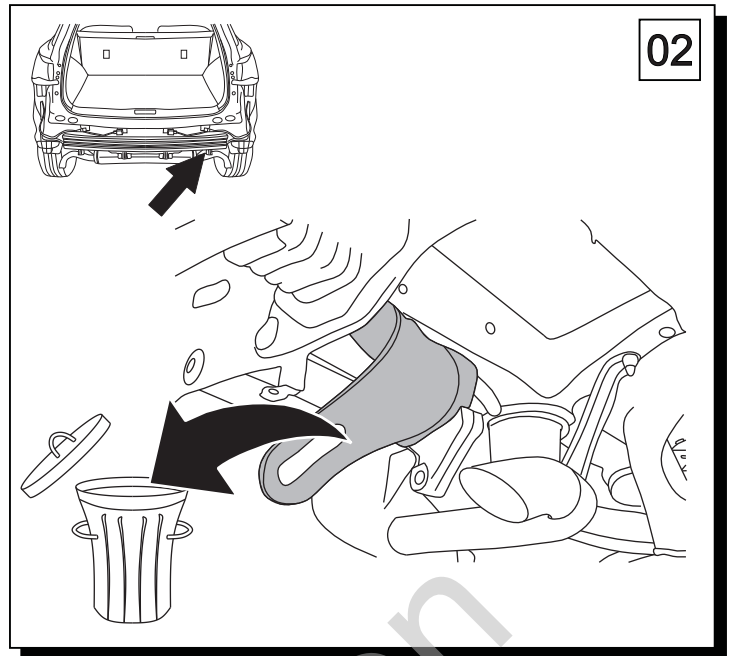
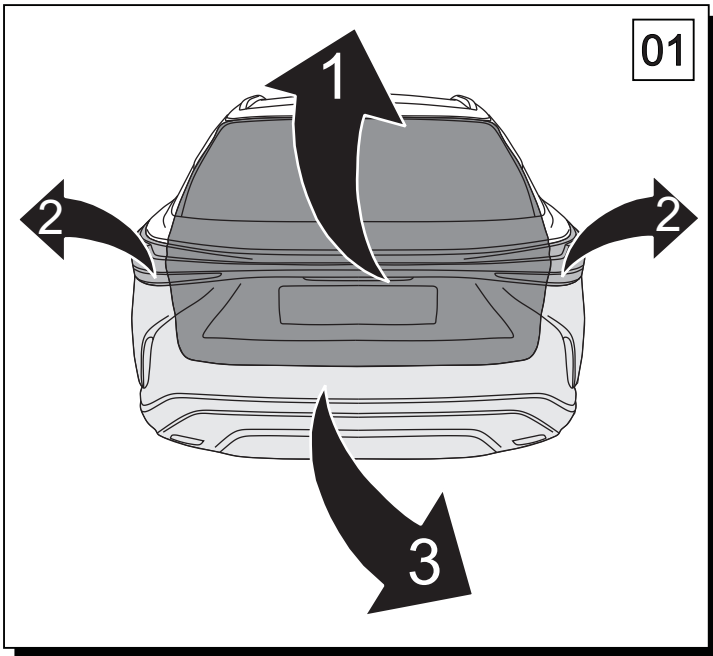


śruba Nm	M6	M8	M10	M12	M14	M16
klasa 8.8	9,9	24	48	83	132	200
klasa 10.9	14	34	67	117	185	285

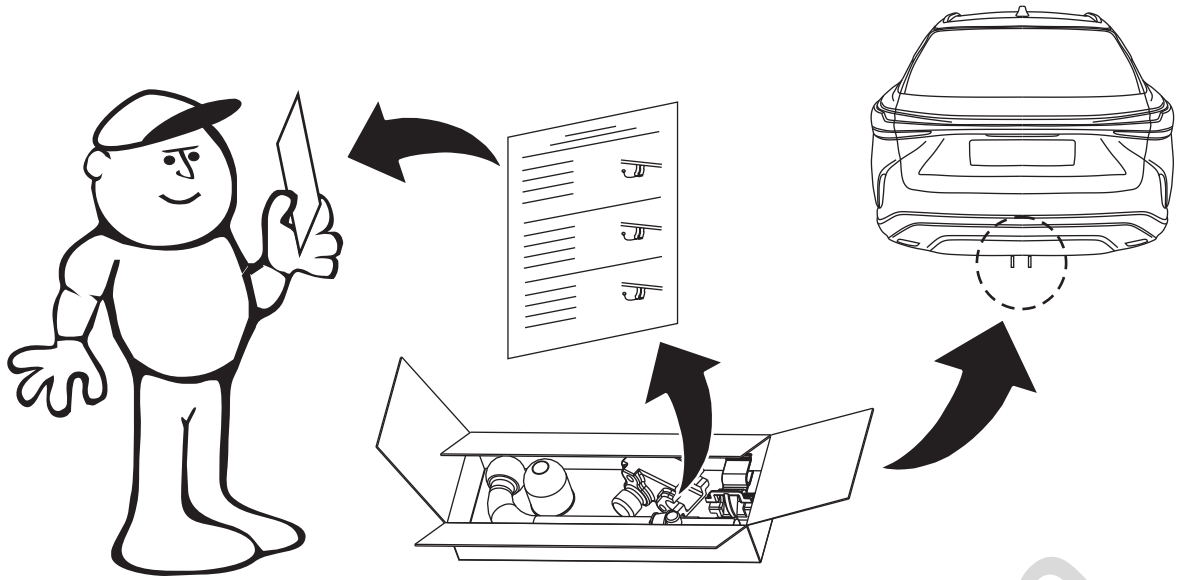
 0 km →  1000 km



	x1		4	M12x35	x4	
				5	M8x50	x1
				6	∅ 37x∅13x3 13 DIN 9021	x4
				7	∅ 8.4	x3
 Art.nr-KL1O105A	x1		8	∅ 12.2	x4	
				9	M8 (DIN985)	x1
				 Art.nr-BL1O105A		3



07



Olifant trekhaken