

AUTO-HAK Sp. z o.o.

ul. Słoneczna 16K 76-200 SŁUPSK
POLAND

tel/fax +48 59 8 414 414; +48 59 8 414 413

e-mail: office@autohak.com.pl

www.autohak.com.pl



AUTO-HAK

LEXUS RX

Nr kat.

0105



10.2022 →



E20*55R02*6716



12,0 kN



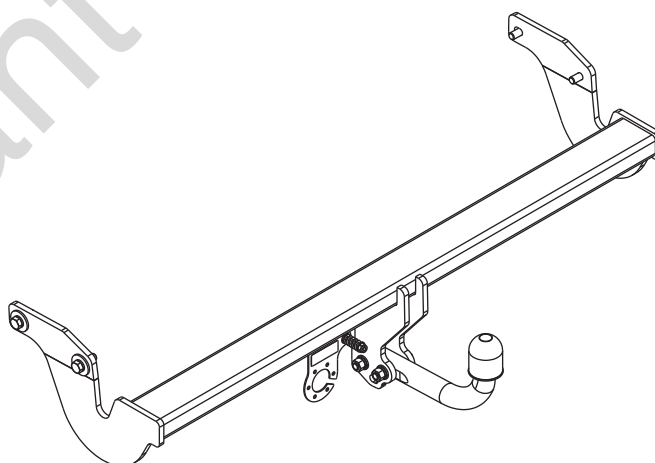
R=2000 kg



S=80 kg



2h



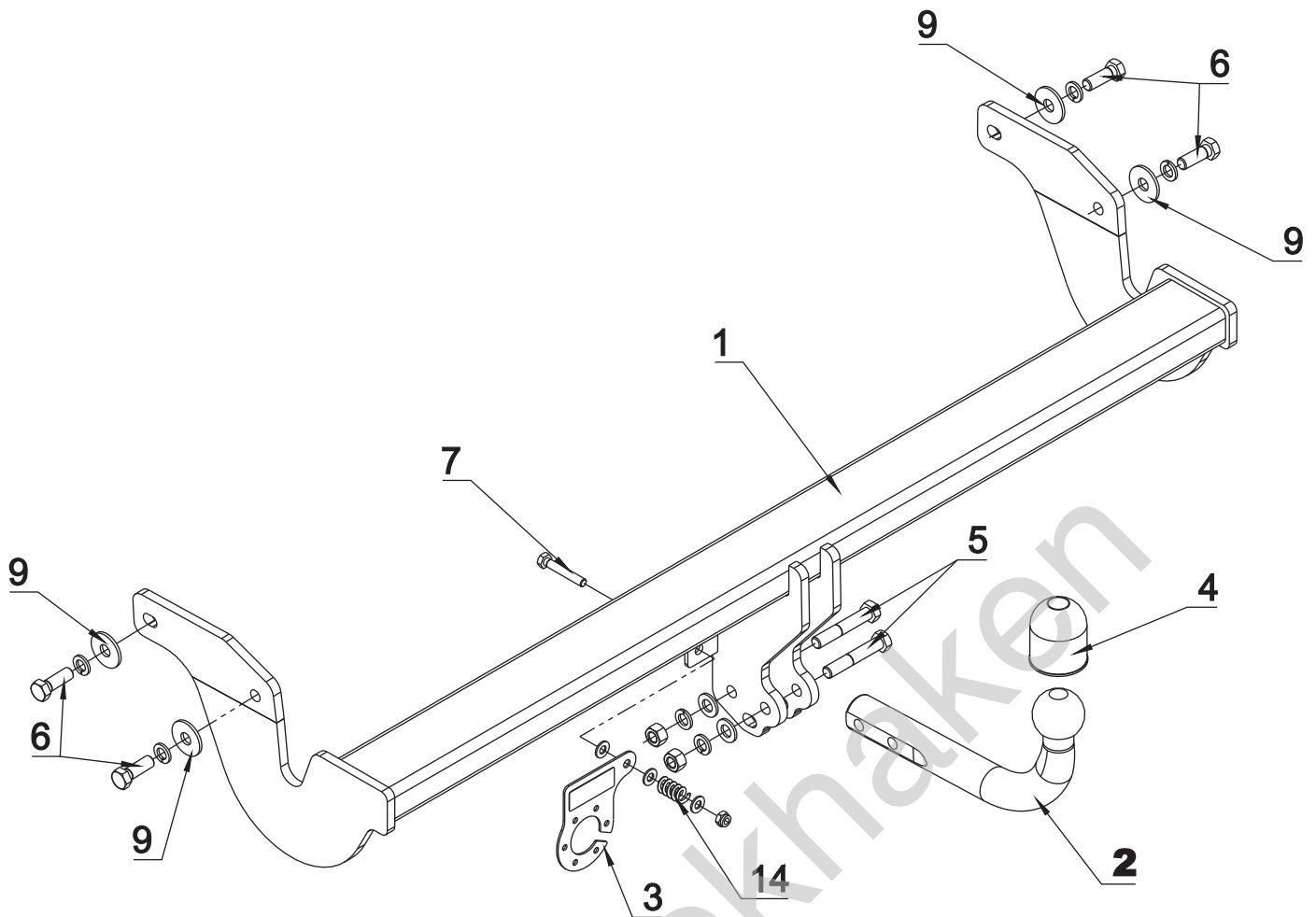
śruba Nm	M6	M8	M10	M12	M14	M16
klasa 8.8	9,9	24	48	83	132	200
klasa 10.9	14	34	67	117	185	285

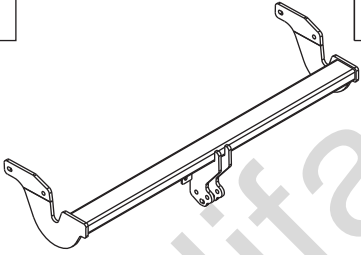





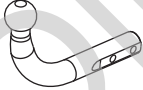


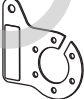
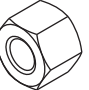





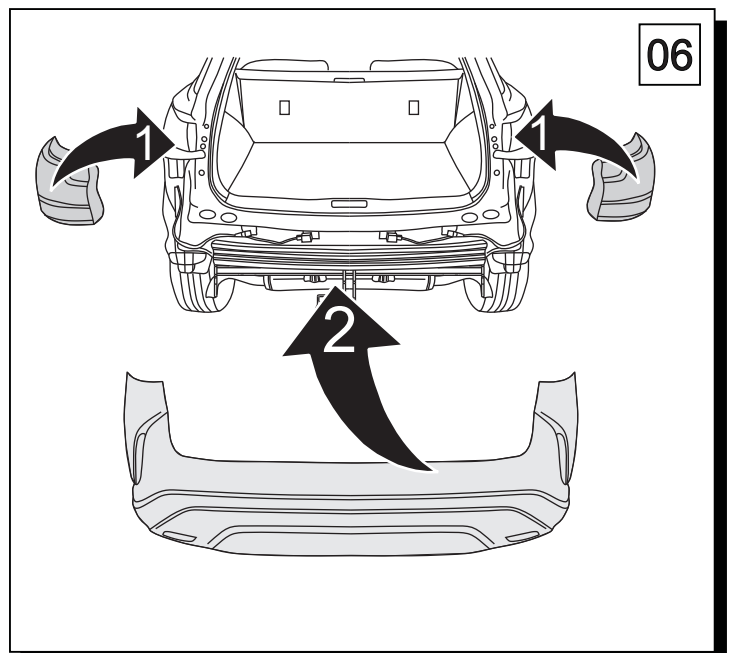
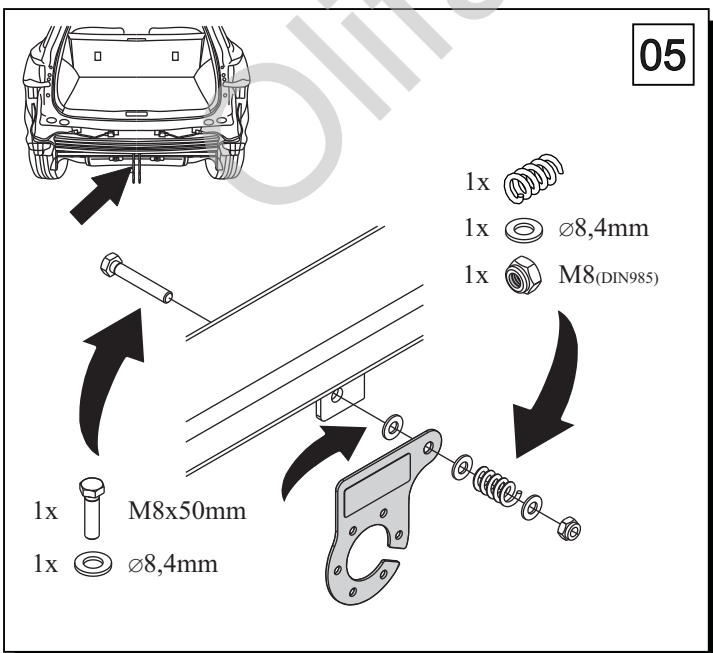
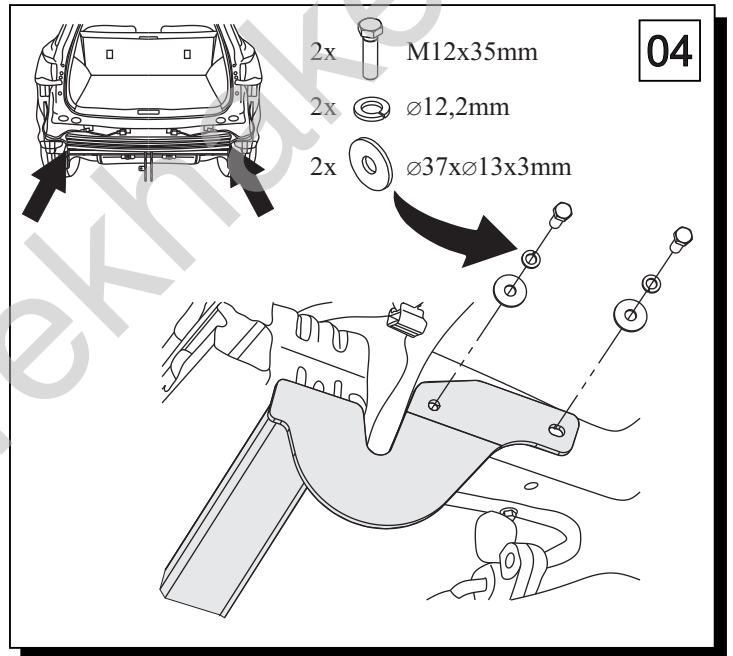
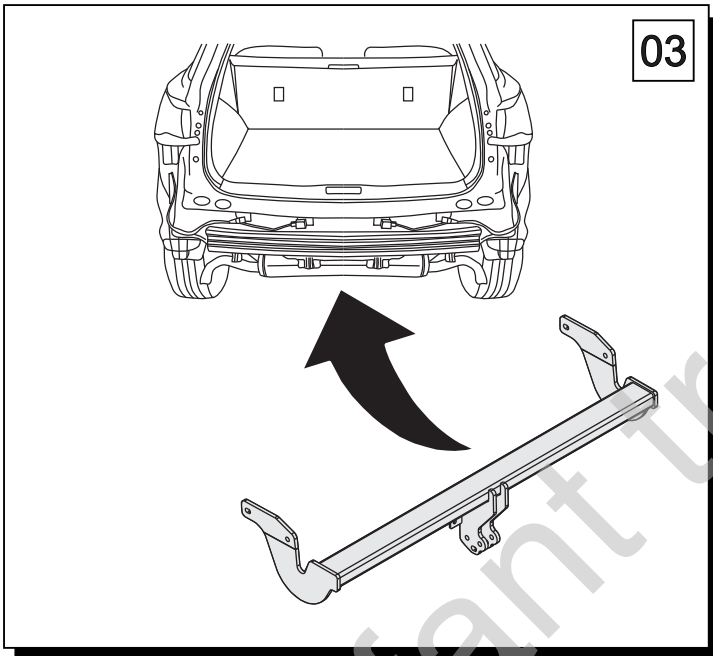
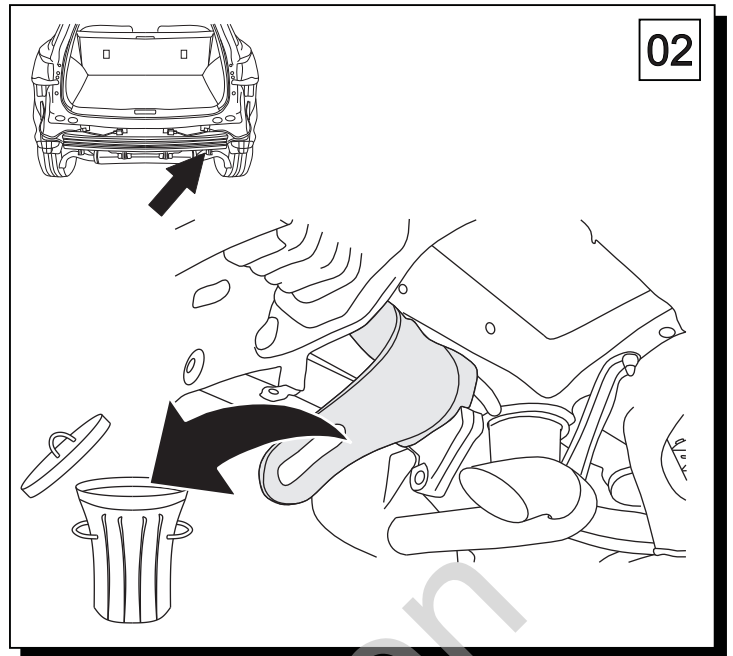
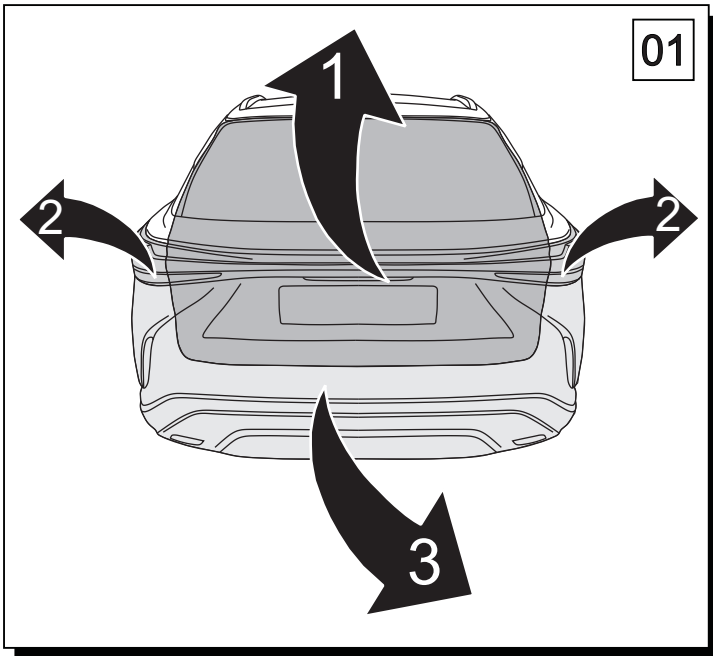
0 km →



1000 km




1		x 1		5 M12x70	x 2
				6 M12x35	x 4
				7 M8x50	x 1
				8 \varnothing 13	x 2
				9 \varnothing 37x \varnothing 13x3 13 DIN 9021	x 4
2		x 1		10 \varnothing 8.4	x 3
	Art.nr-KL10105			11 \varnothing 12.2	x 6
3		x 1		12 M12	x 2
	Art.nr-BL10105			13 M 8 (DIN985)	x 1
4		x 1		14	x 1



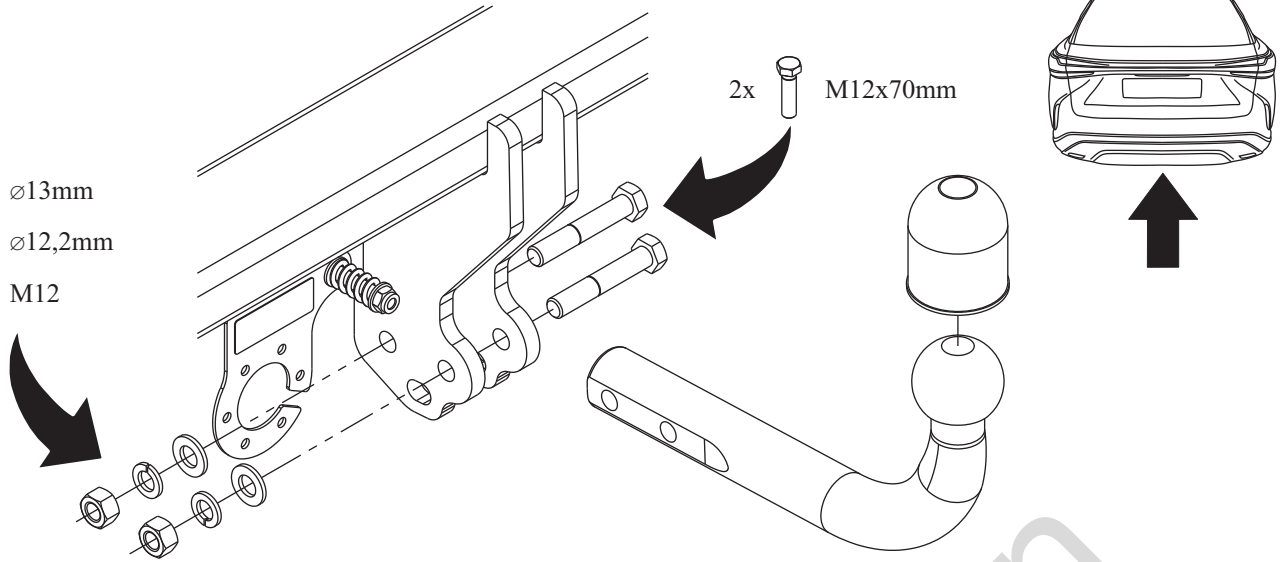
07

2x  $\varnothing 13\text{mm}$

2x  $\varnothing 12,2\text{mm}$

2x  M12

2x  M12x70mm



Olifant trekhaken