

AUTO-HAK Sp. z o.o.

ul. Słoneczna 16K 76-200 SŁUPSK
POLAND

tel/fax +48 59 8 414 414; +48 59 8 414 413

e-mail: office@autohak.com.pl

www.autohak.com.pl




AUTO-HAK

TOYOTA COROLLA CROSS (G1)

Nr kat.


O104

 03.2021 →

 E20*55R02*6550

D 6,15 kN

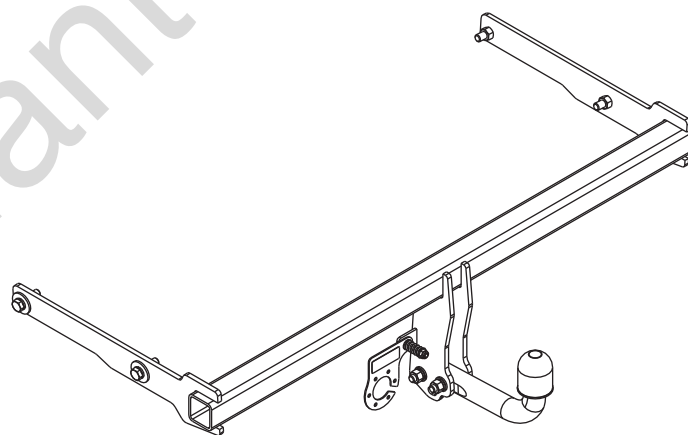
 R=900 kg

 S=75 kg

 1h

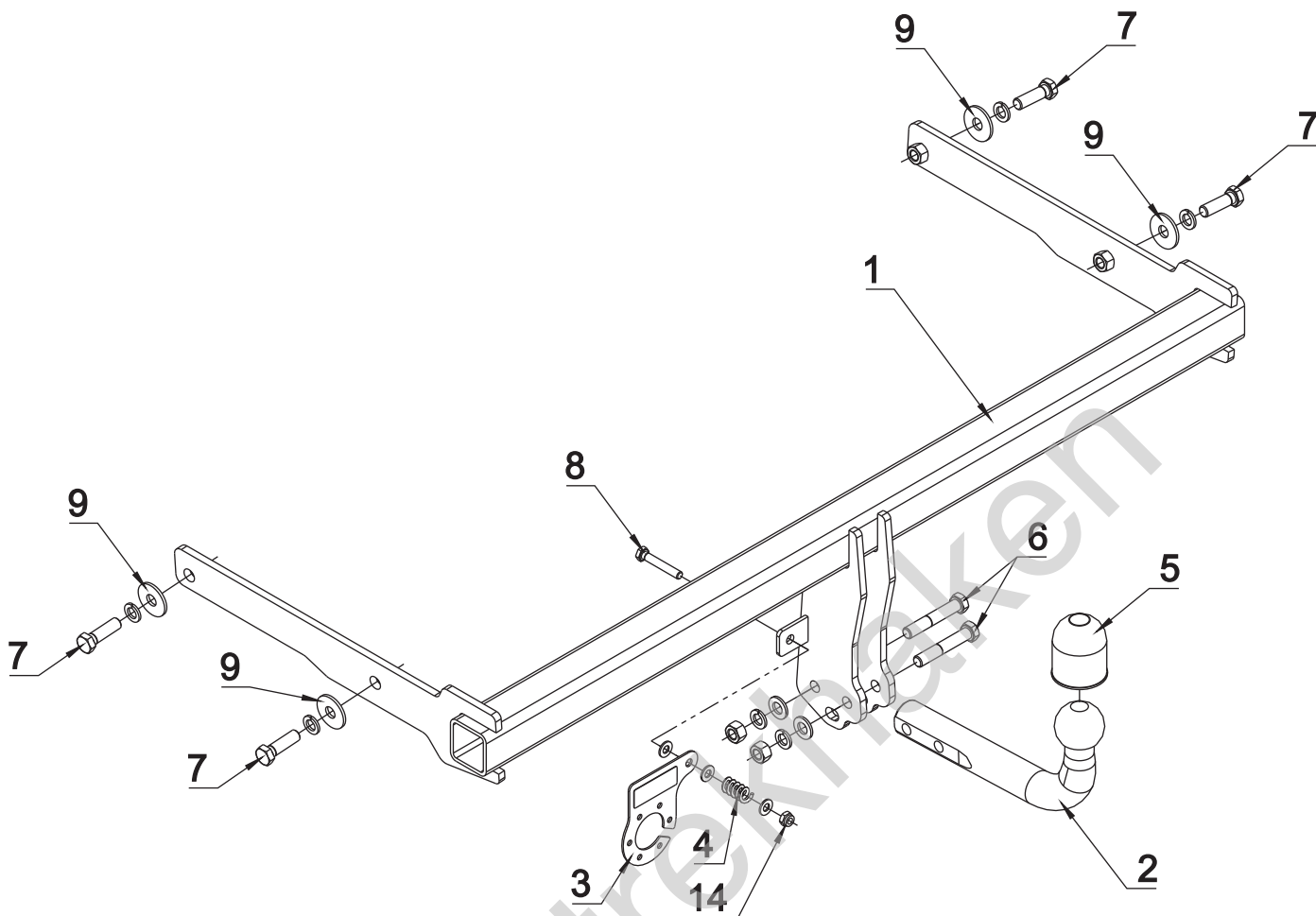


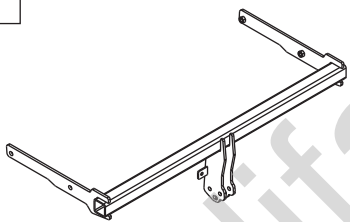
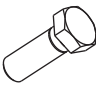
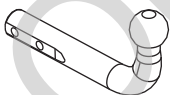



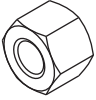







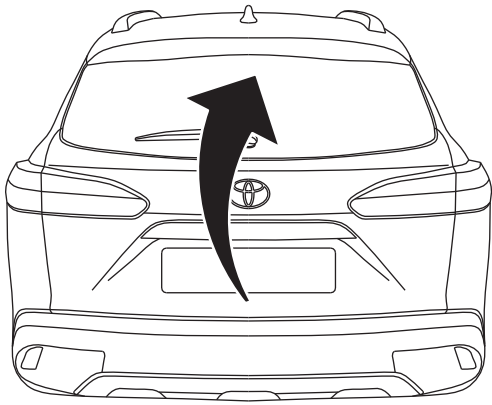
śruba	Nm	M6	M8	M10	M12	M14	M16
klasa 8.8		9,9	24	48	83	132	200
klasa 10.9		14	34	67	117	185	285

 0 km →  1000 km

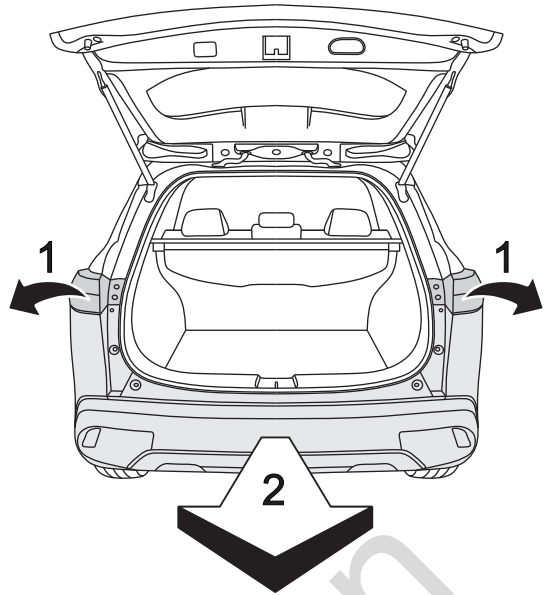


1		x1		6	M12x70	x2
				7	M12x40	x4
				8	M8x50	x1
				9	∅ 37x∅13x3 13 DIN 9021	4
2		x1		10	∅ 13	x2
				11	∅ 8.4	x3
3	 Art.nr-KL10104	x1		12	∅ 12.2	x6
4	 Art.nr-BL120104	x1		13	M12	x2
5		x1		14	M8 (DIN985)	x1
			15			x2

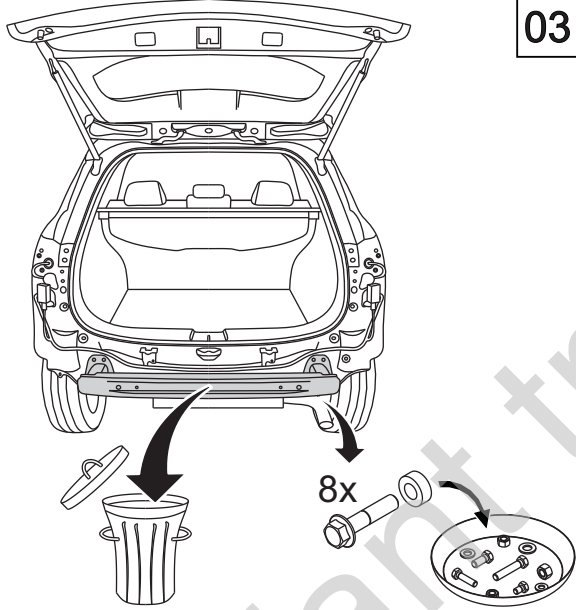
01



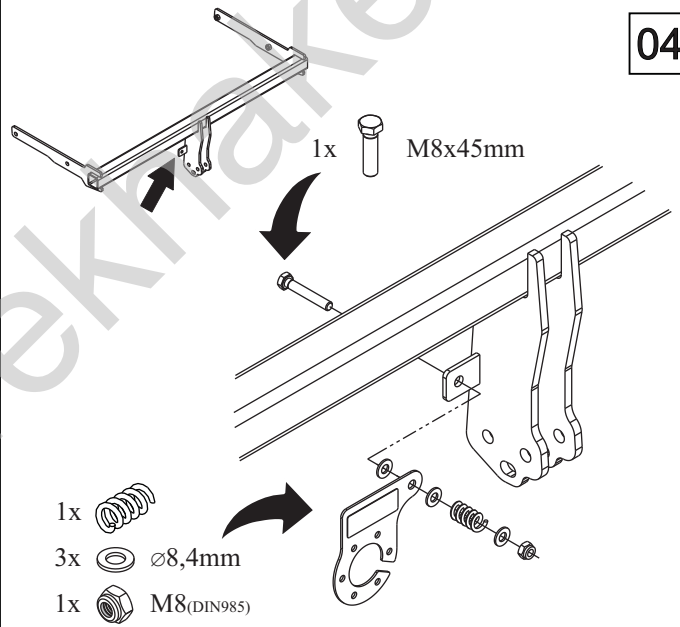
02



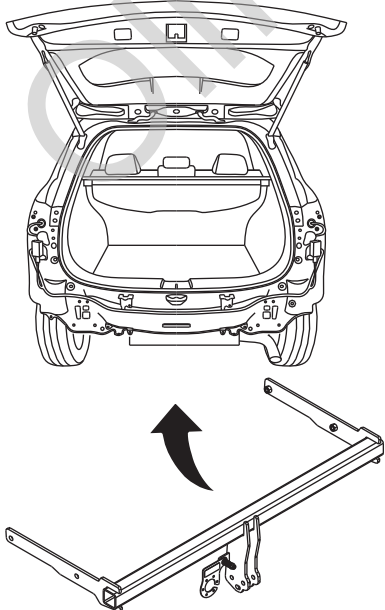
03



04



05



06

