

# AUTO-HAK Sp. z o.o.

ul. Słoneczna 16K 76-200 SŁUPSK  
POLAND

tel/fax +48 59 8 414 414; +48 59 8 414 413

e-mail: [office@autohak.com.pl](mailto:office@autohak.com.pl)

[www.autohak.com.pl](http://www.autohak.com.pl)



# AUTO-HAK

## TOYOTA YARIS

Nr kat.


**O100A**

 06.2020 →


 E20-55R-02 6113

**D** 5,74 kN

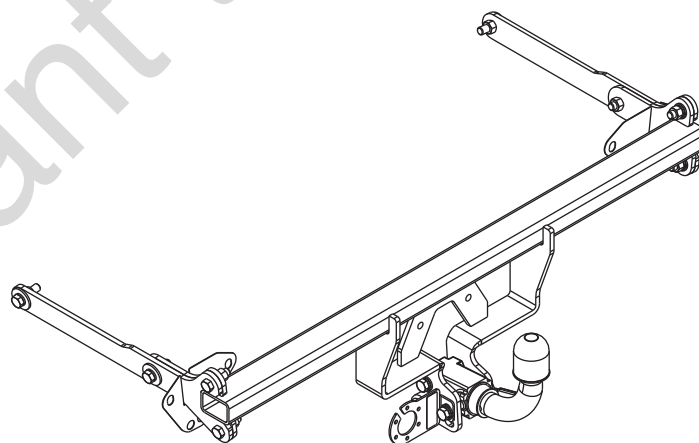
 R=850 kg

 S=50 kg

  2h

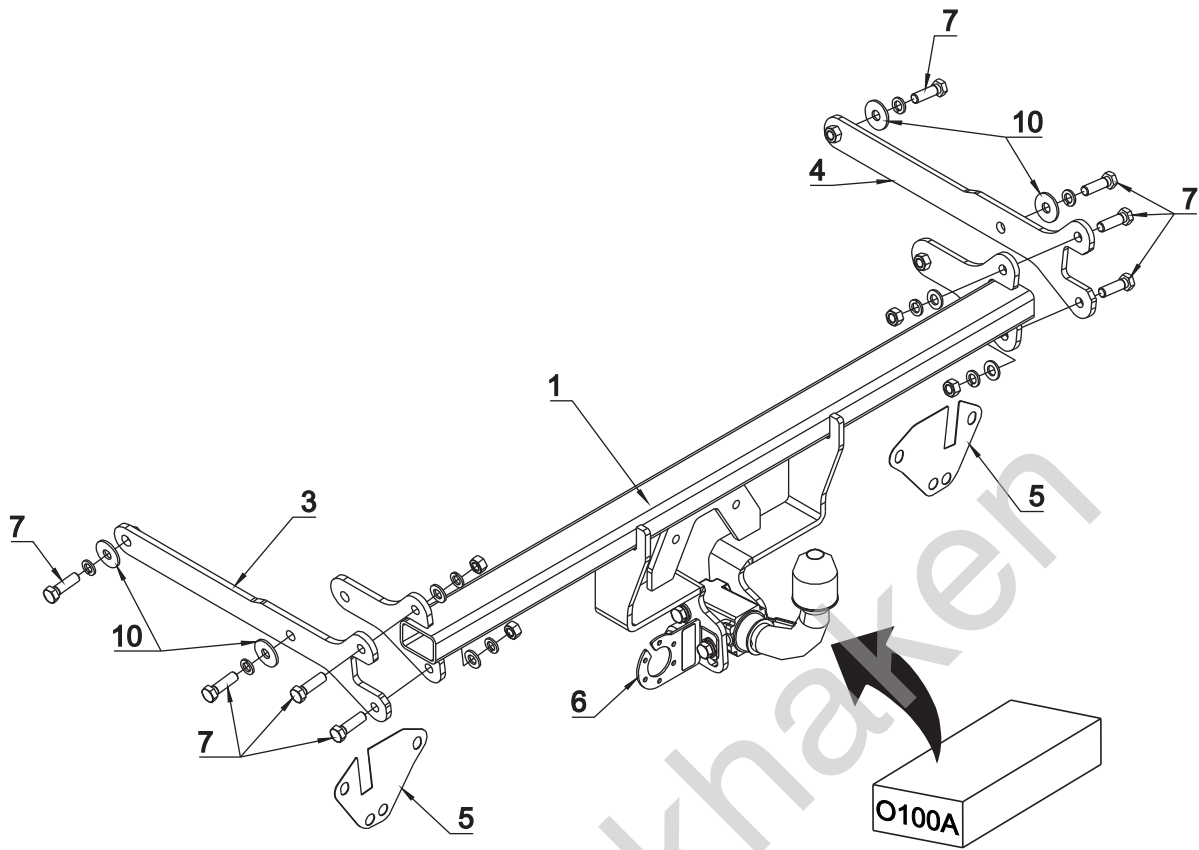
 

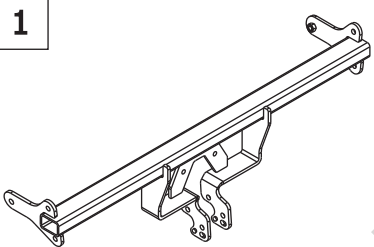




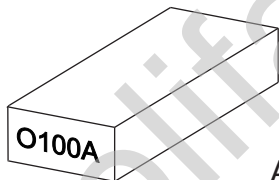

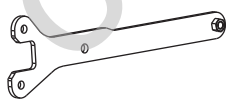
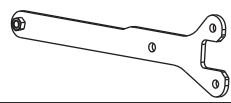
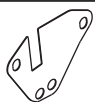
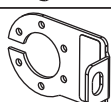
 



śruba	Nm	M6	M8	M10	M12	M14	M16
klasa 8.8		9,9	24	48	83	132	200
klasa 10.9		14	34	67	117	185	285

 0 km →  1000 km

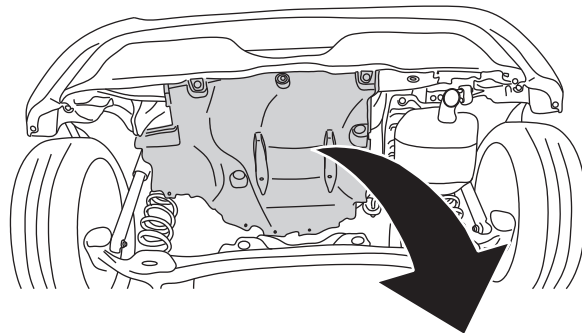


	x1		7 M12x40	x8
			8 $\phi$ 13	x4
			9 $\phi$ 37x $\phi$ 13x3 13 (DIN 9021)	x4
			10 $\phi$ 12.2	x8
 Art.nr-KL1O100A	x1		11 M12	x4
	x1			
	x1			
	x2			
	x1			
		Art.nr-BL1O100A		

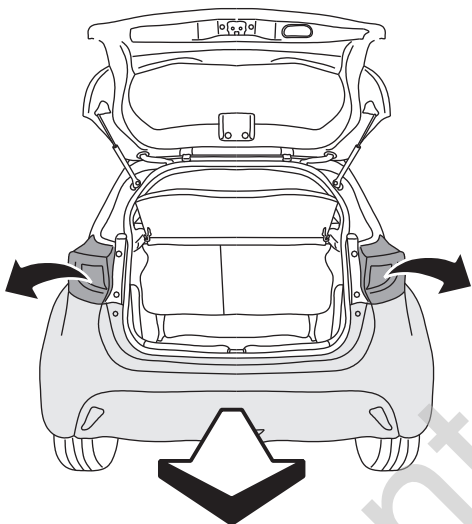
01



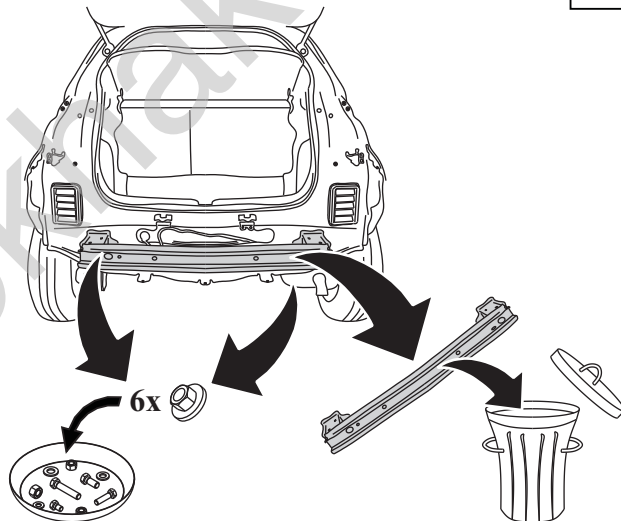
02



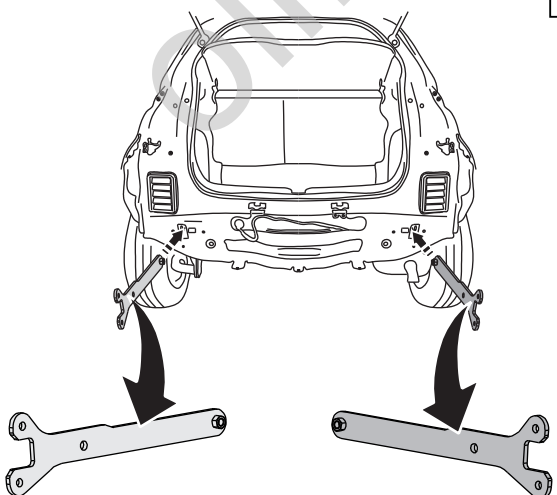
03



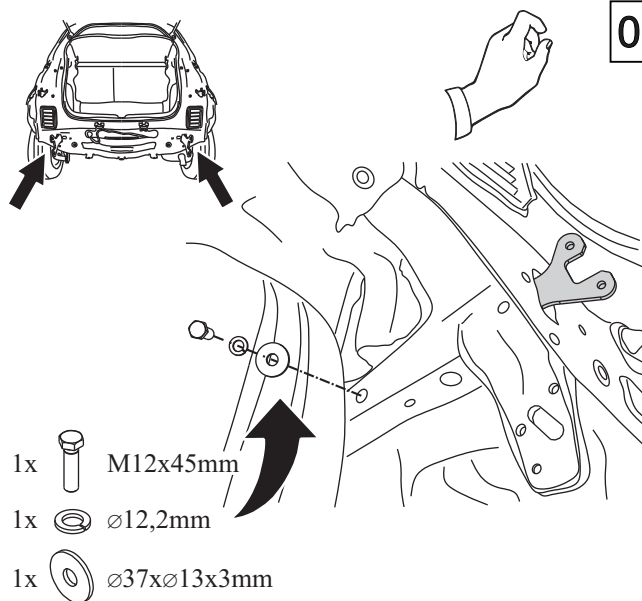
04

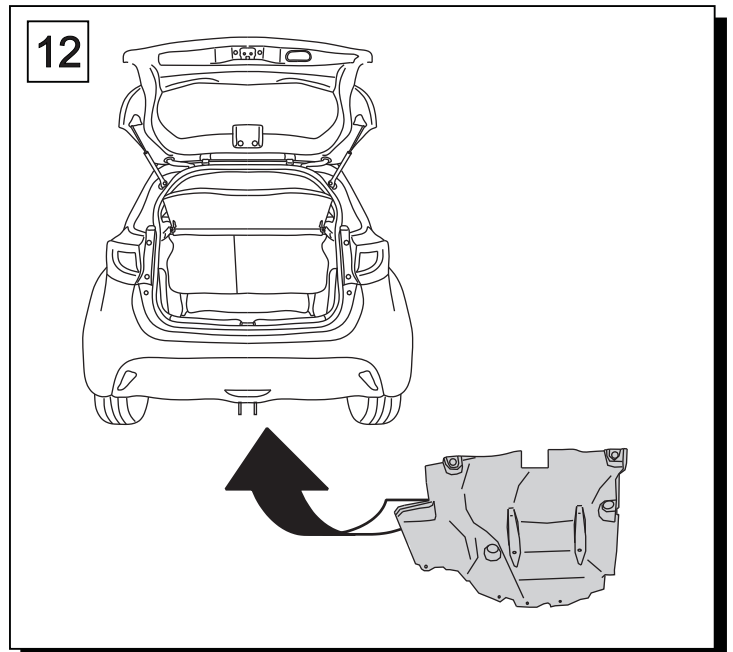
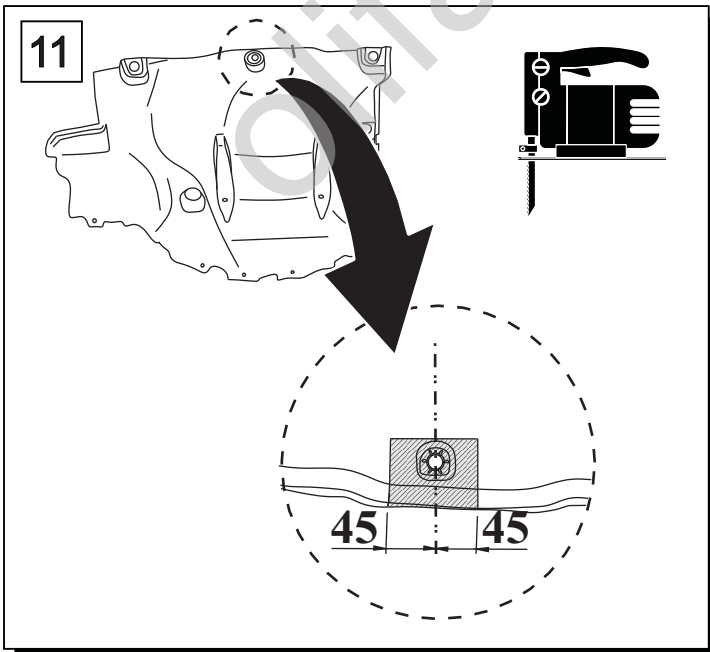
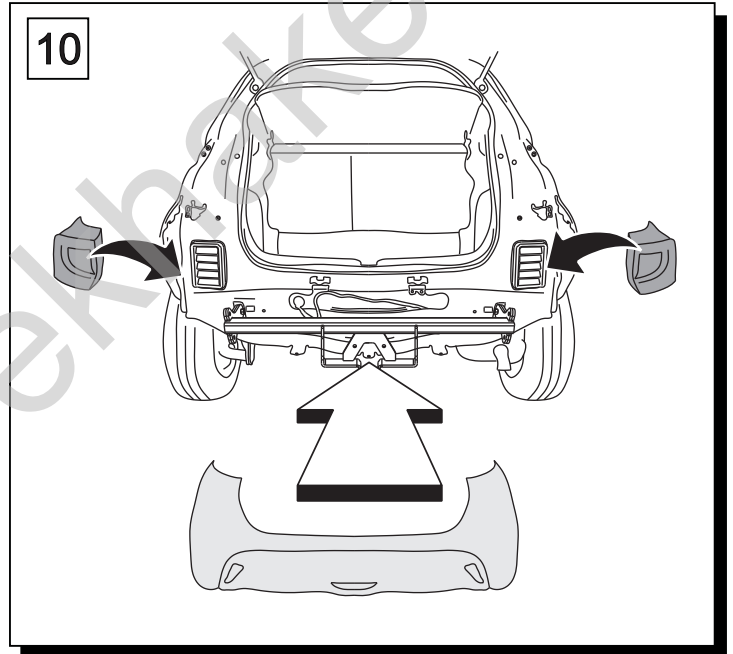
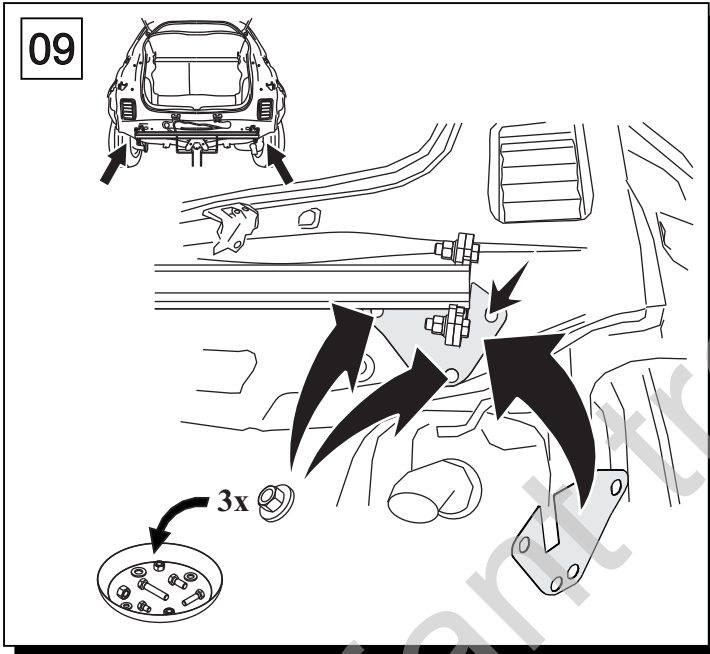
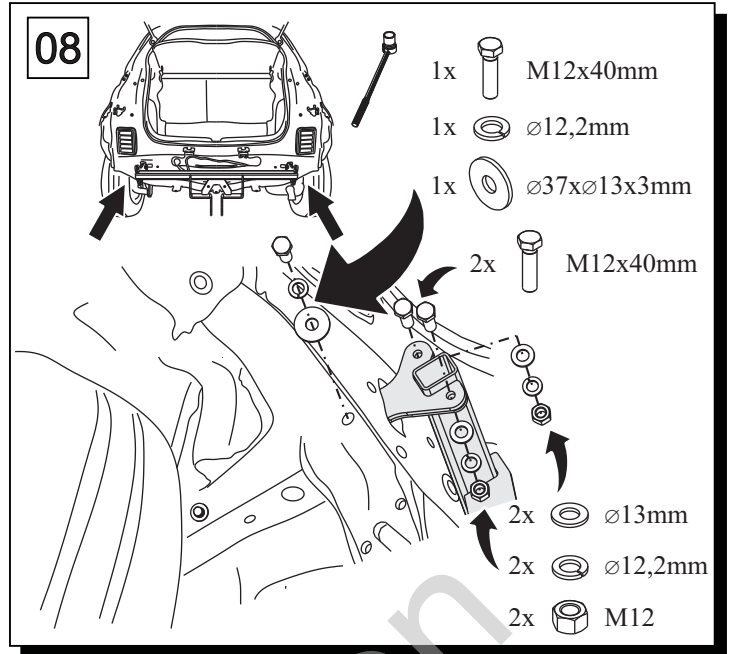
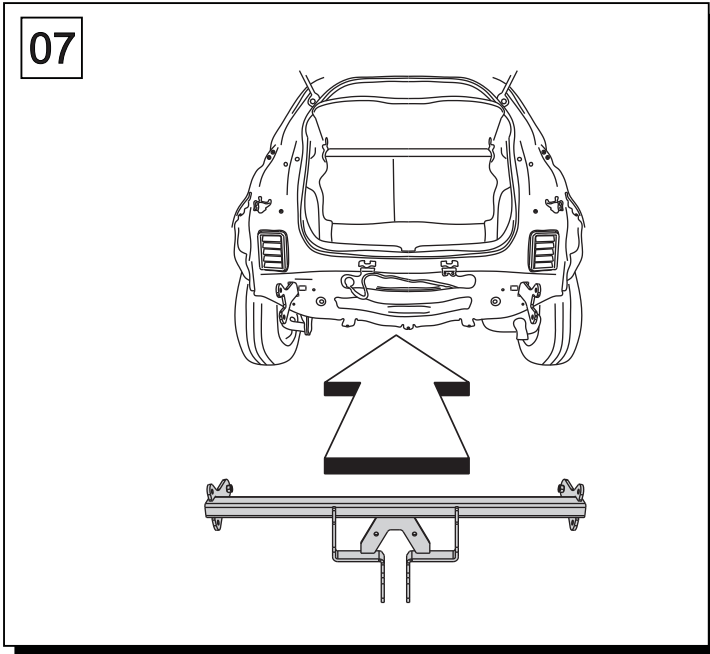


05

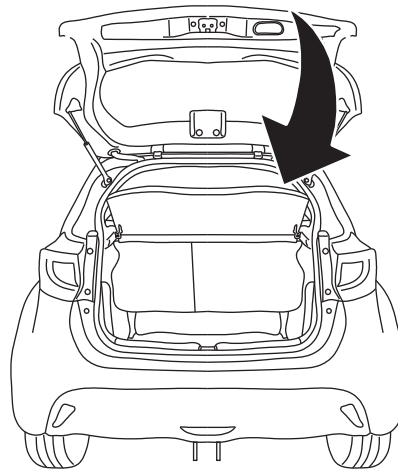


06

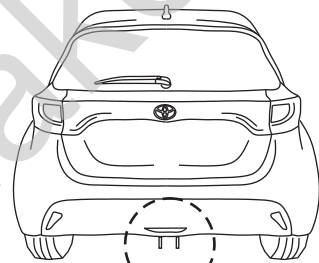
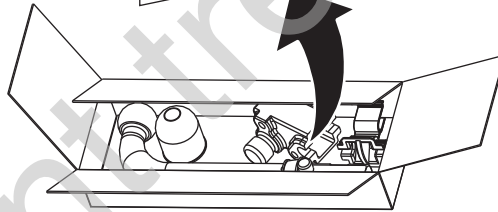
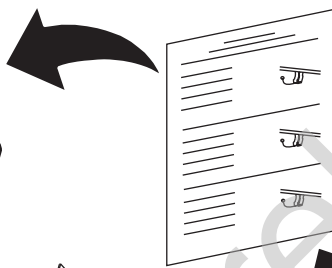
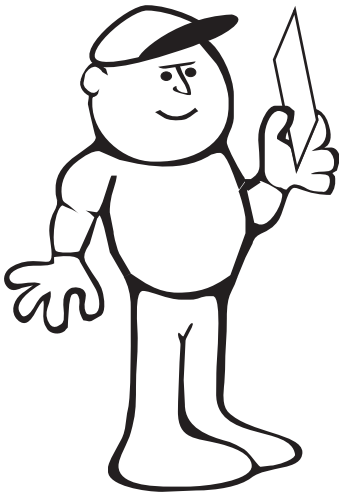




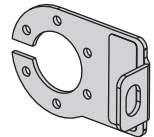
13



14



+



Olifant Trekhakken