

PPUH AUTO-HAK Sp.J.

Henryk & Zbigniew Nejman
ul. Słoneczna 16K 76-200 SŁUPSK
POLAND

tel/fax +48 059 8-414-414; 8-414-413

e-mail: office@autohak.com.pl

www.autohak.com.pl



AUTO-HAK



TOYOTA AVENSIS 4/5D (T22)

Cat. no:

005



02.1998 → 03.2003



E20-55R-01 1136



1,5h



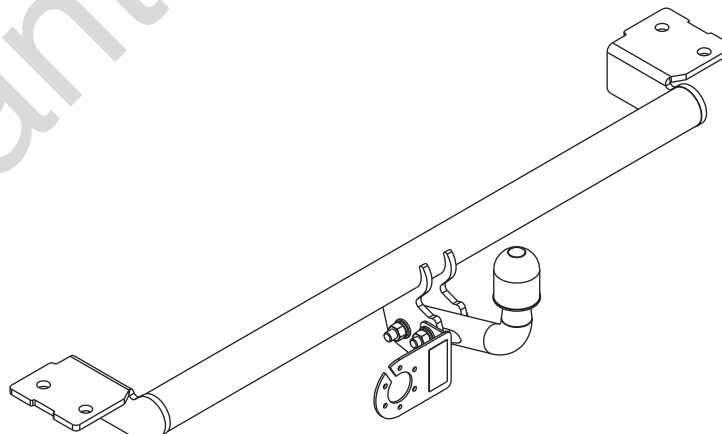
7,8 kN



R=1400 kg



S=75 kg



M6 - 11 Nm
M10 - 50 Nm
M14 - 138 Nm

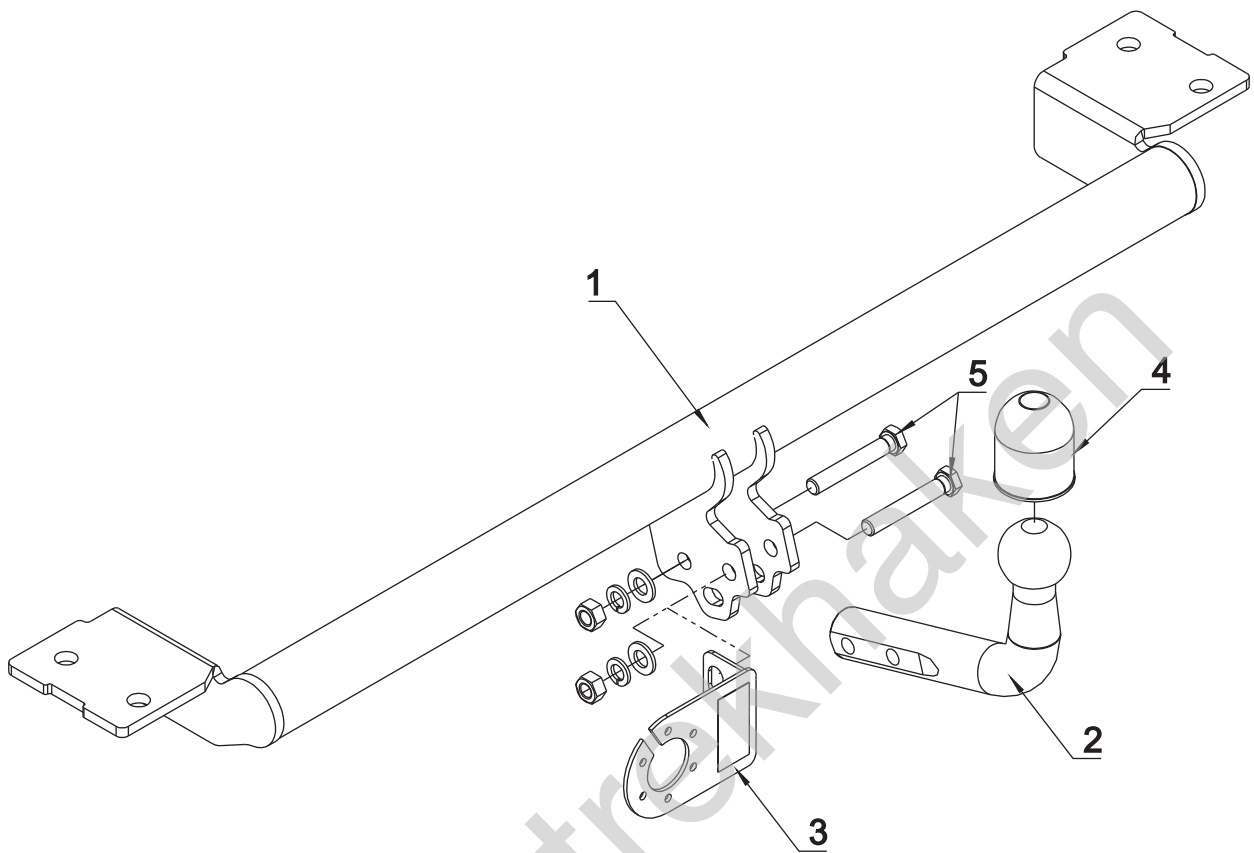
M8 - 25 Nm
M12 - 87 Nm
M16 - 210 Nm

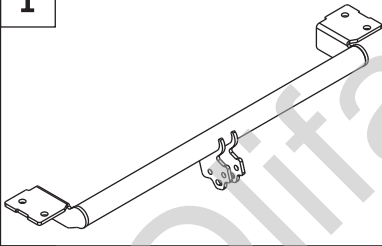



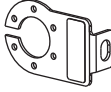





0 km

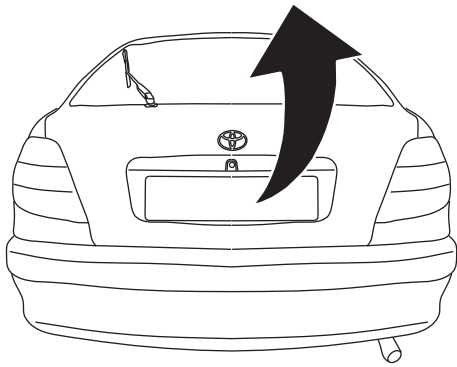


1000 km

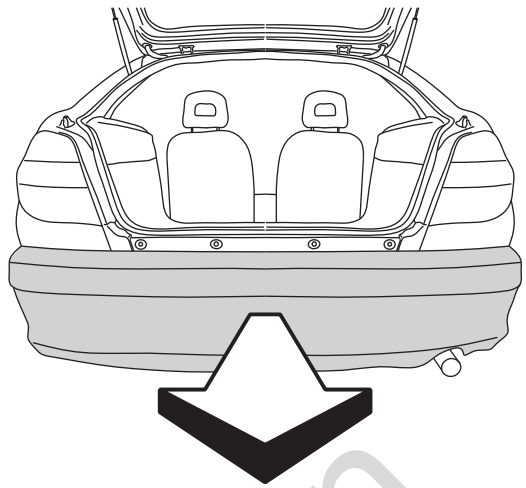


1		x1		5 M12x75	x2
2		x1 Art.nr-KL1005		6 \varnothing 13	x2
3		x1 Art.nr-BL1005		7 \varnothing 12.2	x2
4		x1		8 M12	x2

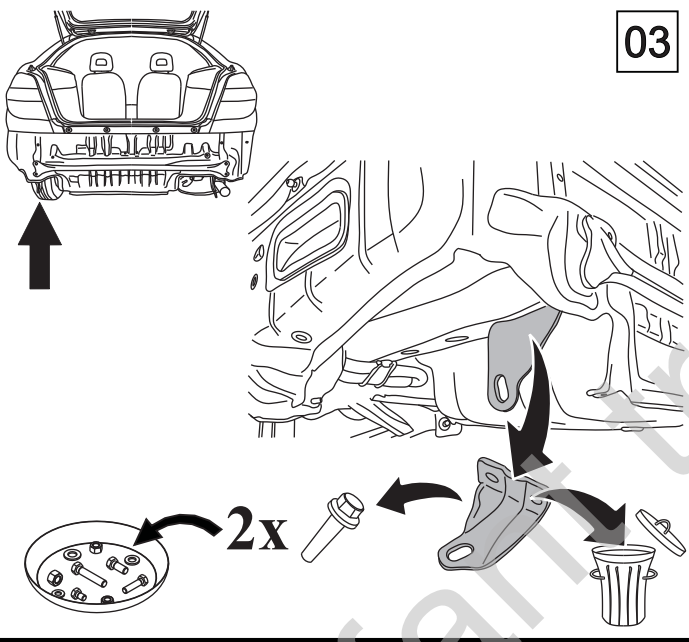
01



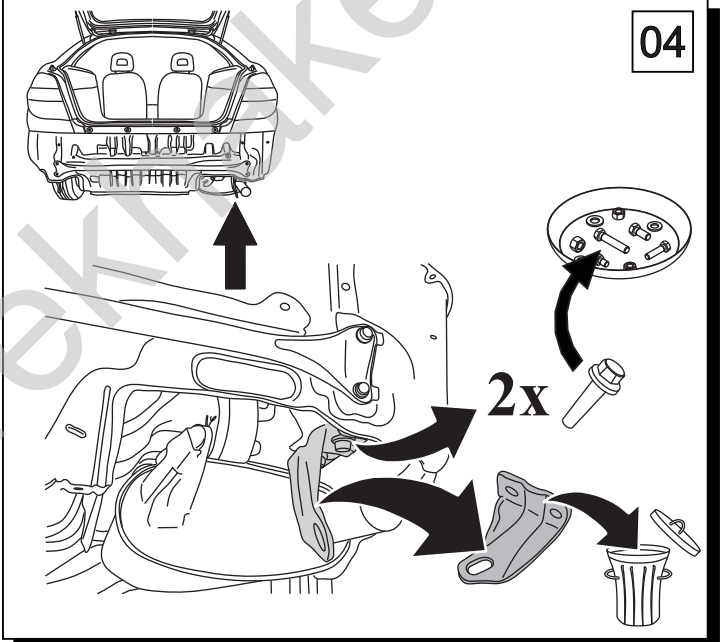
02



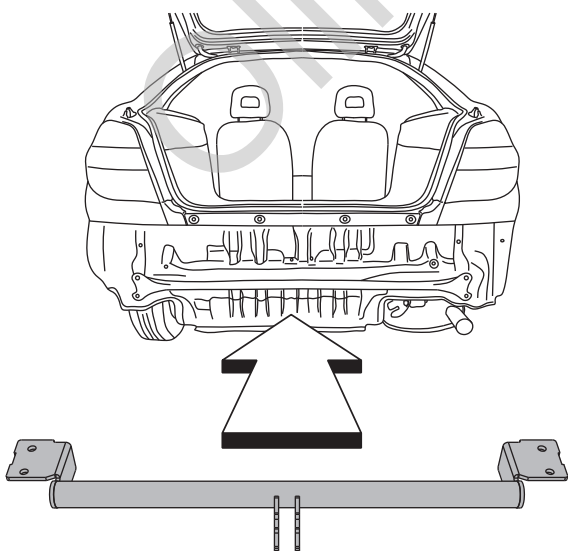
03



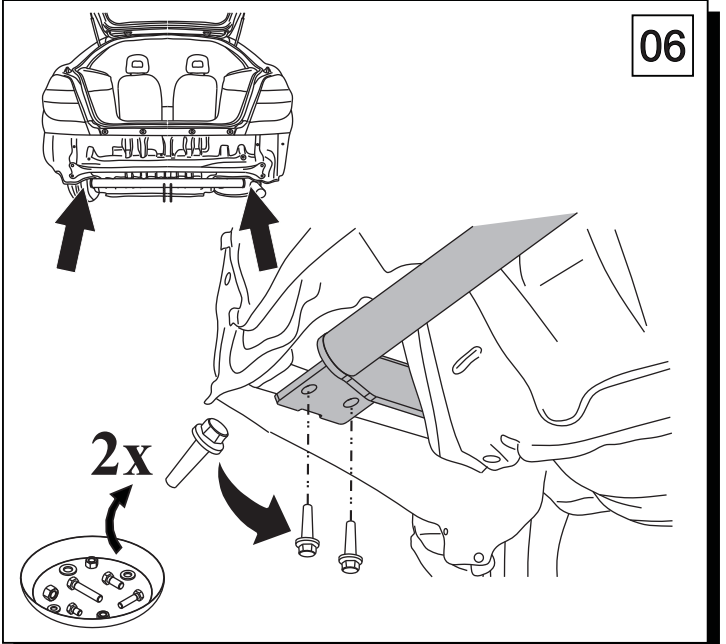
04



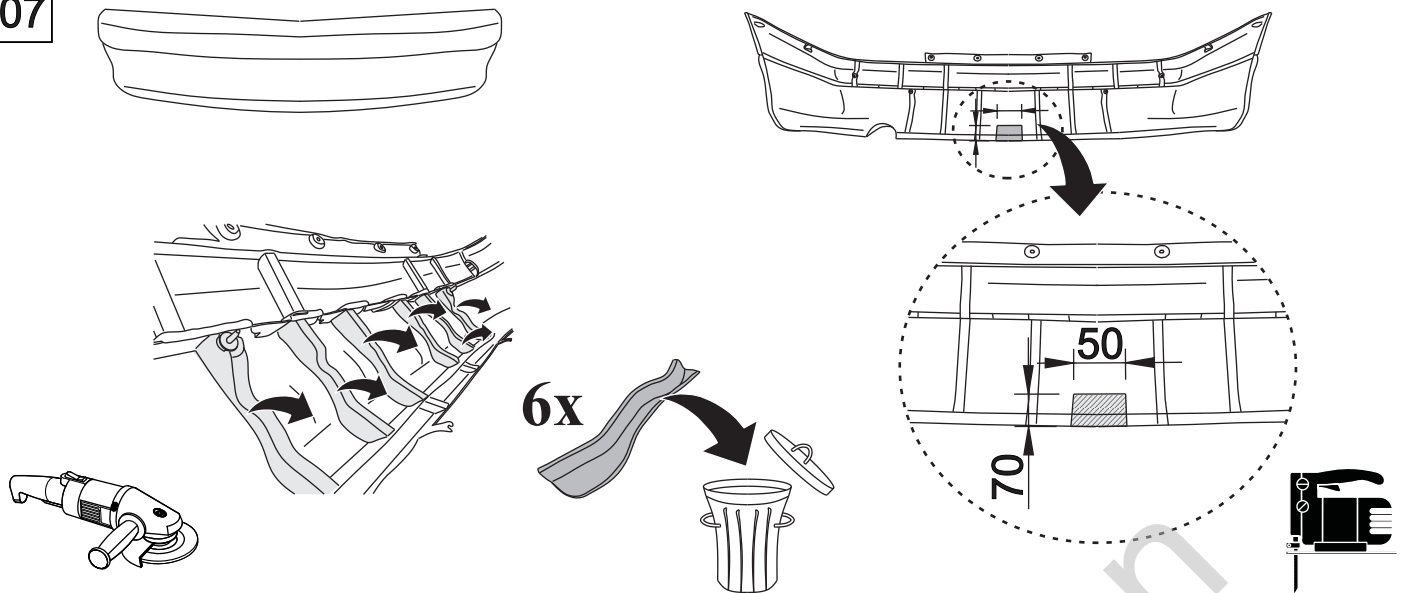
05



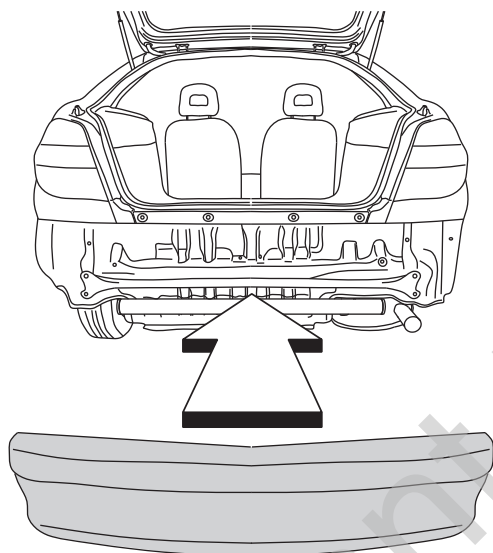
06



07



08



09

