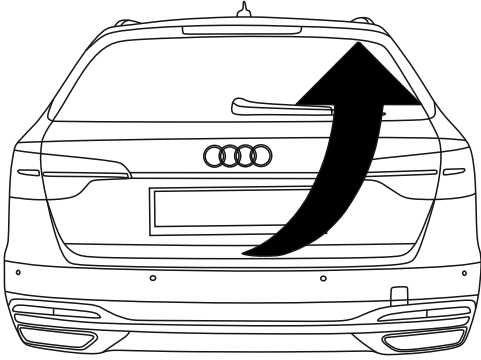
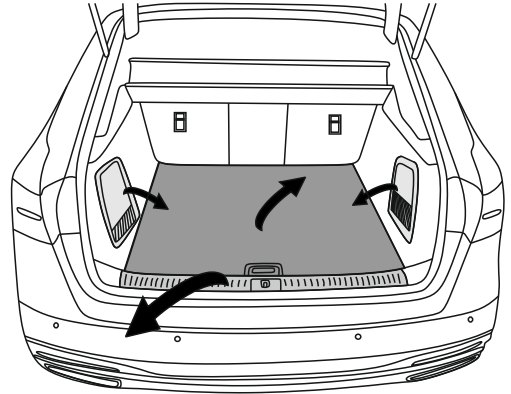


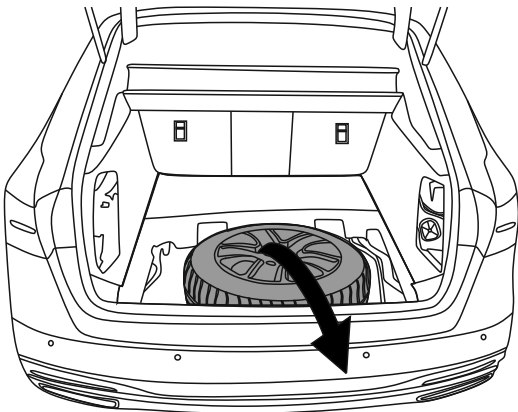
1



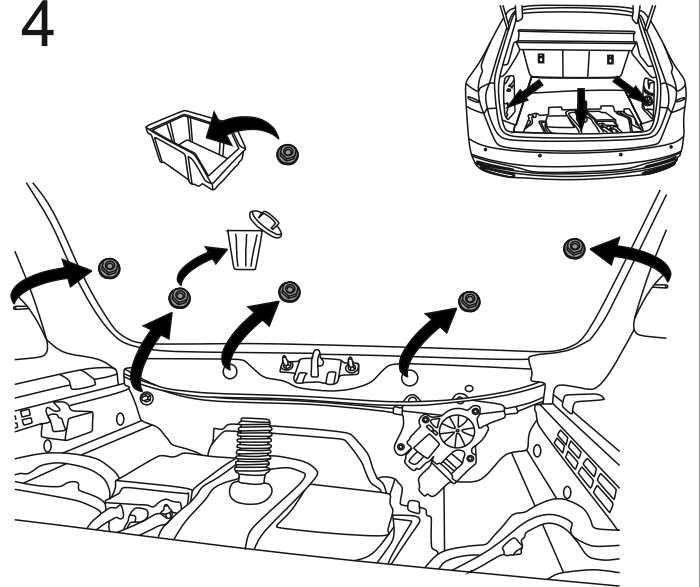
2



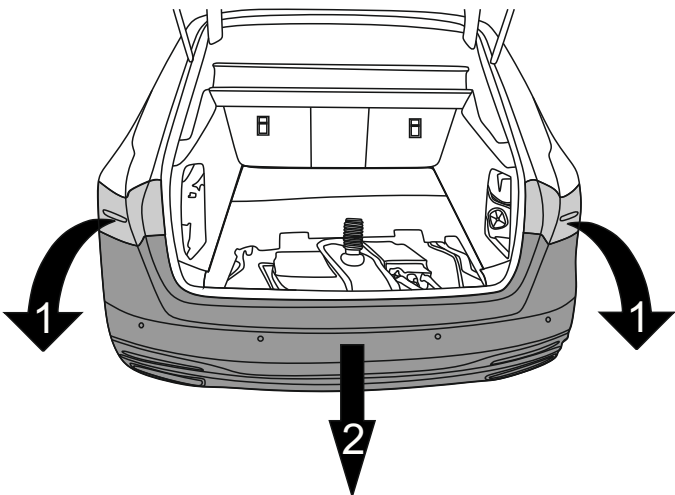
3



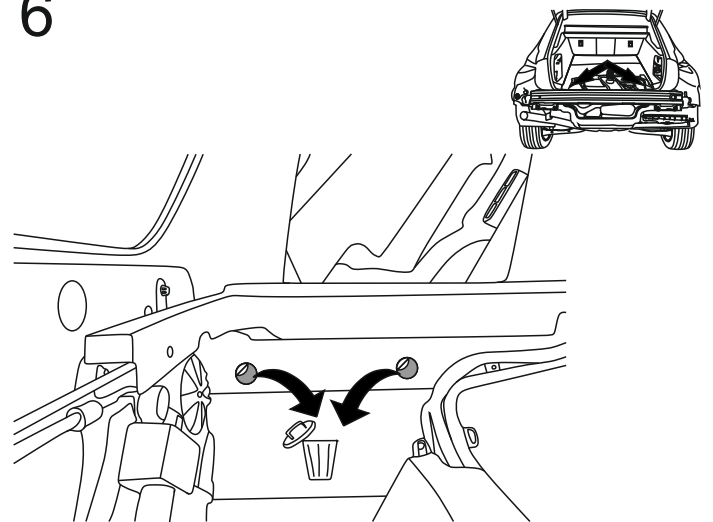
4

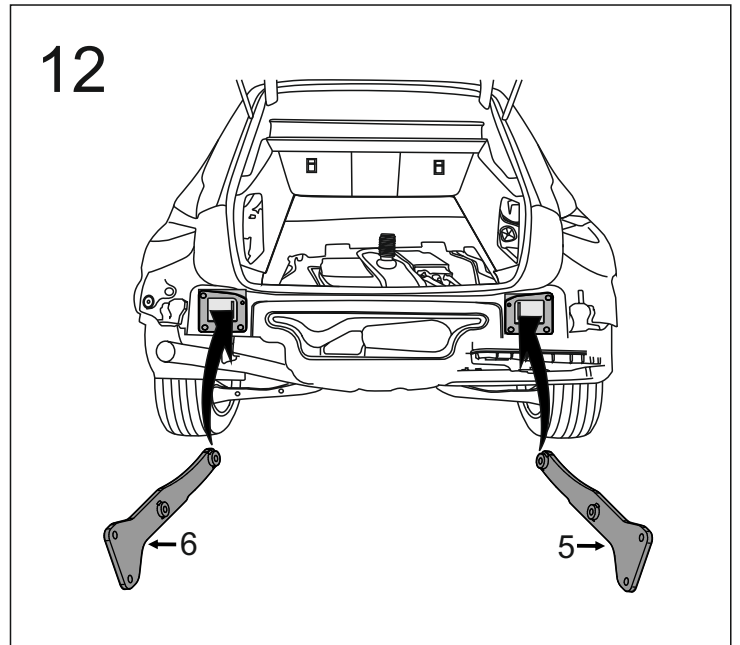
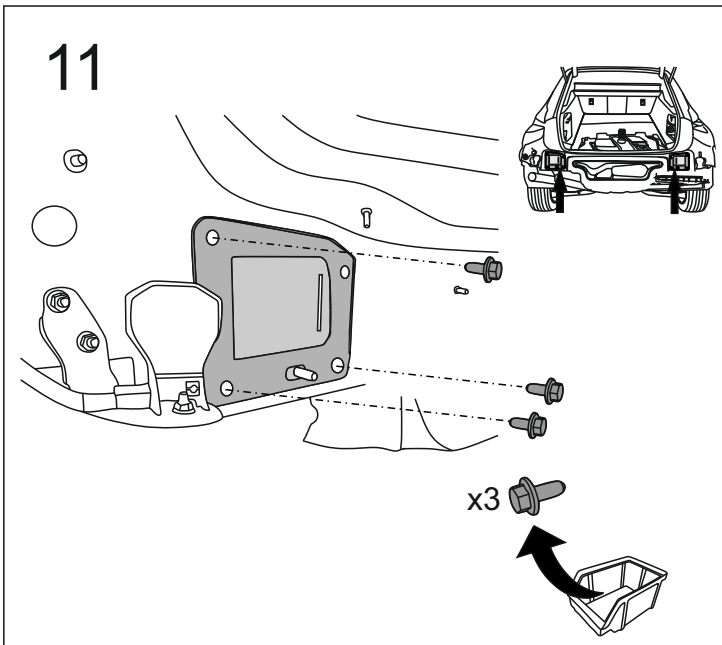
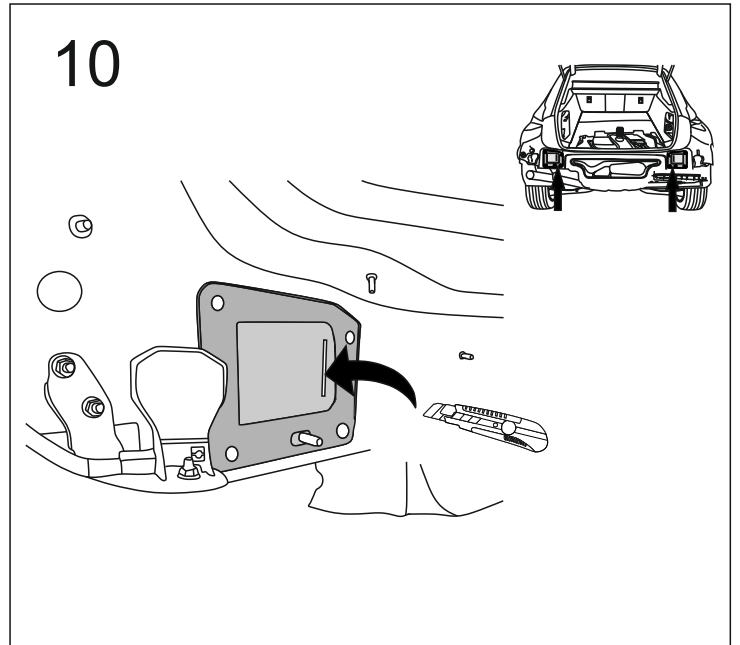
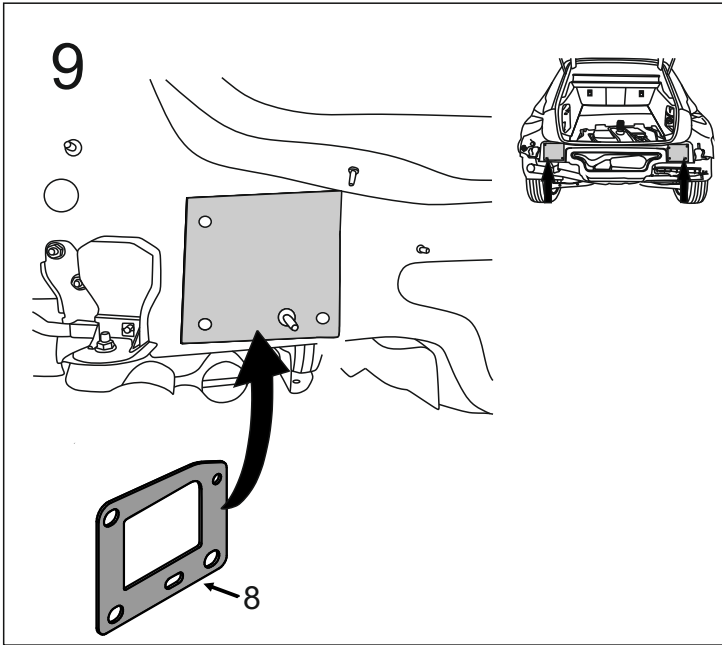
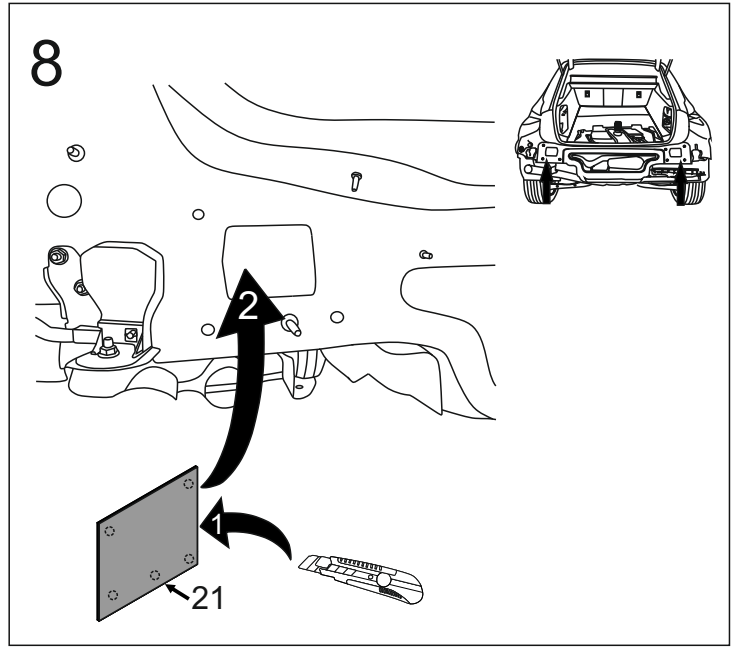
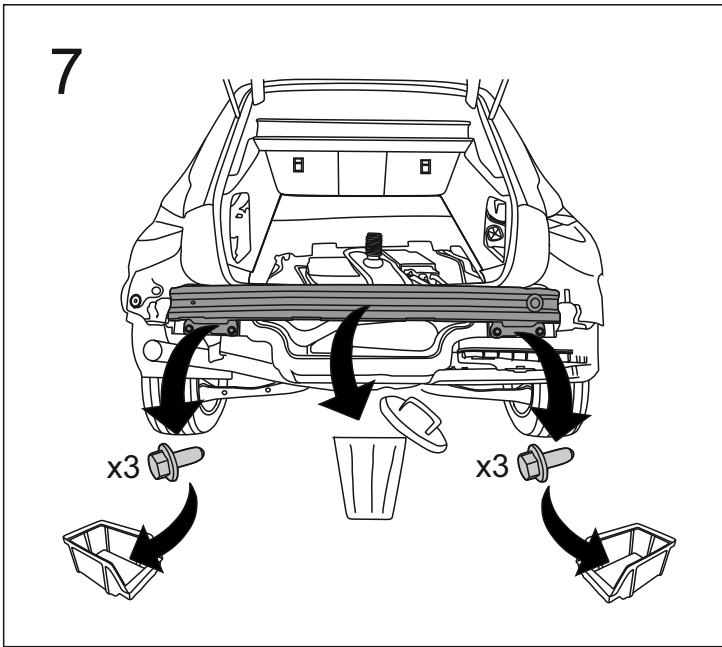


5

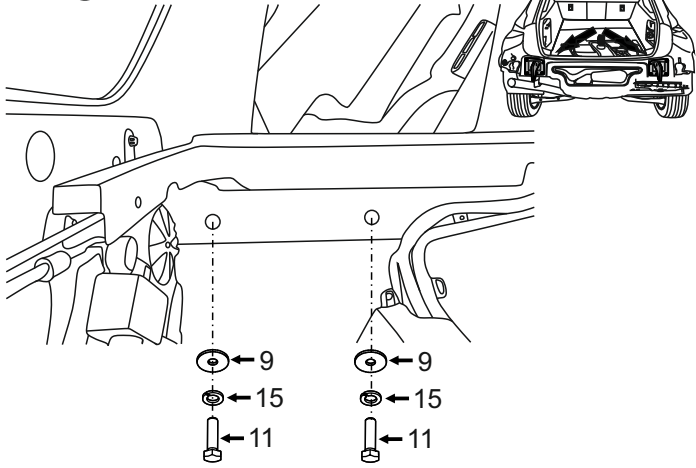


6

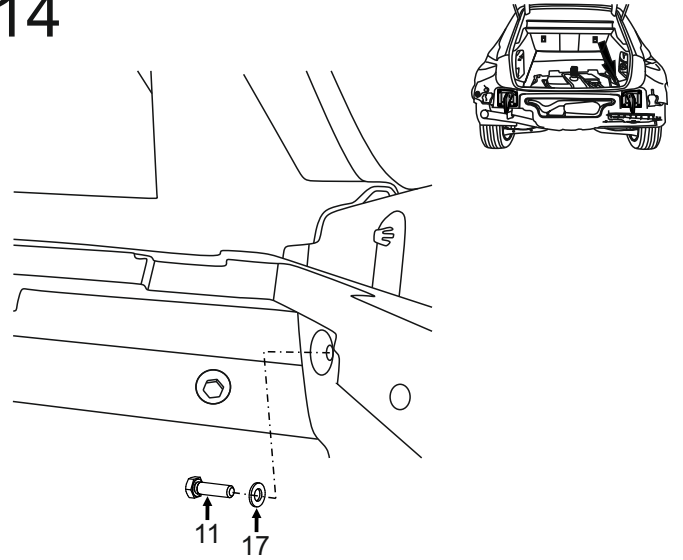




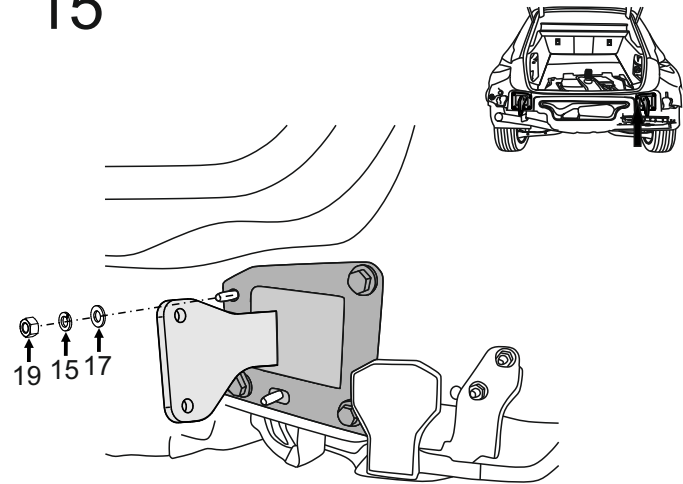
13



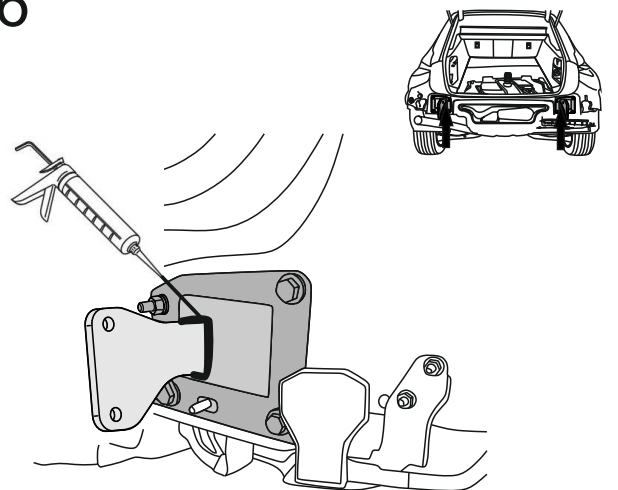
14



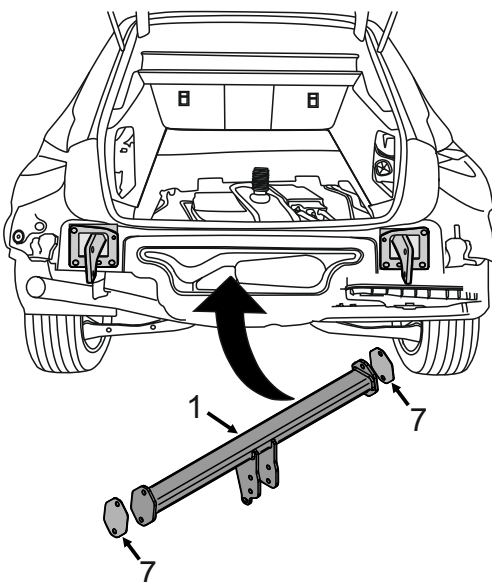
15



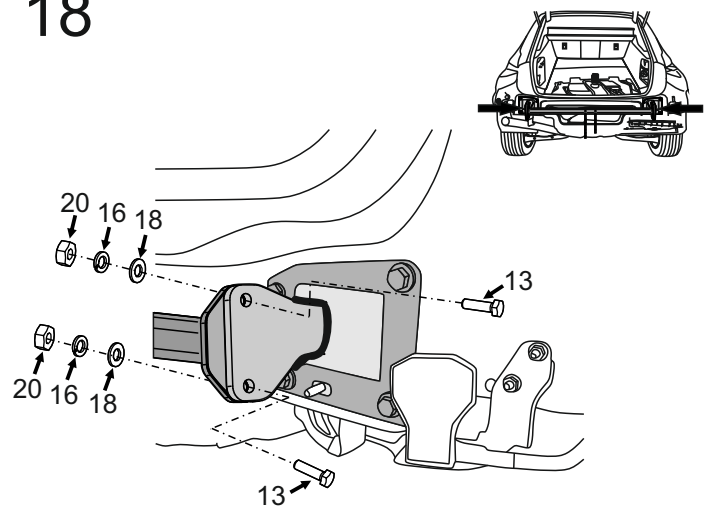
16



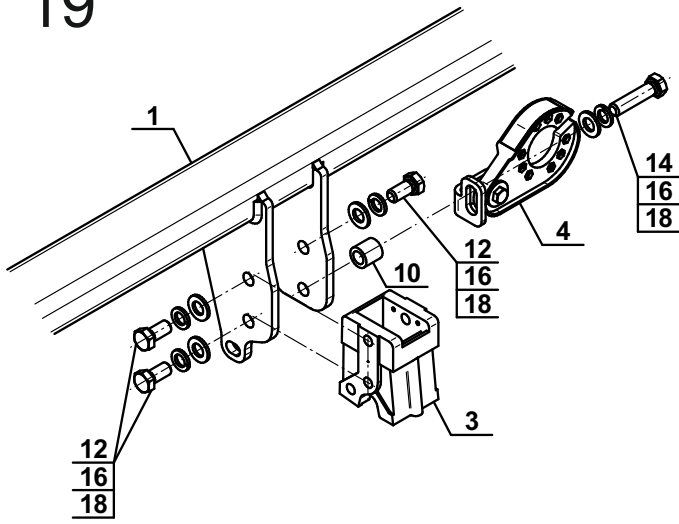
17



18



19

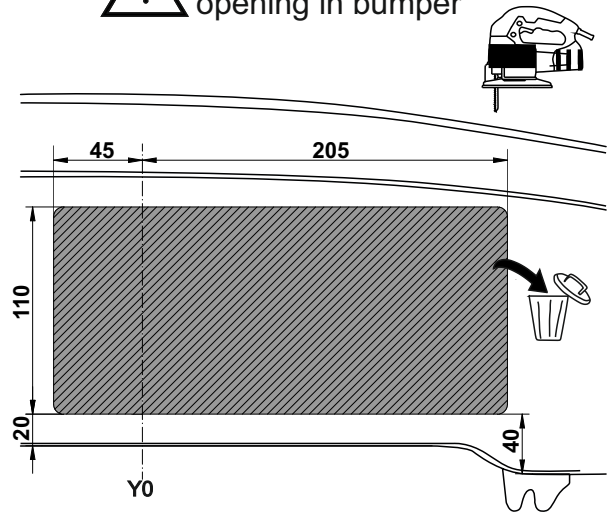


20



Vehicle without opening in bumper

(mm)

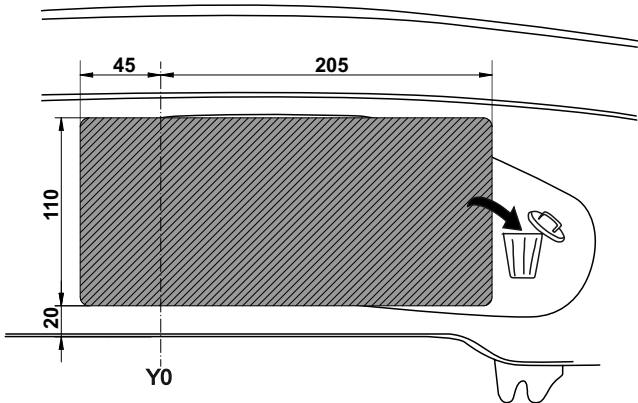


21

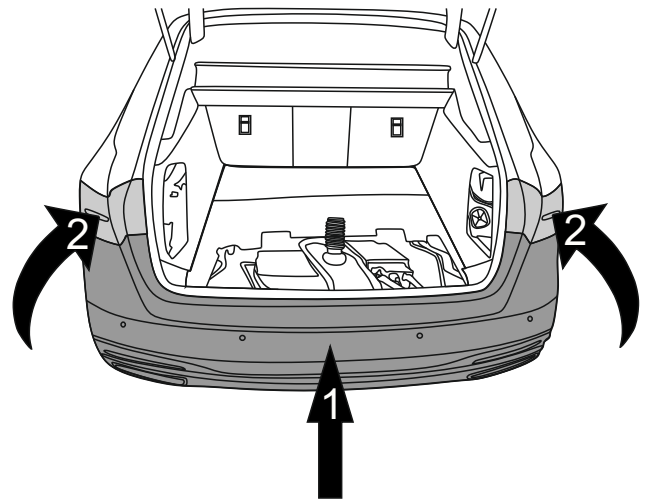


Vehicle with opening in bumper

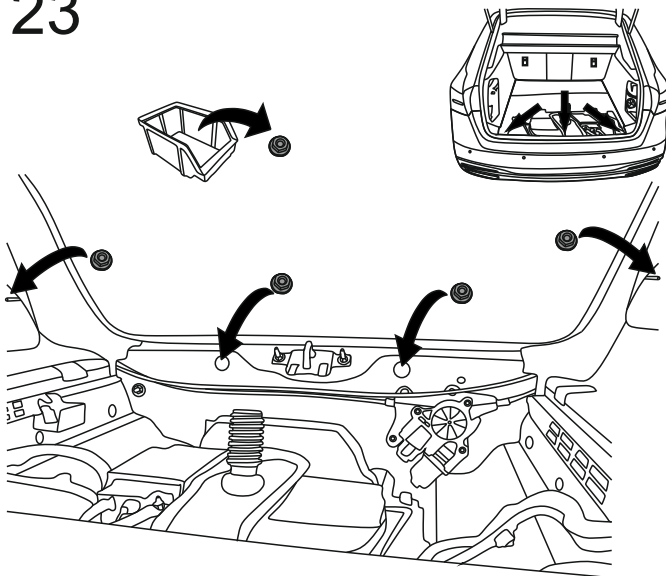
(mm)



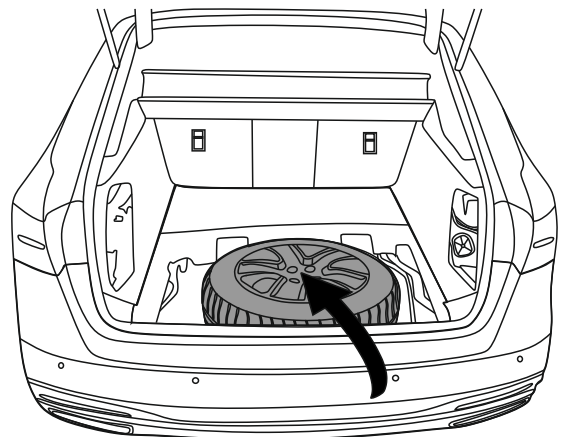
22



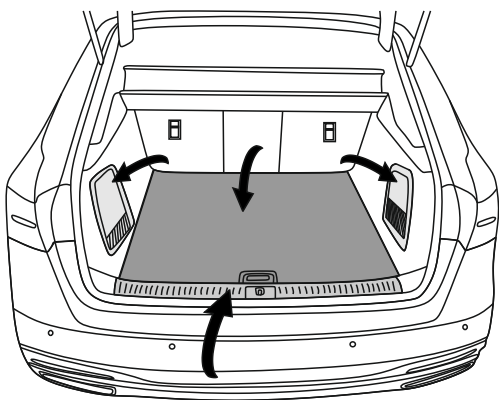
23



24



25



26

