

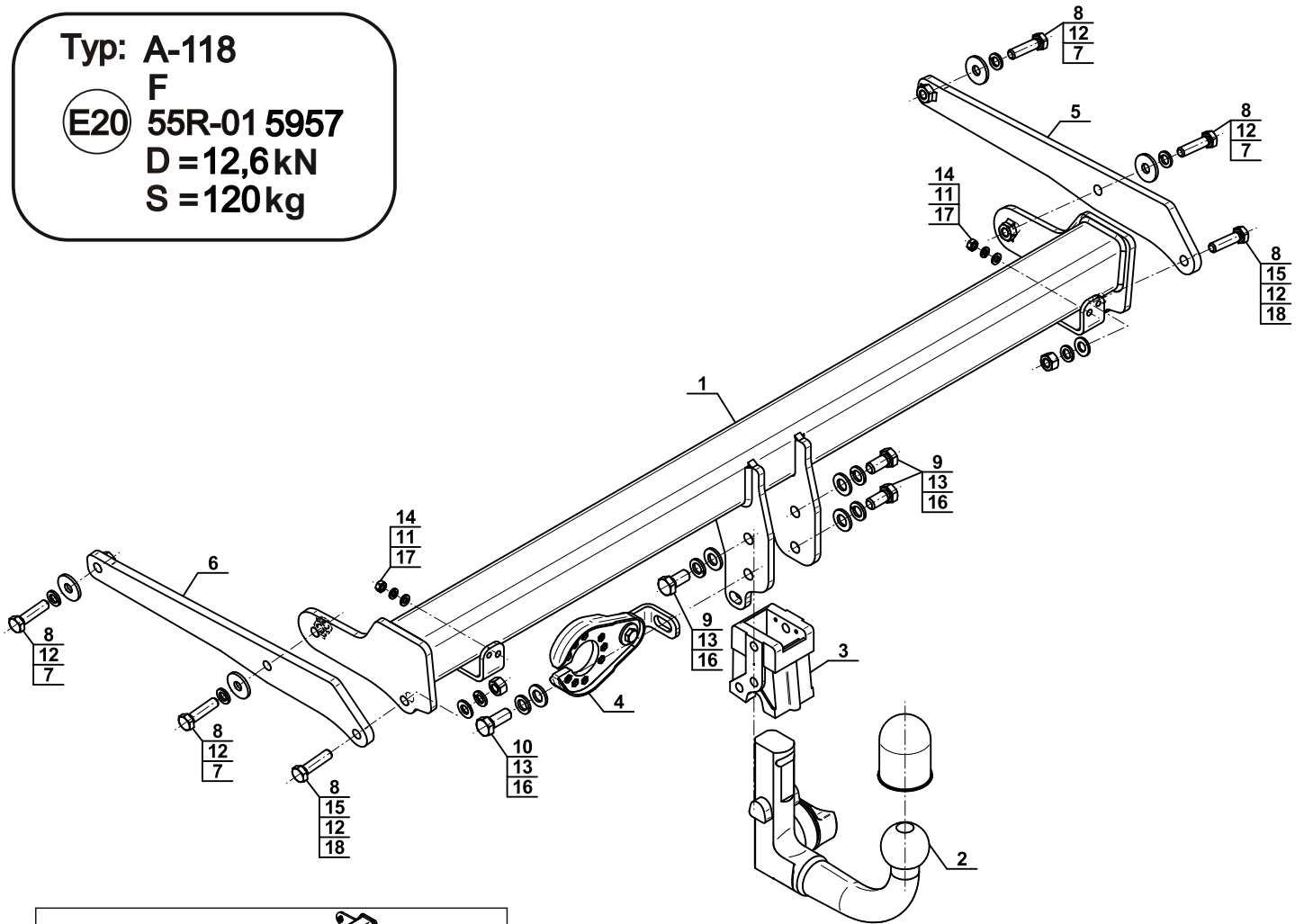
Typ: A-118

F

(E20) 55R-01 5957

D = 12,6 kN

S = 120 kg



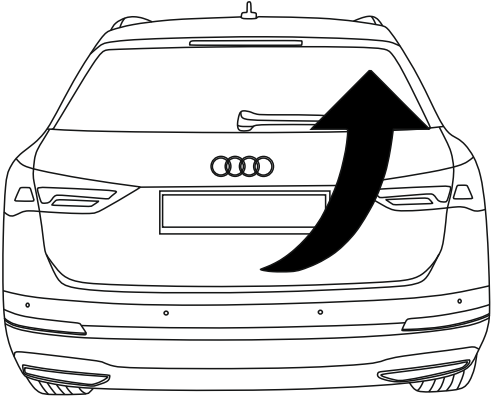
1		x1
2		x1
3		x1
4		x1
5		x1
6		x1

7		Ø30/Ø10,5x3	x4
8		M10x40 (PN/M-82105) (8.8)	x6
9		M12x25 (PN/M-82105) (8.8)	x3
10		M12x30 (PN/M-82105) (8.8)	x1
11		Ø6,2	x2
12		Ø10,2	x6
13		Ø12,2	x4
14		Ø6,4	x2
15		Ø10,5	x2
16		Ø13,0	x4
17		M6 (8)	x2
18		M10 (8)	x2

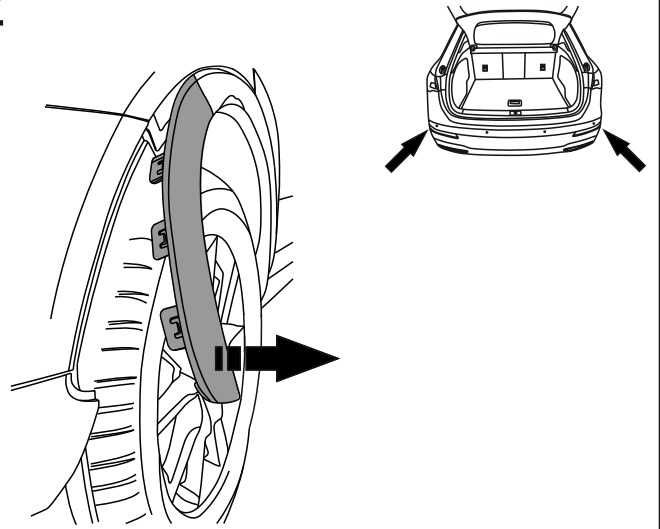


8.8	
M6 - 10 (Nm)	M12 - 85 (Nm)
M8 - 25 (Nm)	M14 - 135 (Nm)
M10 - 50 (Nm)	M16 - 200 (Nm)

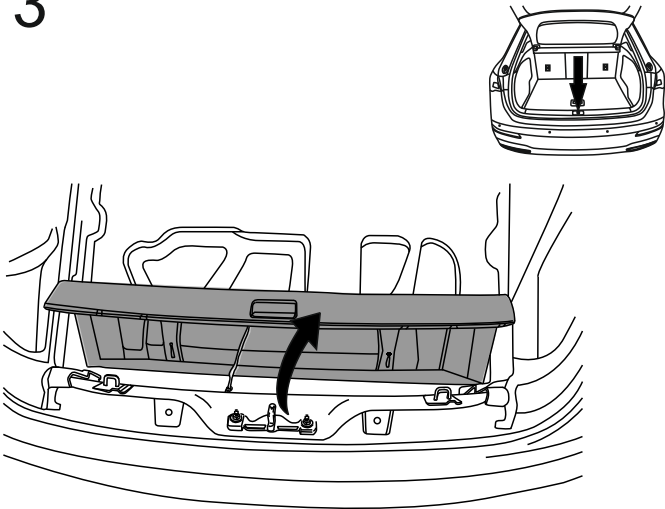
1



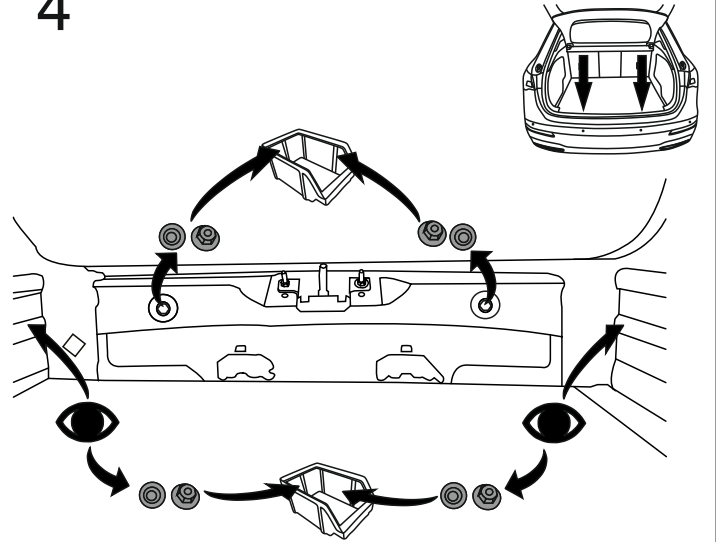
2



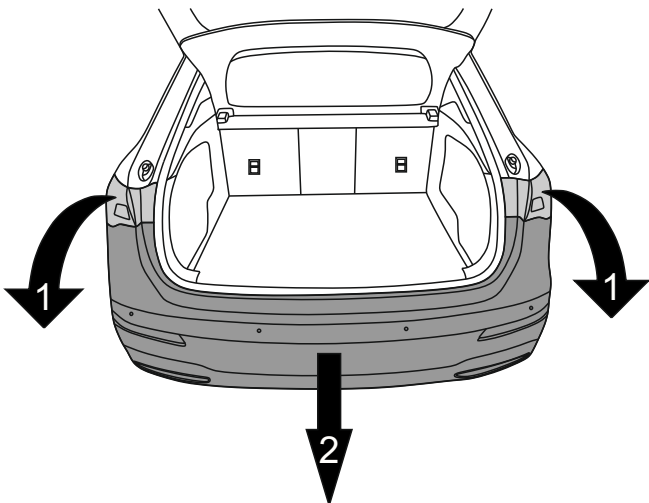
3



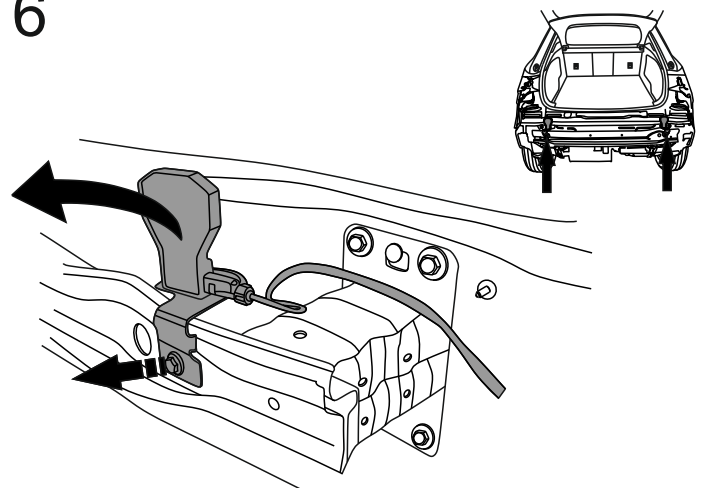
4



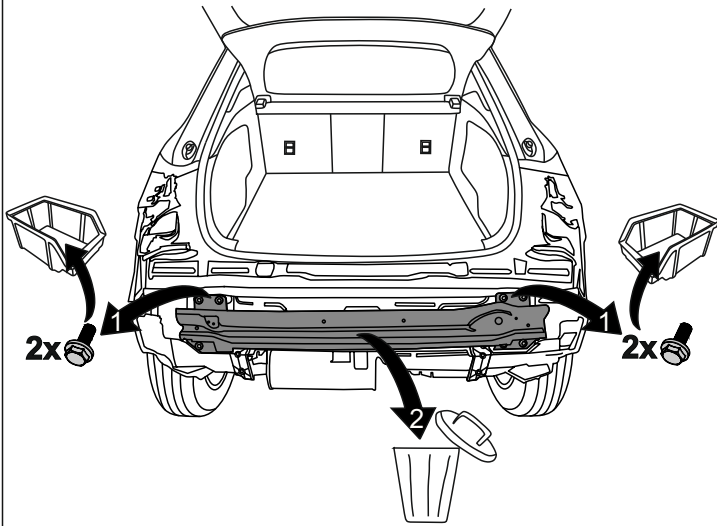
5



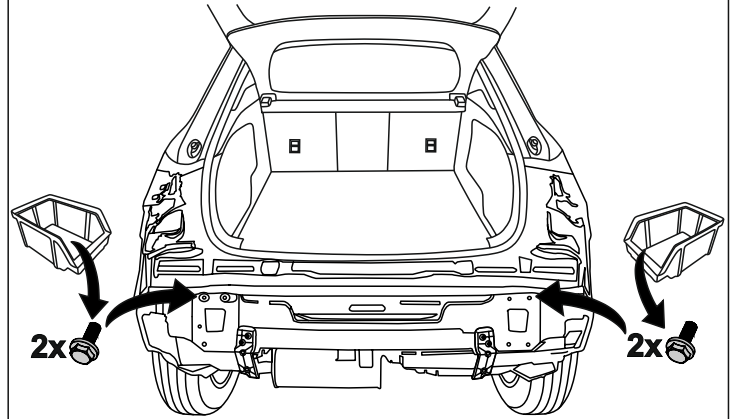
6



7

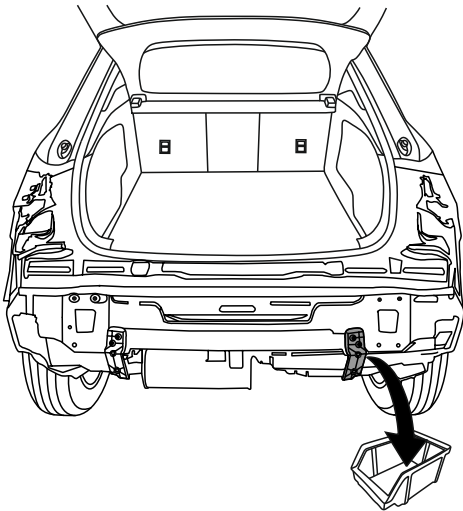


8



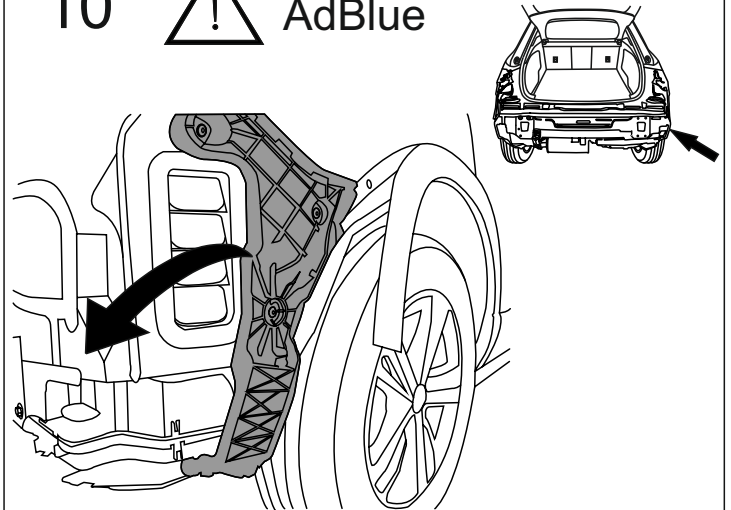
9

! AdBlue



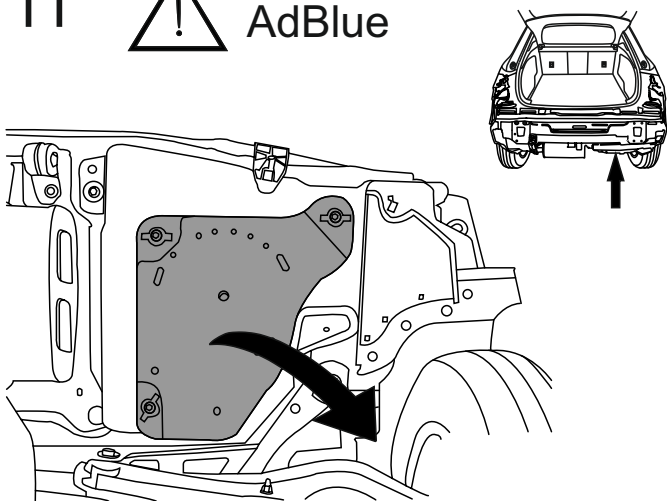
10

! AdBlue



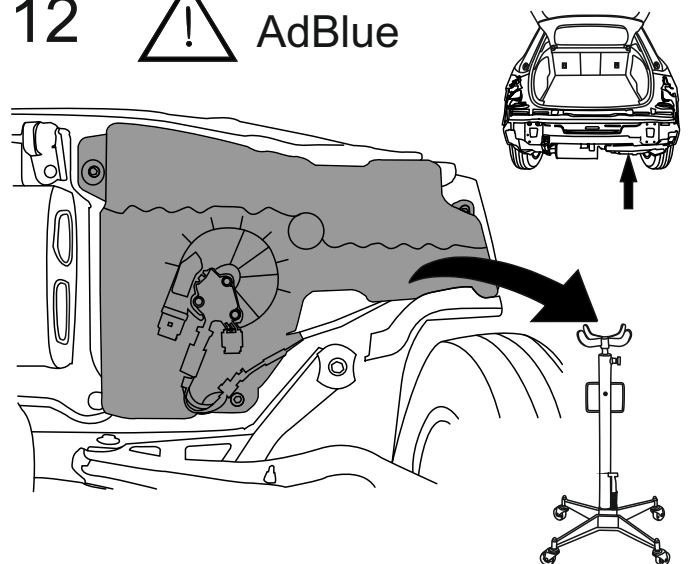
11

! AdBlue

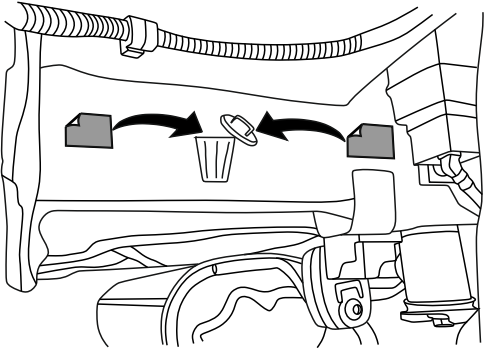
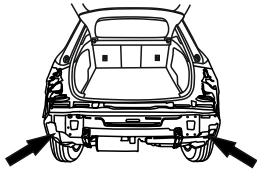


12

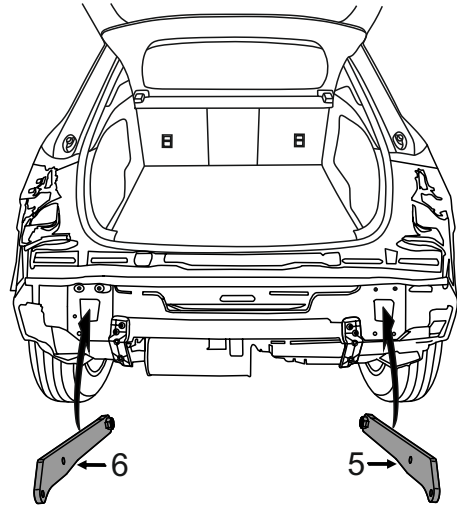
! AdBlue



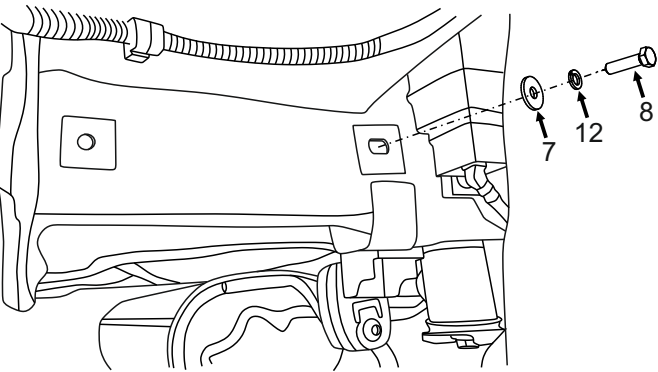
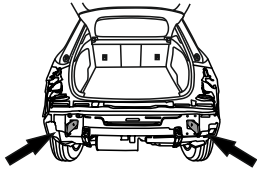
13



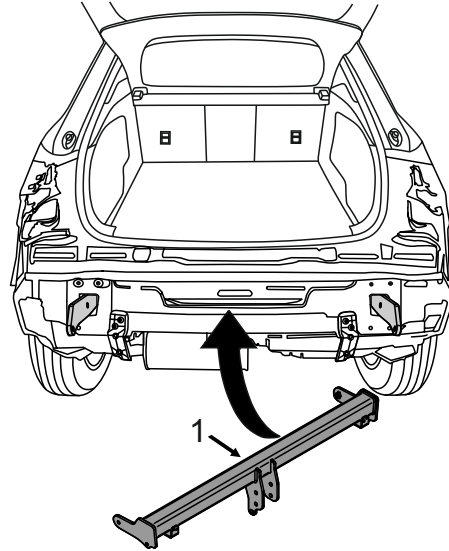
14



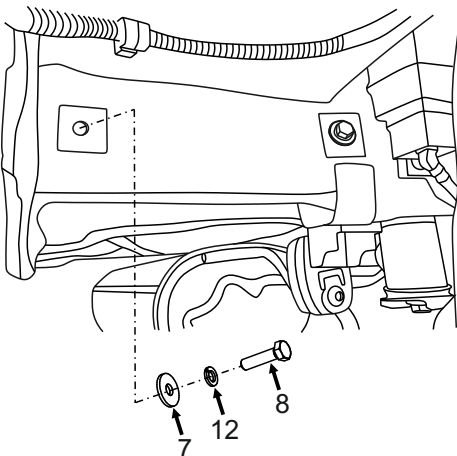
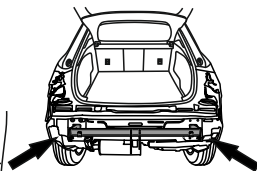
15



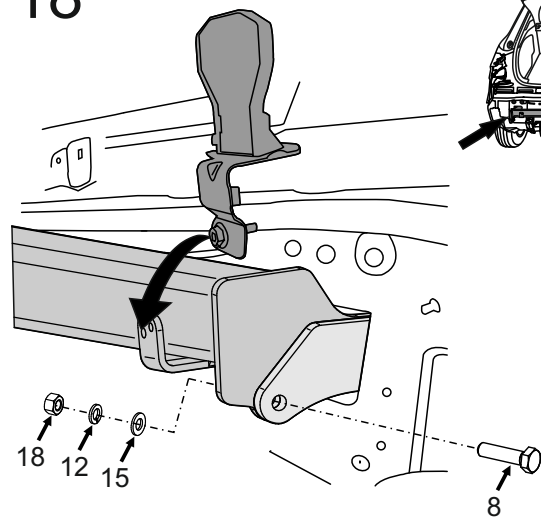
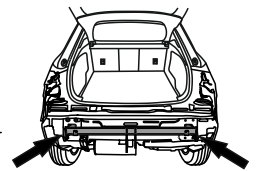
16



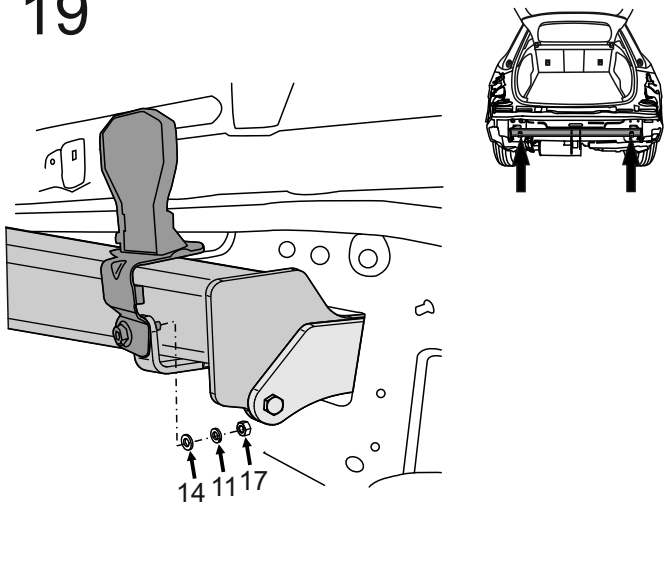
17



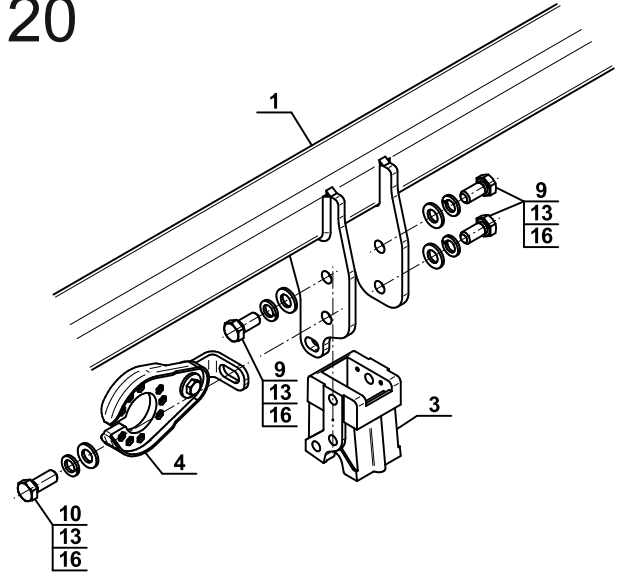
18



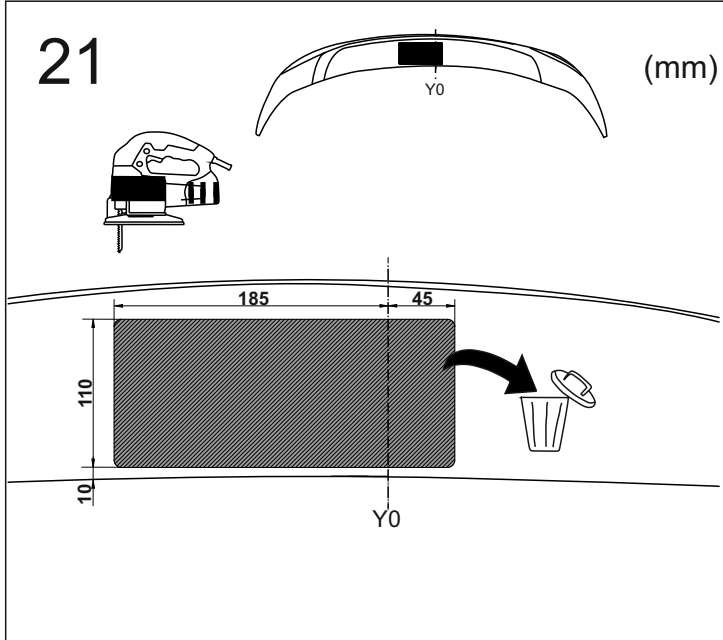
19



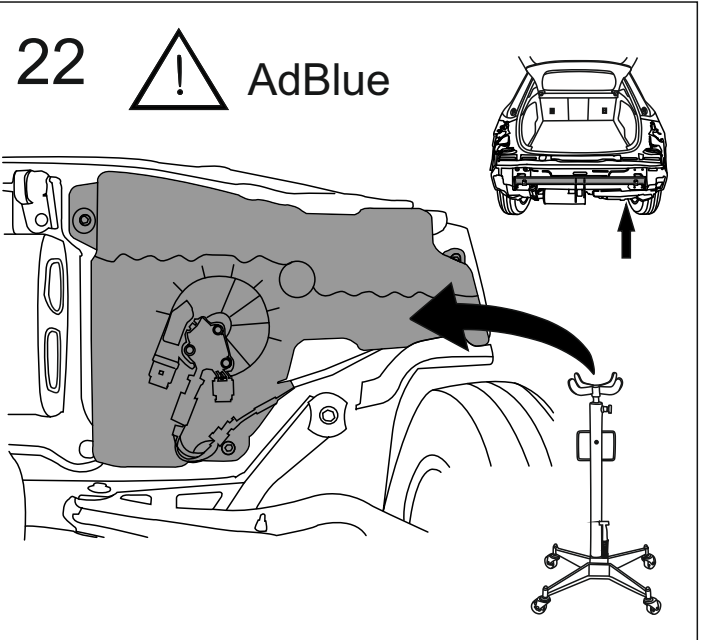
20



21

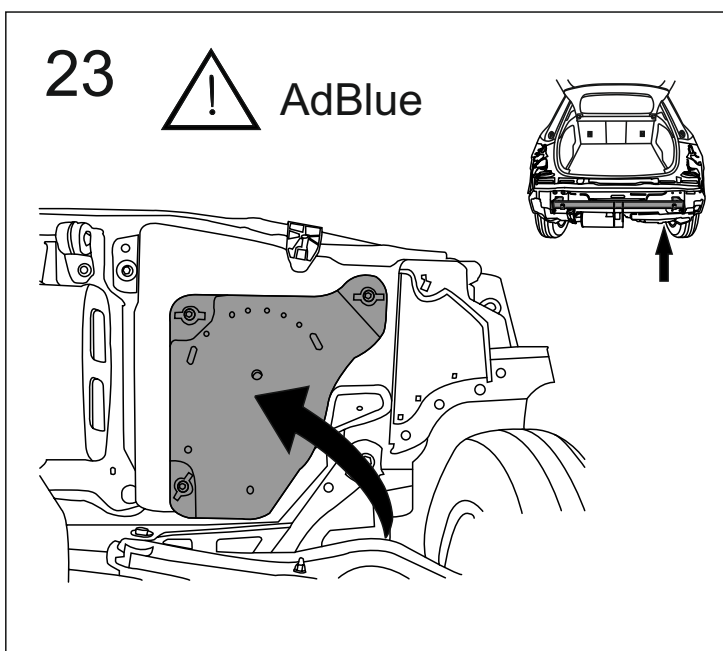


22



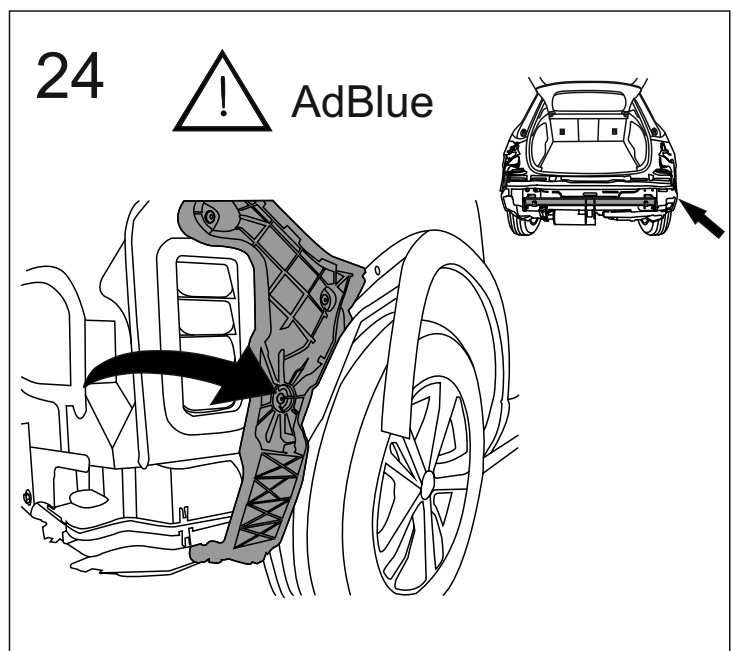
23

⚠ AdBlue




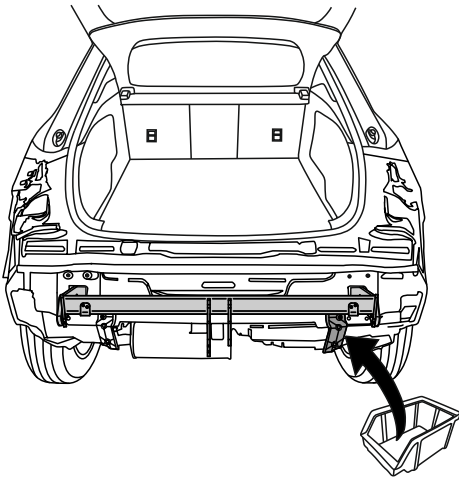
24

⚠ AdBlue

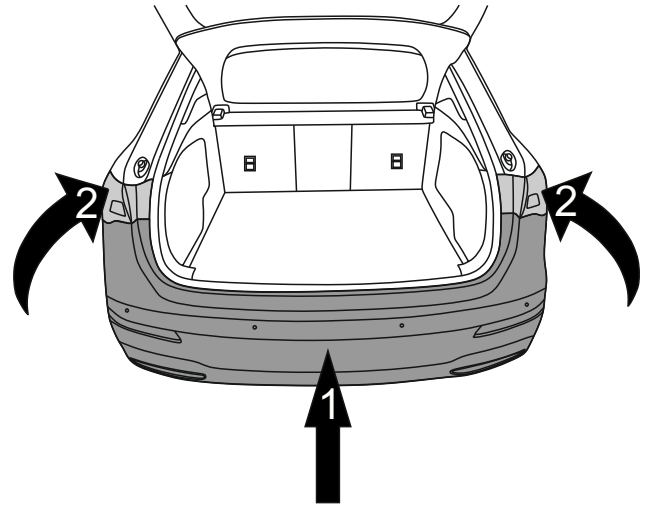


25

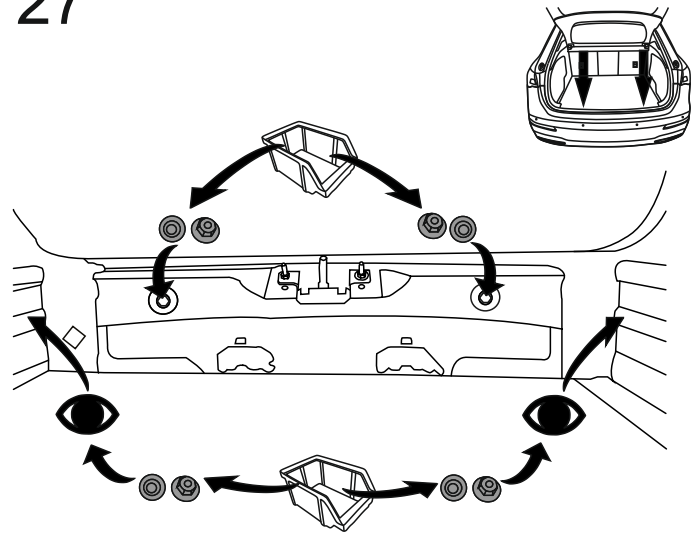
 AdBlue



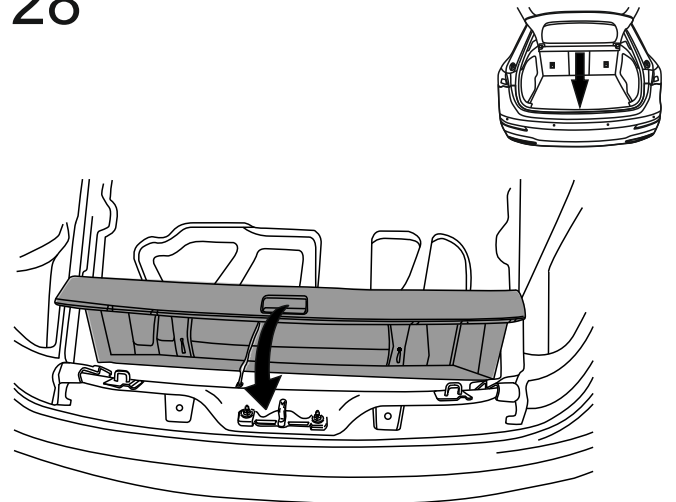
26



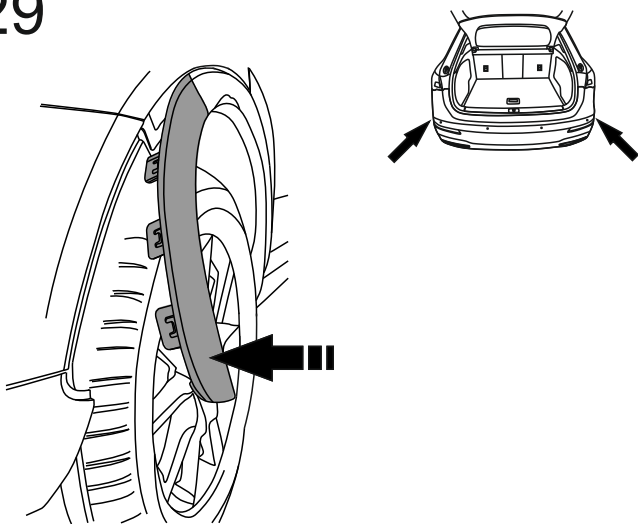
27



28



29



30

