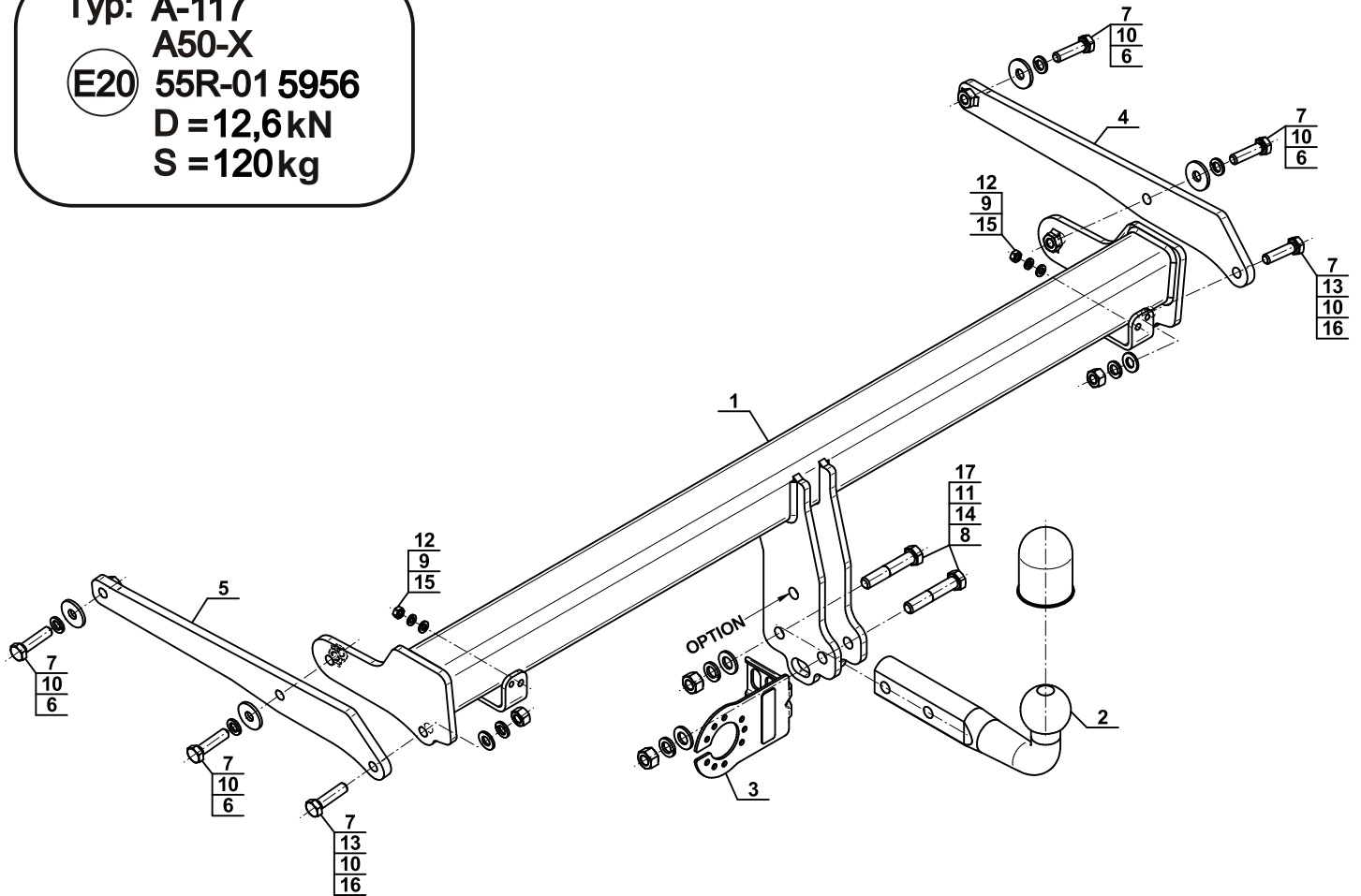


Typ: A-117
 A50-X
 E20 55R-01 5956
 D = 12,6kN
 S = 120kg



1		x1
2		x1
3		x1
4		x1
5		x1

6		Ø30/Ø10,5x3	x4
7		M10x40 (PN/M-82105) (8.8)	x6
8		M12x65 (PN/M-82101) (8.8)	x2
9		Ø6,2	x2
10		Ø10,2	x6
11		Ø12,2	x2
12		Ø6,4	x2
13		Ø10,5	x2
14		Ø13,0	x2
15		M6 (8)	x2
16		M10 (8)	x2
17		M12 (8)	x2

OPTION

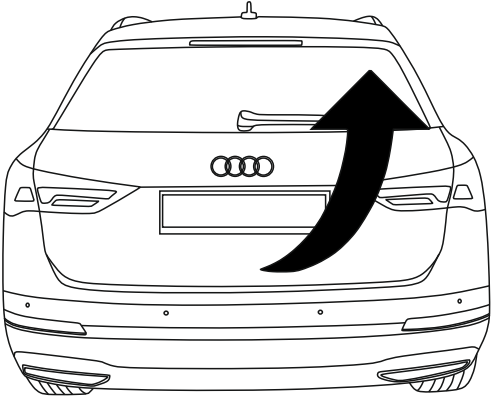
	1x		M12x35	1x		Ø12,2
	1x		Ø13,0	1x		M12

(CZ-050.00)

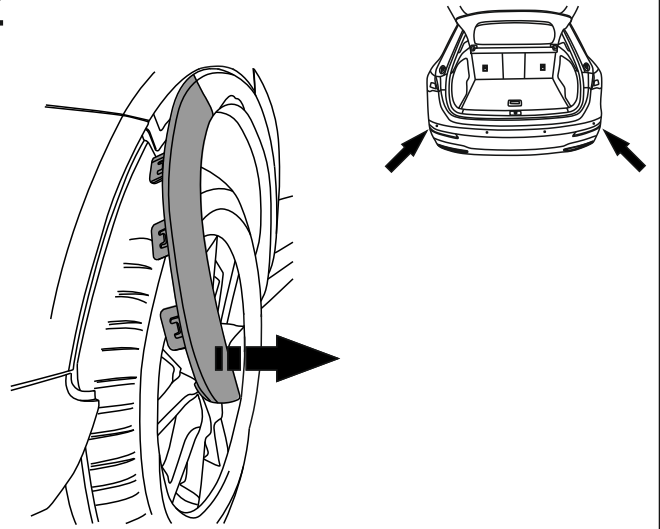


8.8	
M6 - 10 (Nm)	M12 - 85 (Nm)
M8 - 25 (Nm)	M14 - 135 (Nm)
M10 - 50 (Nm)	M16 - 200 (Nm)

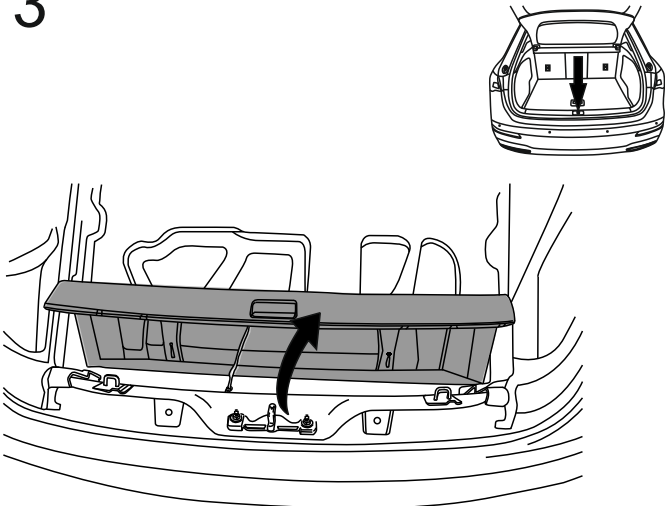
1



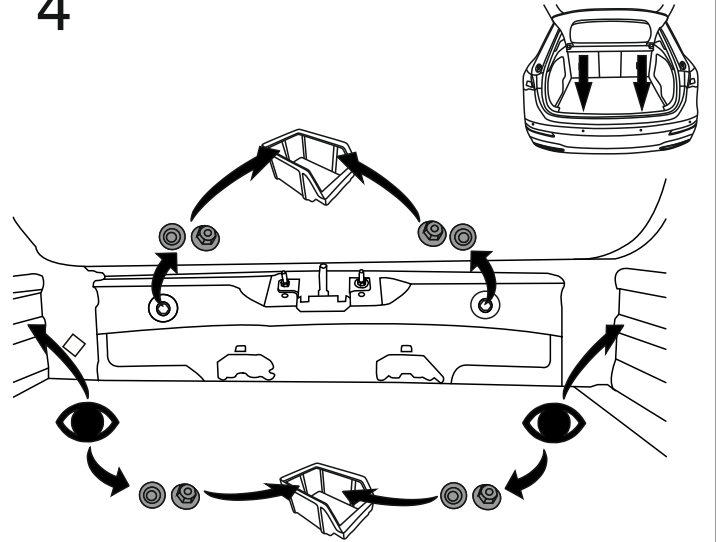
2



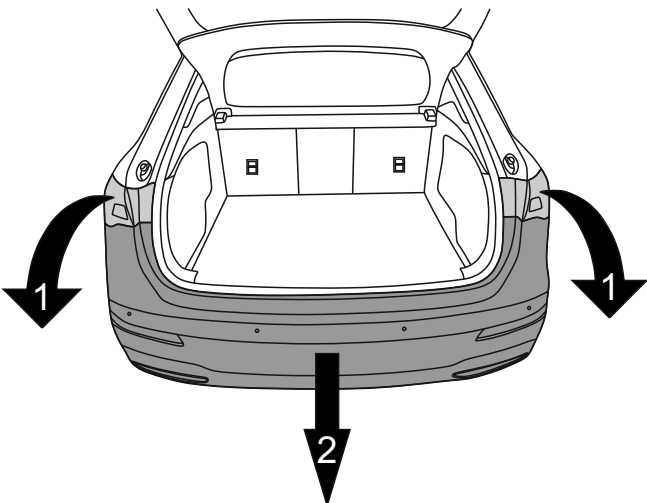
3



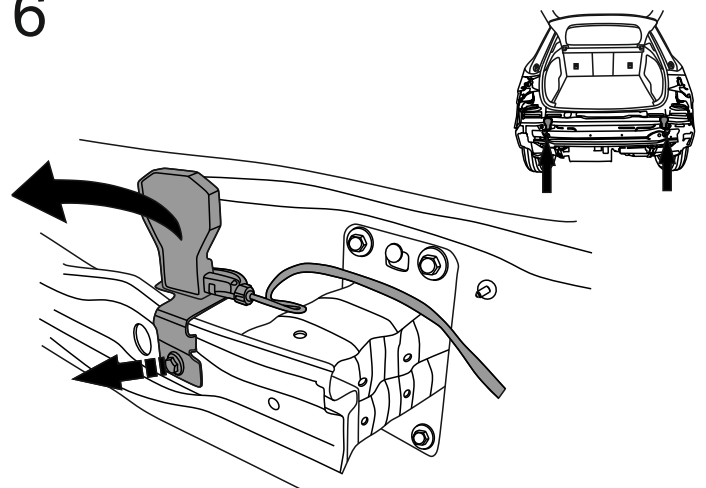
4



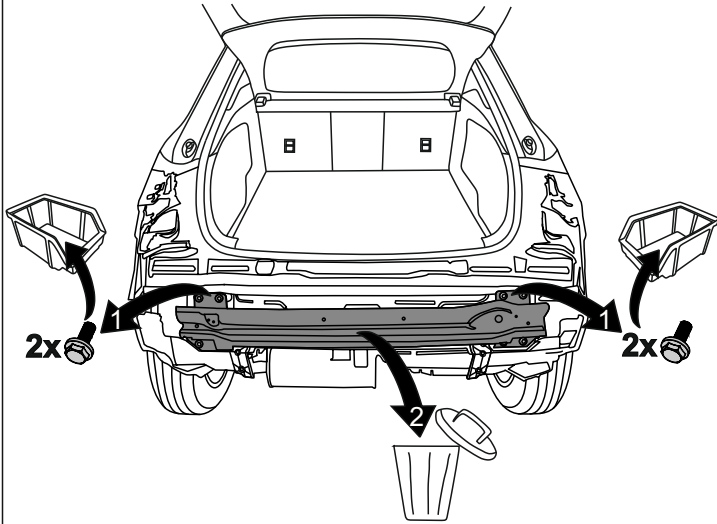
5



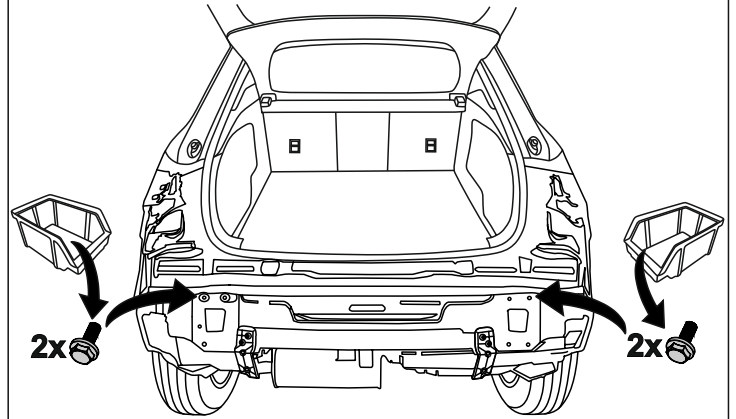
6



7

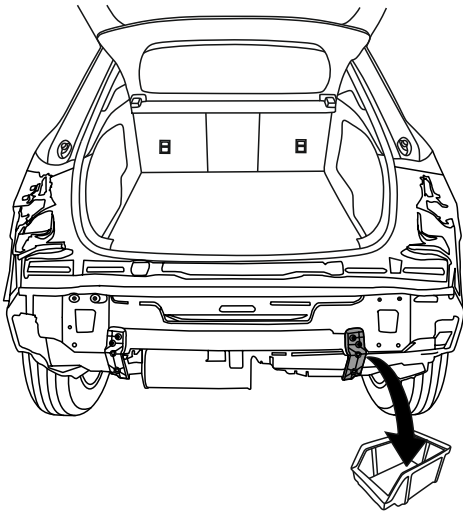


8



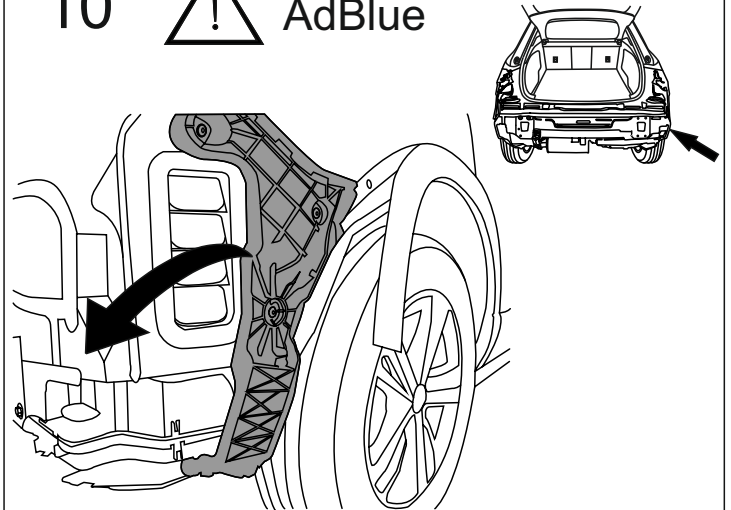
9

! AdBlue



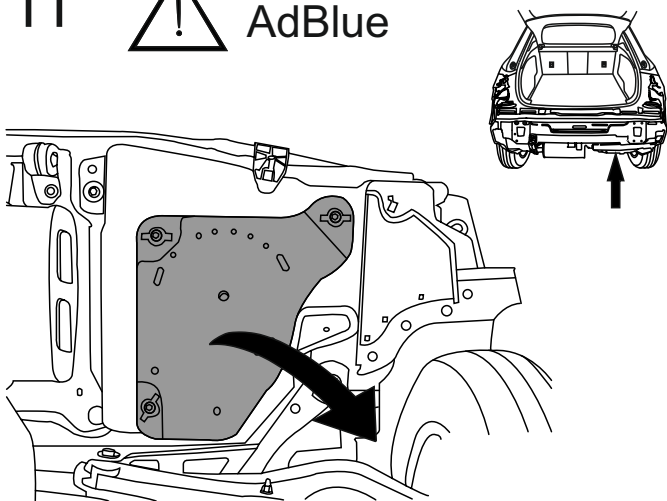
10

! AdBlue



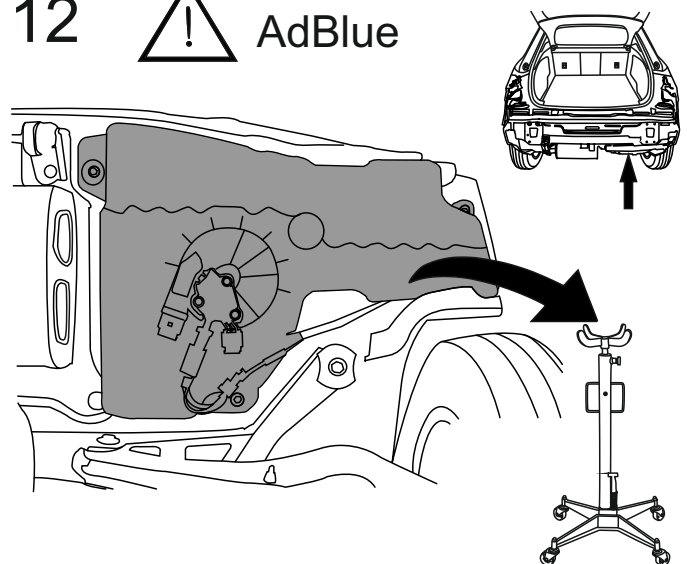
11

! AdBlue

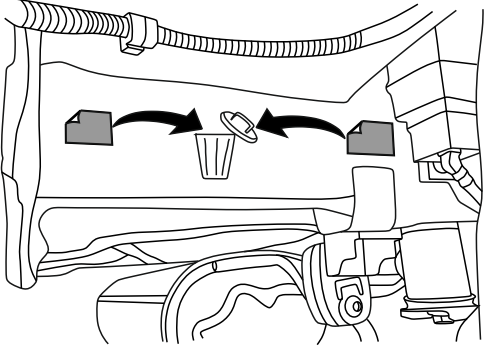
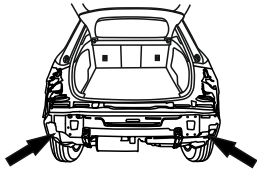


12

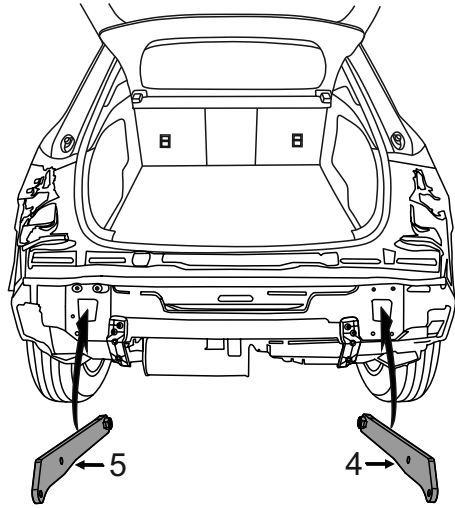
! AdBlue



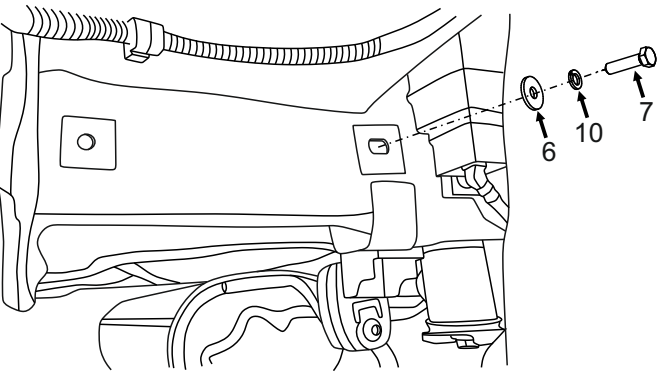
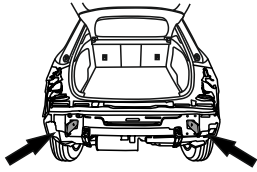
13



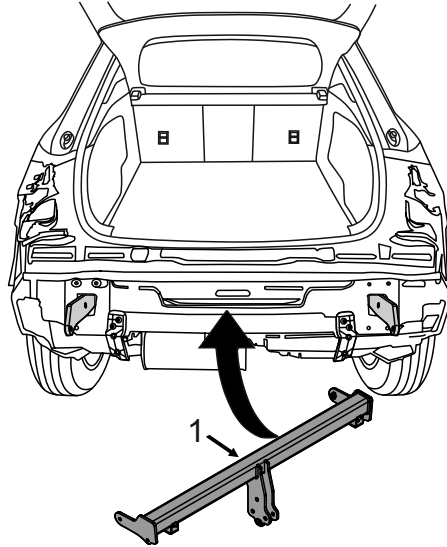
14



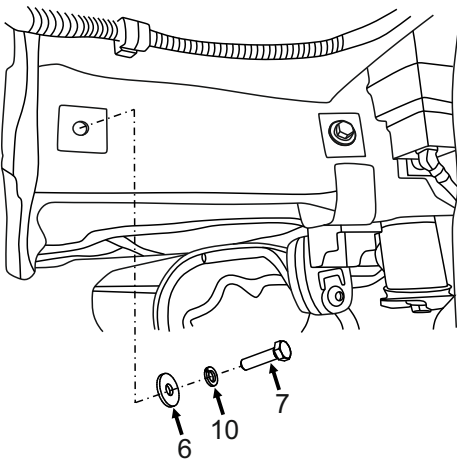
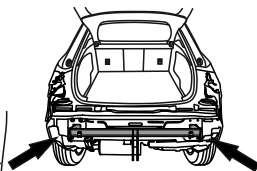
15



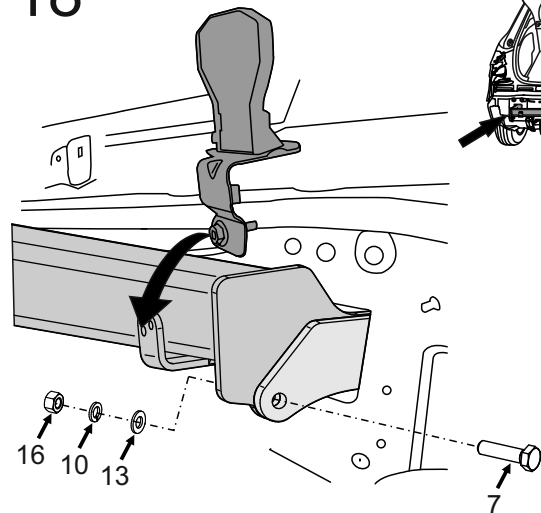
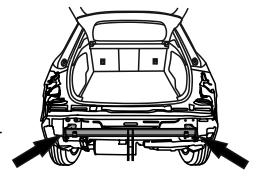
16



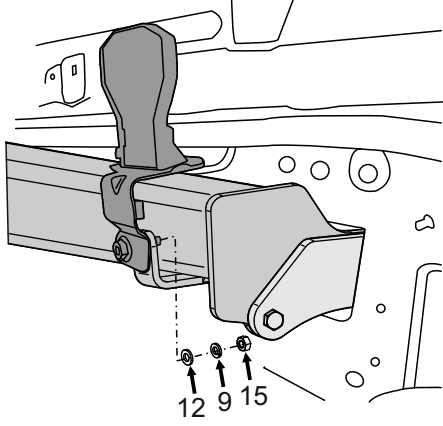
17



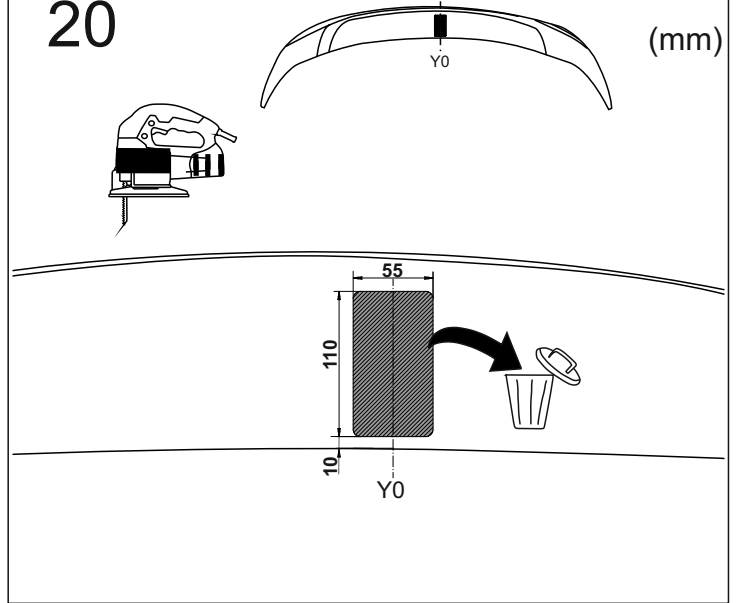
18



19

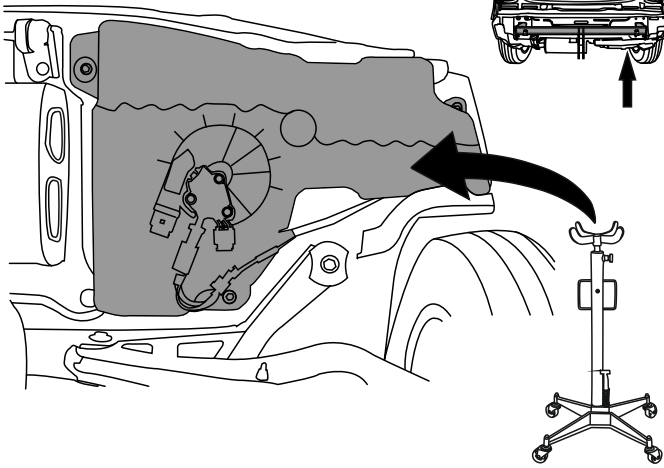


20



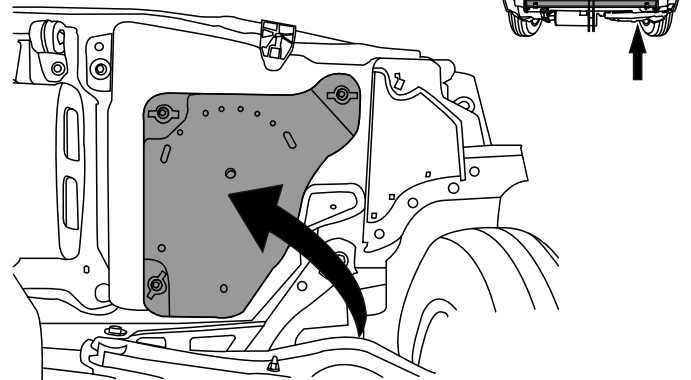
21

⚠ AdBlue



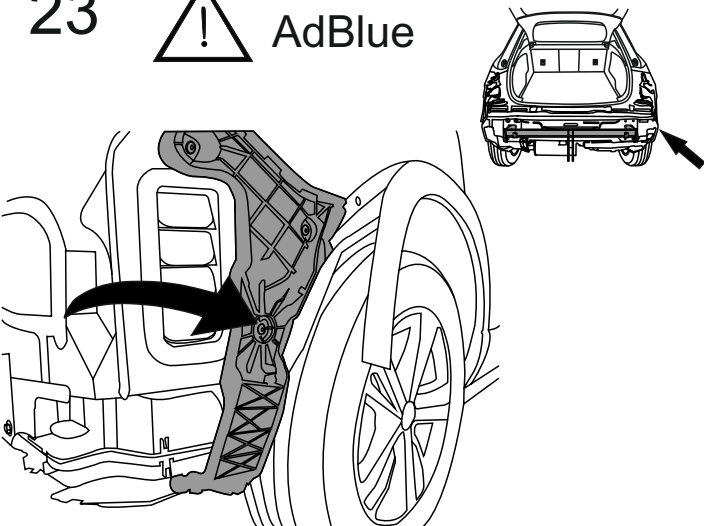
22

⚠ AdBlue



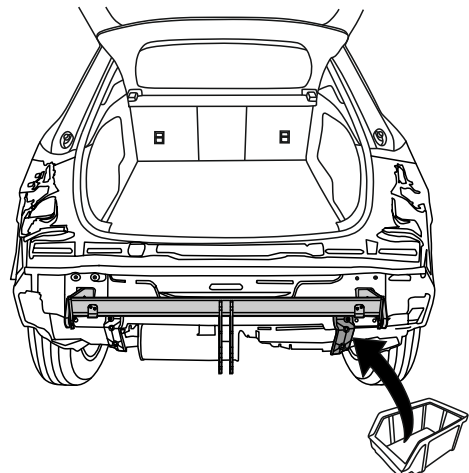
23

⚠ AdBlue

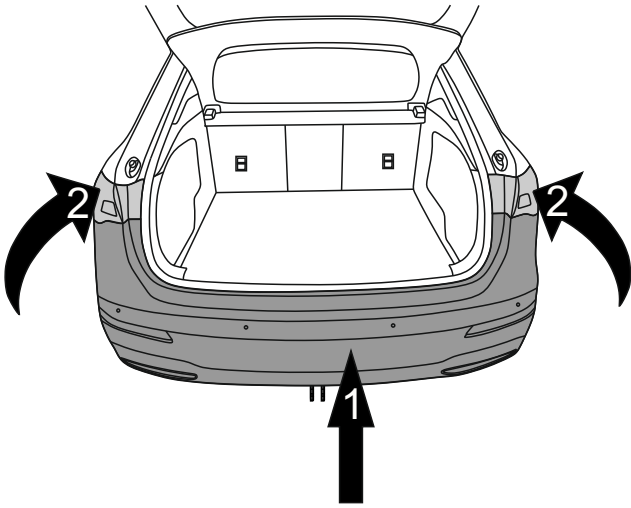


24

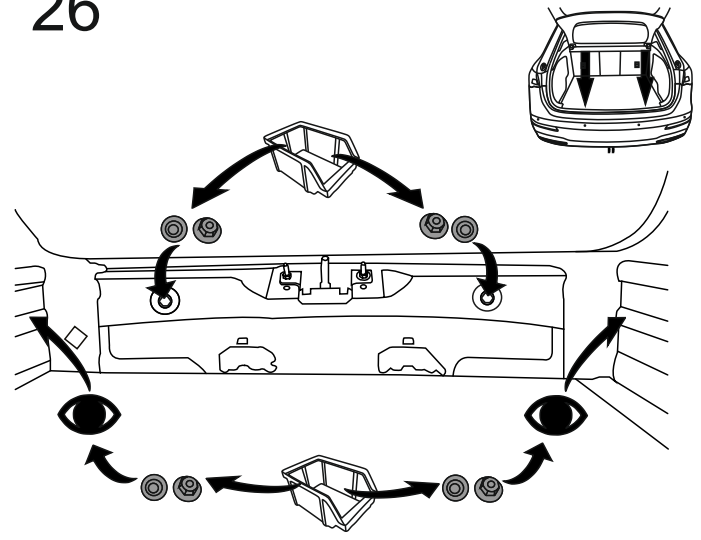
⚠ AdBlue



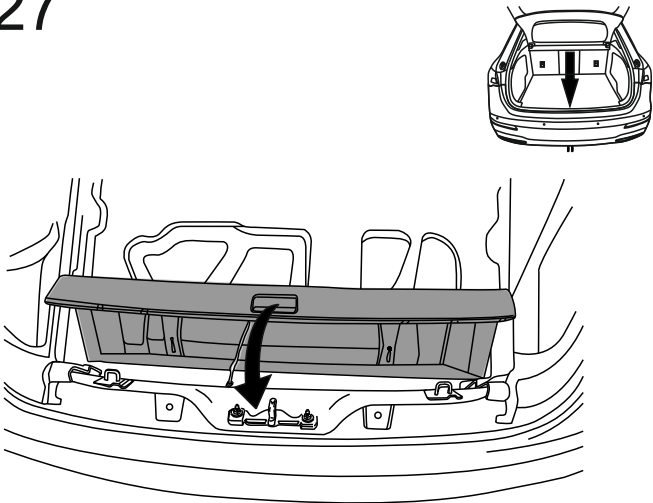
25



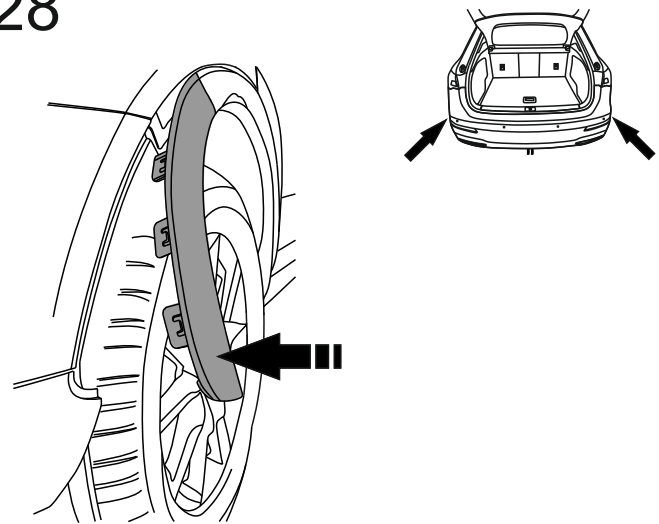
26



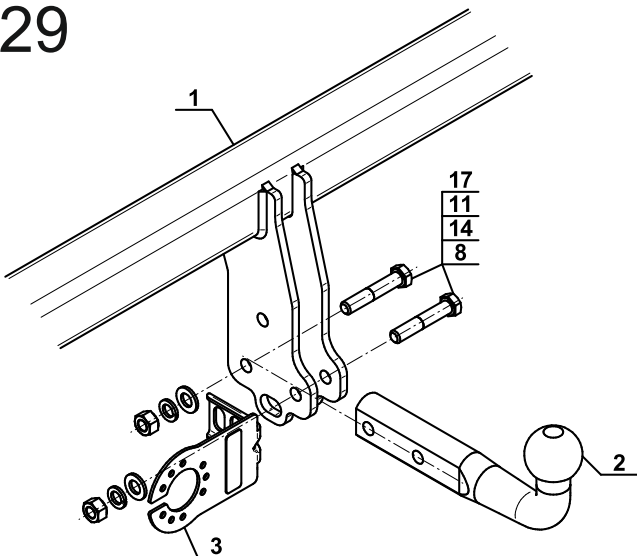
27



28



29



OPTION

