

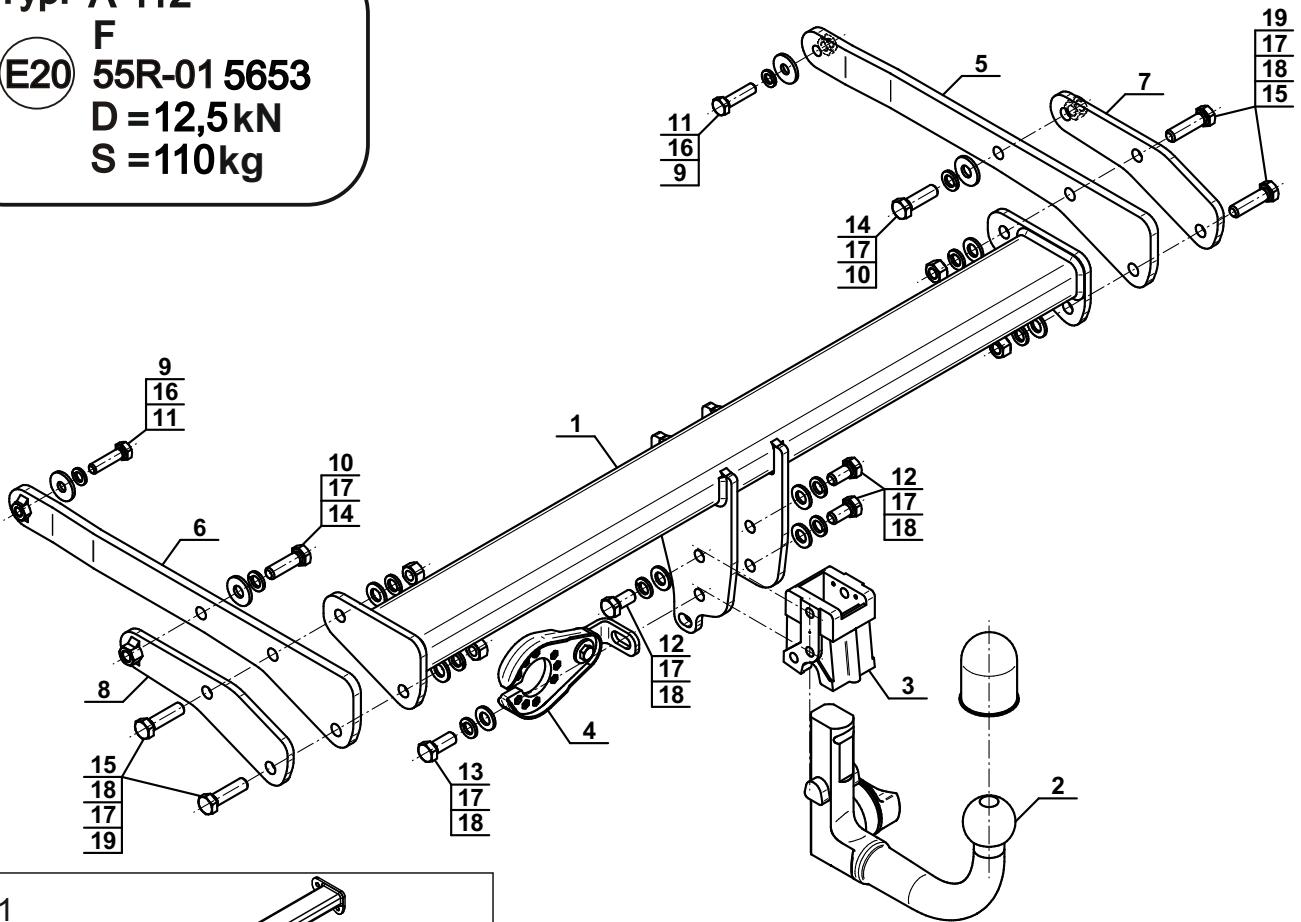
Typ: A-112

F

E20 55R-01 5653

D = 12,5kN

S = 110kg



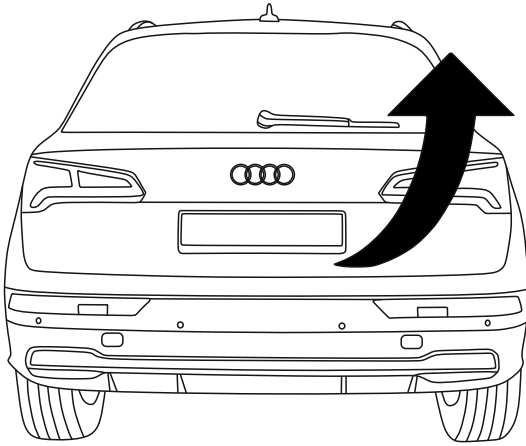
| | | |
|---|------------------------------|----|
| 1 | | x1 |
| 2 | (ACS-6016 / TERWA 30720) | x1 |
| 3 | | x1 |
| 4 | (CZ-050.00) | x1 |
| 5 | | x1 |
| 6 | | x1 |
| 7 | | x1 |
| 8 | | x1 |

| | | | |
|----|--|---------------------------|-----|
| 9 | | Ø30/Ø10,5x3 | x2 |
| 10 | | Ø30/Ø12,5x3 | x2 |
| 11 | | M10x40 (PN/M-82105) (8.8) | x2 |
| 12 | | M12x25 (PN/M-82105) (8.8) | x3 |
| 13 | | M12x30 (PN/M-82105) (8.8) | x1 |
| 14 | | M12x40 (PN/M-82105) (8.8) | x2 |
| 15 | | M12x45 (PN/M-82105) (8.8) | x4 |
| 16 | | Ø10,2 | x2 |
| 17 | | Ø12,2 | x10 |
| 18 | | Ø13,0 | x8 |
| 19 | | M12 (8) | x4 |

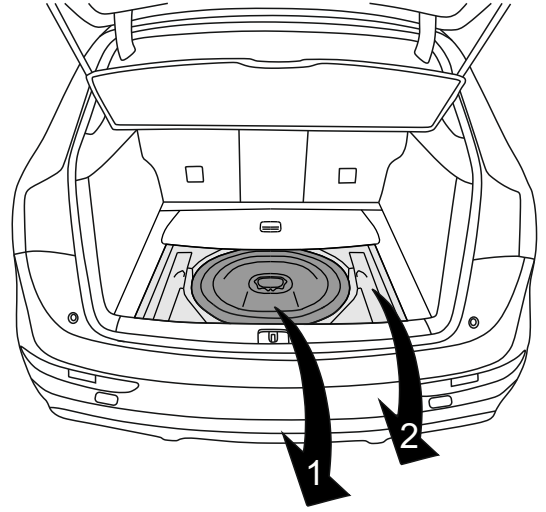


| 8.8 | |
|---------------|----------------|
| M8 - 25 (Nm) | M14 - 135 (Nm) |
| M10 - 50 (Nm) | M16 - 200 (Nm) |
| M12 - 85 (Nm) | |

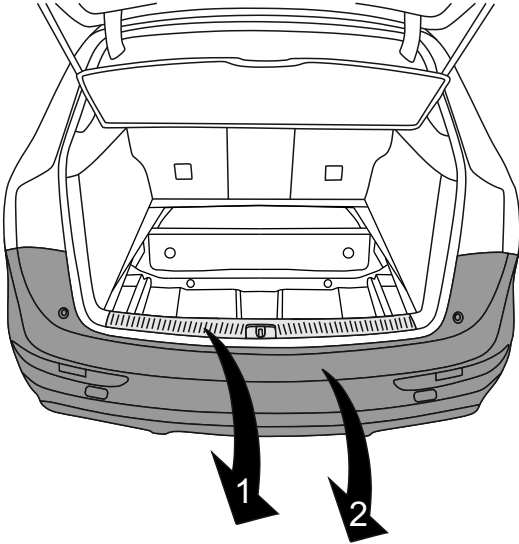
1



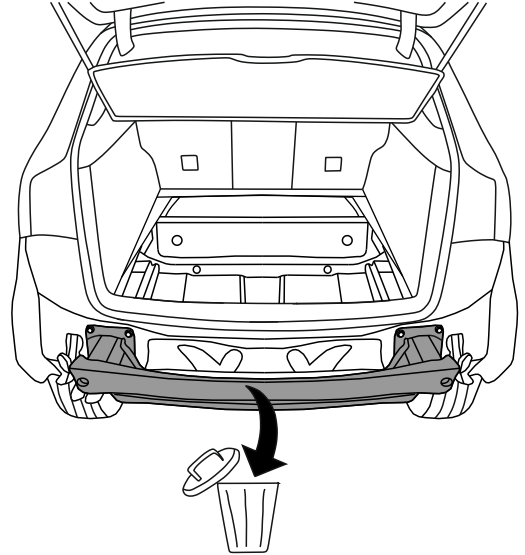
2



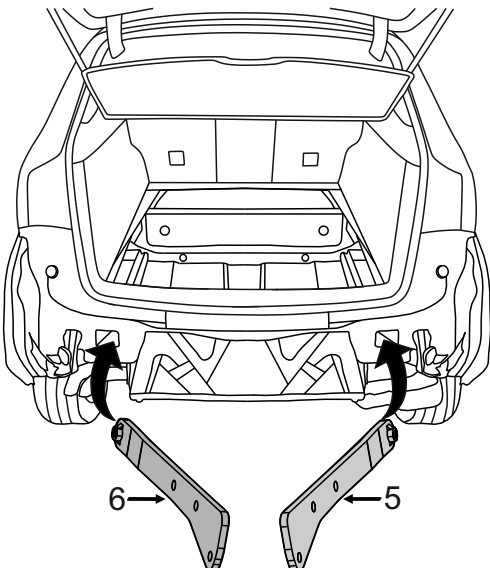
3



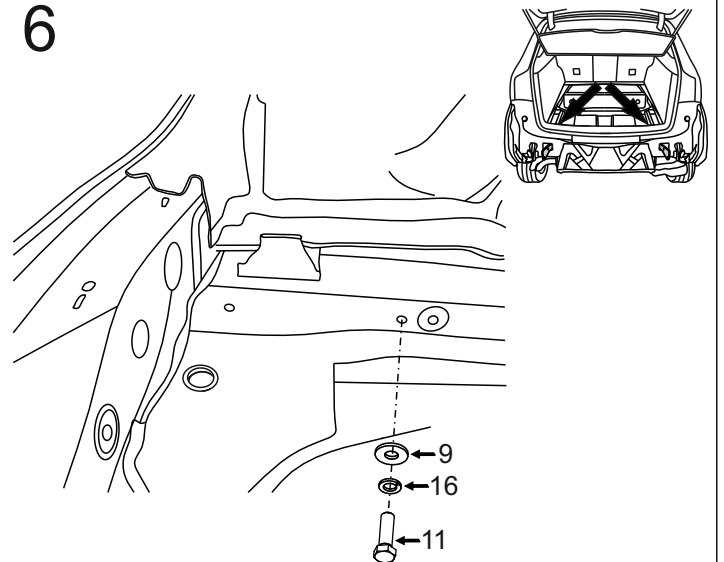
4

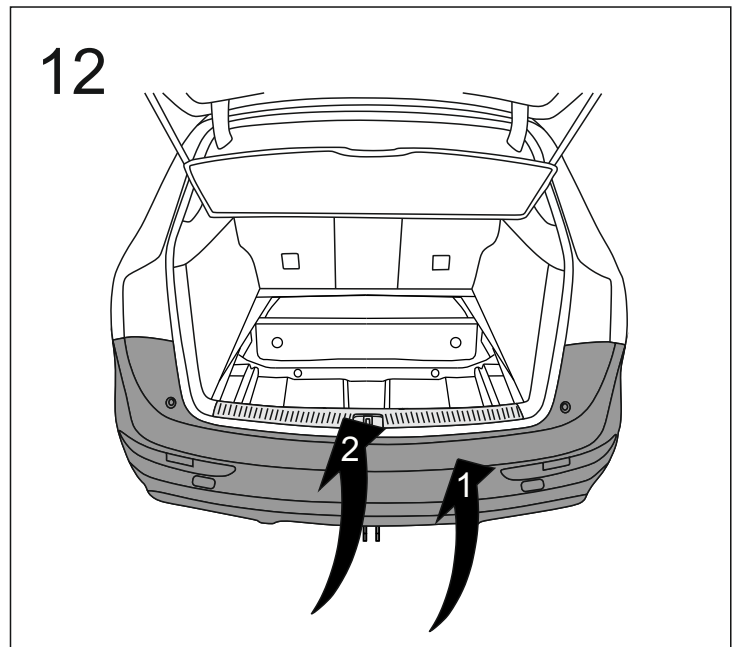
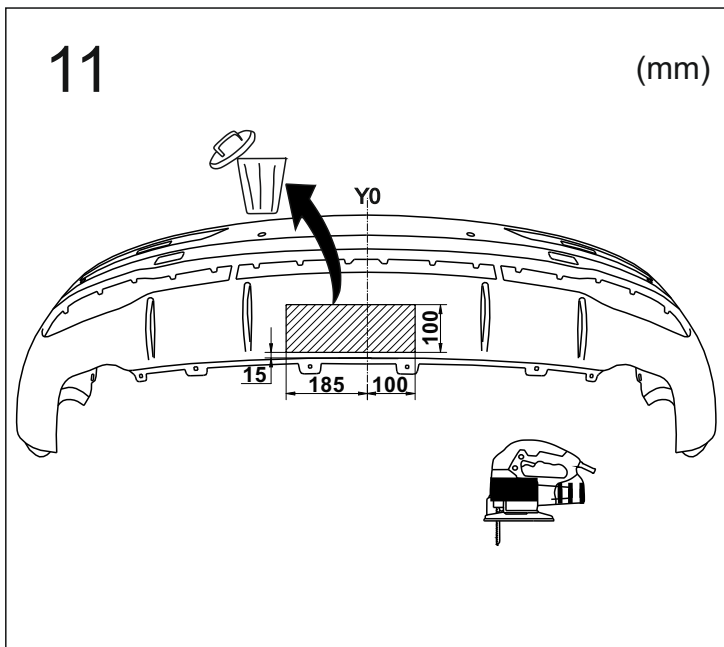
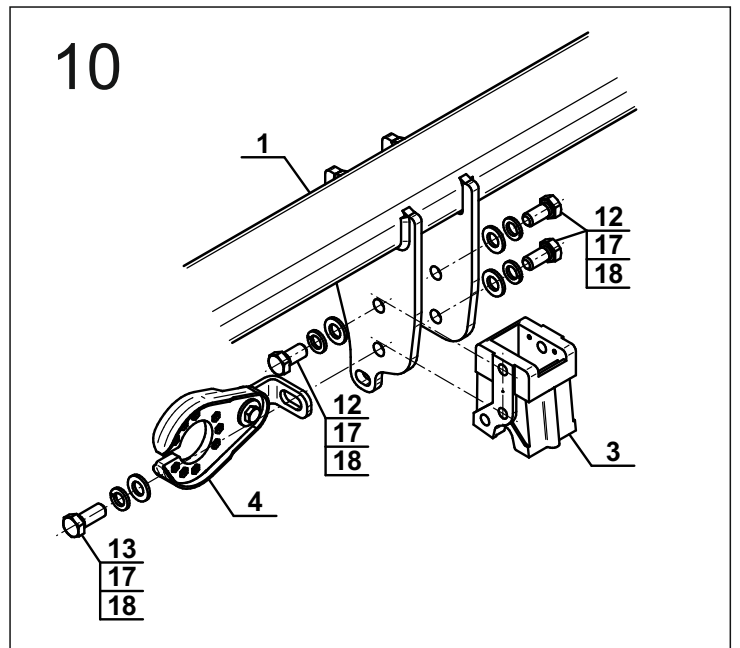
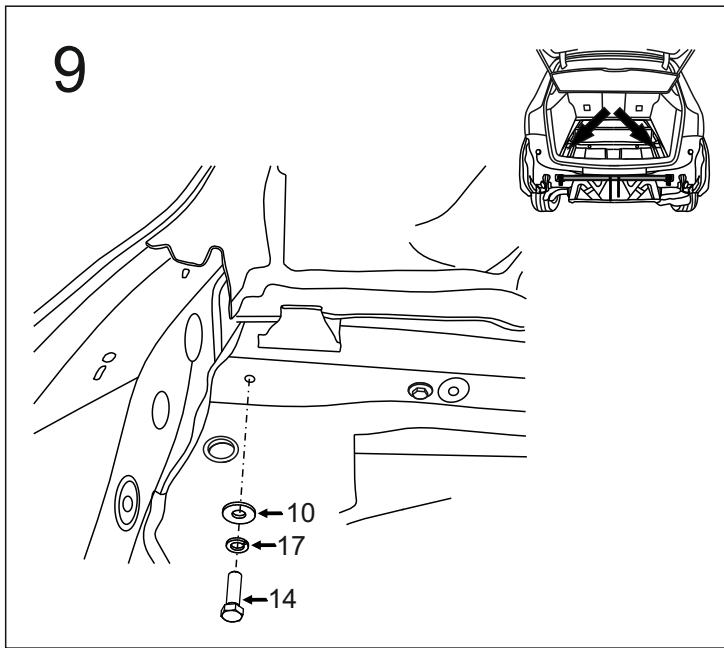
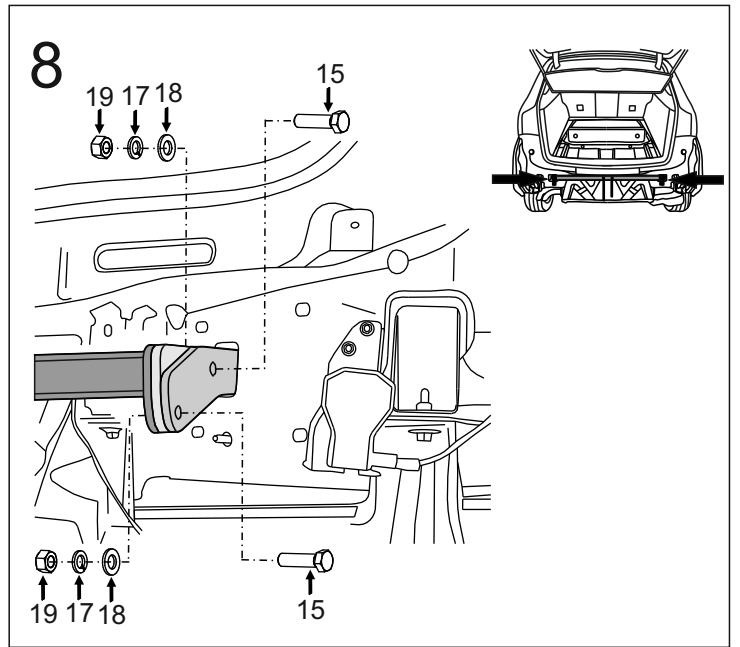
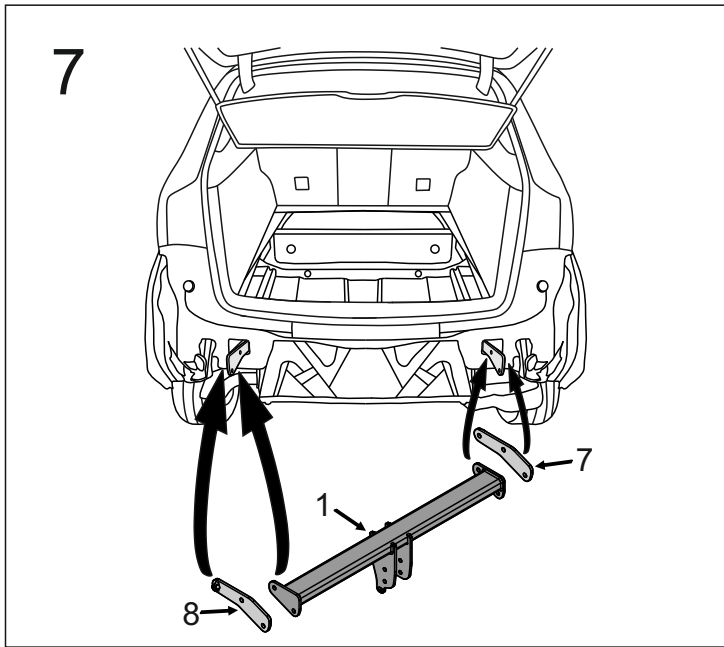


5

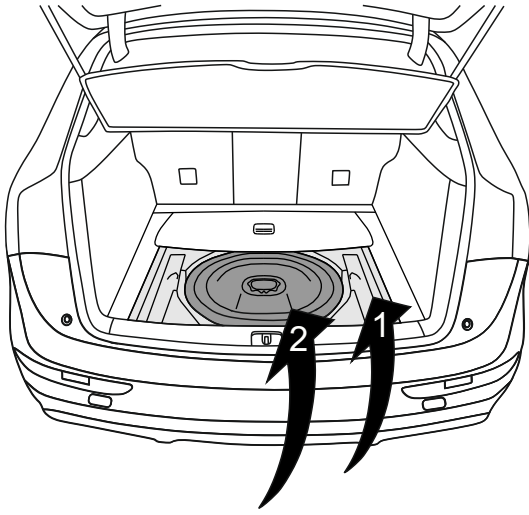


6





13



14

