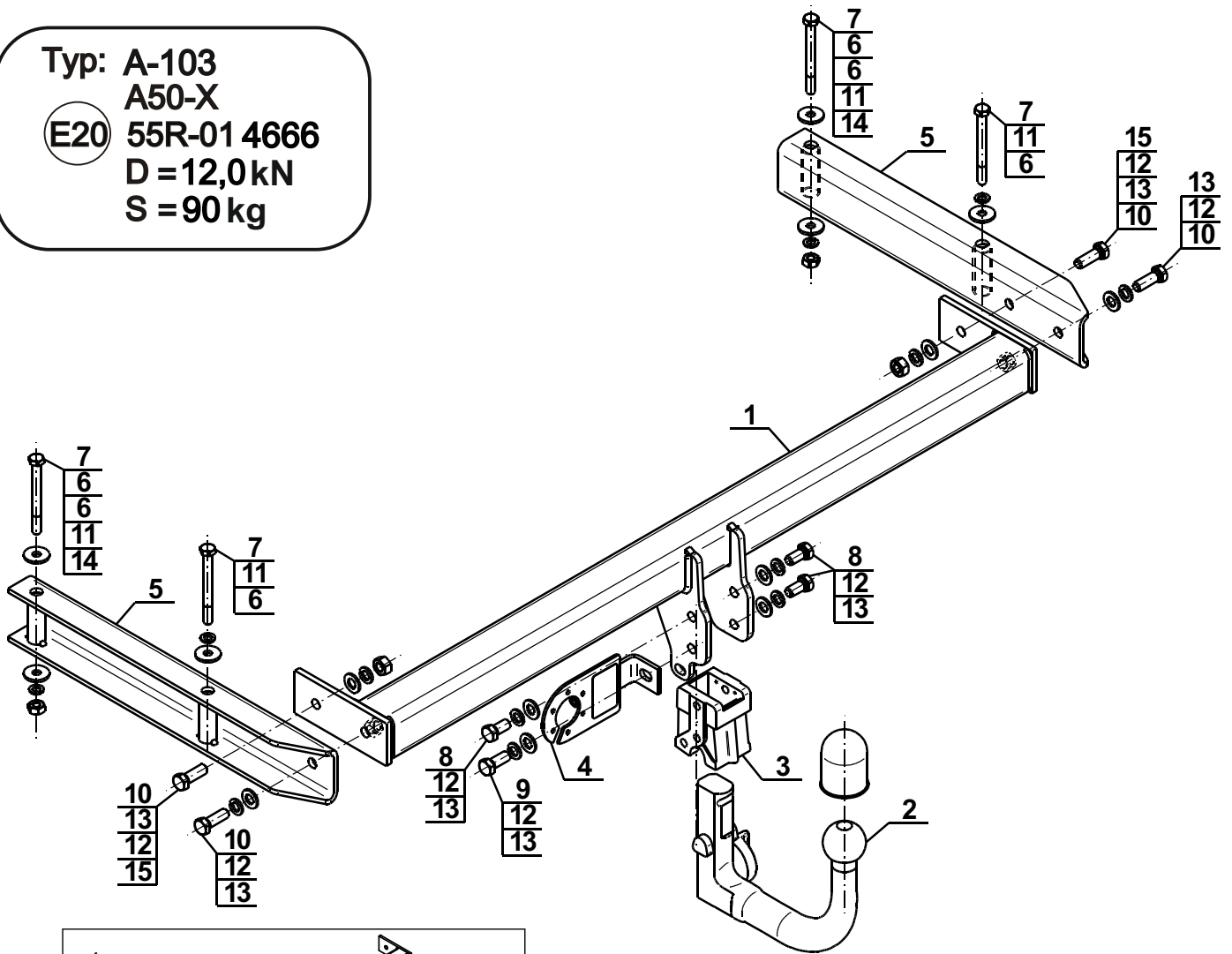


Typ: A-103  
 A50-X  
 E20 55R-01 4666  
 D = 12,0 kN  
 S = 90 kg



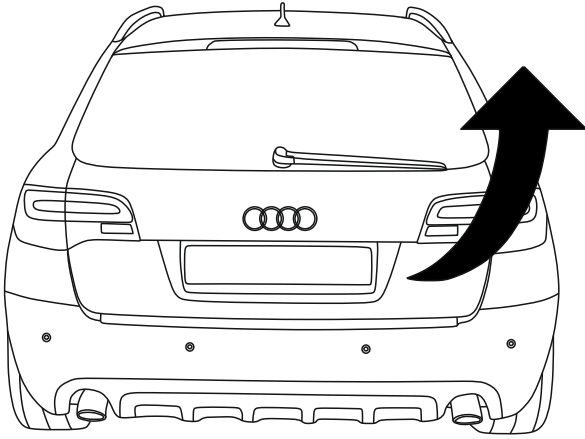
1		x1
2	(ACS-6007 / TERWA 30511) 	x1
3		x1
4	(CZ-050.00) 	x1
5		x2

6		Ø30/Ø10,5x3	x6
7		M10x100 (PN/M-82101) (8.8)	x4
8		M12x25 (PN/M-82105) (8.8)	x3
9		M12x30 (PN/M-82105) (8.8)	x1
10		M12x35 (PN/M-82105) (8.8)	x4
11		Ø10,2	x4
12		Ø12,2	x8
13		Ø13,0	x8
14		M10 (8)	x2
15		M12 (8)	x2

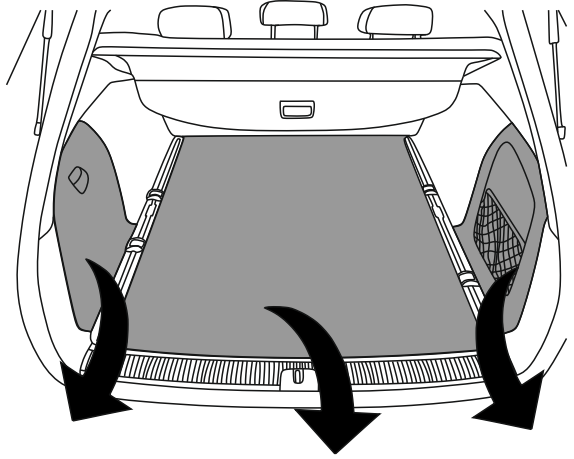


8.8	
M6 - 10 (Nm)	M12 - 85 (Nm)
M8 - 25 (Nm)	M14 - 135 (Nm)
M10 - 50 (Nm)	M16 - 200 (Nm)

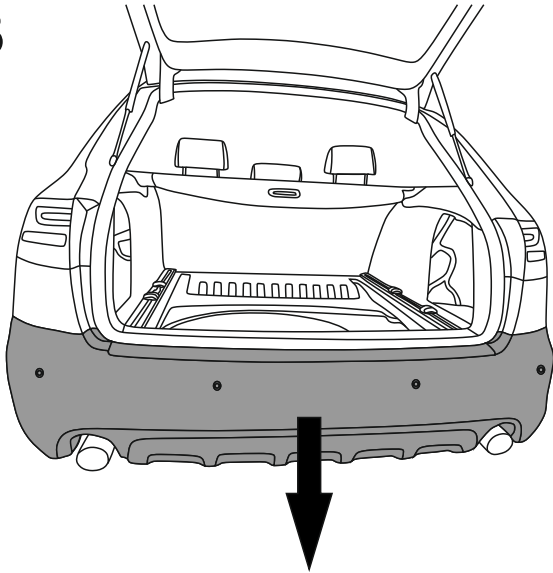
1



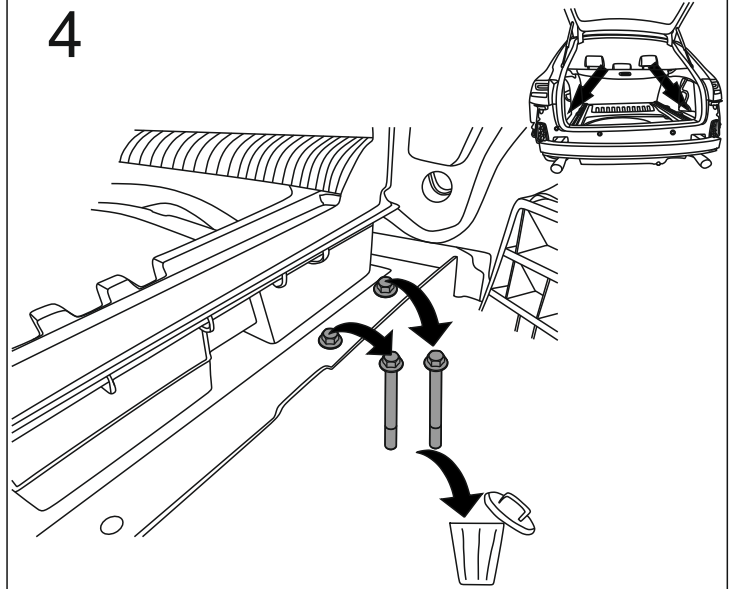
2



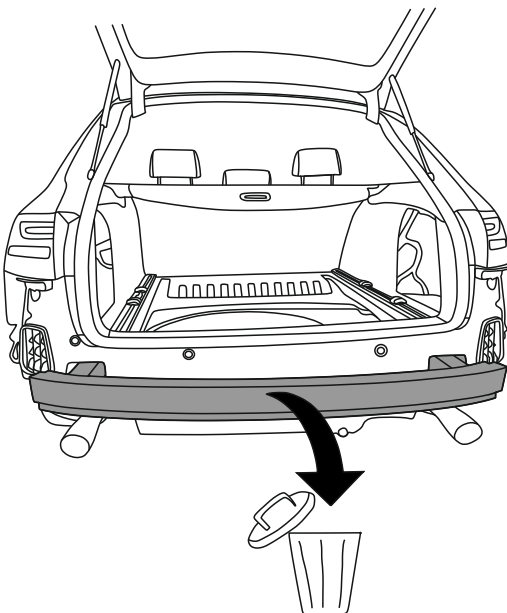
3



4



5



6

