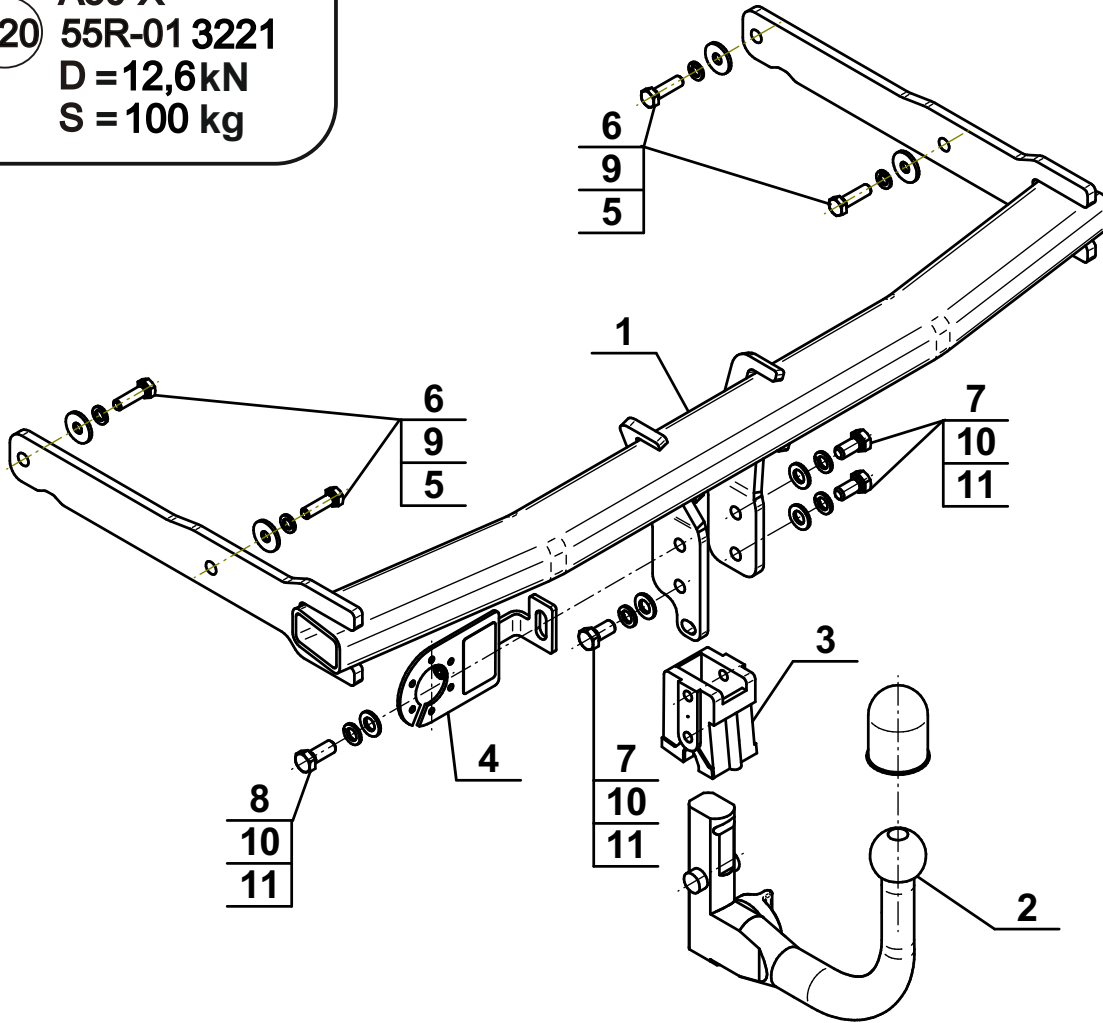


Typ: A-099
 A50-X
 (E20) 55R-01 3221
 D = 12,6kN
 S = 100 kg



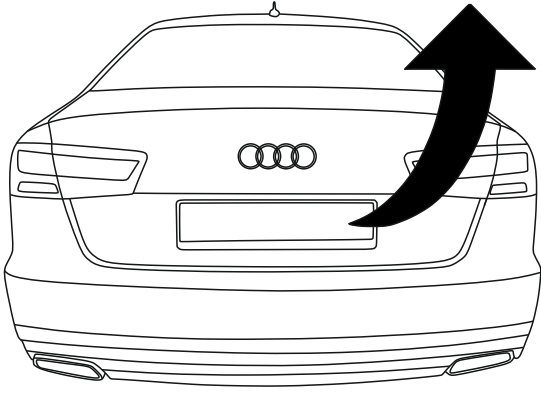
1		x1
2		x1
3		x1
4		x1

5		Ø30/Ø10,5x3	x4
6		M10x35 (PN/M-82105) (8.8)	x4
7		M12x25 (PN/M-82105) (8.8)	x3
8		M12x30 (PN/M-82105) (8.8)	x1
9		Ø10,2	x4
10		Ø12,2	x4
11		Ø13,0	x4

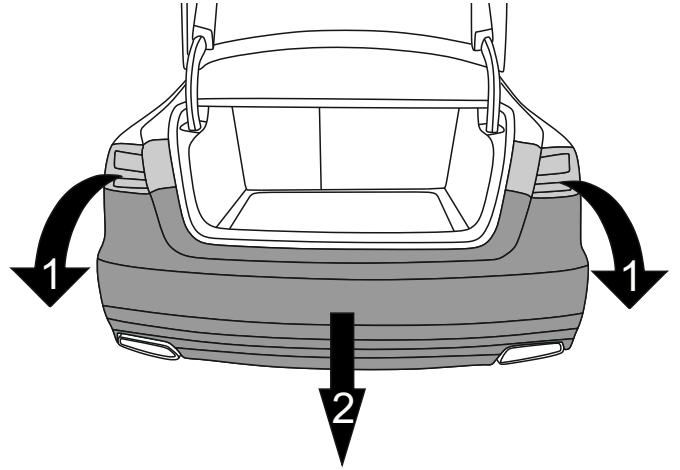


8.8	
M6 - 10 (Nm)	M12 - 85 (Nm)
M8 - 25 (Nm)	M14 - 135 (Nm)
M10 - 50 (Nm)	M16 - 200 (Nm)

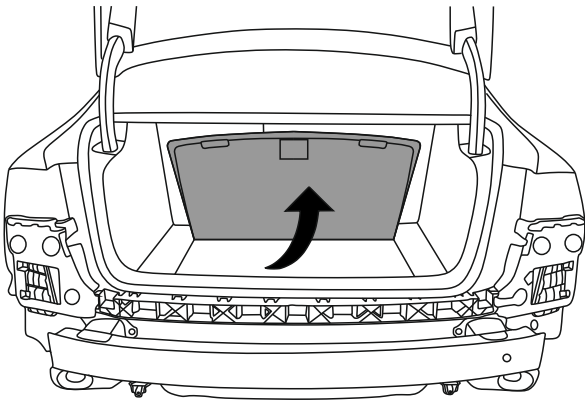
1



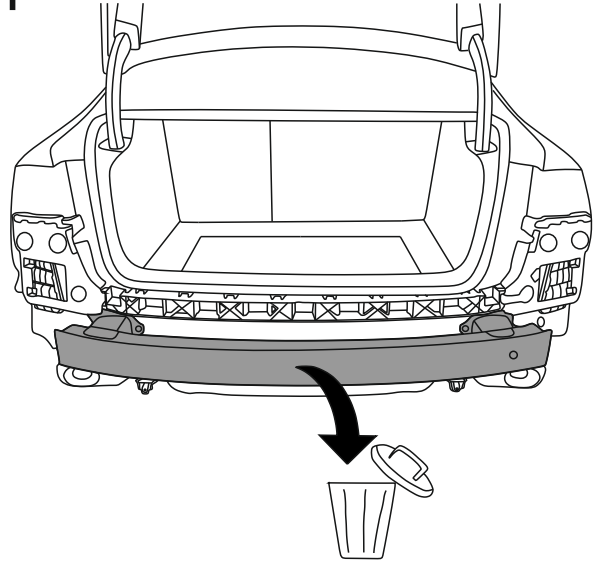
2



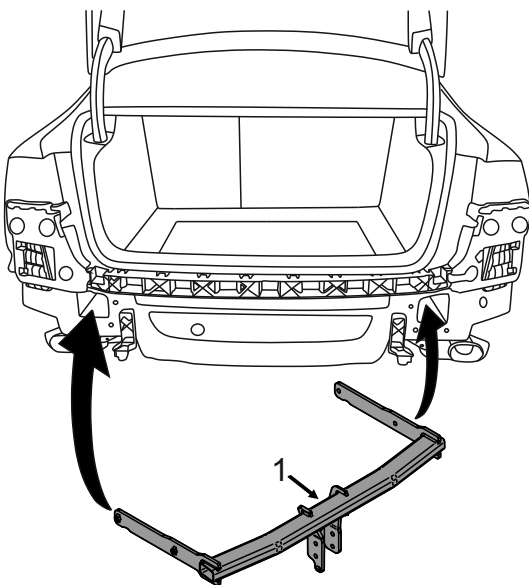
3



4



5



6

