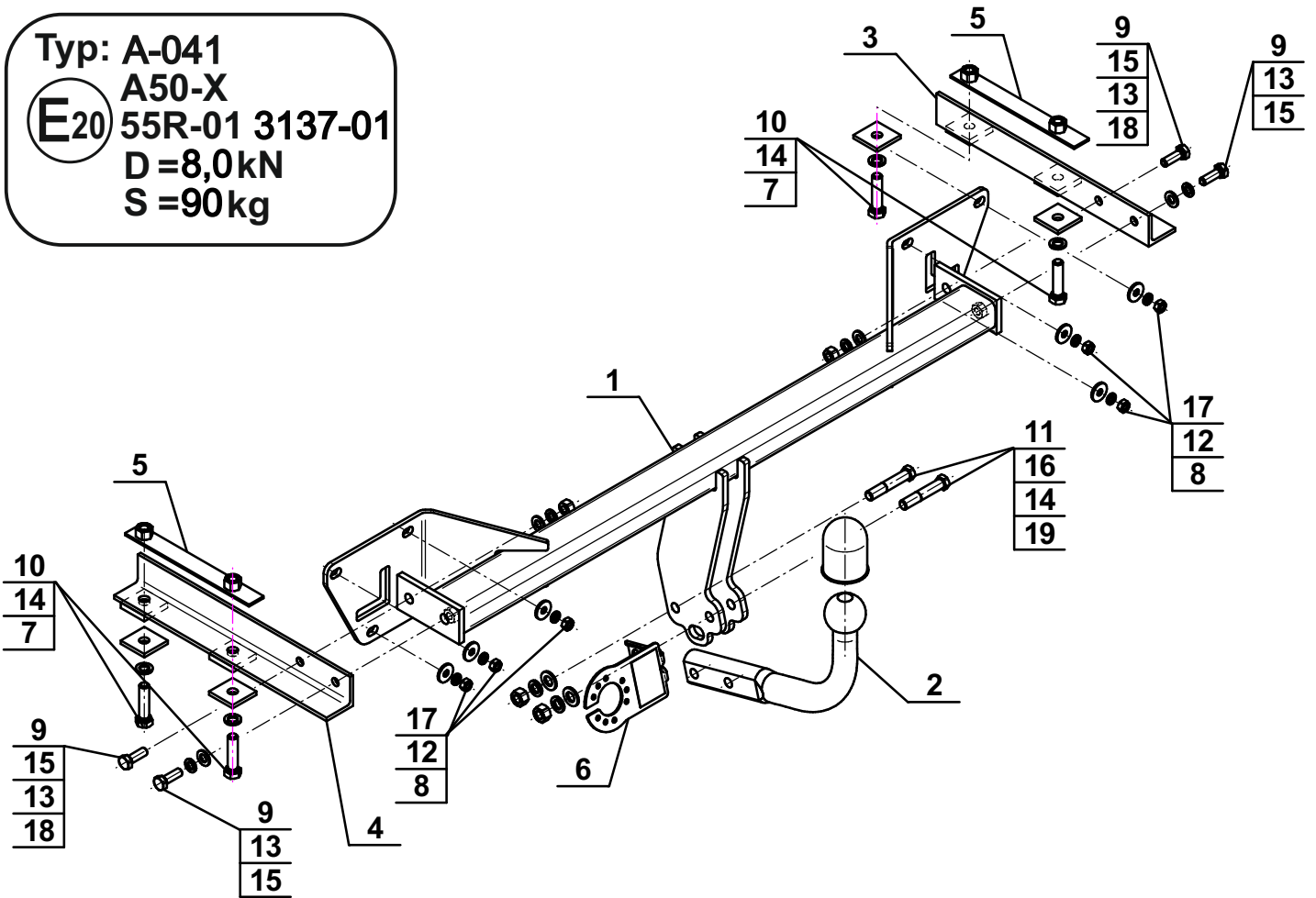


Typ: A-041  
 A50-X  
 E20 55R-01 3137-01  
 D = 8,0kN  
 S = 90kg



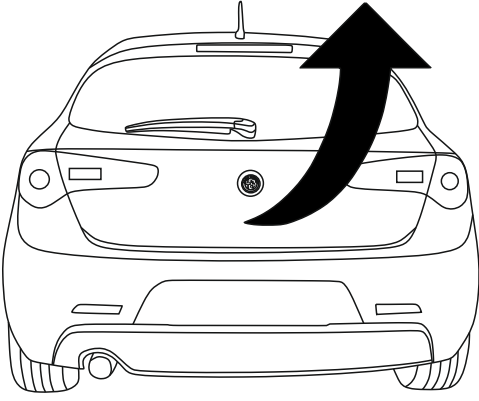
1		x1
2		x1
3		x1
4		x1
5		x2
6		x1

7		40x40x5/Ø12,5	x4
8		Ø24/Ø8,5x2,5	x6
9		M10x30 (PN/M-82105) (8.8)	x4
10		M12x50 (PN/M-82105) (8.8)	x4
11		M12x65 (PN/M-82101) (8.8)	x2
12		Ø8,2	x6
13		Ø10,2	x4
14		Ø12,2	x6
15		Ø10,5	x4
16		Ø13,0	x2
17		M8 (8)	x6
18		M10 (8)	x2
19		M12 (8)	x2

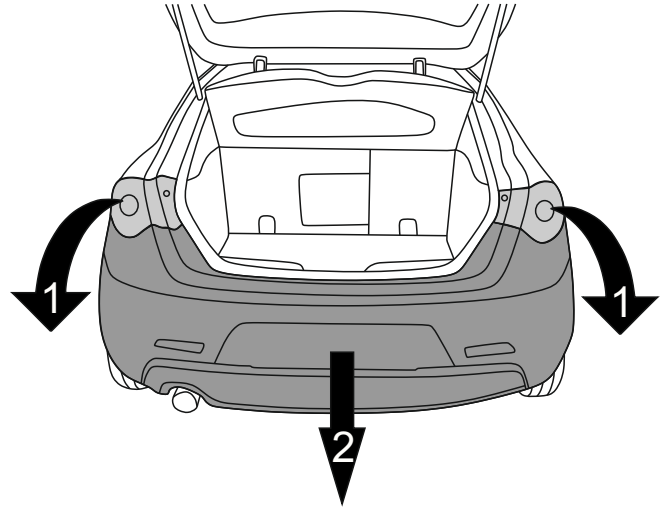


8.8	
M6 - 10 (Nm)	M12 - 85 (Nm)
M8 - 25 (Nm)	M14 - 135 (Nm)
M10 - 50 (Nm)	M16 - 200 (Nm)

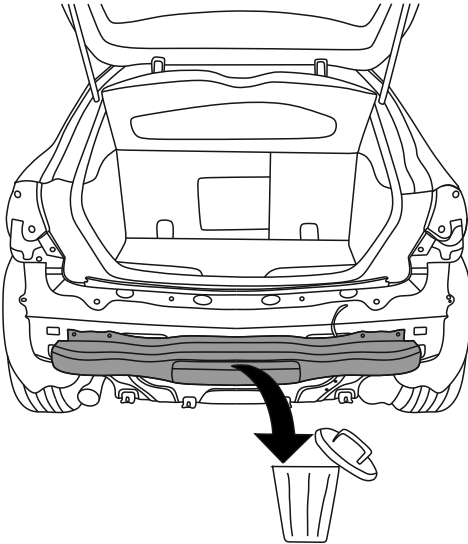
1



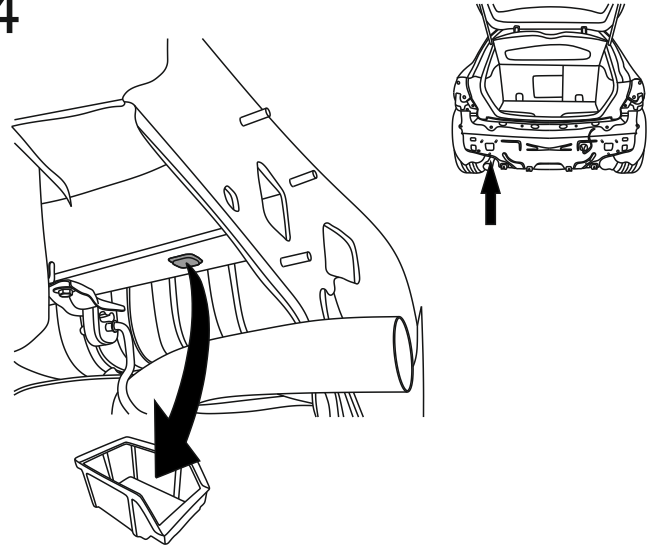
2



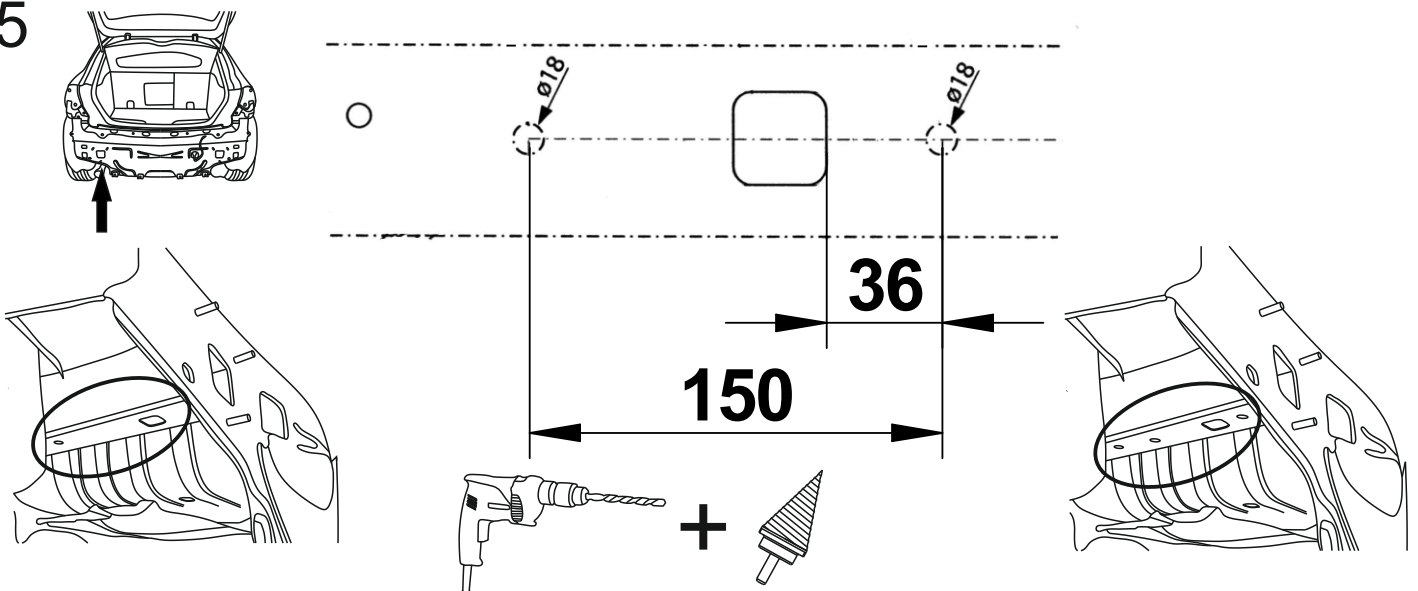
3

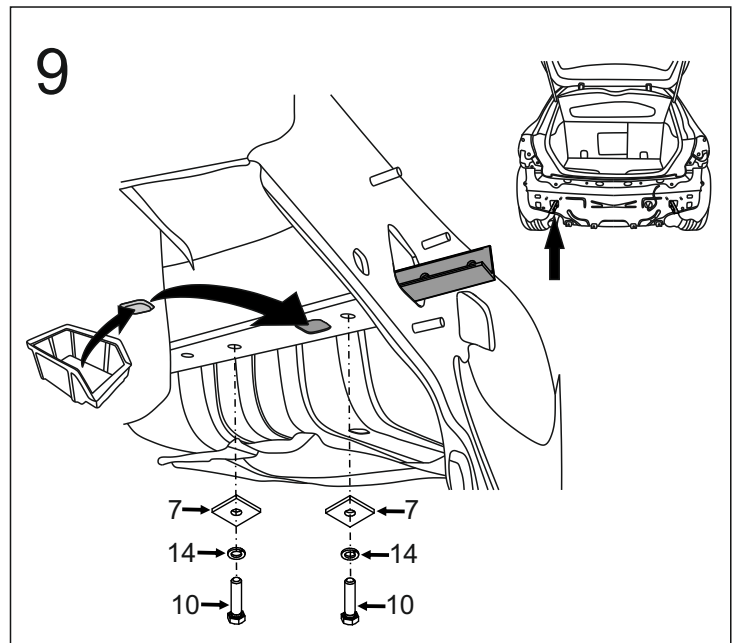
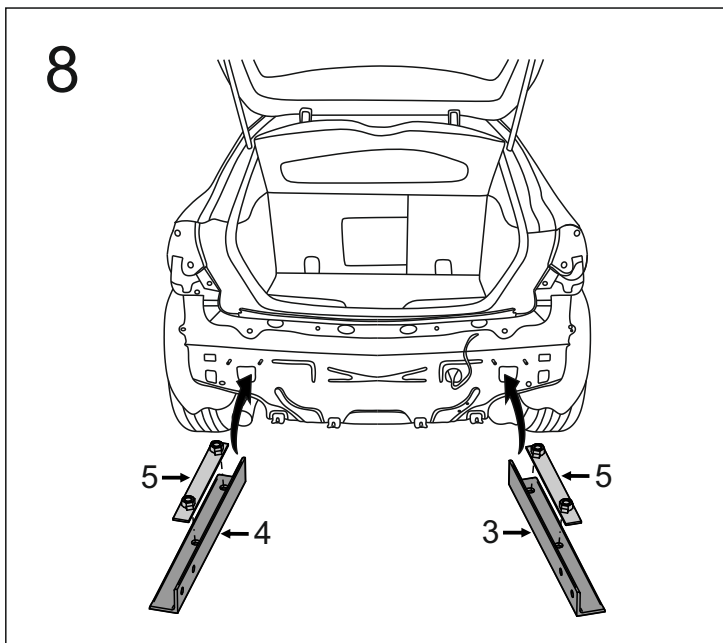
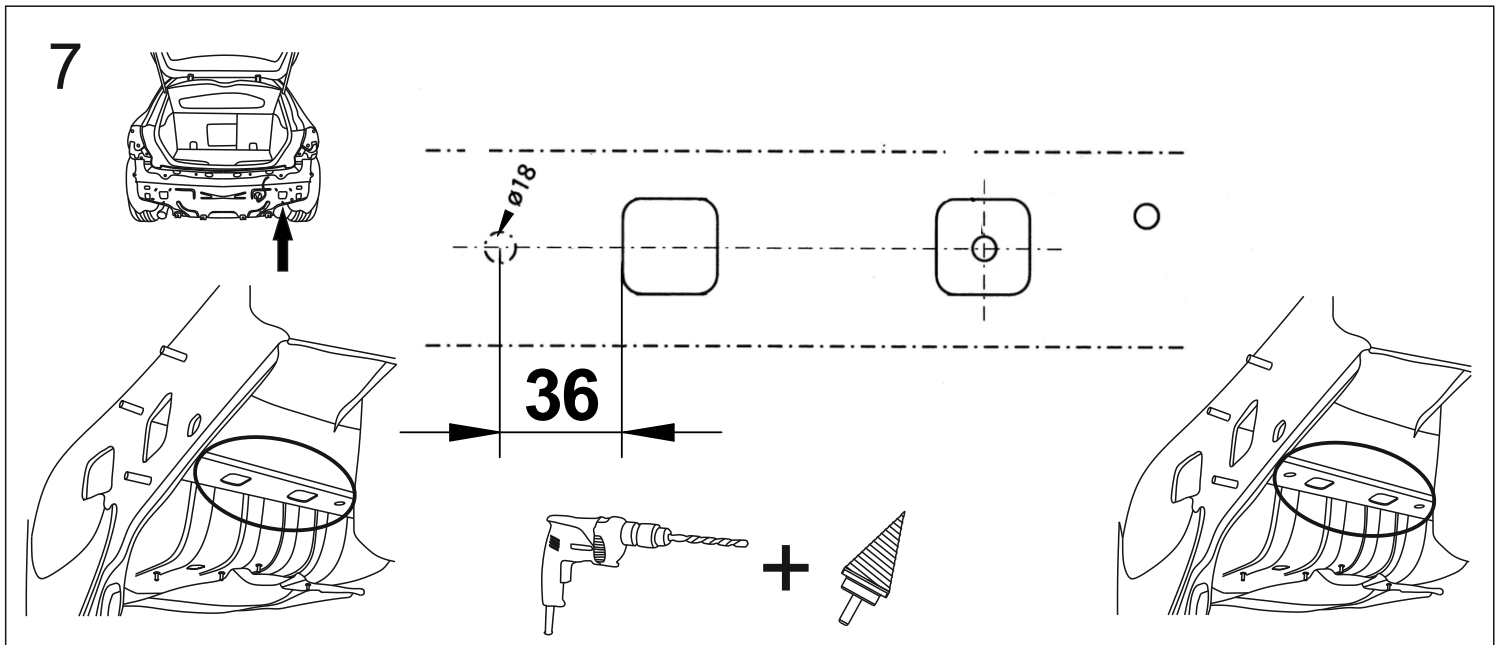
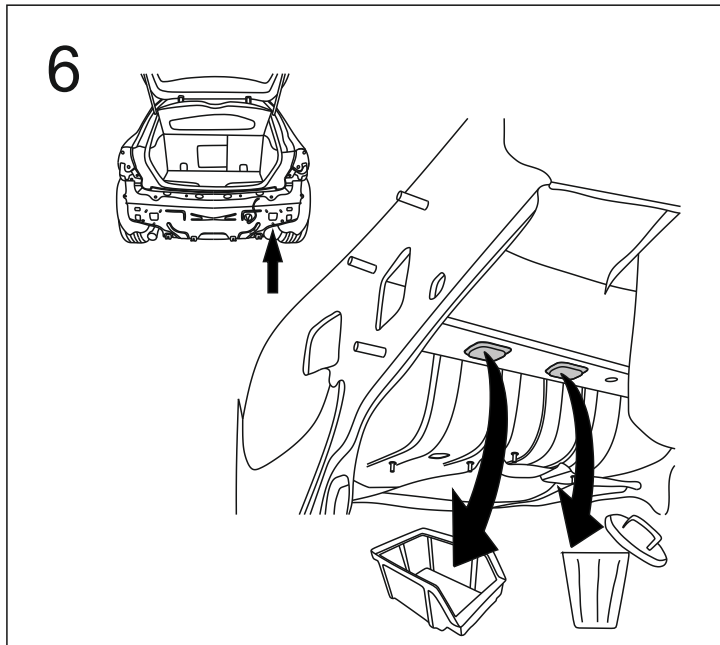


4

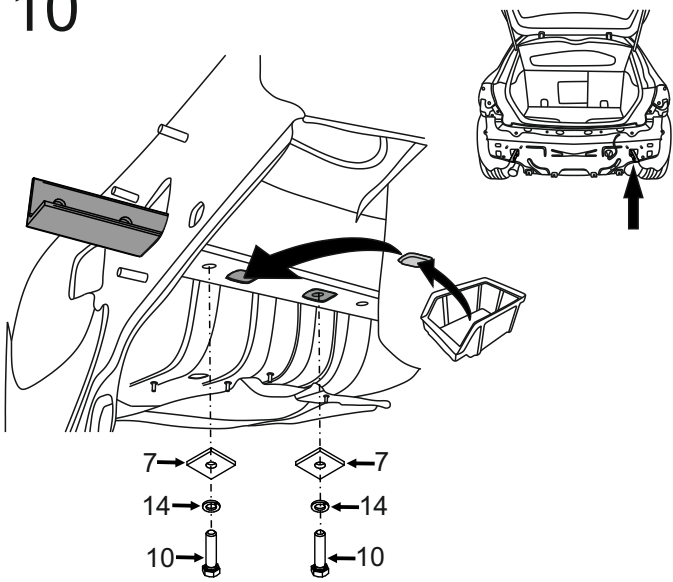


5

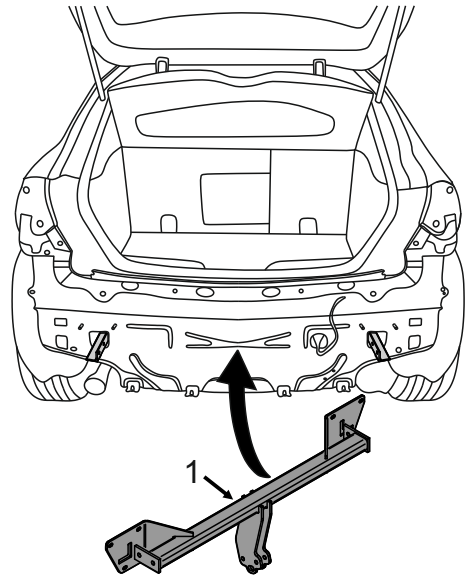




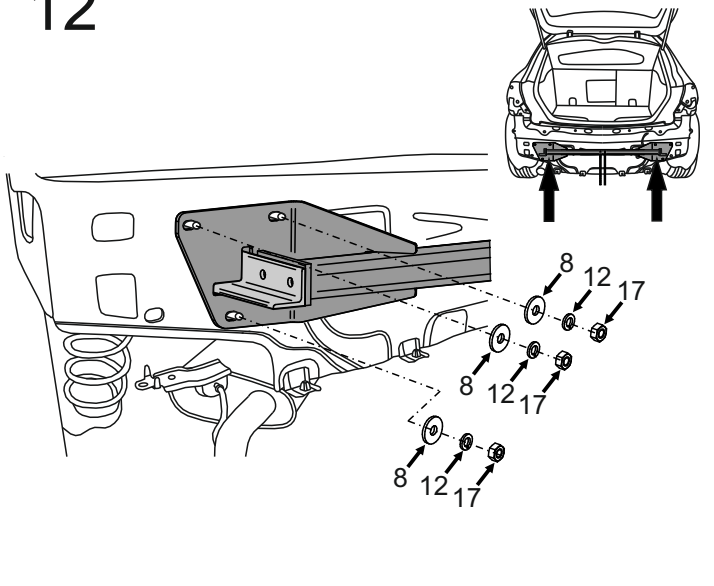
10



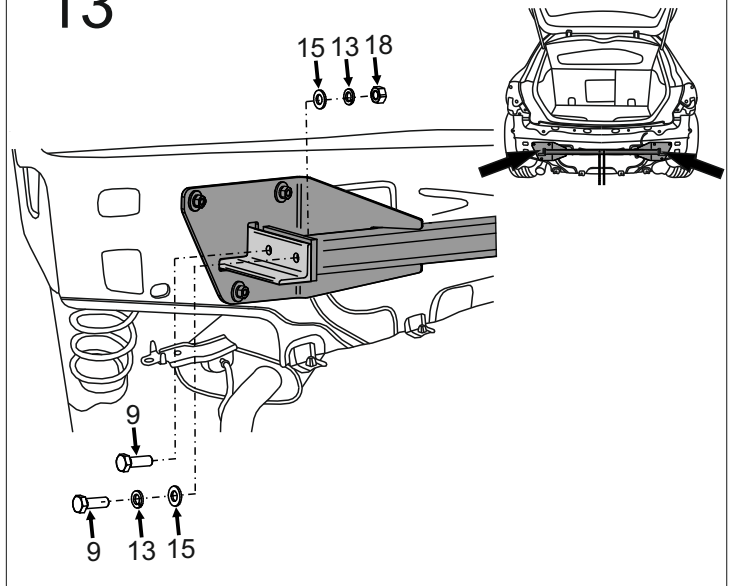
11



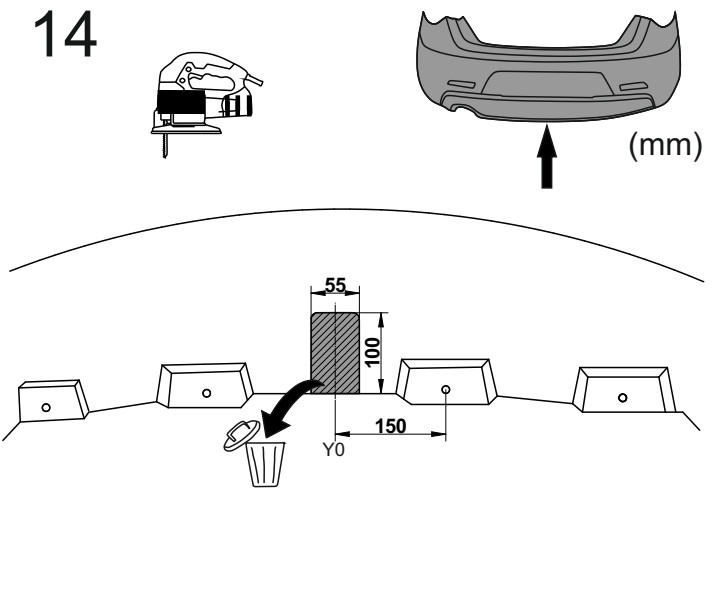
12



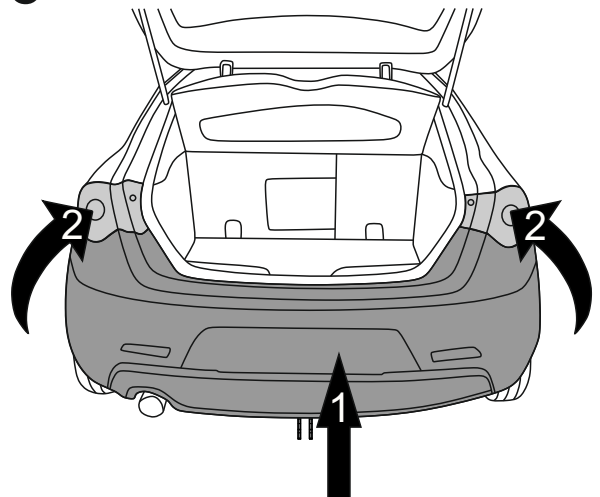
13



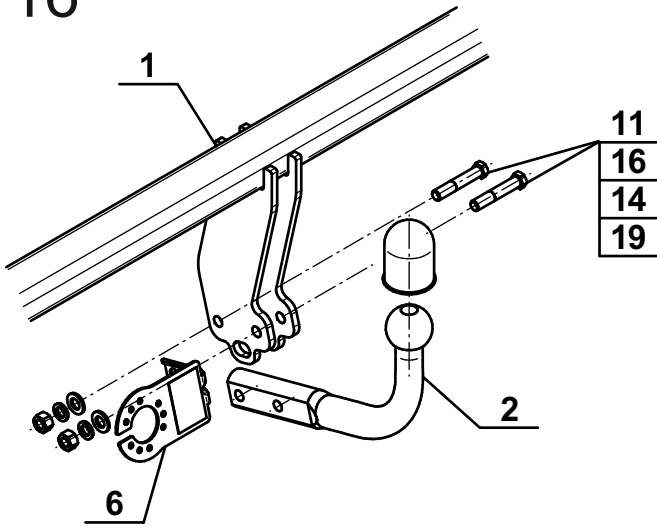
14



15



16



17

