



TREKHAKEN • ATTELAGES • ANHÄNGERVORRICHTUNGEN • TOWBARS • ENHANCES • ANHÆNGERTRÆK • GANCI DI TRAINO

Montagehandleiding | instructions de montage | Einbauanleitung | Mounting instruction
Instrucciones de montaje | monteringsvejledning | istruzioni di montaggio



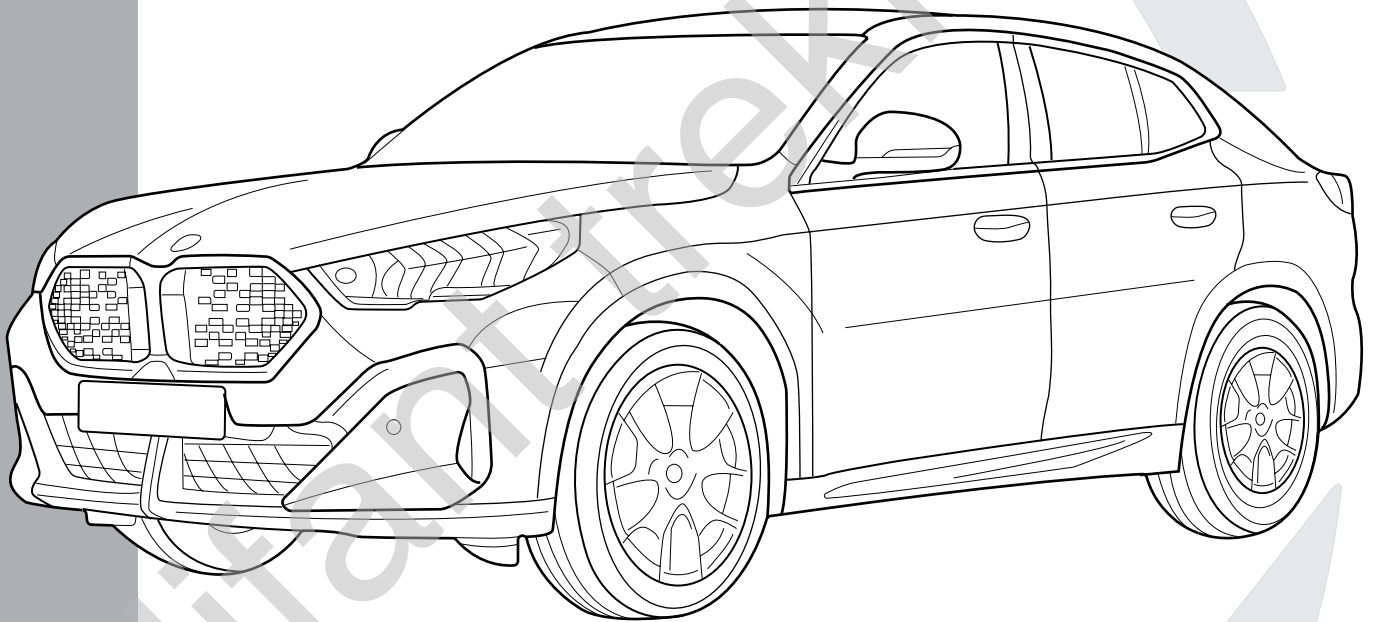
BMW X2 (U10)

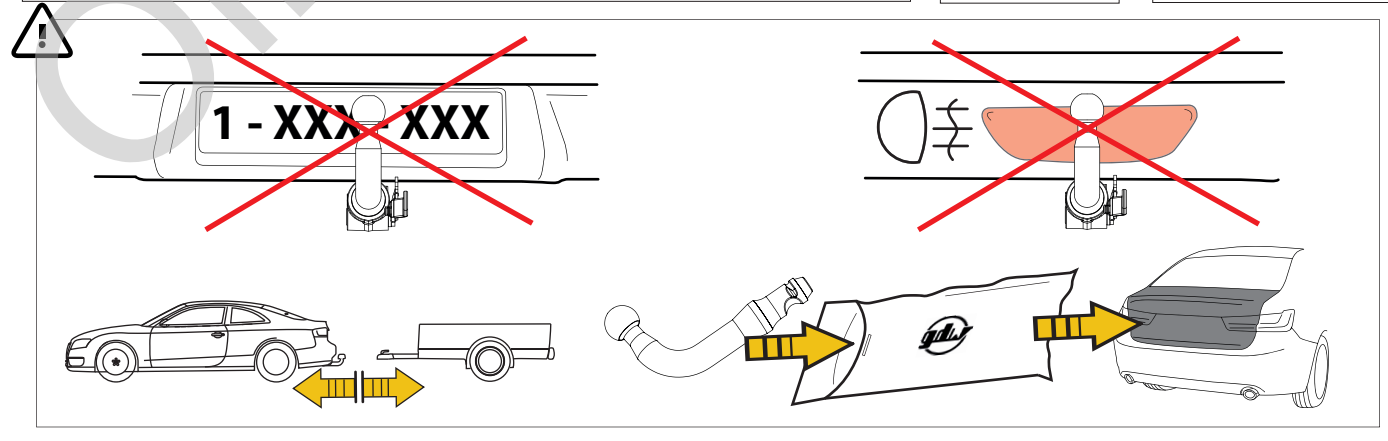
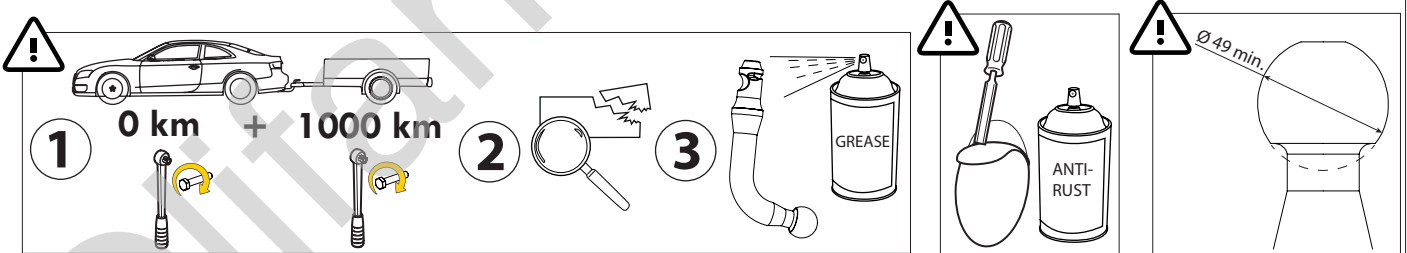
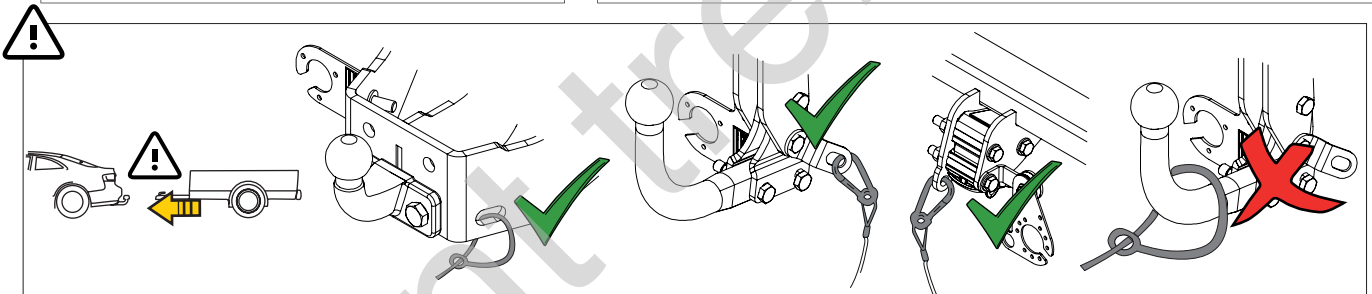
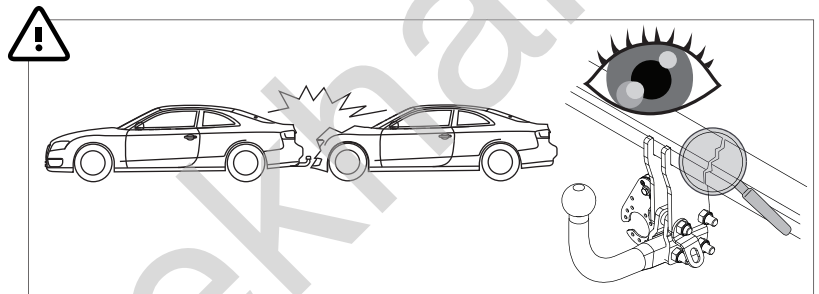
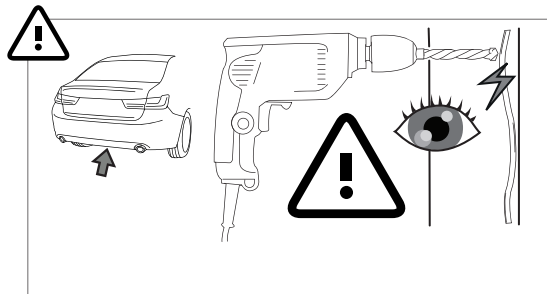
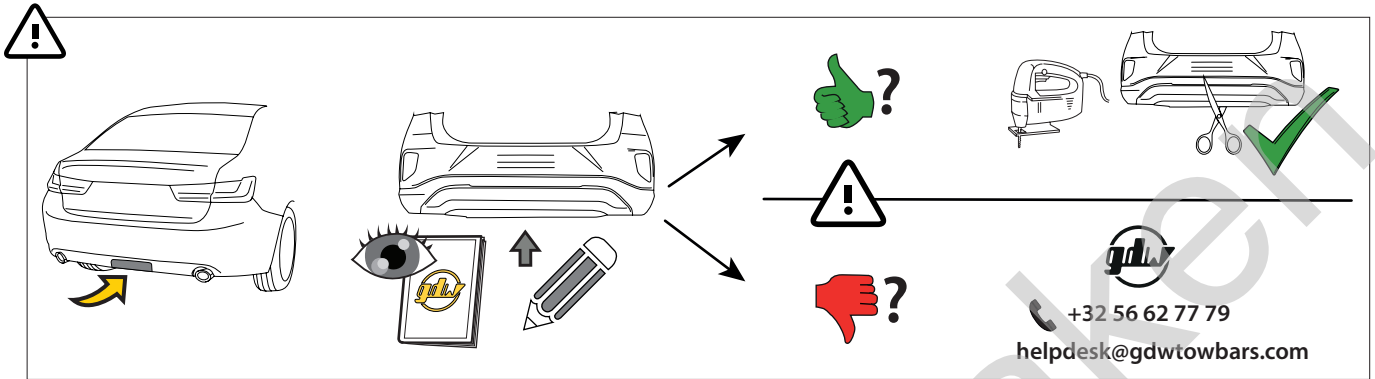
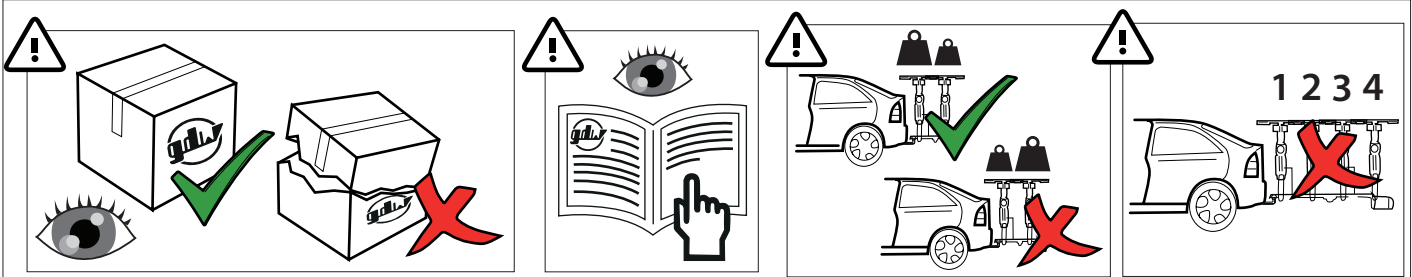
11/'23-

BMW iX2 (U10)

11/'23-

✓ M-SPORT PACKAGE





MADE BY



D 11,30

F

E6

BELGIUM

S 80

EC-N°

55R-02 1836

REF N°

2832T60

SERIAL N°

XXXX

DESCRIPTION

BMW X2 (U10) 11/'23-, BMW iX2 (U10) 11/'23-

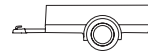


D =



max kg

X



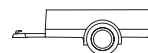
max kg

X 0.00981 ≤ 11,30 kN



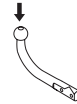
max kg

+

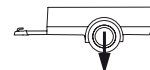


max kg

S =



≤ 80 kg



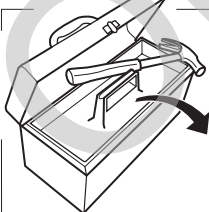
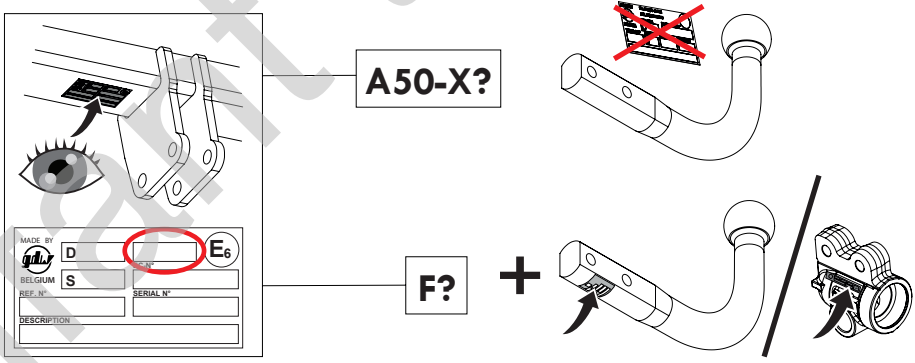
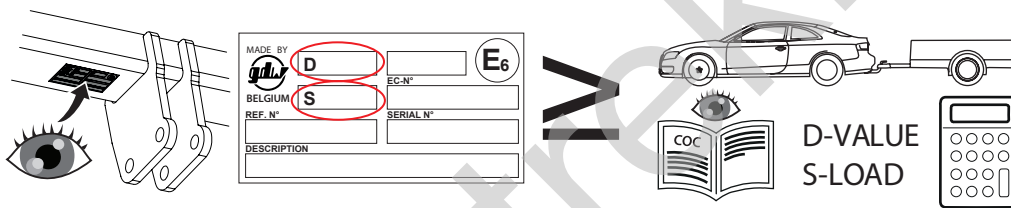
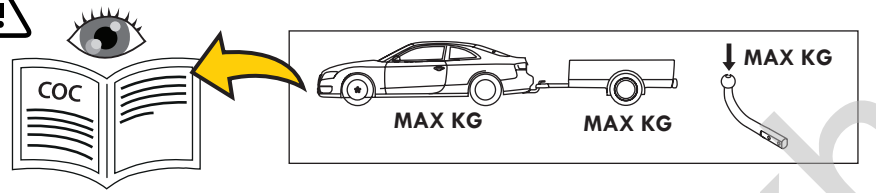
≤ 1800 kg



See the Certificate Of Conformity (COC) of your vehicle or contact your dealer to verify the max. trailer weight of your car!



See the user manual of the vehicle for correct use of bicycle carriers!

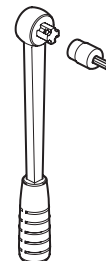
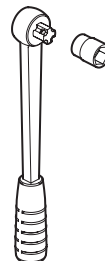
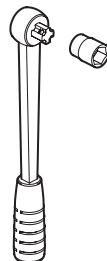
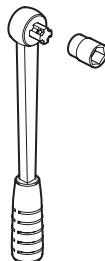


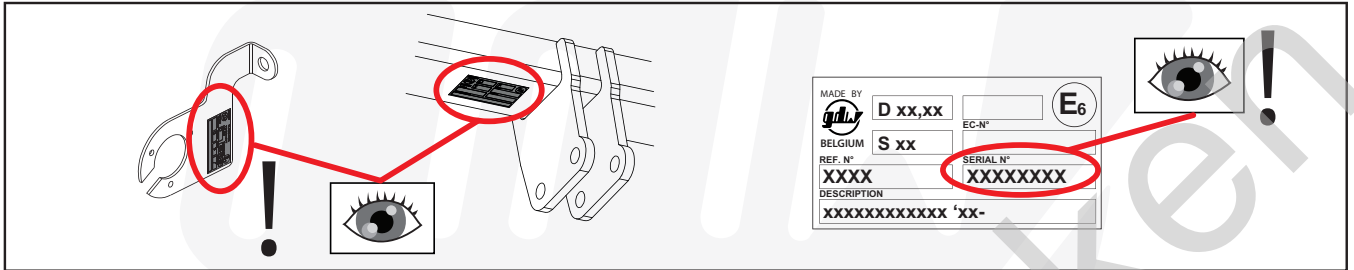
8

10

19

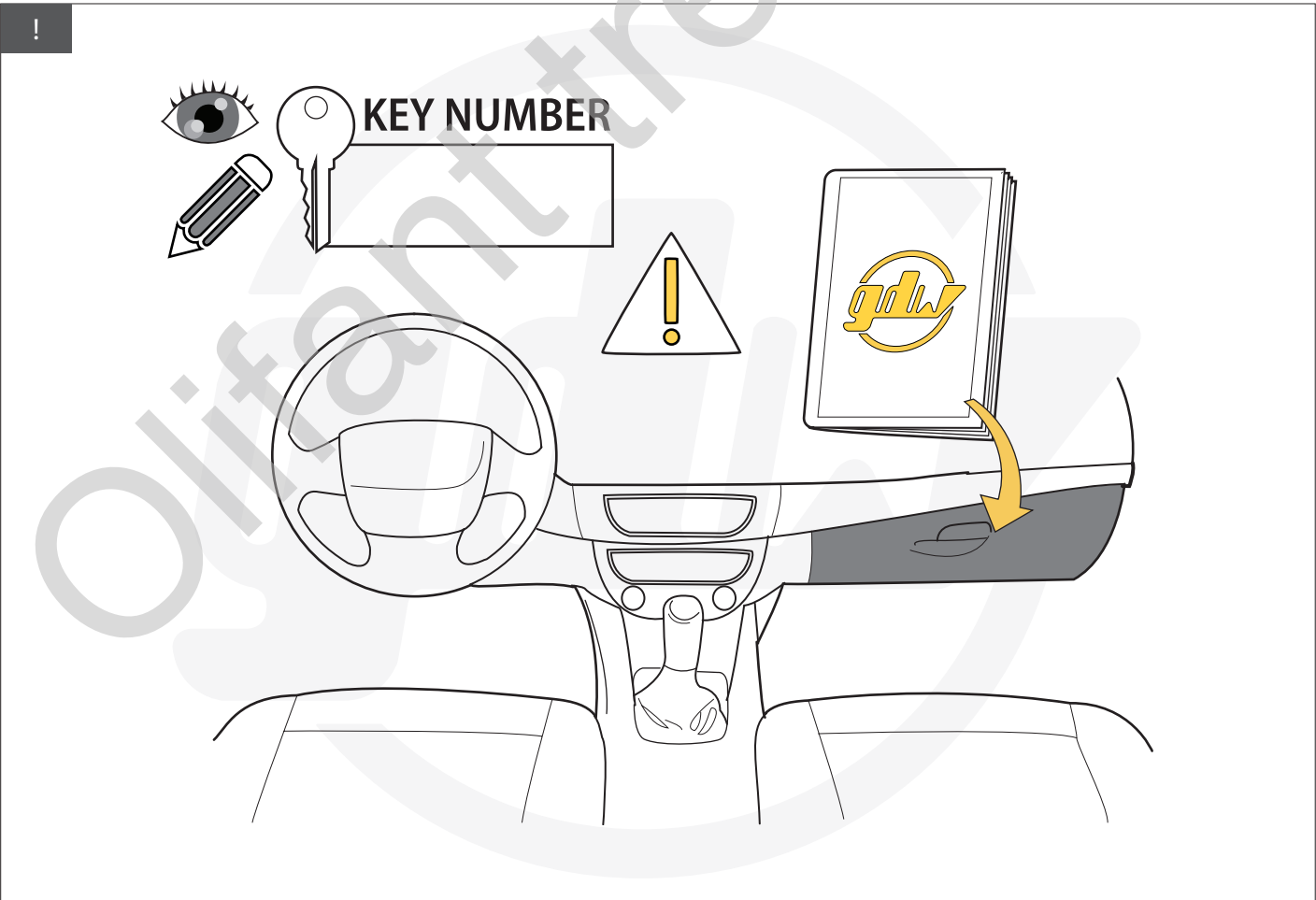
TX20

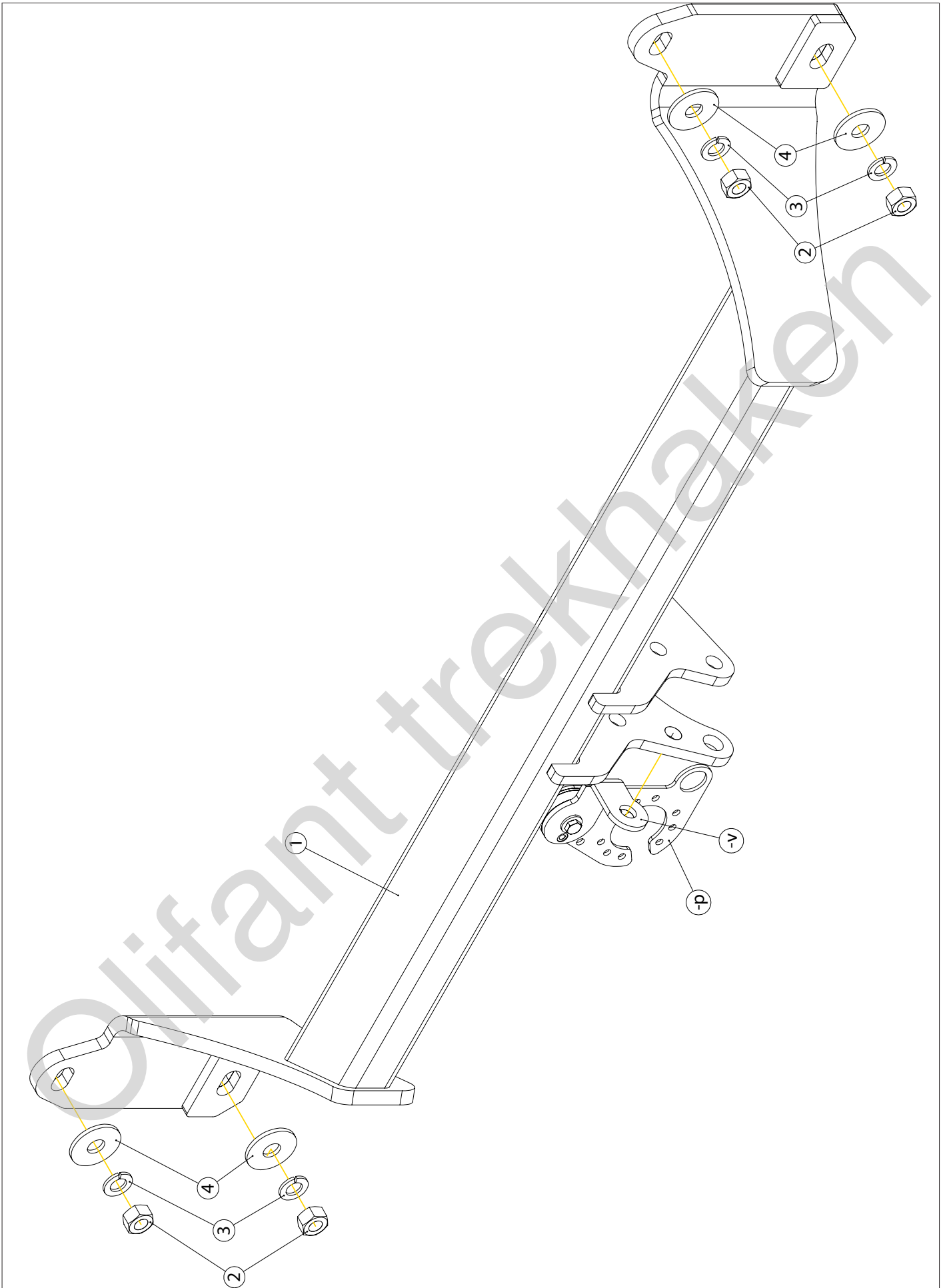


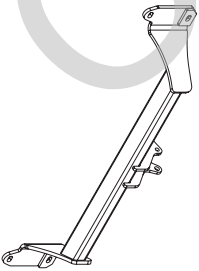

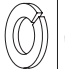



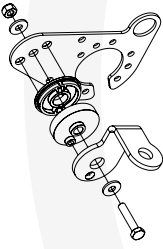




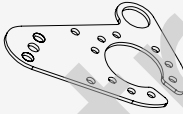


helpdesk@gdwtowbars.com
+32 56 62 77 79

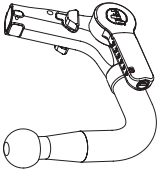




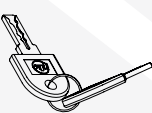

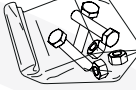




Monday	08:00 - 12:00	12:30 - 16:30
Tuesday	08:00 - 12:00	12:30 - 16:30
Wednesday	08:00 - 12:00	12:30 - 16:30
Thursday	08:00 - 12:00	12:30 - 16:30
Friday	08:00 - 12:00	12:30 - 15:30



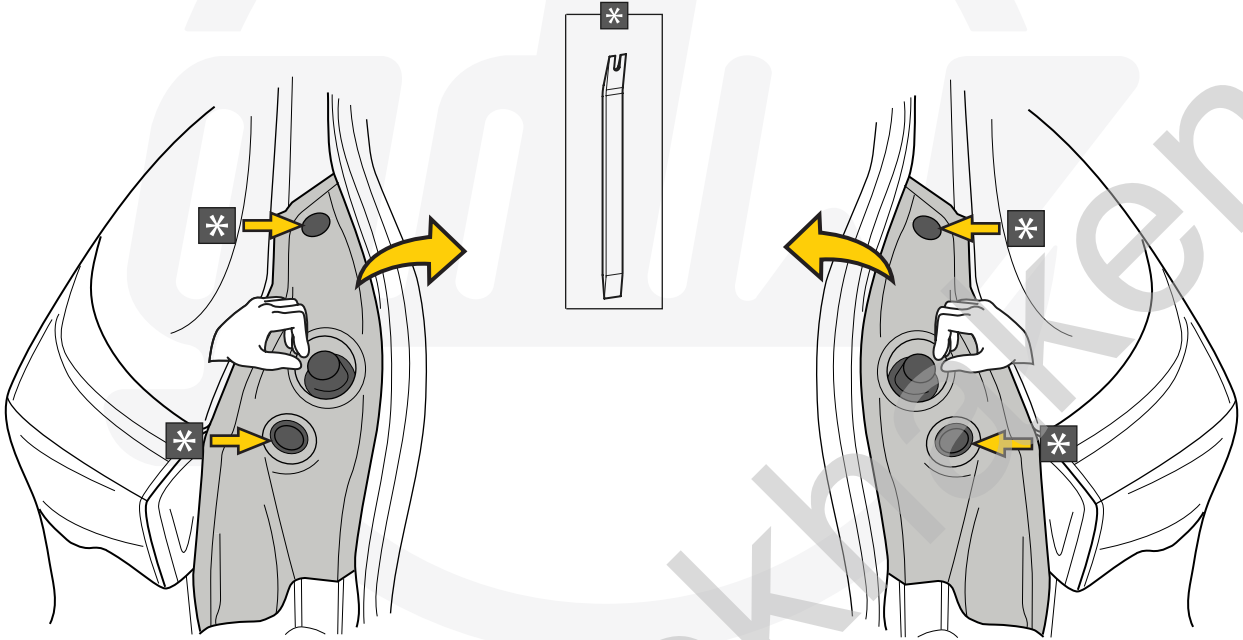
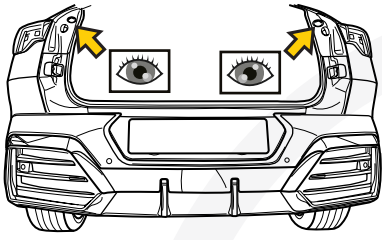


1		X1	GDW REF. 2831
2		X4	DIN9021-M12-ELVZ
3		X4	DIN128A-M12
4		X4	DIN934-M12X1,5-KL10

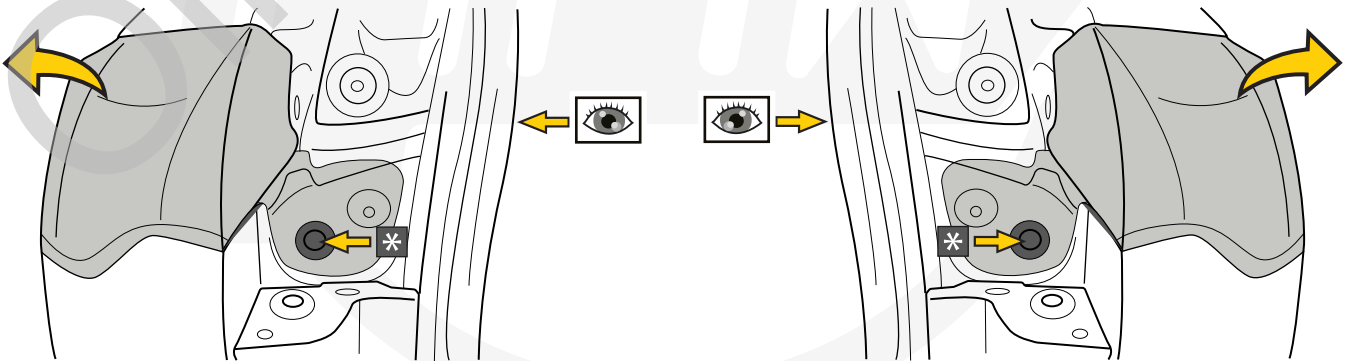
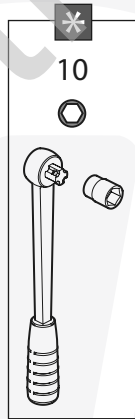
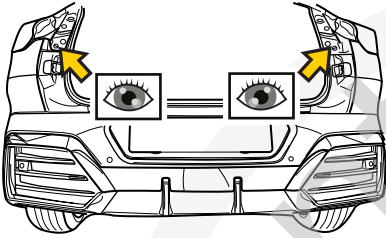
-P		X1	GDW REF. P39
↑		X1	DIN985-M6
↑		X2	6,2 X 15,4 X 1,6 (NYLON)
↑		X1	GDW REF. 718.16.002
↑		X1	GDW REF. 718.16.003
↑		X1	GDW REF. 908.094
↑		X1	DIN933-M6 X 30
↑		X1	GDW REF. 908.095

Geleverd met - Livré avec - Delivered with Geliefert mit - Elementos adjuntos-Leveres med		X1	GDW REF. 960.V0808
	↑ 	X1	GDW REF. 740.200
		X1	GDW REF. 912.003
	↑ 	X1	GDW REF. 740.112
	↑ 	X1	GDW REF. 740.111
		X1	GDW REF. 740.12X X= LAST NUMBER ON KEY
		X1	GDW REF. 718.15.001
		X1	GDW REF. SYST60-10
	↑ 	X3	DIN931-M12X110-8.8
	↑ 	X3	DIN128A-M12
	↑ 	X6	DIN125A-M12
	↑ 	X3	DIN934-M12

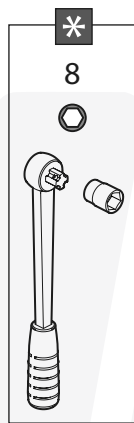
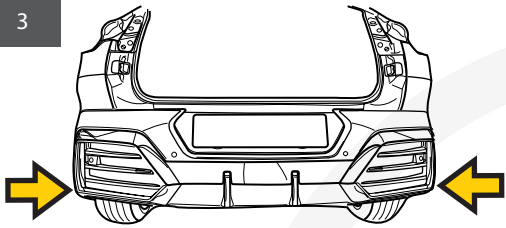
1



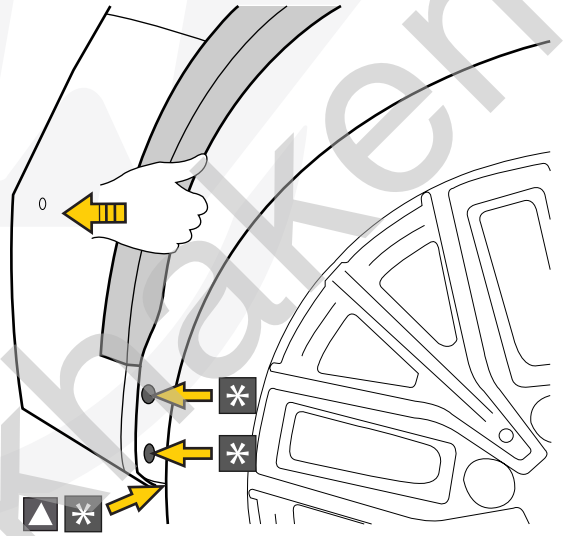
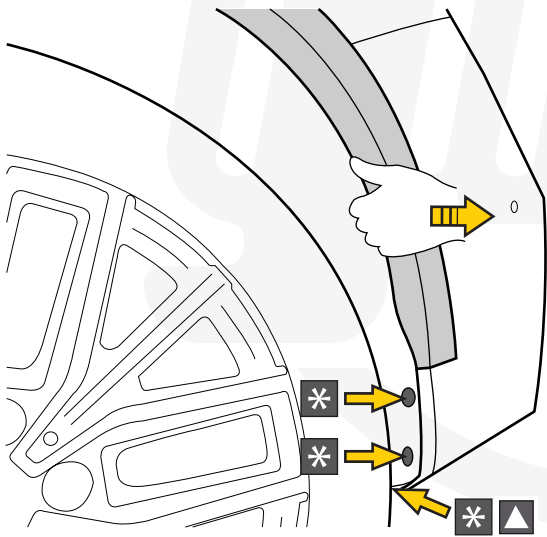
2



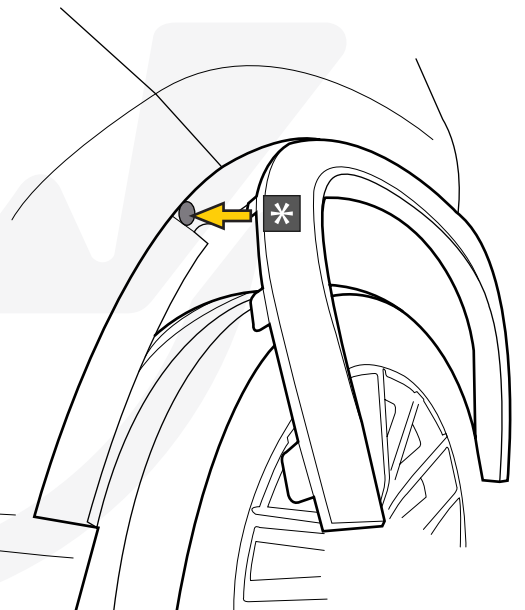
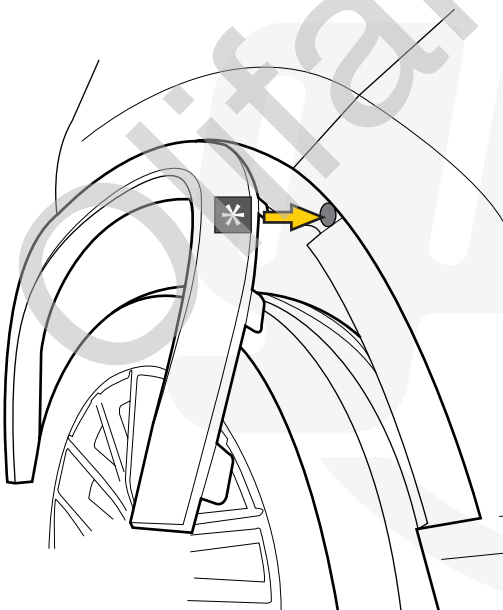
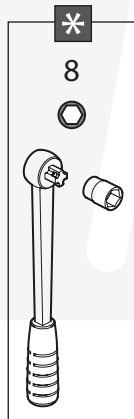
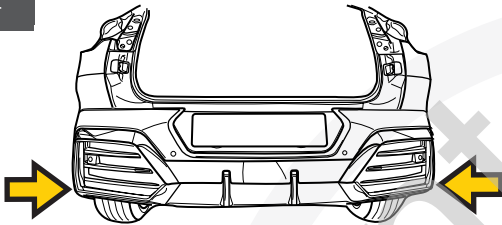
3

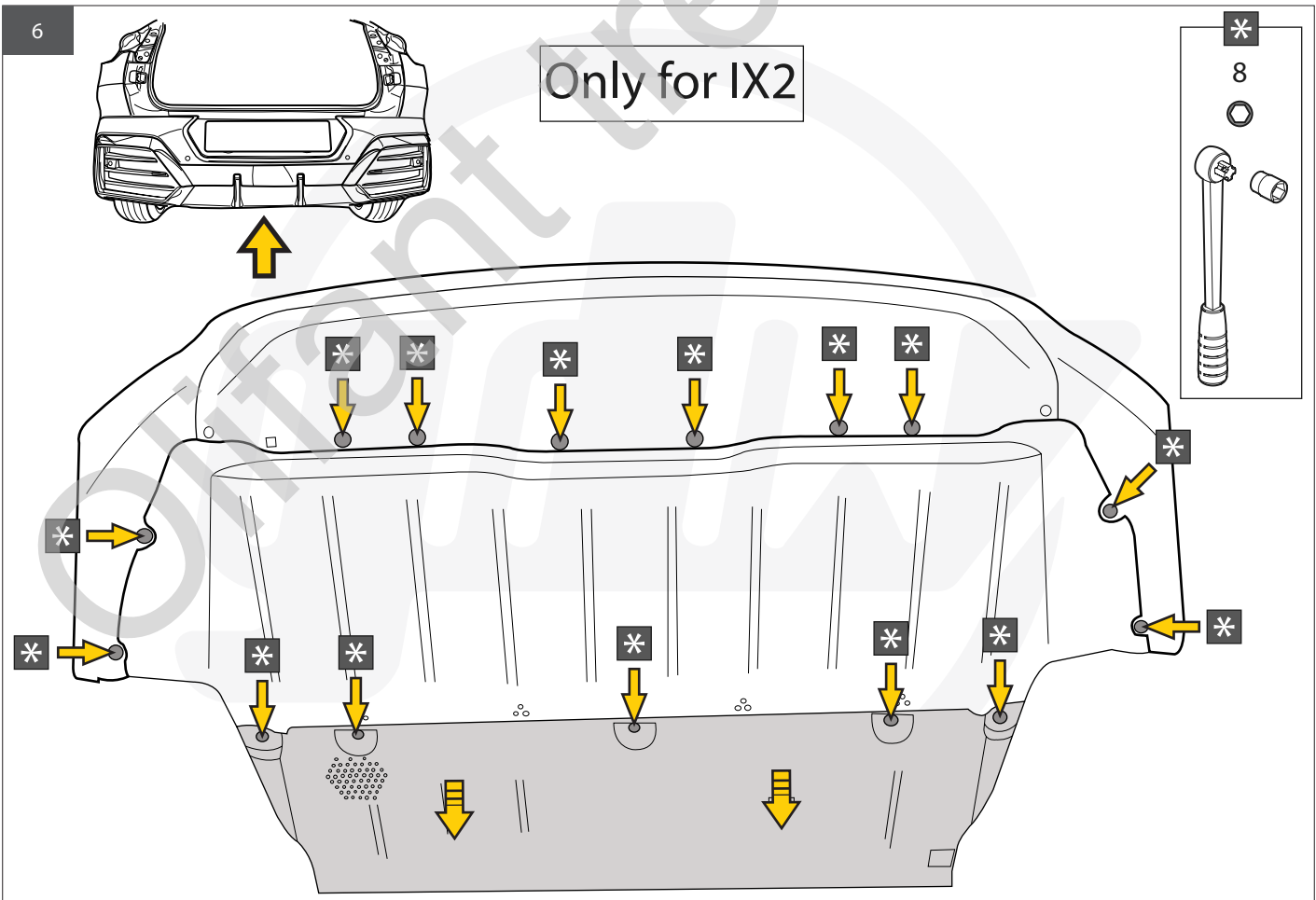
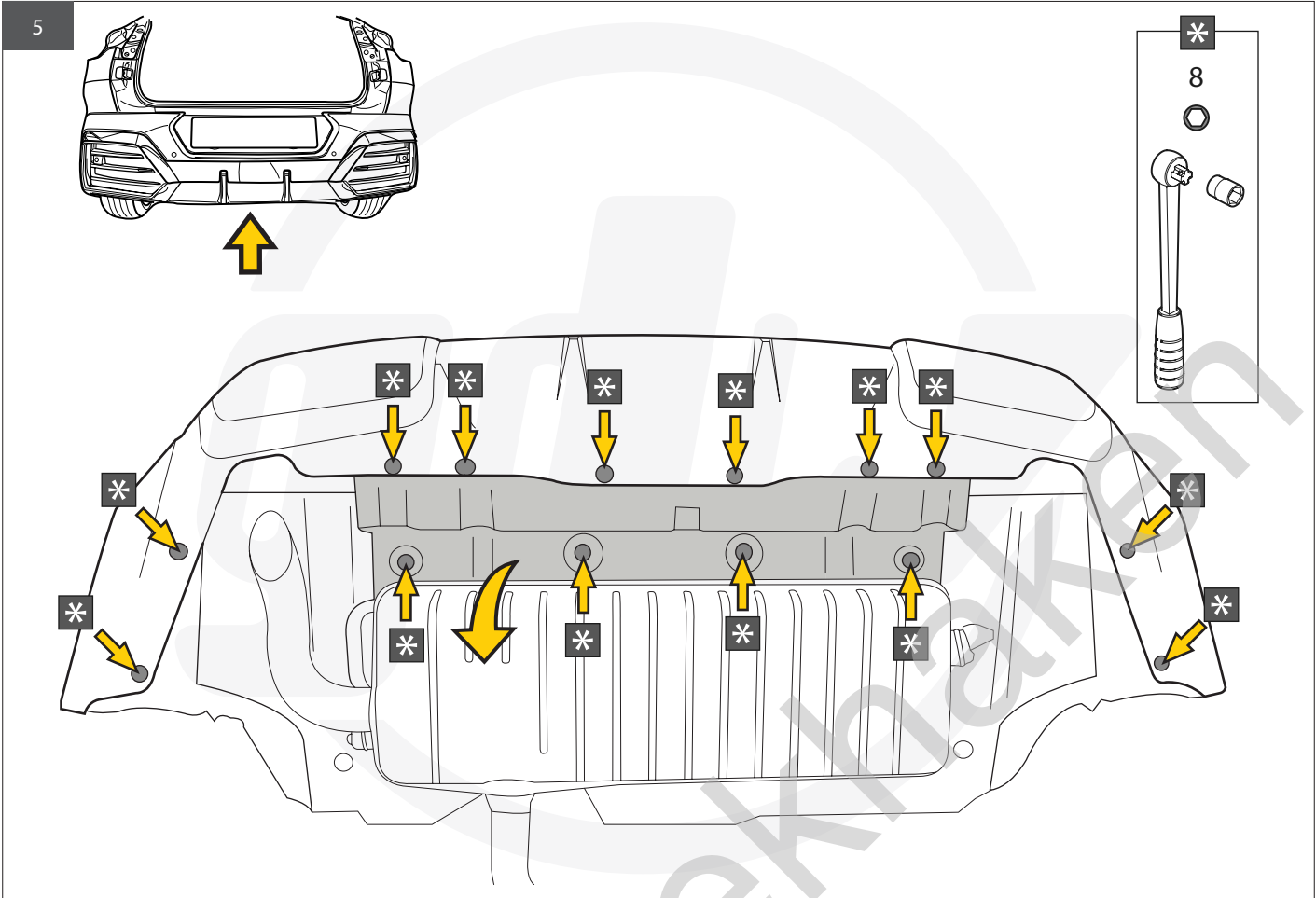


Only for IX2

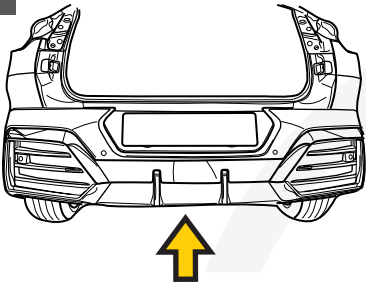


4

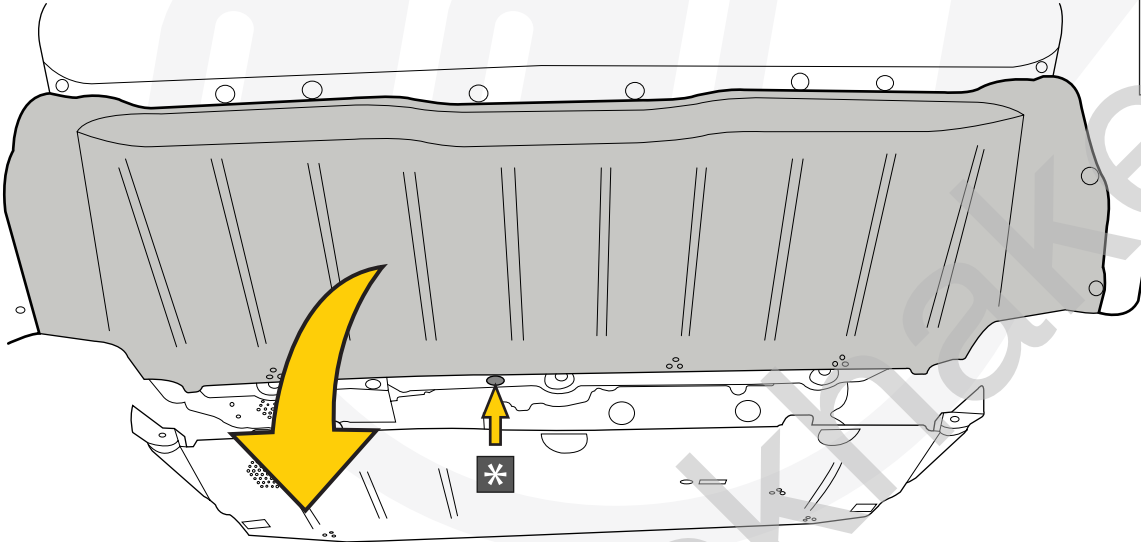
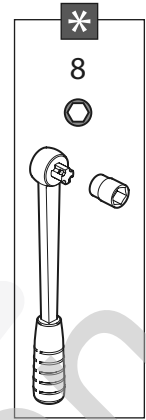




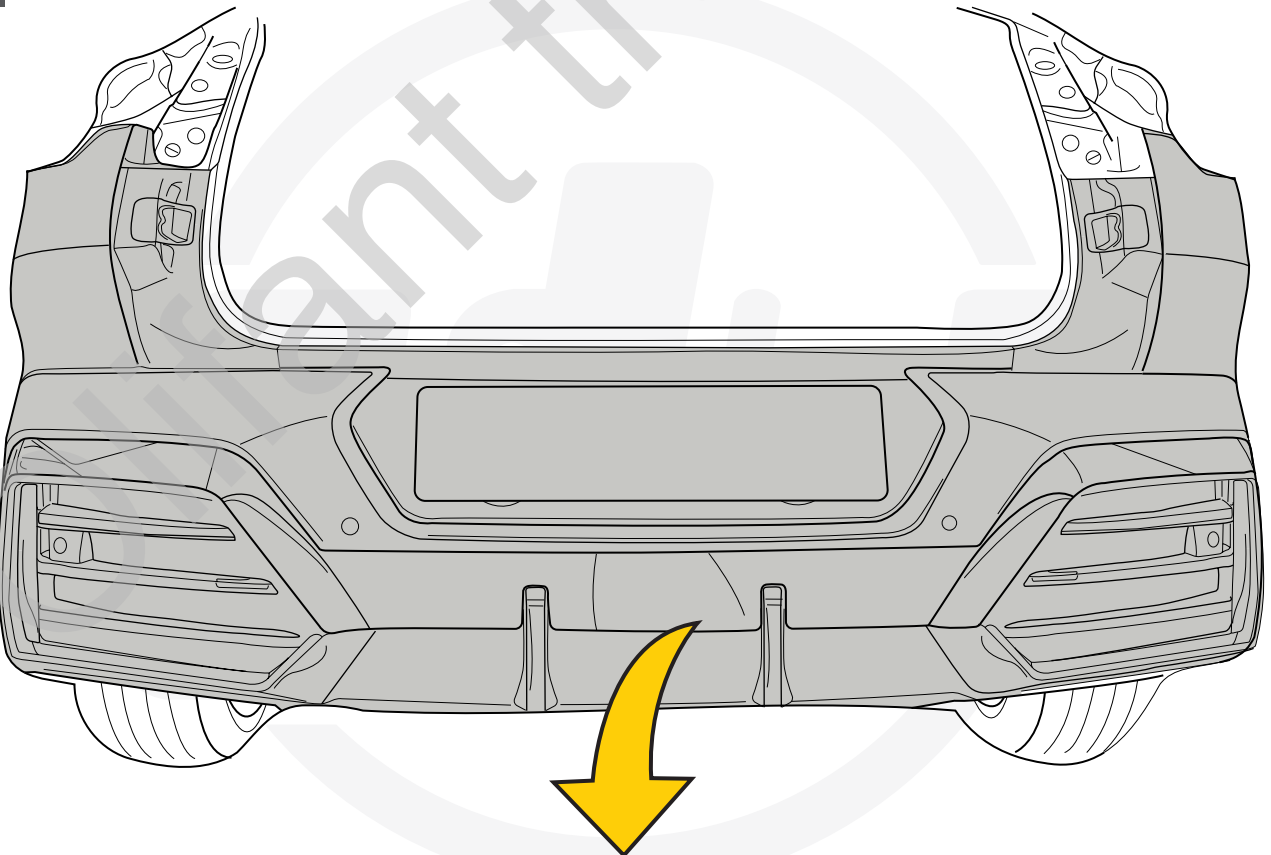
7

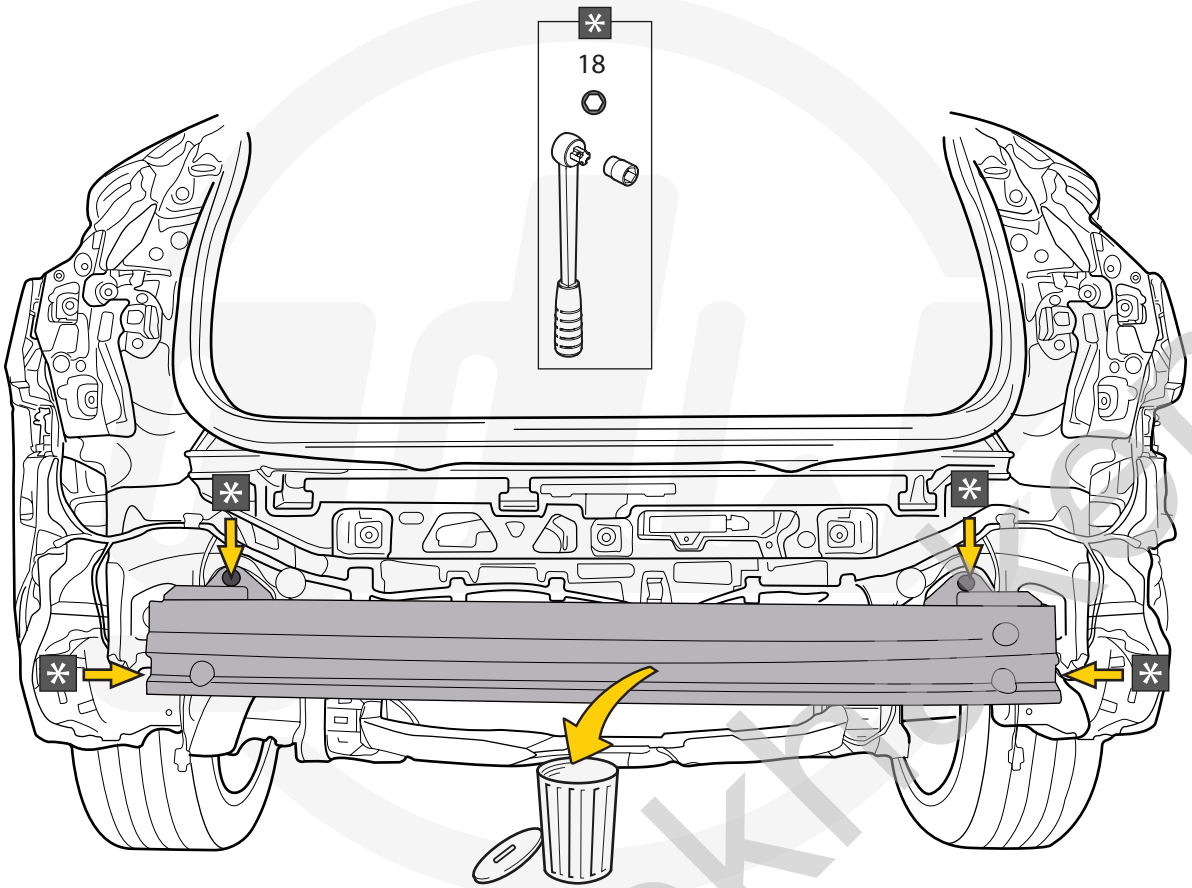


Only for IX2

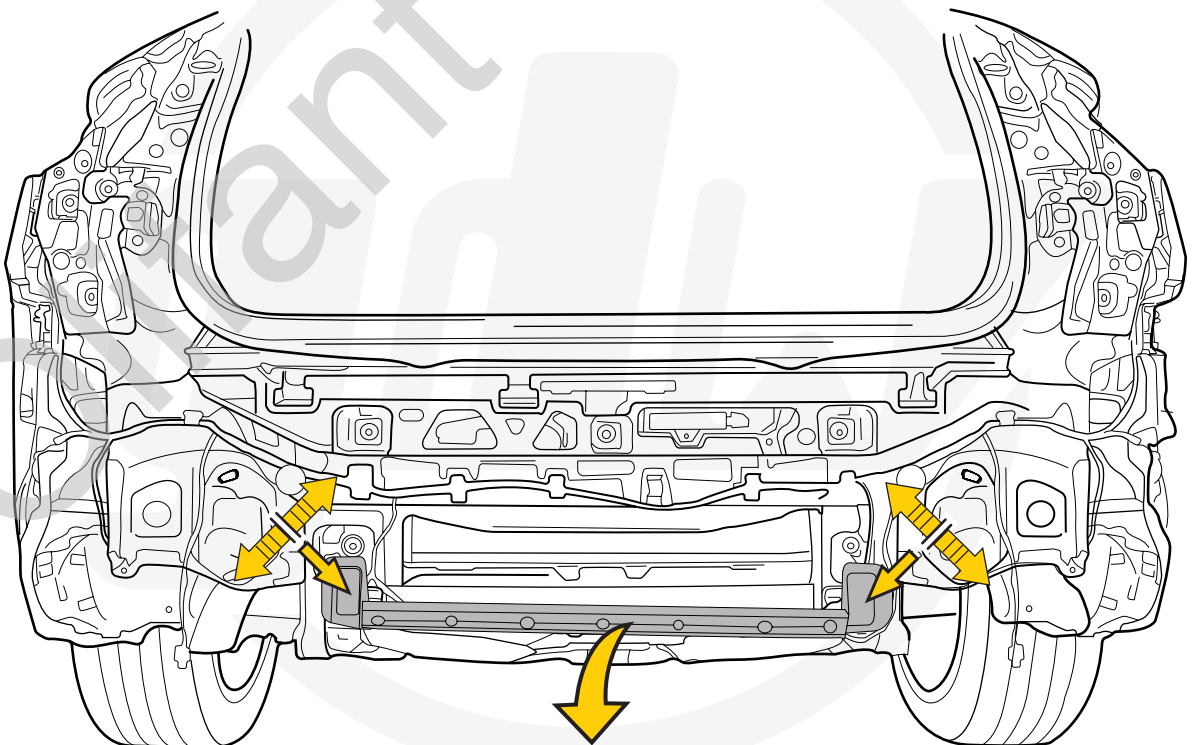


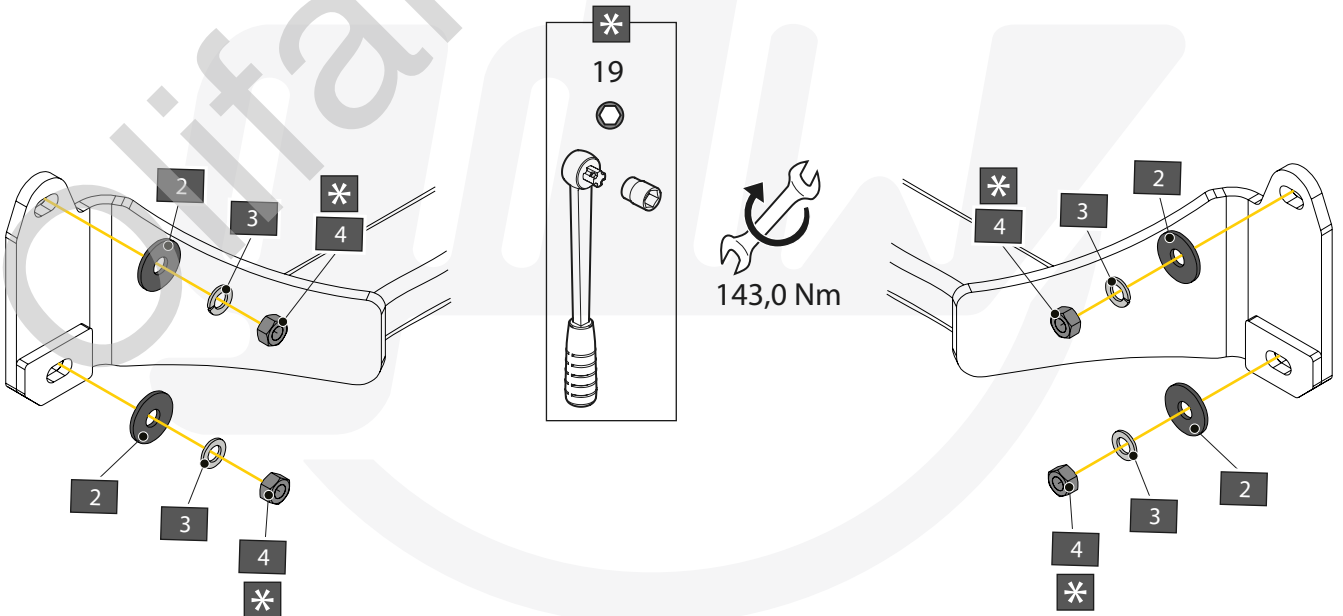
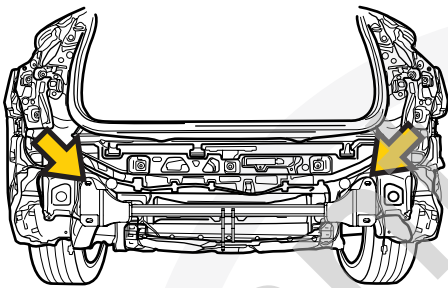
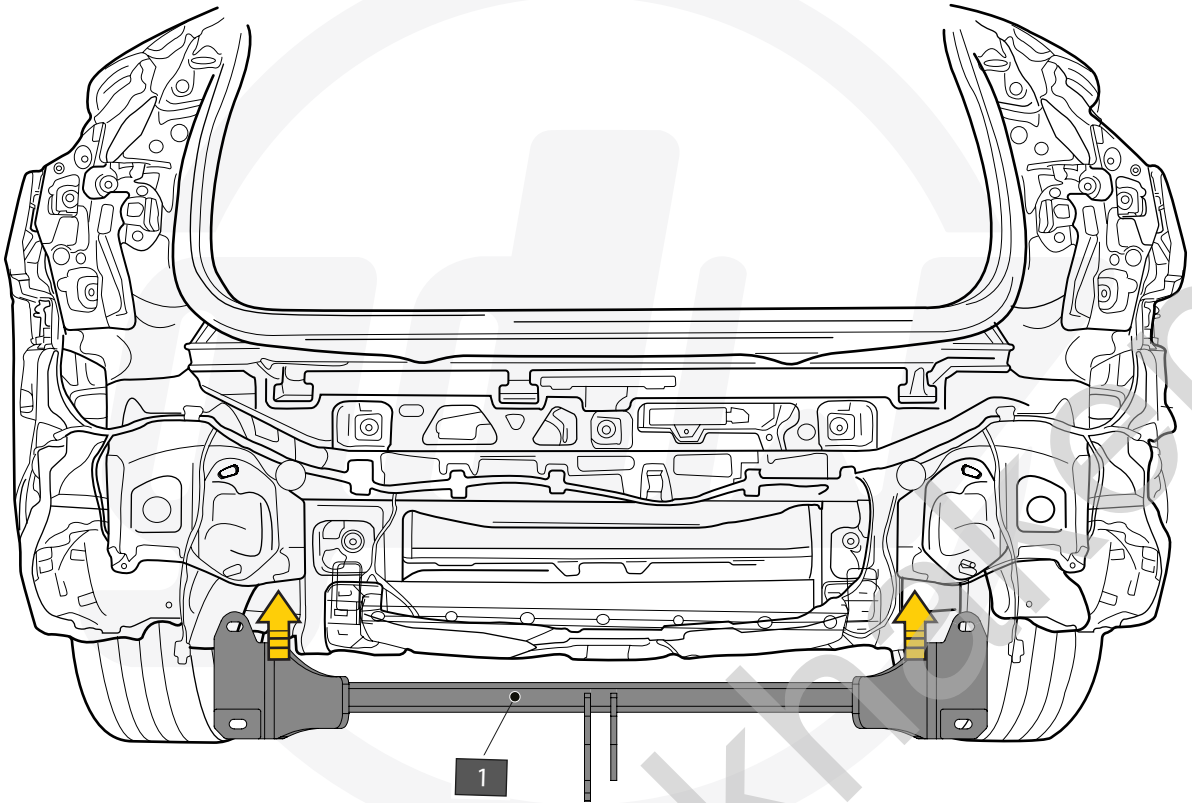
8



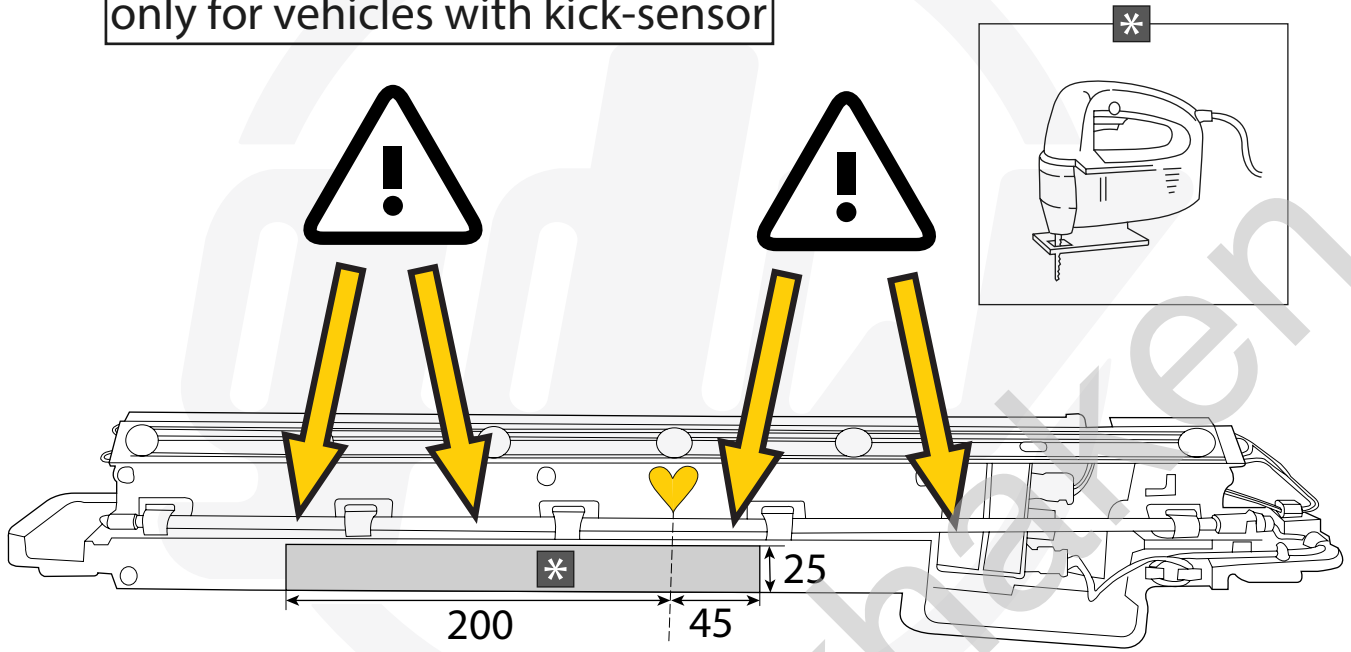


only for vehicles with kick-sensor

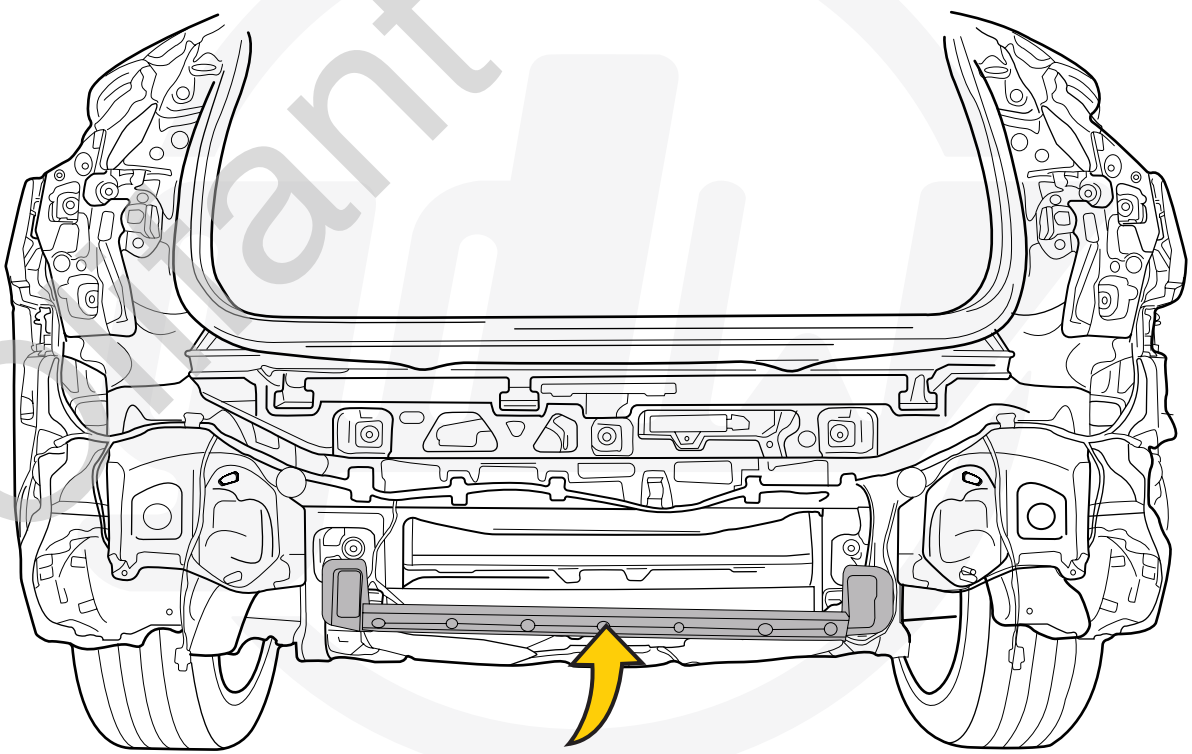




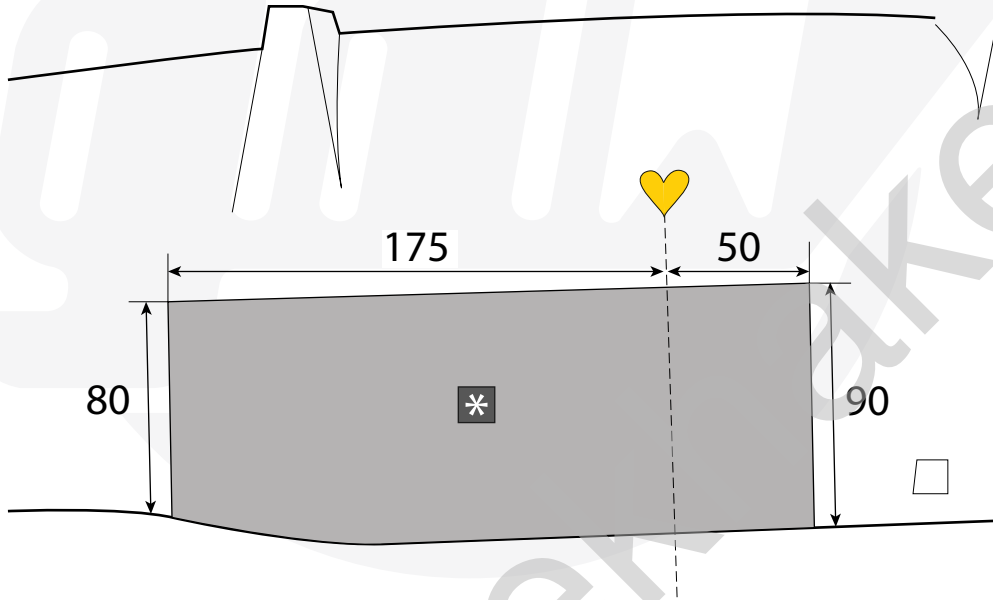
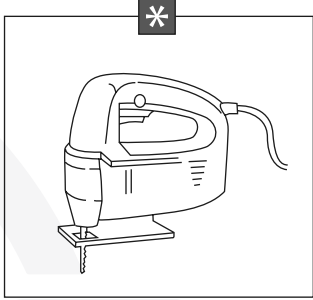
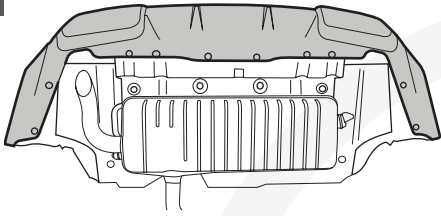
only for vehicles with kick-sensor



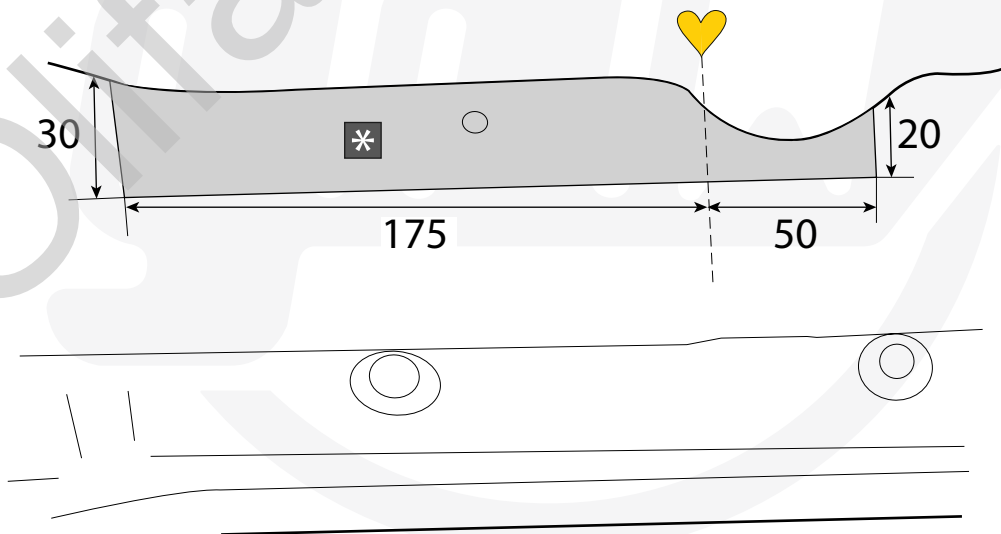
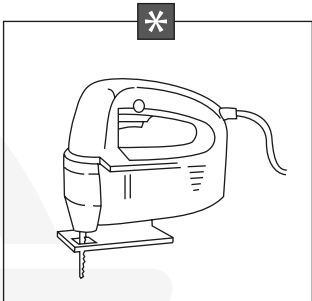
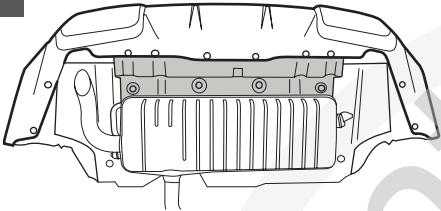
only for vehicles with kick-sensor

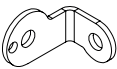




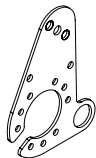



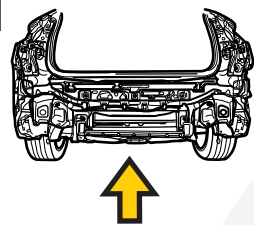
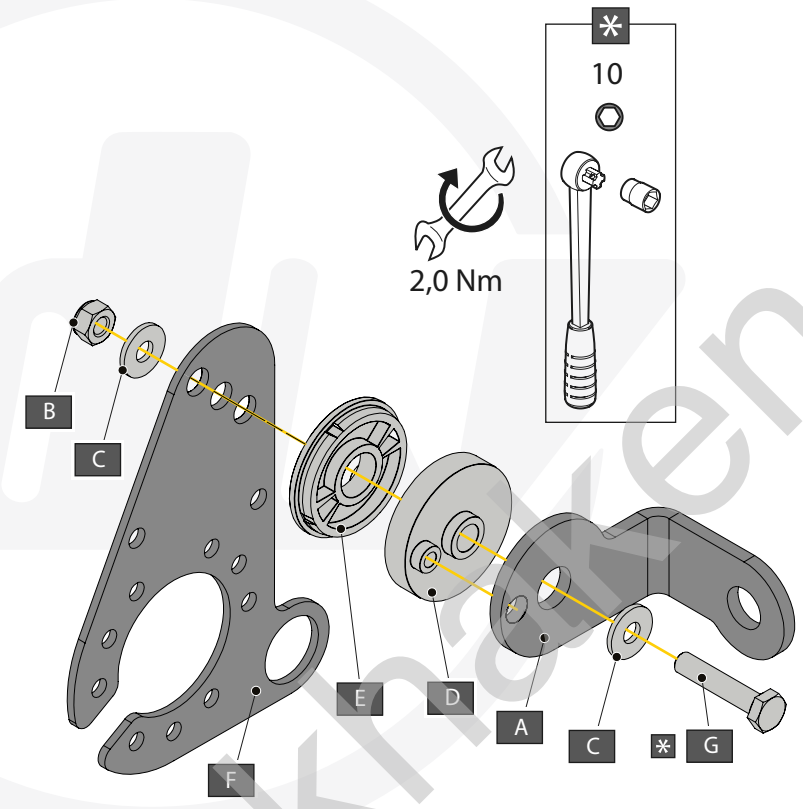
15








16



A		X1	GDW REF. 908.095
B		X1	DIN985-M6
C		X2	6,2 X 15,4 X 1,6 (NYLON)
D		X1	GDW REF. 718.16.002
E		X1	GDW REF. 718.16.003
F		X1	GDW REF. 908.094
G		X1	DIN933-M6 X 30



A		X1	GDW REF. 912.003
B		X3	DIN931-M12X110-8.8
C		X3	DIN128A-M12
D		X6	DIN125A-M12
E		X3	DIN934-M12

