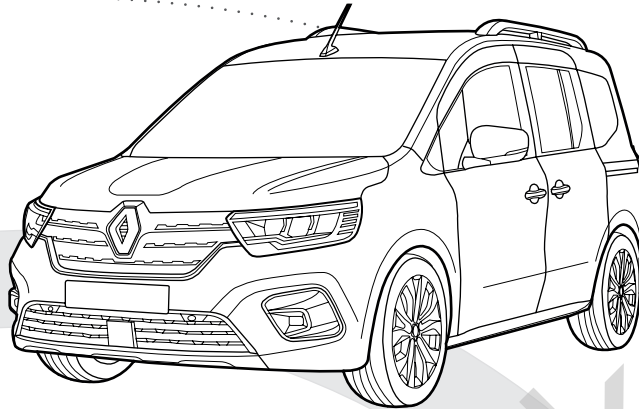




Renault Kangoo III

03/'21-

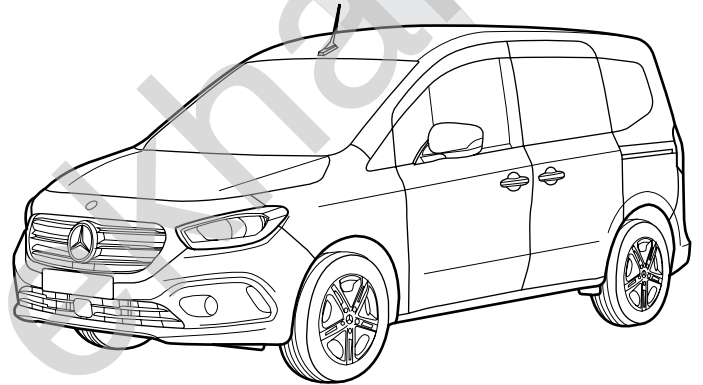
- ✓ STANDARD
- ✓ AD-BLUE
- ✓ E-TECH
- ✓ L1/L2



Mercedes Citan (type W420)

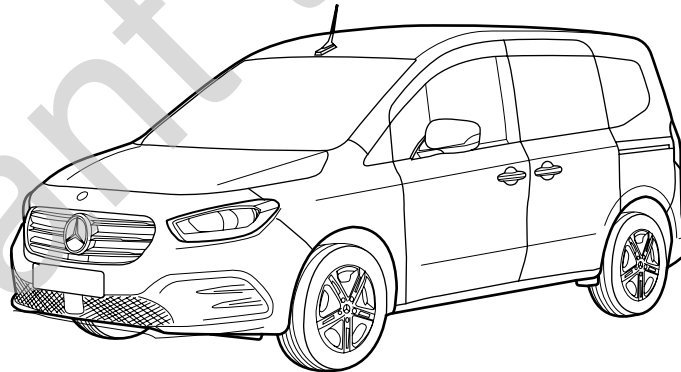
09/'21-

- ✓ STANDARD
- ✓ AD-BLUE
- ✓ L1/L2



Mercedes T-Class (type W420)

05/'22-

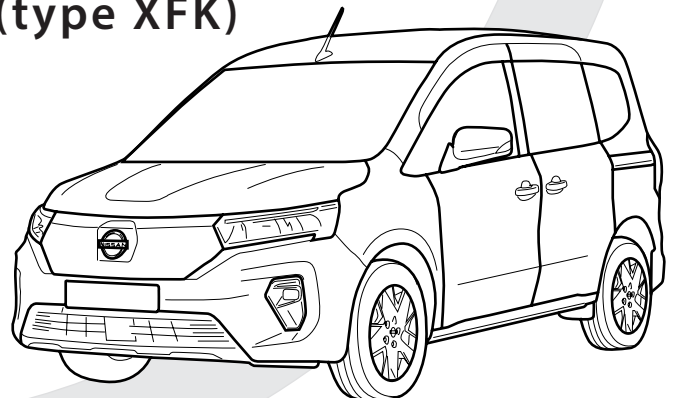


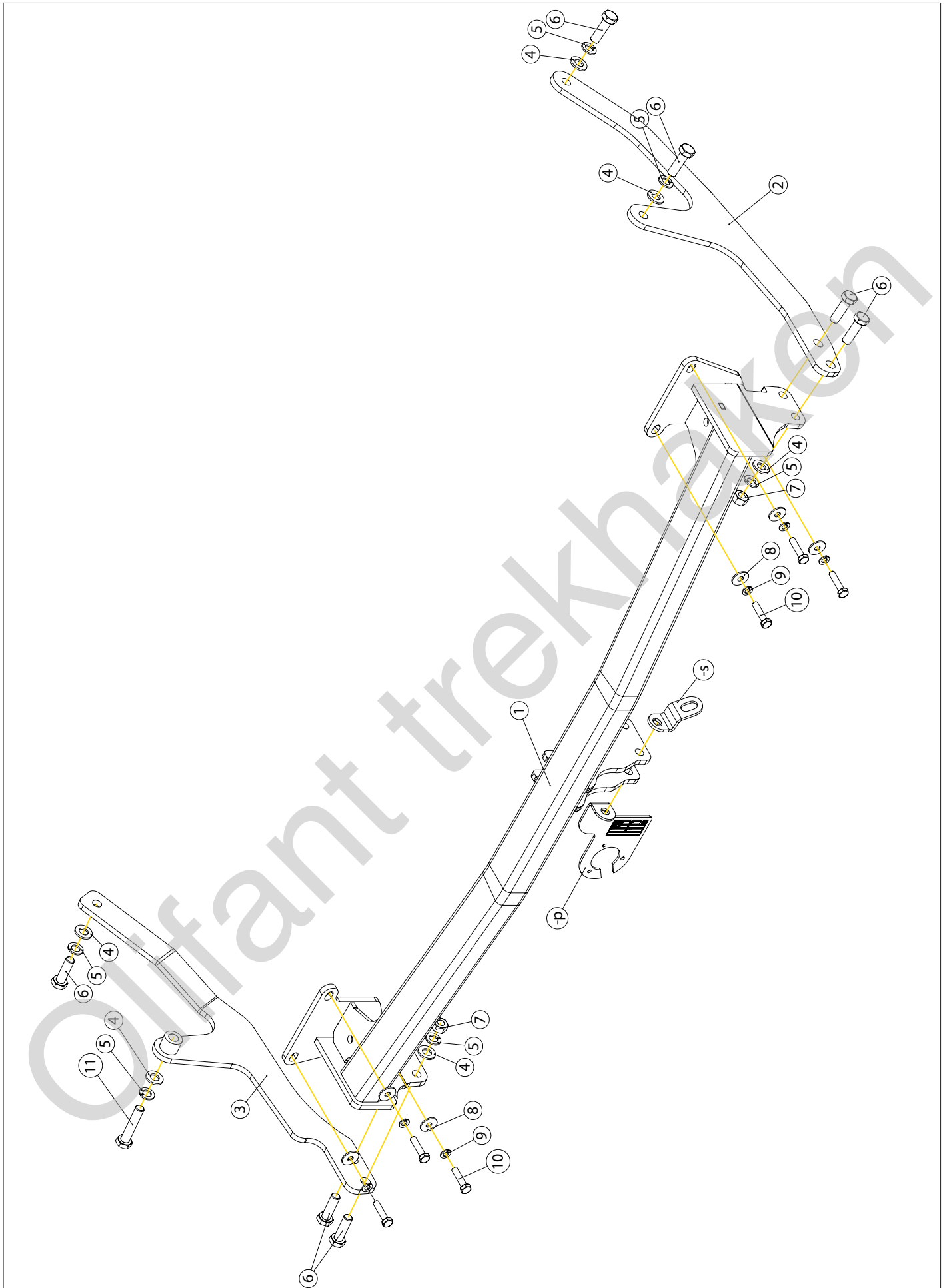
- ✓ STANDARD
- ✓ L1/L2

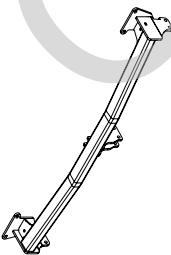
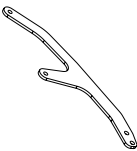
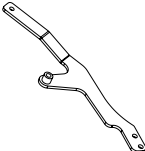









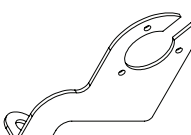
Nissan Townstar (type XFK)

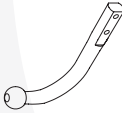
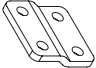



02/'22-


- ✓ STANDARD
- ✓ L1/L2



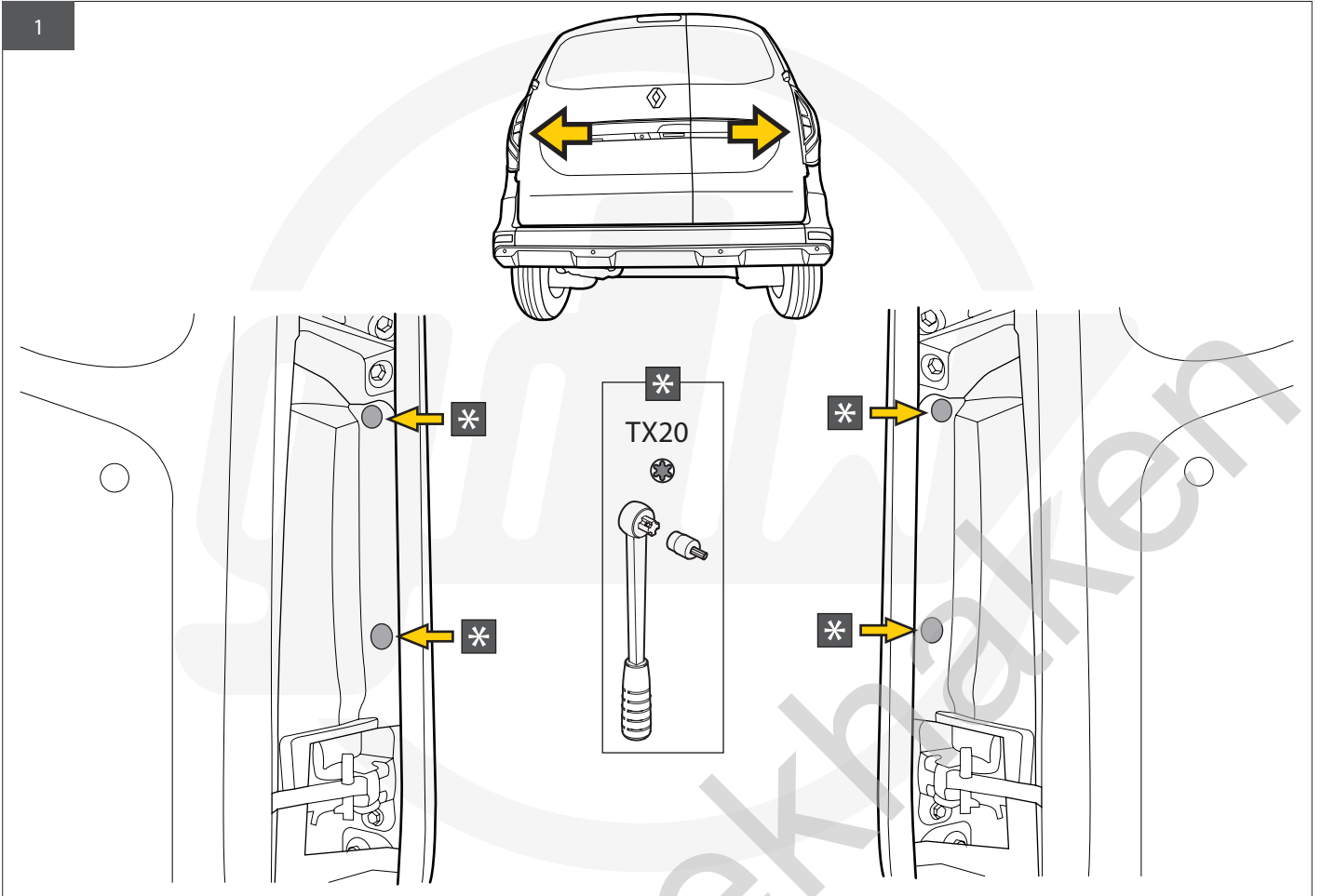


1		X1	GDW REF. 2793
2		X1	GDW REF. 2
3		X1	DIN9021-M12-ELVZ
4		X8	DIN125A-13X24X2,5
5		X8	GROWER VSK-M12
6		X7	DIN933-M12X40
7		X4	DIN934-M12
8		X6	DIN9021-8,4X24X2
9		X6	GROWER VSK-M8
10		X6	DIN933-M8X35
11		X1	DIN931-M12X60
-S		X1	GDW REF. 900.053
-P		X1	GDW REF.P04

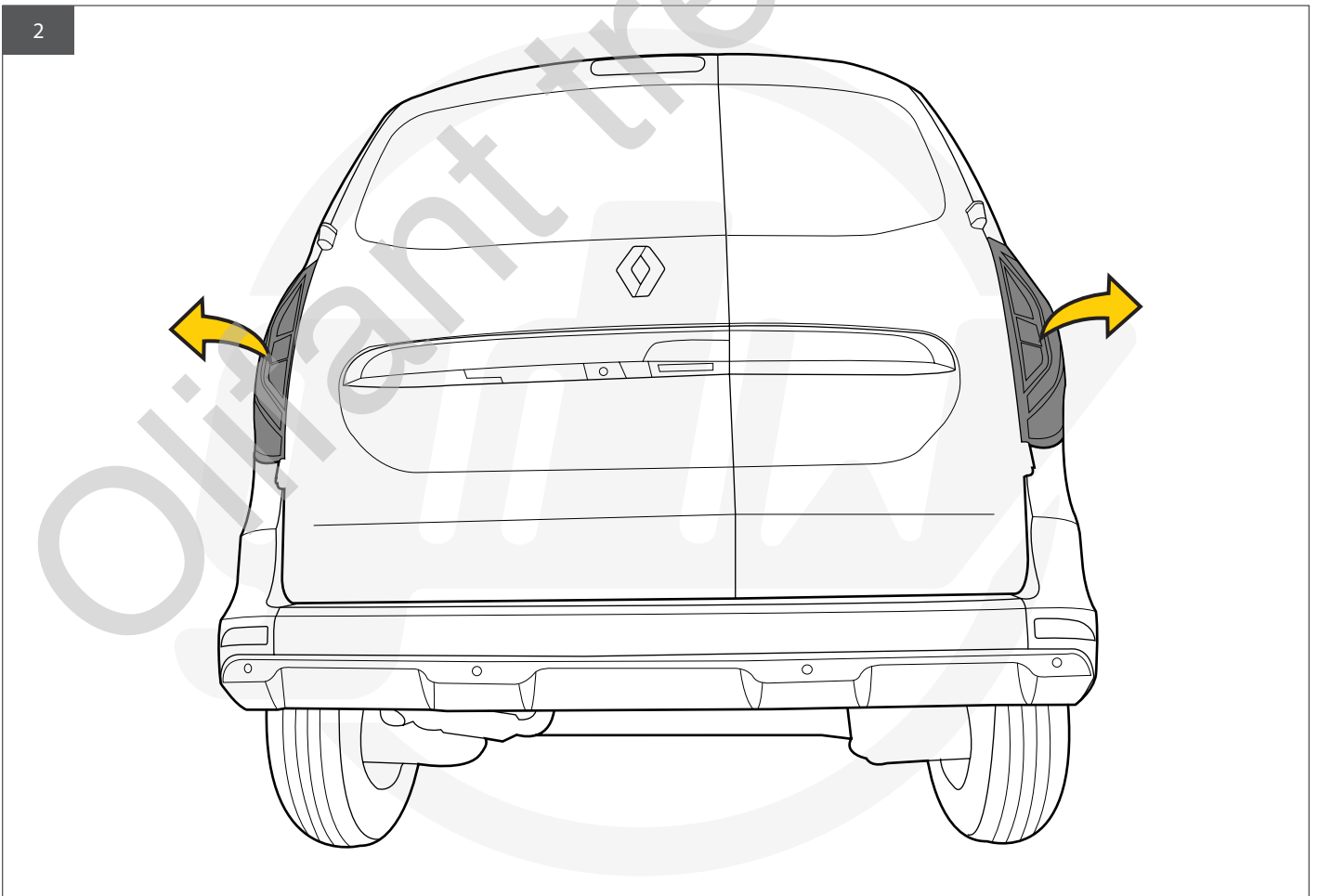
Geleverd met - Livré avec - Delivered with Geflevert mit - Elementos adjuntos - Leverages med		
	X1	944.M031
	X2	GDW REF. 900.008
	X2	GDW REF. 900.011 Ø 21.3 X 11.7
	X4	DIN931-M12 X 70
	X4	DIN985-M12

OPTION T36		
	X1	KIT36-2793

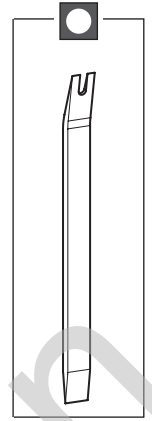
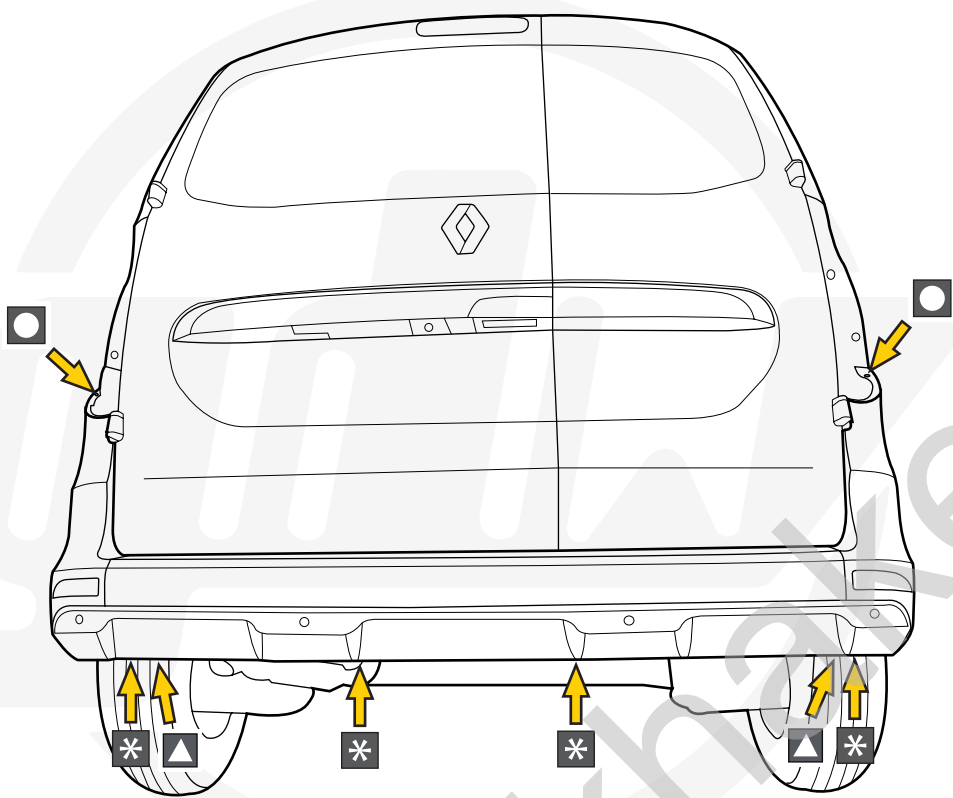
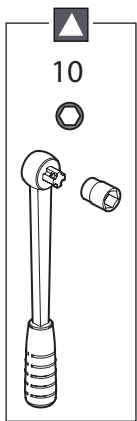
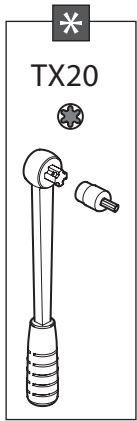
1



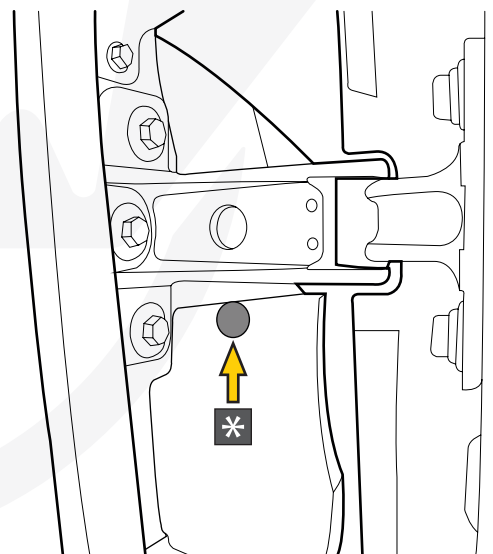
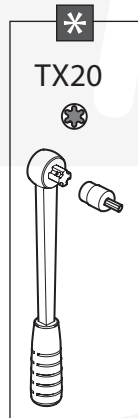
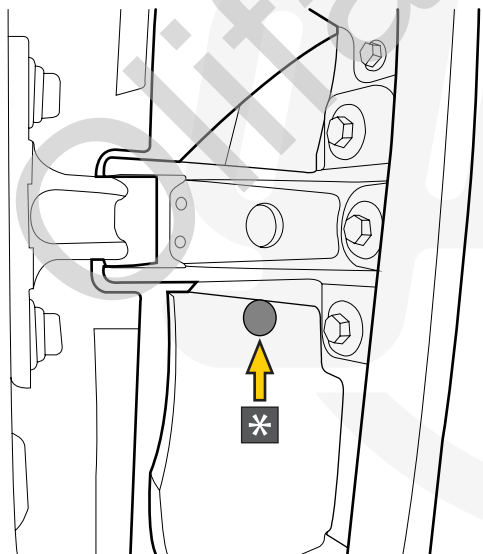
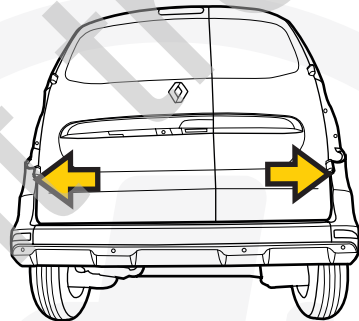
2

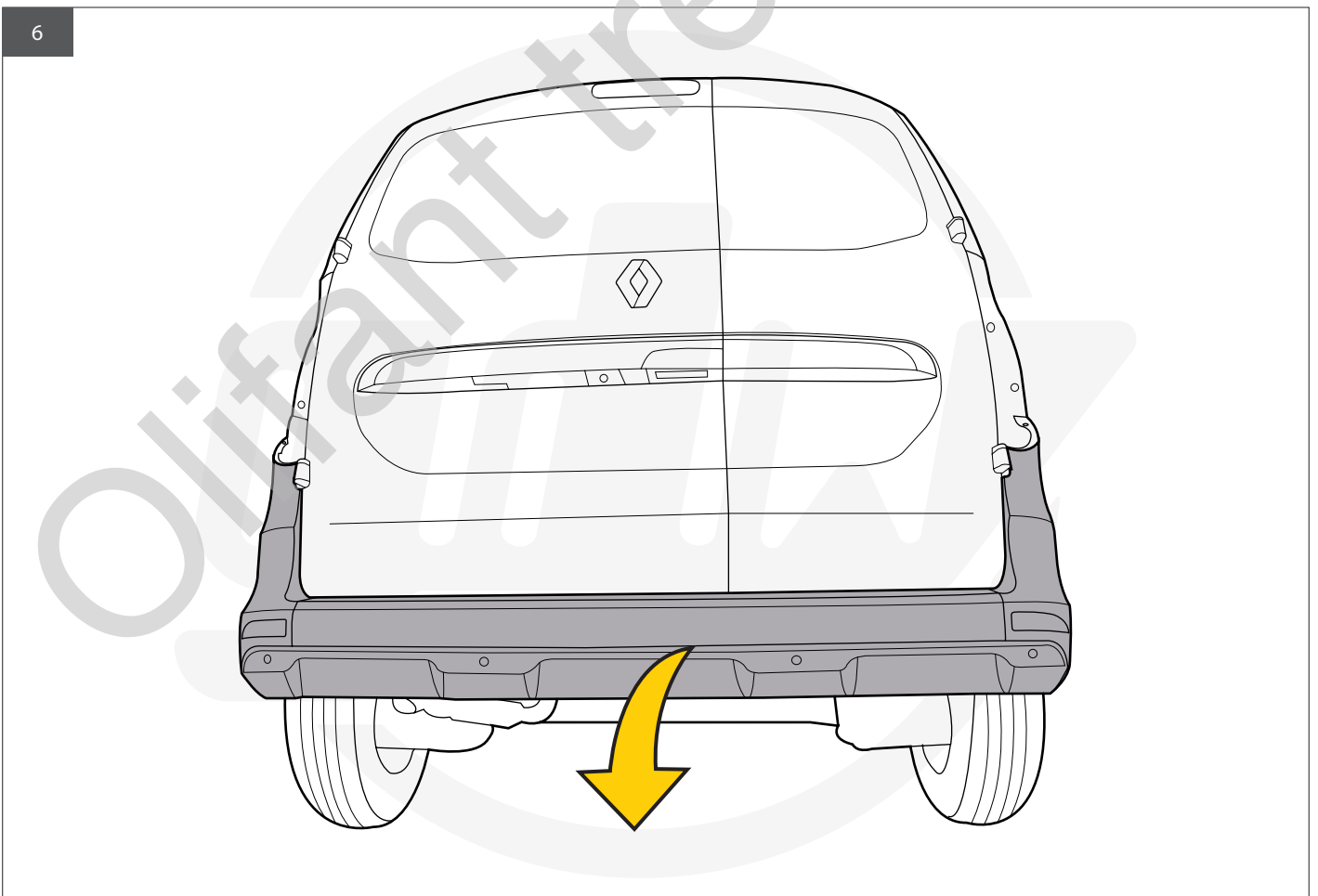
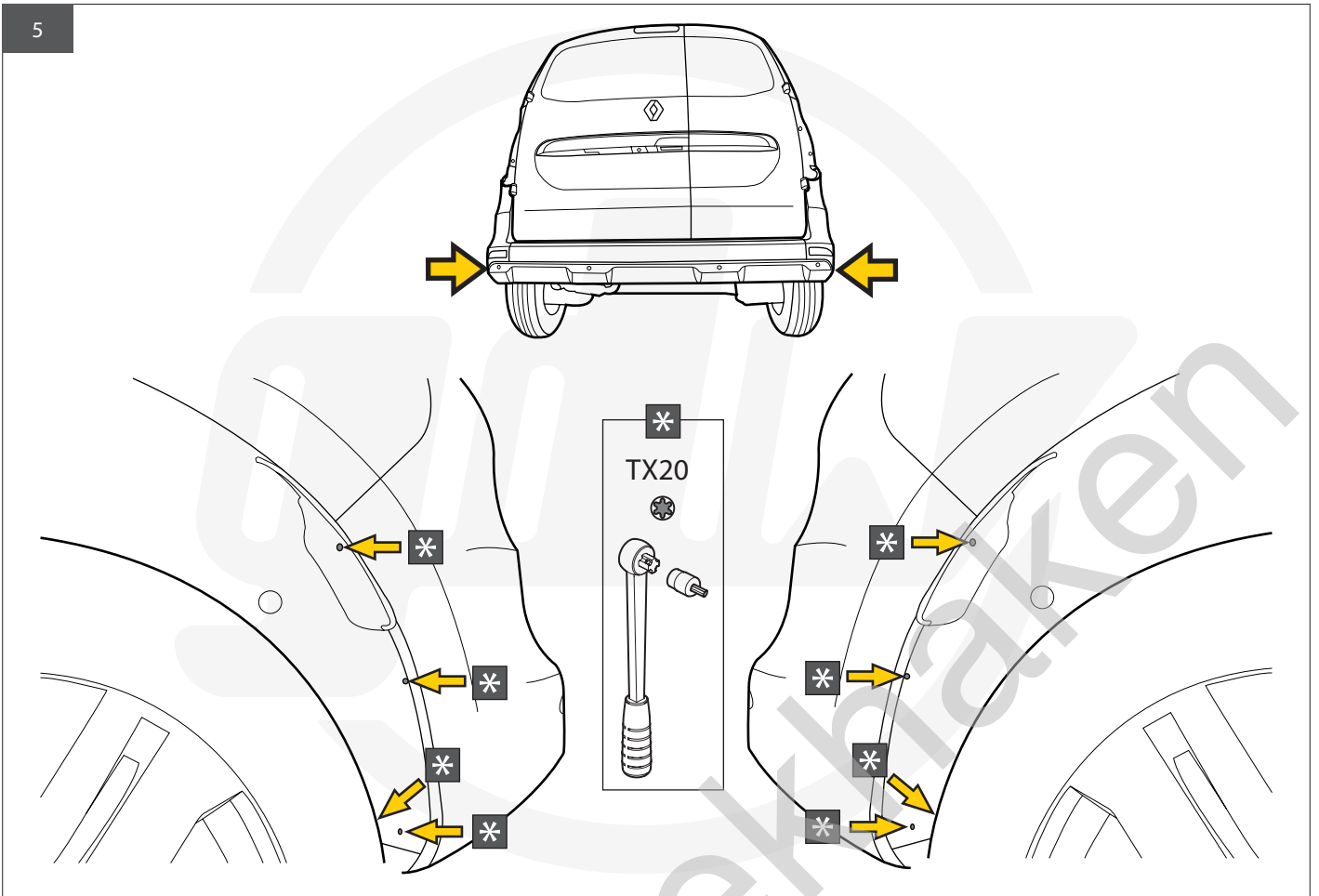


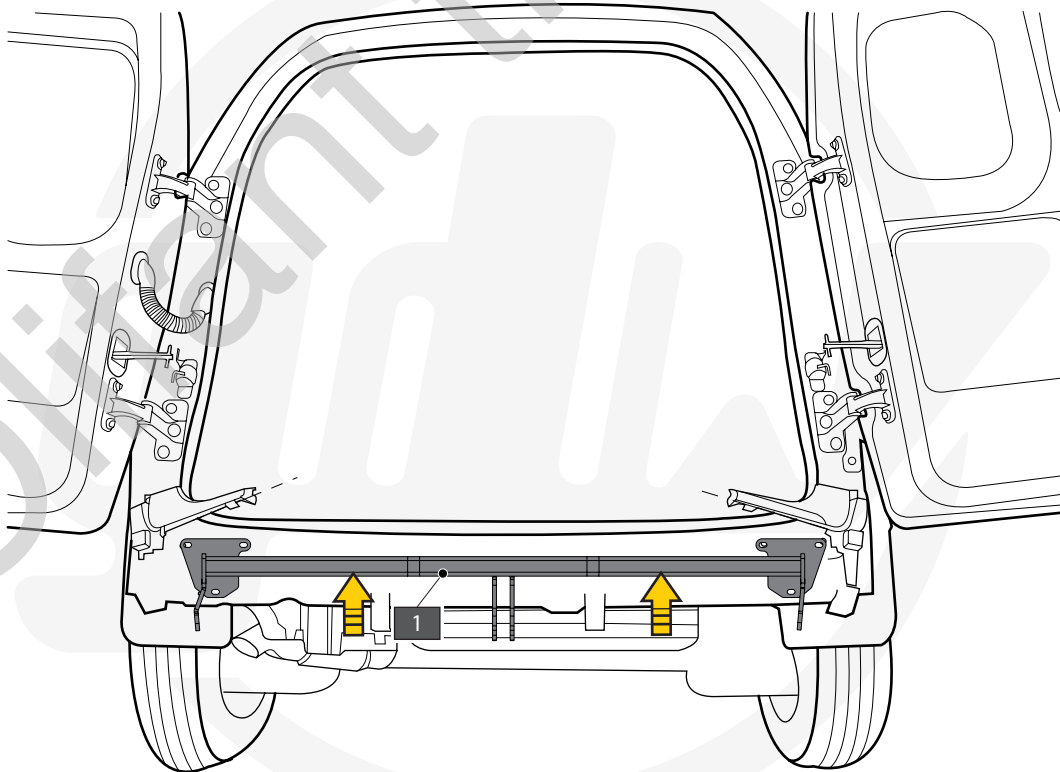
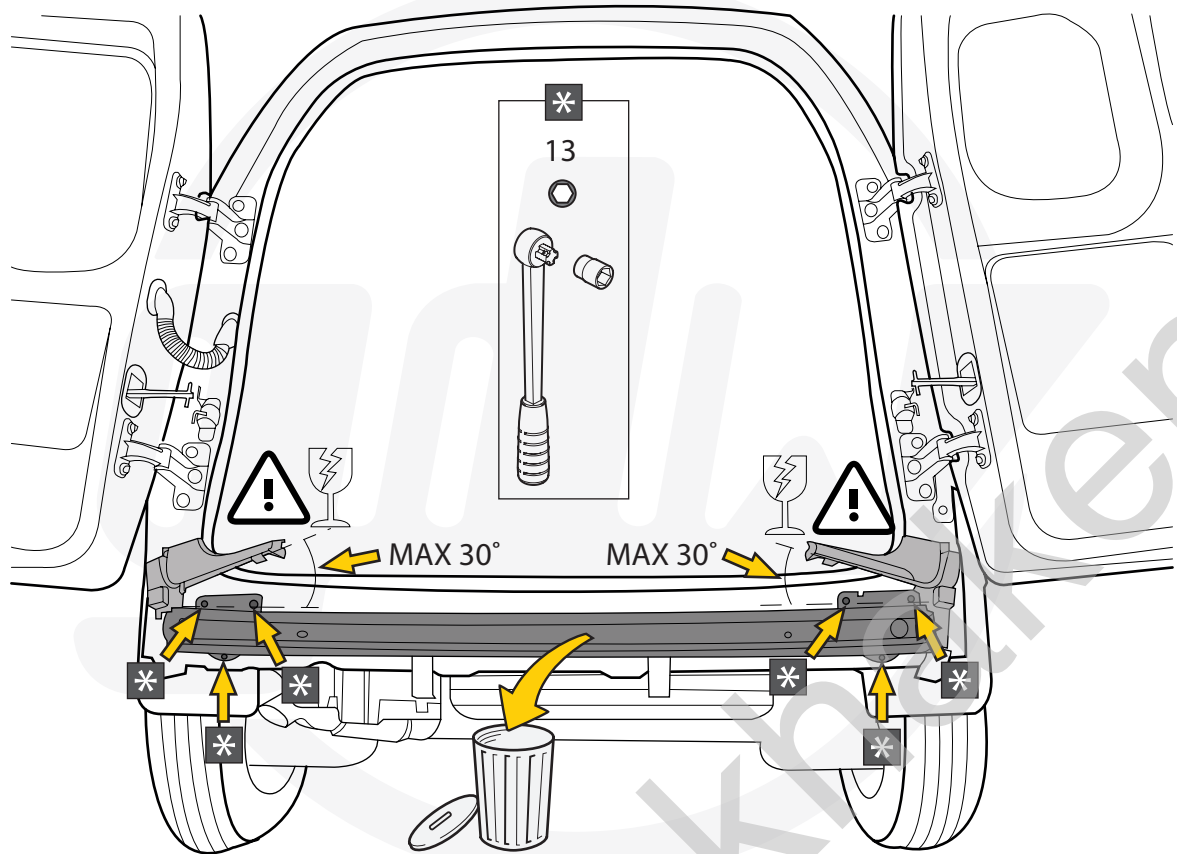
3

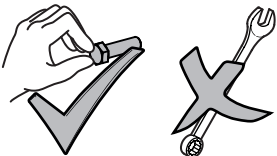
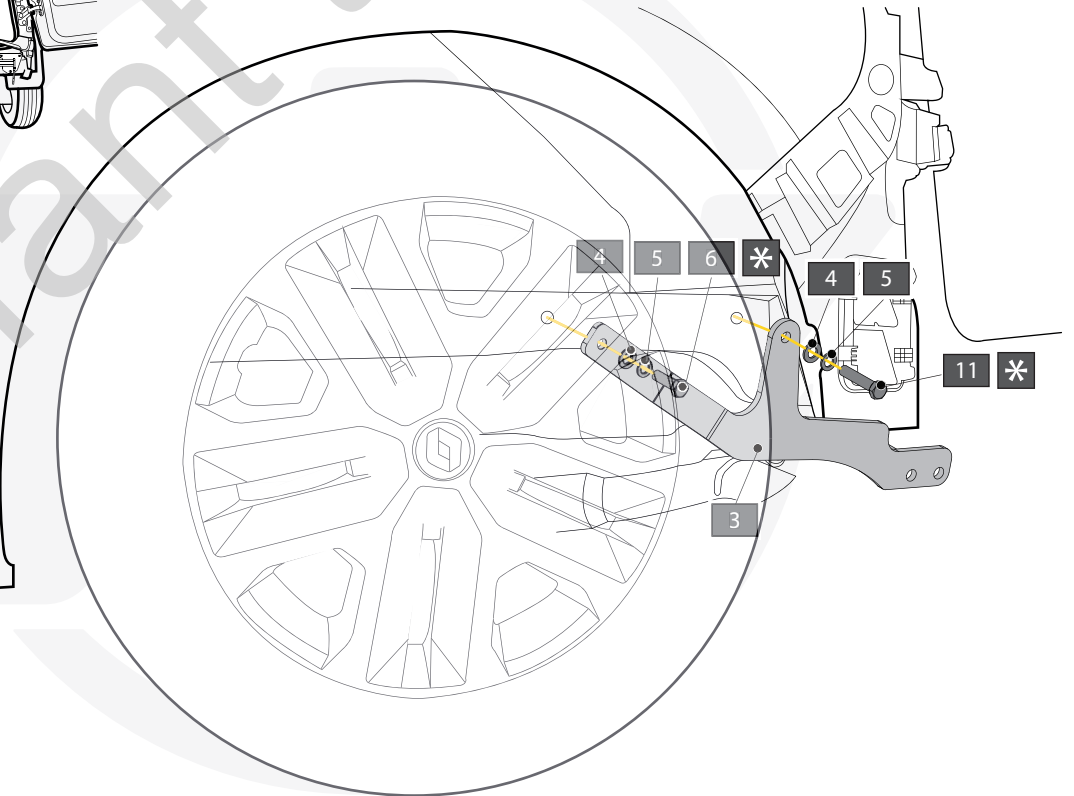
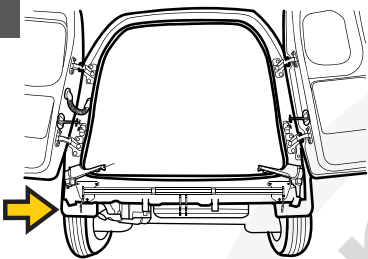
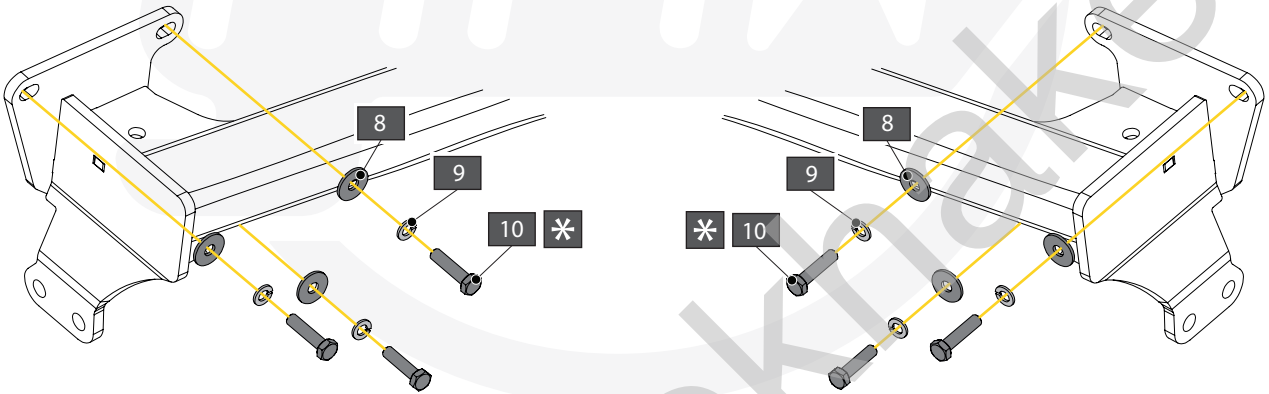
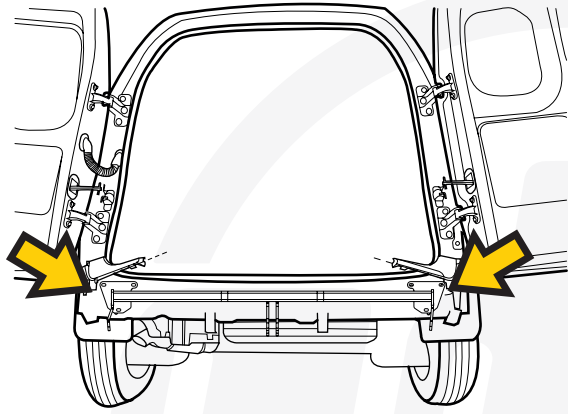


4

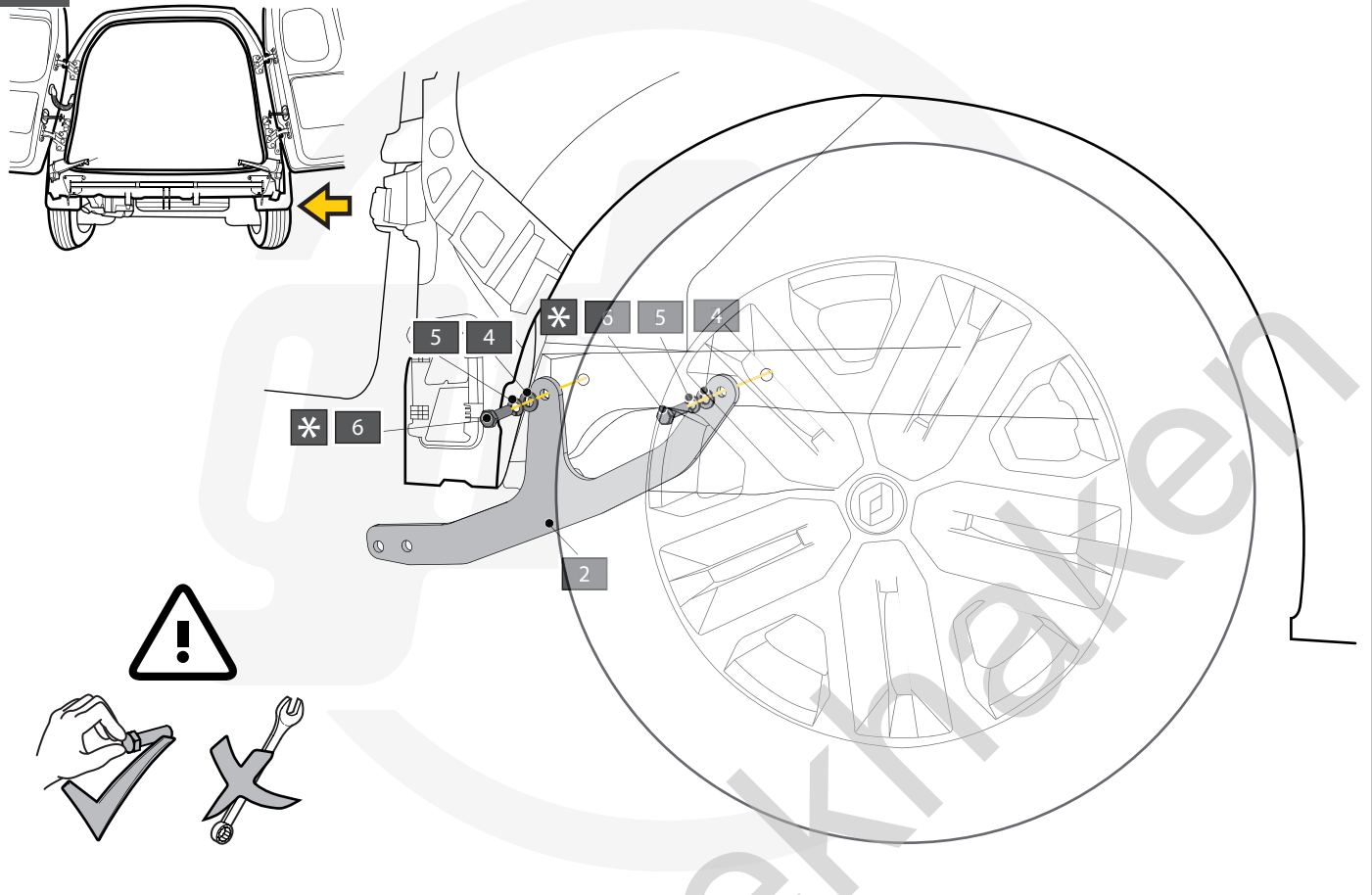




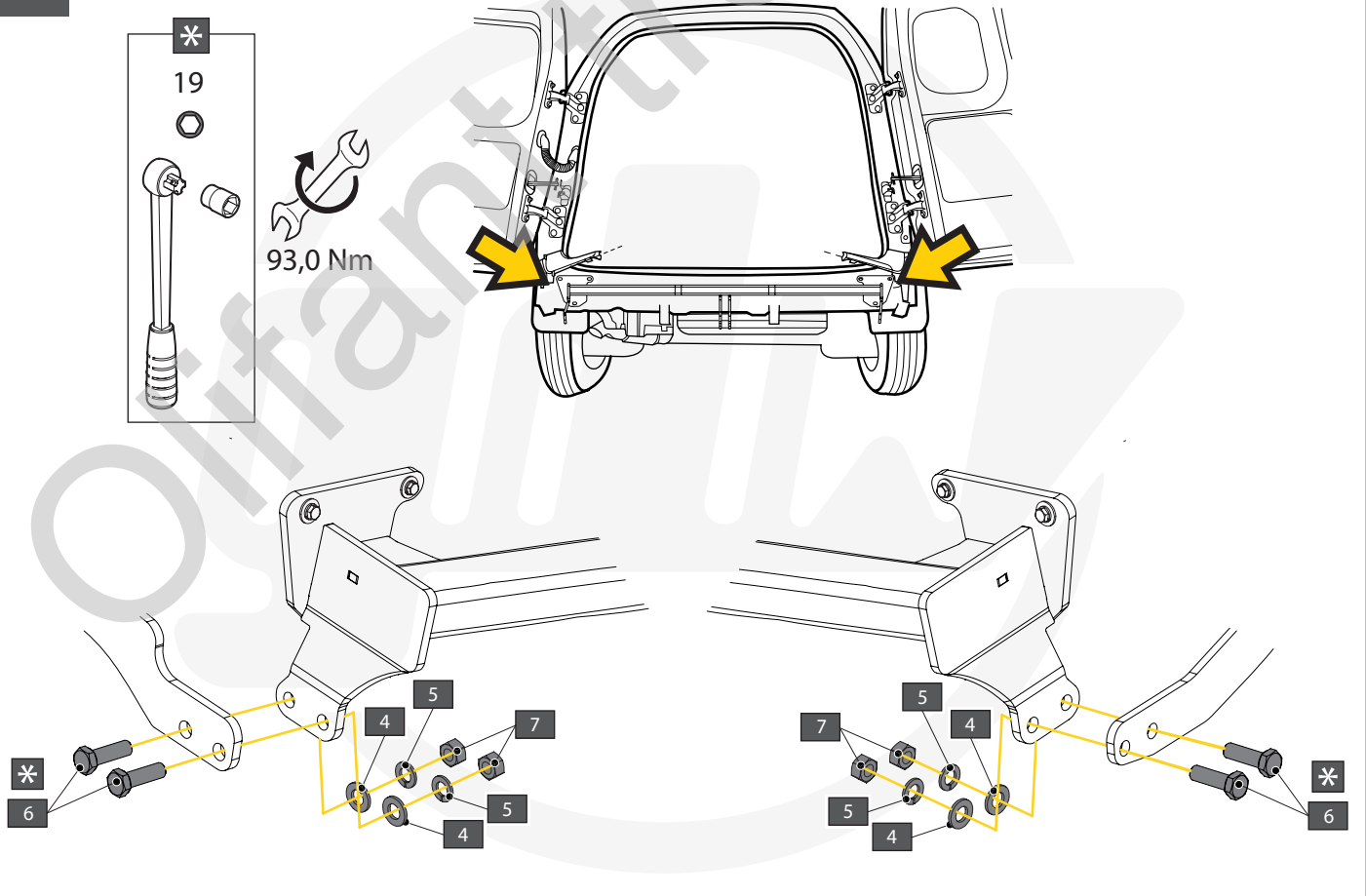


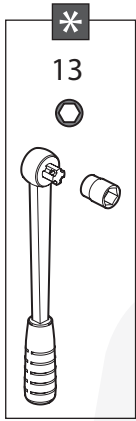


11

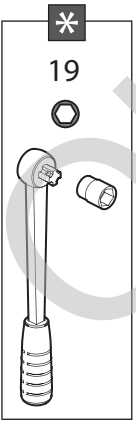
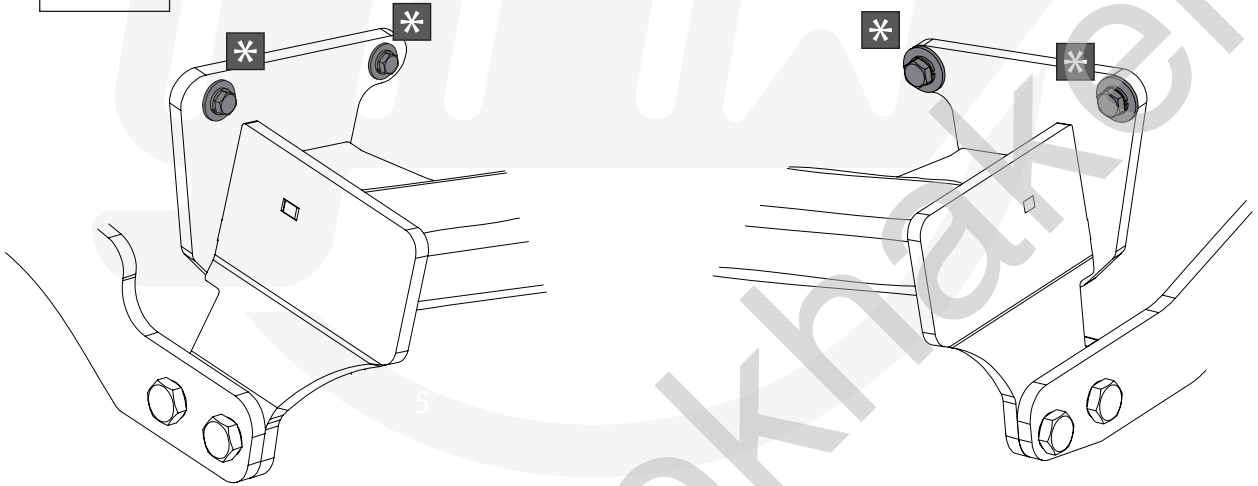
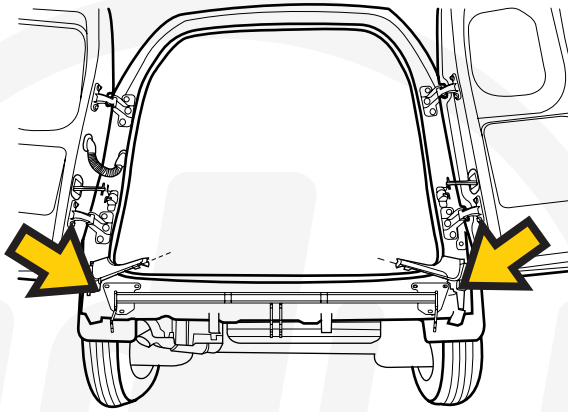


12

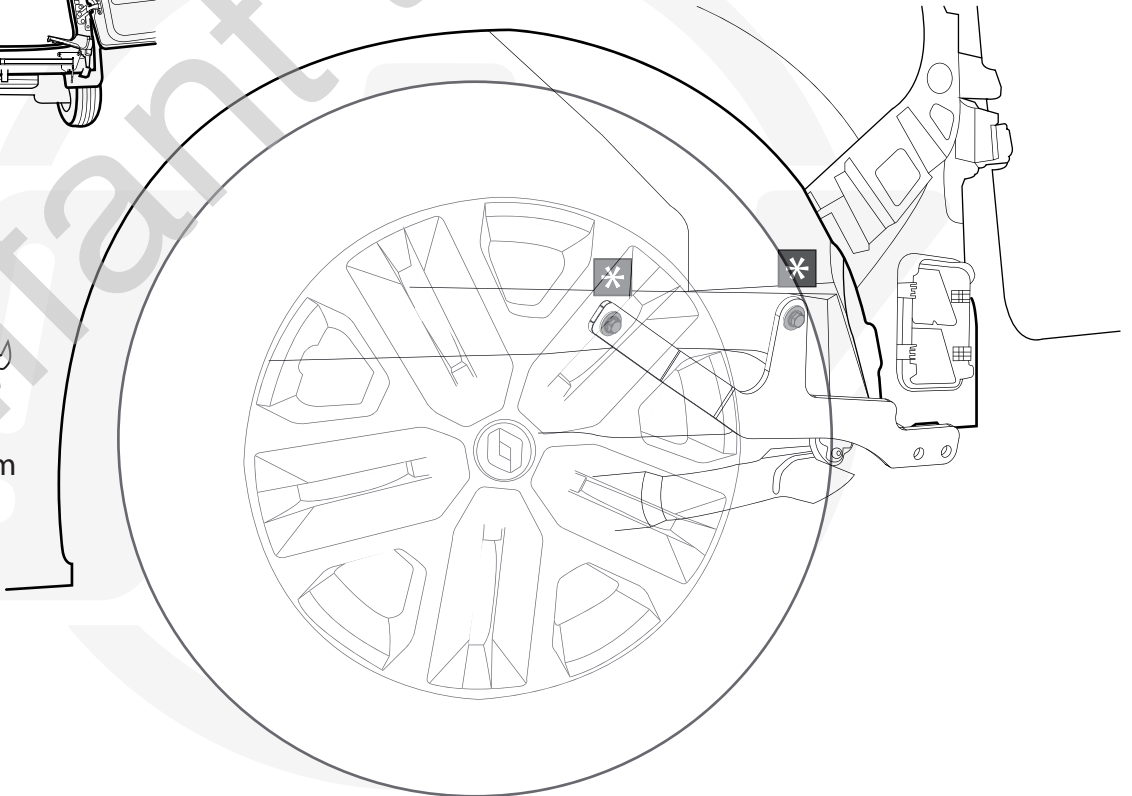
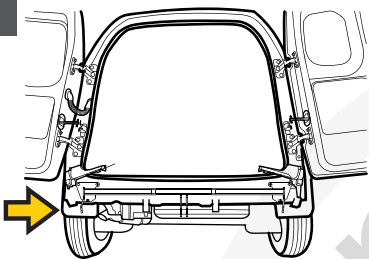


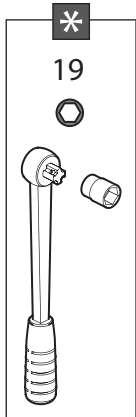
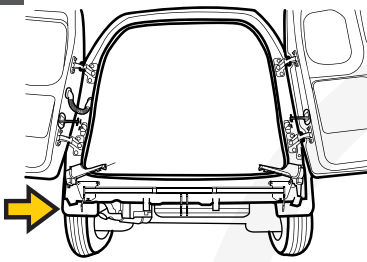


27,3 Nm



93,0 Nm



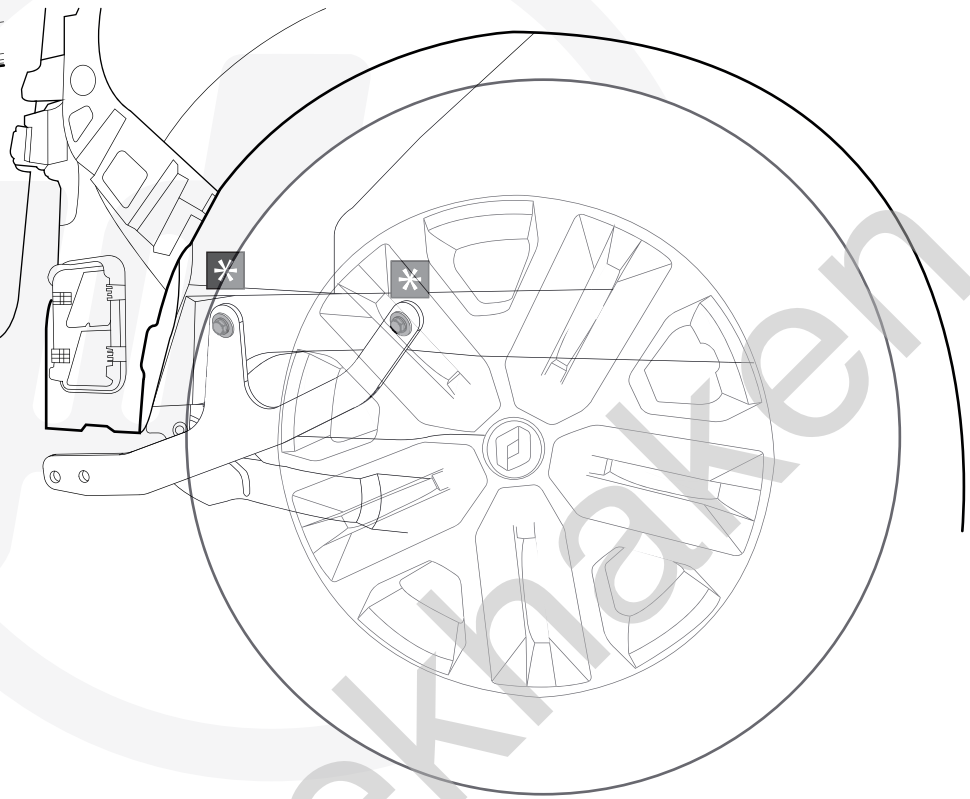


*

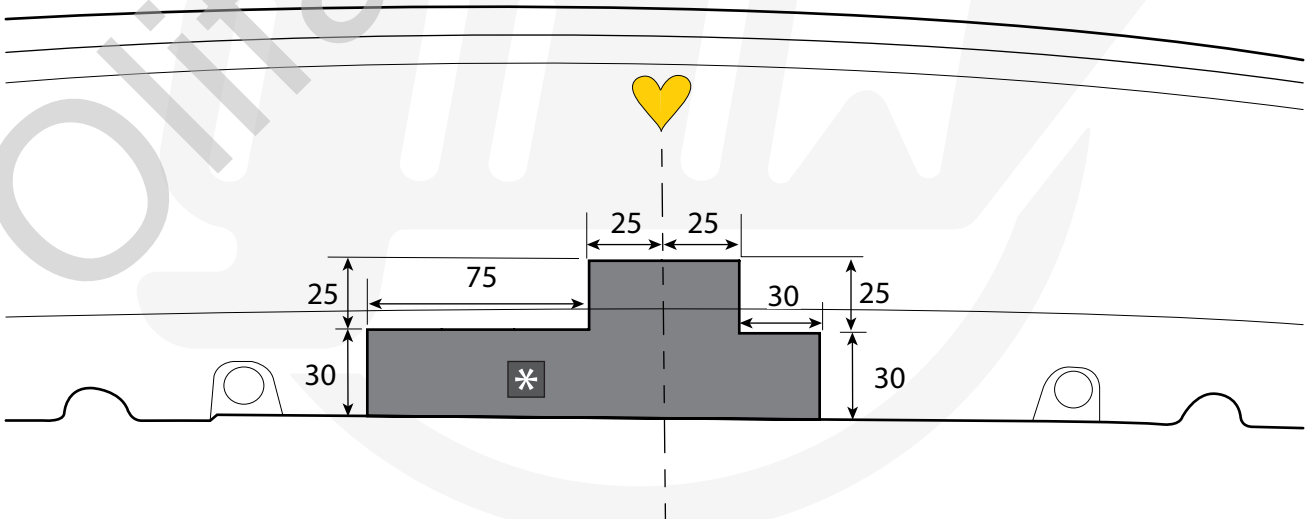
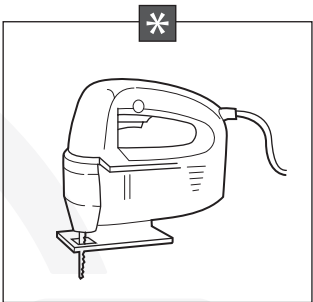
19



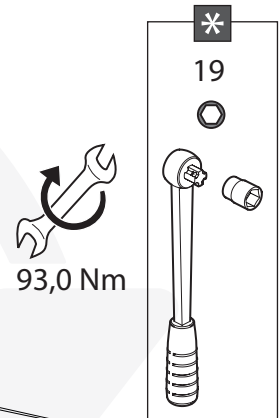
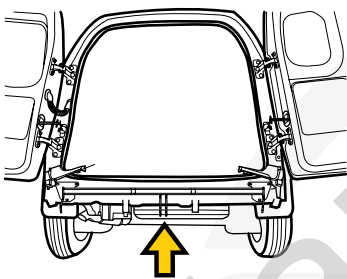
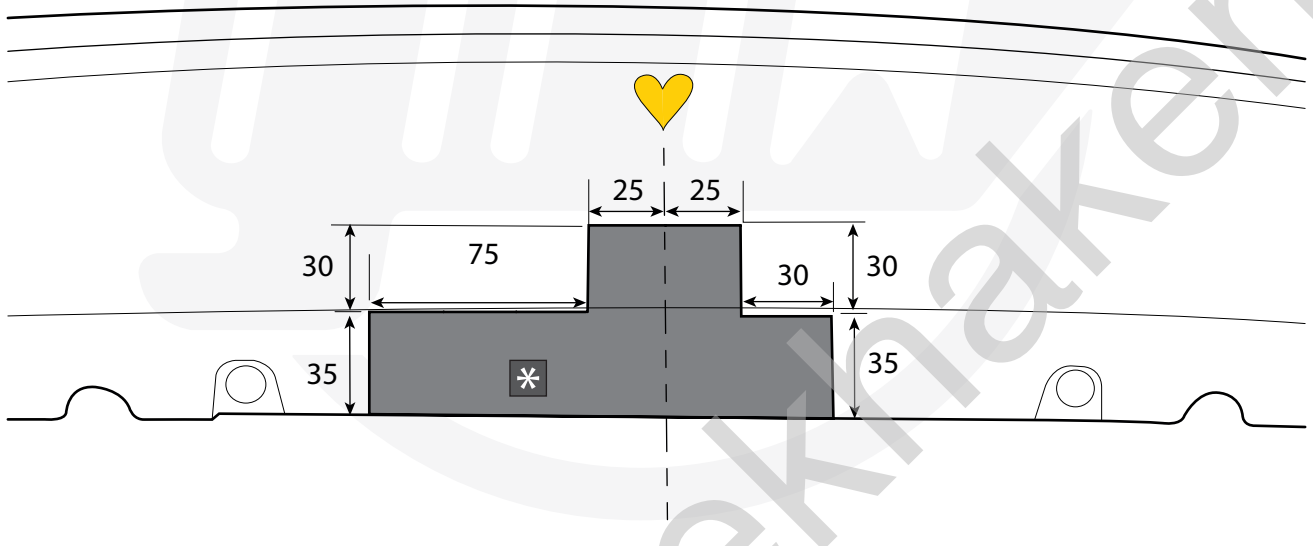
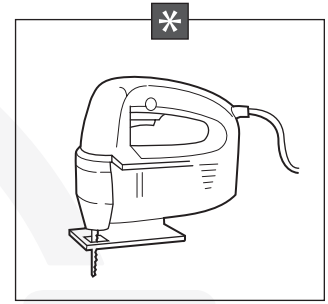
93,0 Nm



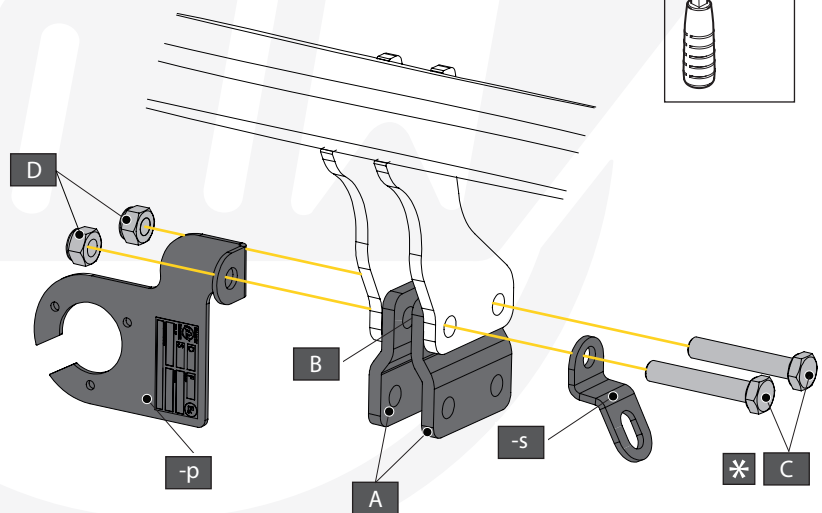
RENAULT KANGOO
MERCEDES T-CLASS

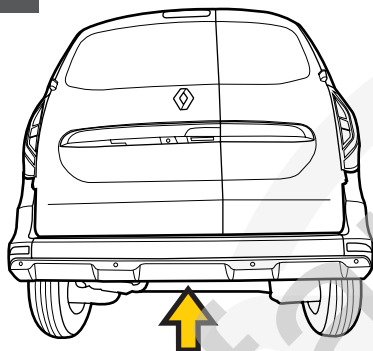
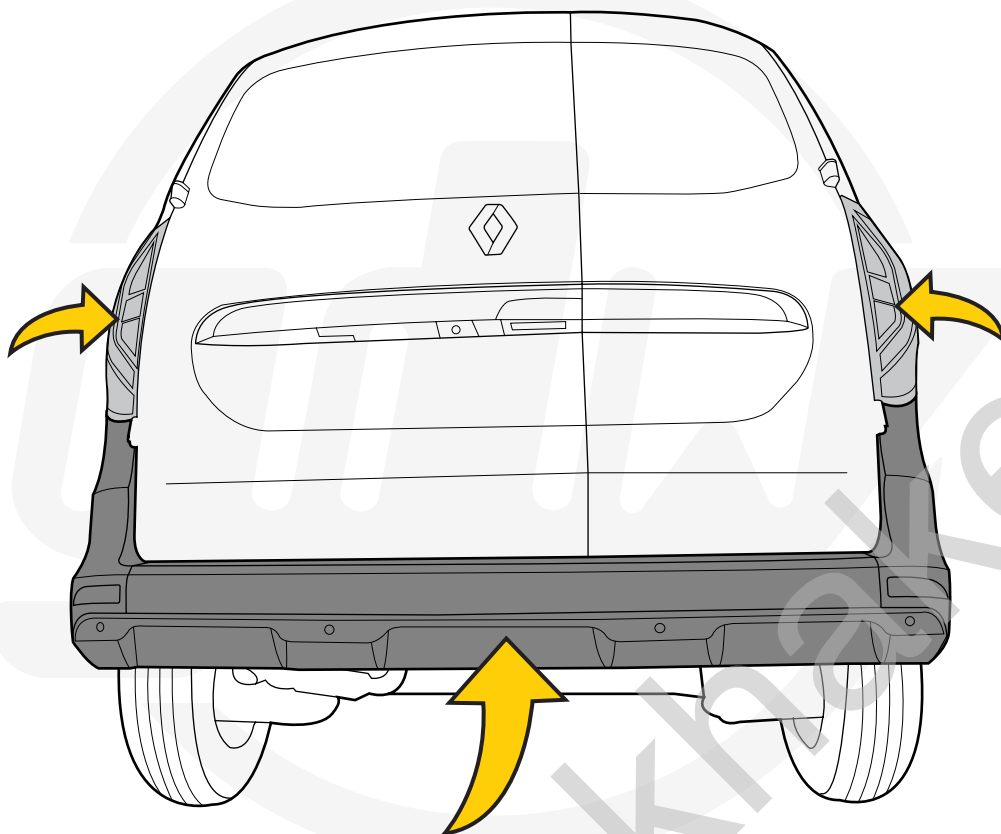


NISSAN TOWNSTAR MERCEDES CITAN

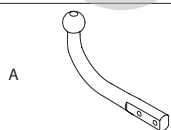
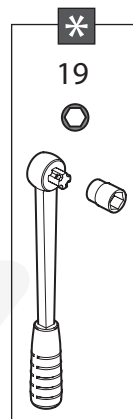


A		X2	GDW REF. 900.008
B		X2	GDW REF. 900.011 Ø 21.3 X 11.7
C		X2	DIN931-M12 X 70
D		X2	DIN985-M12
-S		X1	GDW REF. 900.053
-P		X1	GDW REF. PO4

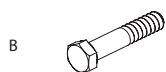




93,0 Nm



A X1 944.M031



B X2 DIN931-M12 X 70



C X2 DIN985-M12

