

AUTO-HAK Sp. z o.o.

ul. Słoneczna 16K 76-200 SŁUPSK
POLAND

tel/fax +48 59 8 414 414; +48 59 8 414 413

e-mail: office@autohak.com.pl

www.autohak.com.pl



AUTO-HAK

TOYOTA YARIS CROSS


Nr kat.


0103

 07.2021 →

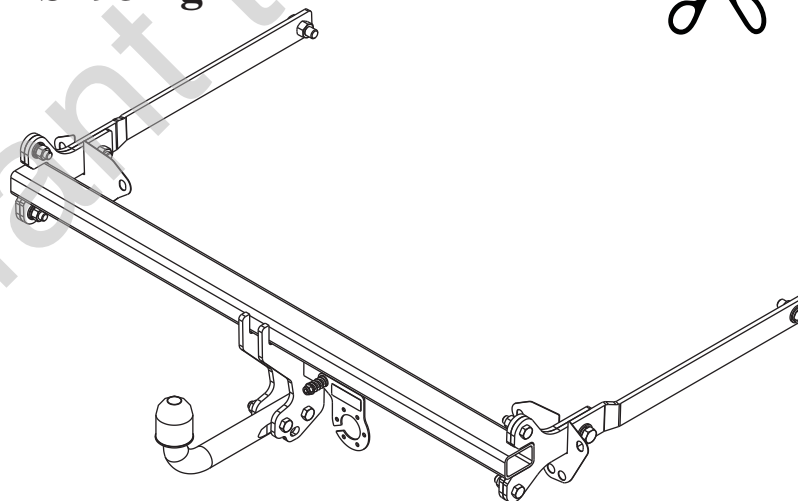
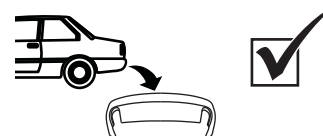
 E20-55R-02 6419

D 8,0 kN

 kg
R=1500 kg

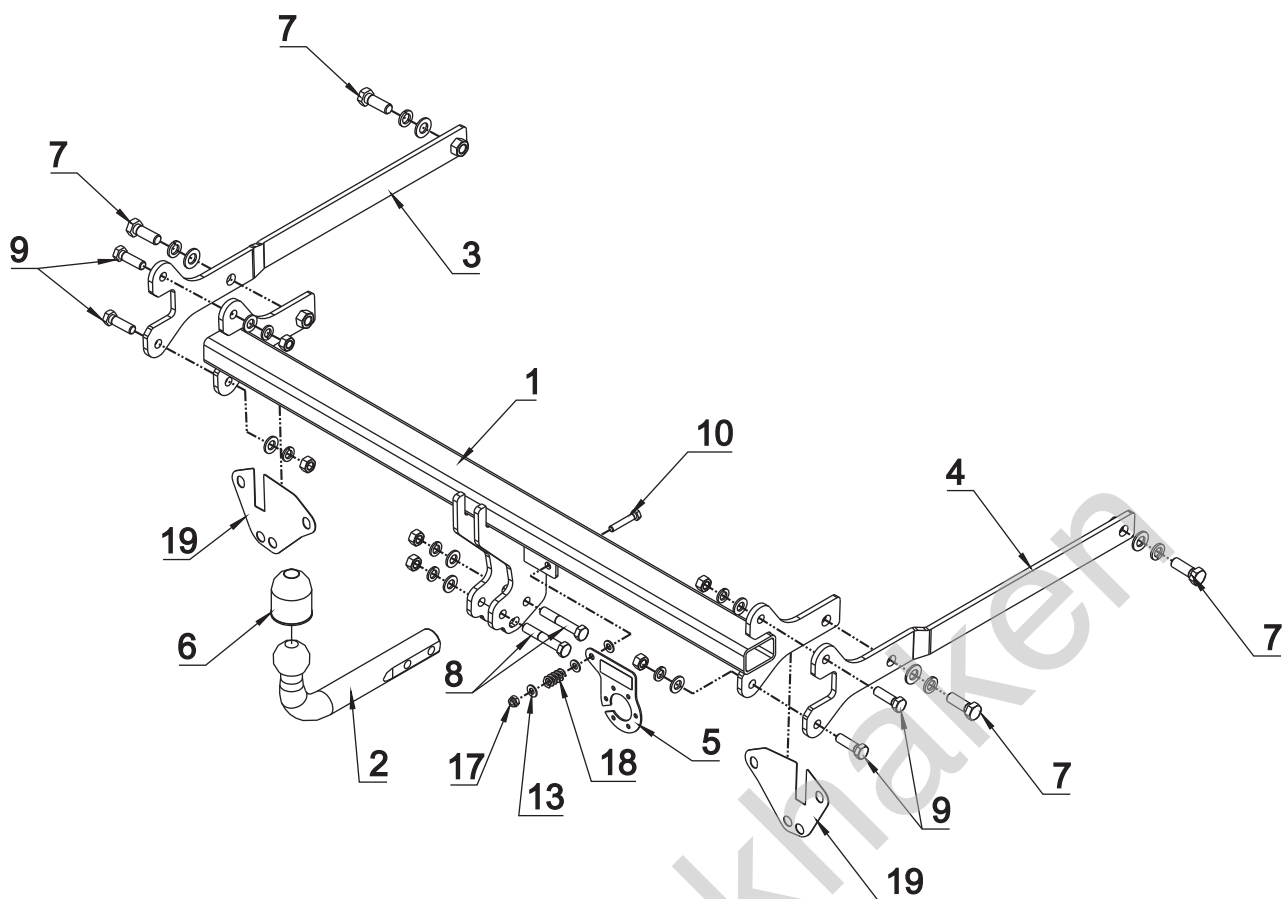

S=95 kg

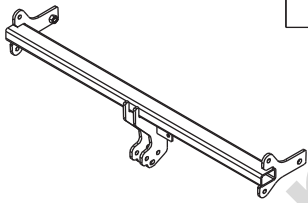
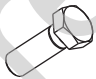










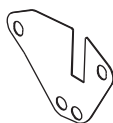
 1,5 h



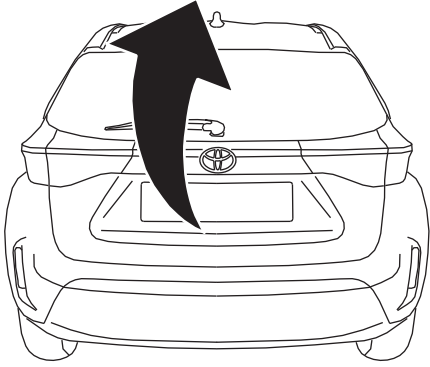
śruba	Nm	M6	M8	M10	M12	M14	M16
klasa 8.8		9,9	24	48	83	132	200
klasa 10.9		14	34	67	117	185	285

 0 km →  1000 km

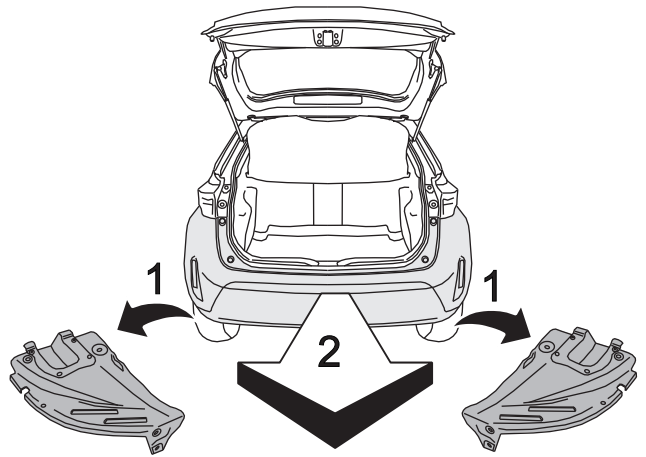


1		x1		7	M14x40	x4
				8	M12x70	x2
				9	M12x40	x4
				10	M8x45	x1
2		x1 Art.nr-KL10103		11	∅ 15	x4
				12	∅ 13	x6
				13	∅ 8.4	x3
3		x1		14	∅ 14.2	x4
				15	∅ 12.2	x6
4		x1		16	M12	x6
5		x1 Art.nr-BL10103		17	M8 (DIN985)	x1
6		x1	18			x1
			19			x2

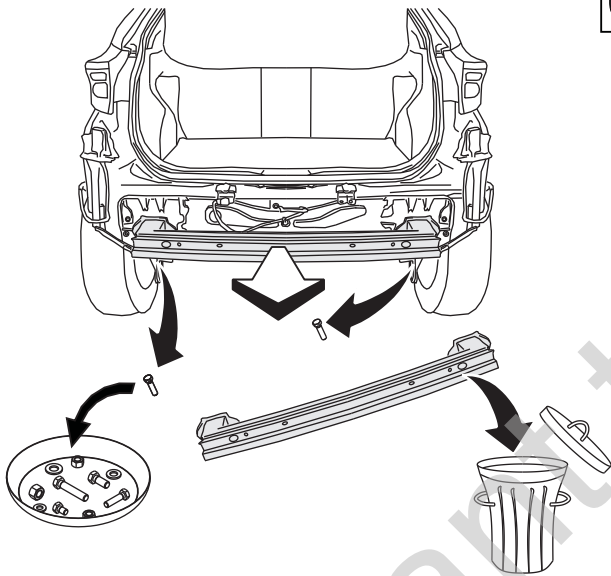
01



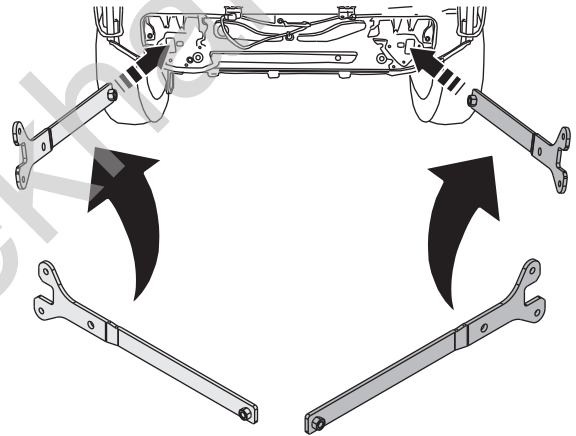
02



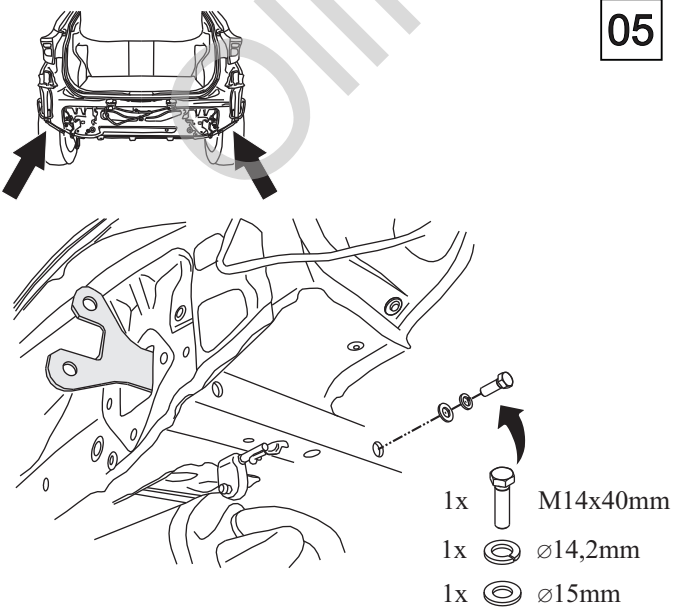
03



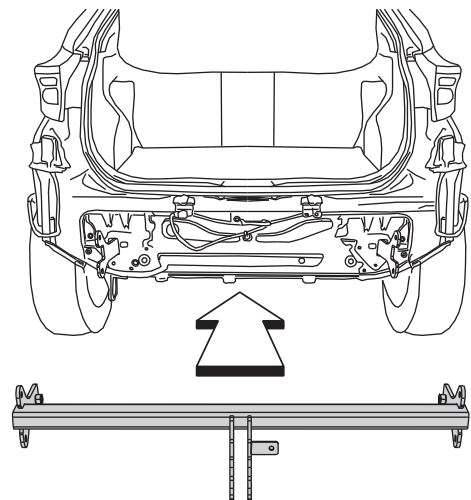
04

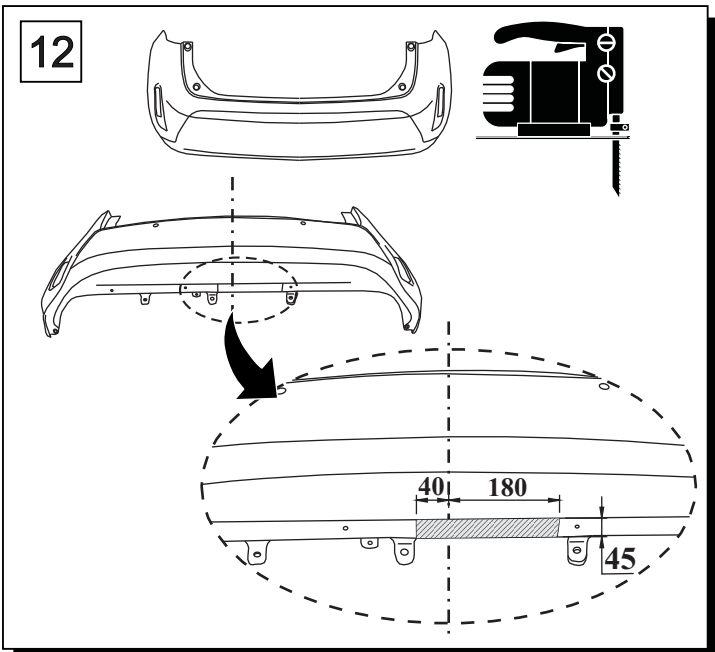
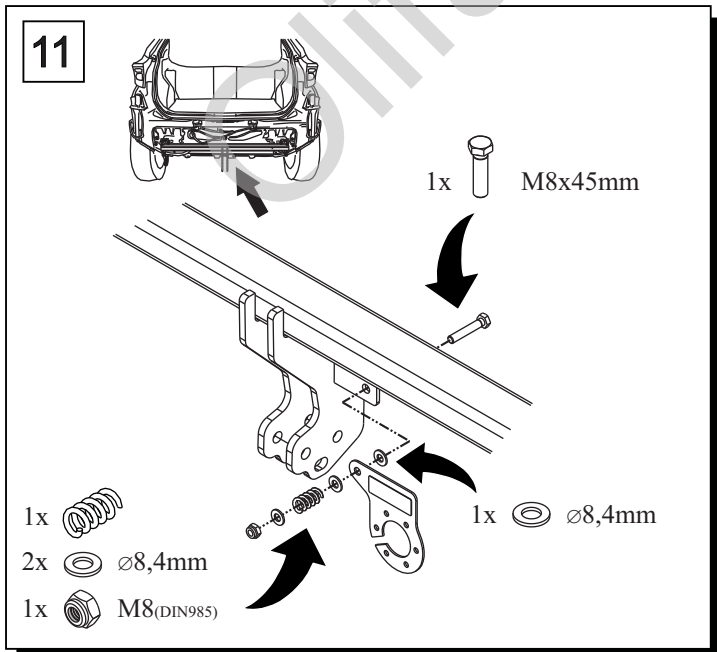
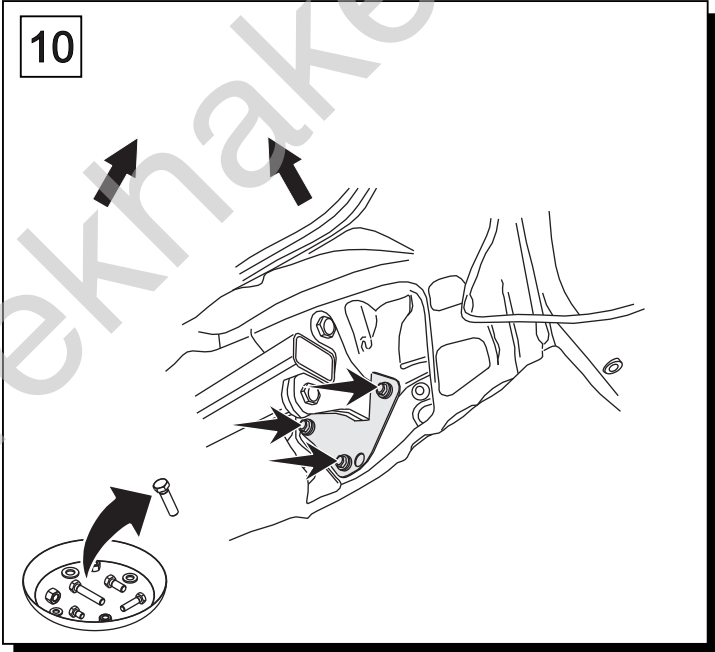
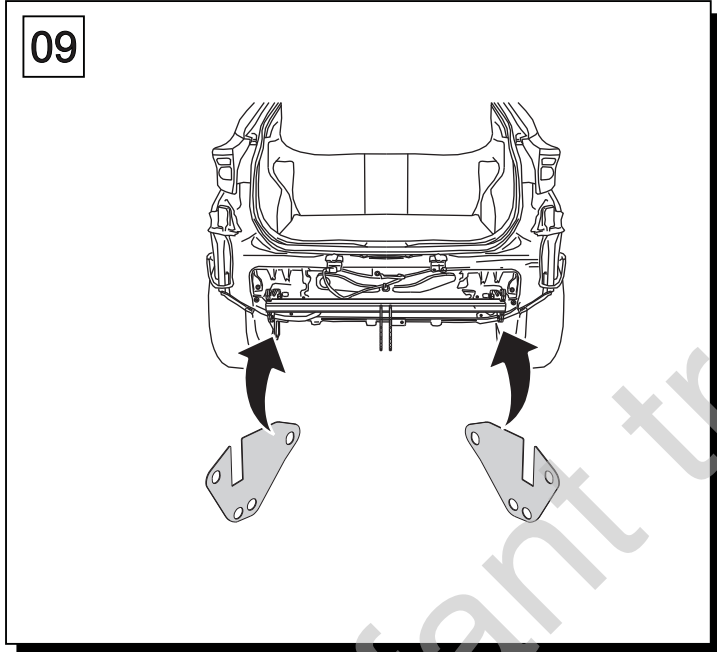
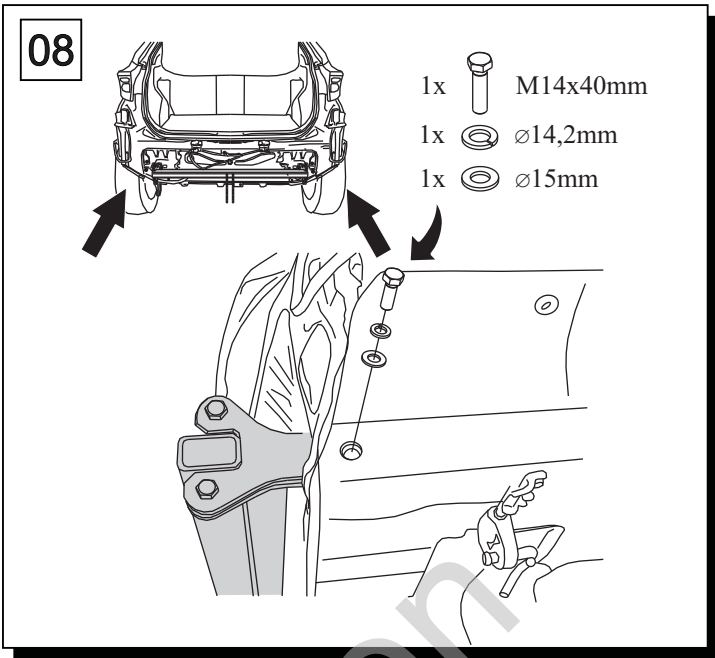
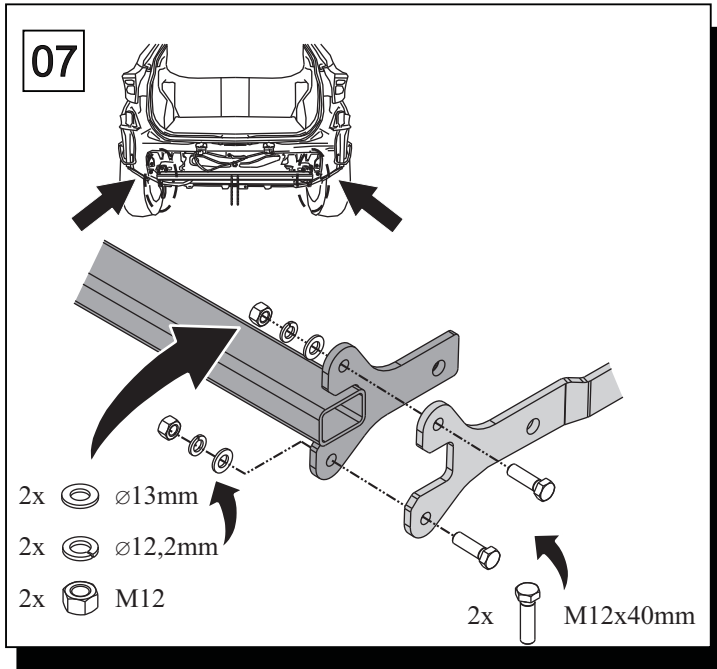


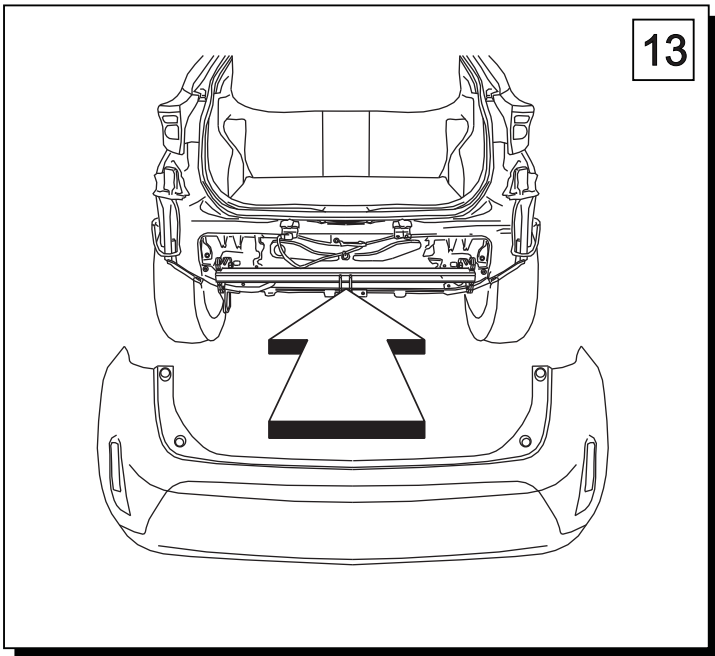
05



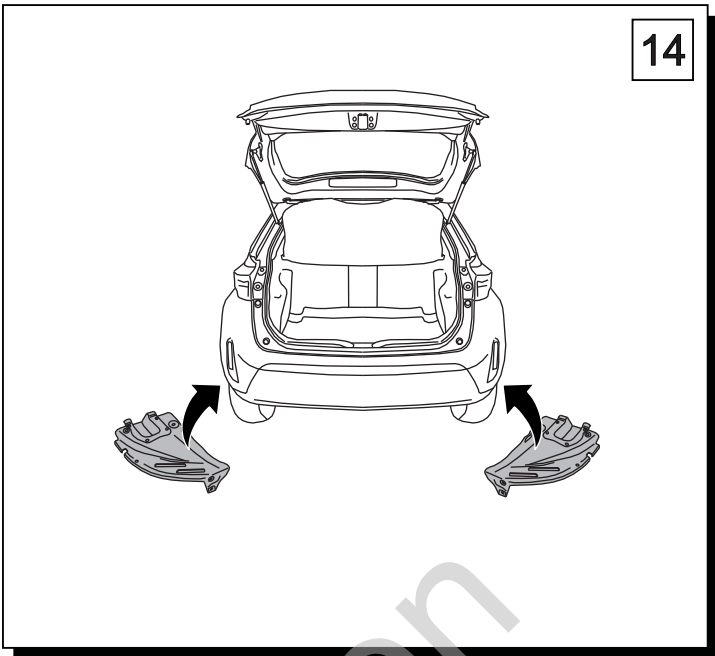
06



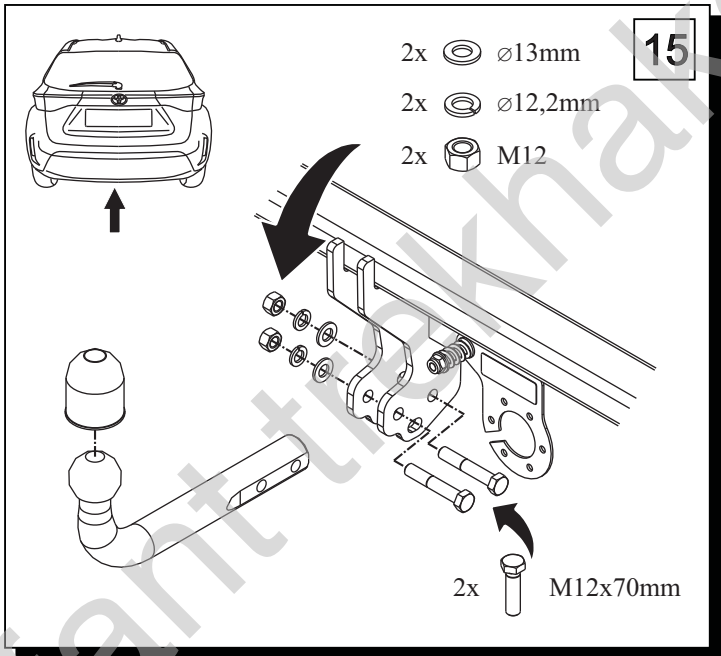




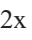
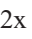
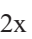
13




14






15

- 2x  Ø13mm
- 2x  Ø12,2mm
- 2x  M12

2x  M12x70mm



M6	-	11 Nm	M8	-	25 Nm
M10	-	50 Nm	M12	-	87 Nm
M14	-	138 Nm	M16	-	210 Nm


0 km


1000 km

