

PPUH AUTO-HAK Sp.J.

Henryk i Zbigniew Nejman
ul. Słoneczna 16K 76-200 SŁUPSK
POLAND










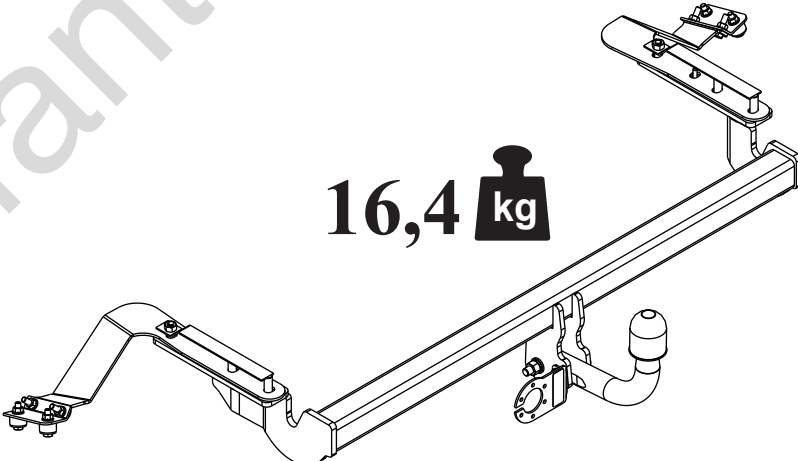



tel/fax +48 59 8 414 414; +48 59 8 414 413

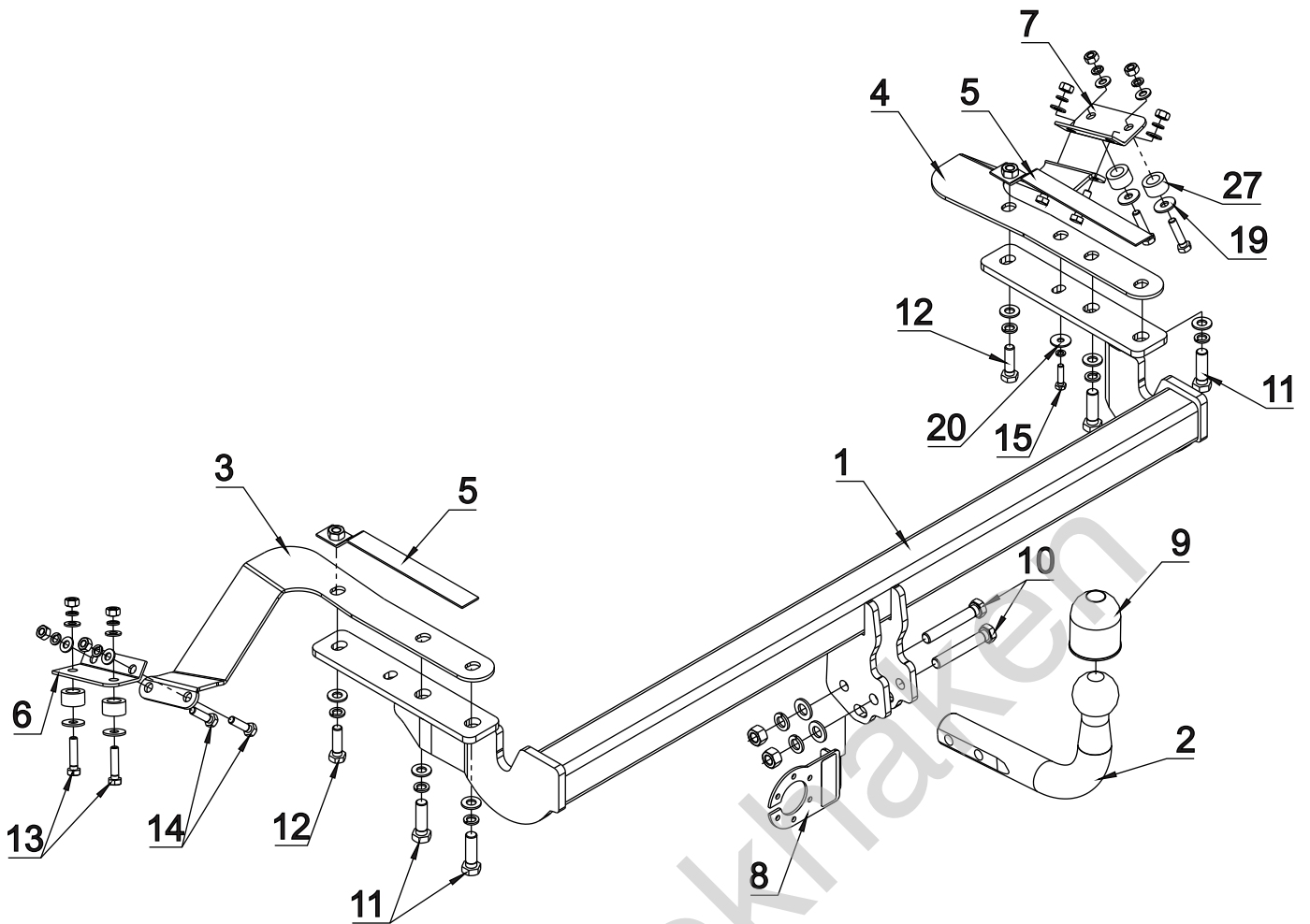
e-mail: office@autohak.com.pl

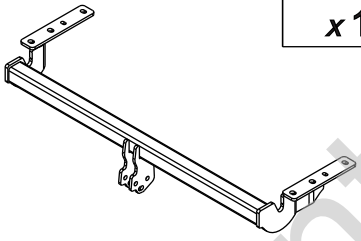






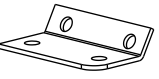

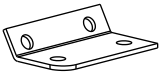
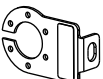



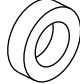
www.autohak.com.pl



AUTO-HAK

	TOYOTA AVENSIS 4/5 D, (T25, T26)	Cat. no:
	04.2003 → 12.2008	O55
	E20-55R-01 1245	 2h
	8,6 kN	 <input checked="" type="checkbox"/>
	R=1550 kg	 <input type="checkbox"/>
	S=75 kg	
 16,4 kg		
	M6 - 11 Nm M10 - 50 Nm M14 - 138 Nm	M8 - 25 Nm M12 - 87 Nm M16 - 210 Nm
 0 km →  1000 km		



1		x 1		10	M 12x75	x 2
2	 Art.nr-KL1055	x 1		11	M 12x1,25x40	x 4
3		x 1		12	M 10x35	x 2
4		x 1	13	M 8x35	x 4	
5		x 2	14	M 8x30	x 4	
6		x 1		15	M 6x25	x 1
7		x 1		16	∅ 13	x 6
8	 Art.nr-BL1055	x 1		17	∅ 10.5	x 2
9		x 1		18	∅ 8.5	x 8
				19	∅ 24x∅8.4x2 8 DIN 9021	x 4
				20	∅ 18x∅6.4x1.6 6 DIN 9021	x 1
				21	∅ 12.2	x 6
				22	∅ 10.2	x 2
				23	∅ 8.2	x 8
				24	∅ 6.2	x 1
				25	M 12	x 2
				26	M 8	x 8
			27		∅25x15mm L=14mm	x 4

