

# AUTO-HAK Sp. z o.o.

ul. Słoneczna 16K 76-200 SŁUPSK  
POLAND

tel/fax +48 59 8 414 414; +48 59 8 414 413

e-mail: [office@autohak.com.pl](mailto:office@autohak.com.pl)

[www.autohak.com.pl](http://www.autohak.com.pl)



# AUTO-HAK

## SSANGYONG KORANDO 4WD (model CK)

Nr kat.

**SY02**



10.2010 → 2015

2015 → 08.2019

e20

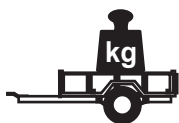
e20\*94/20\*1452\*00



1h

D

11,55 kN



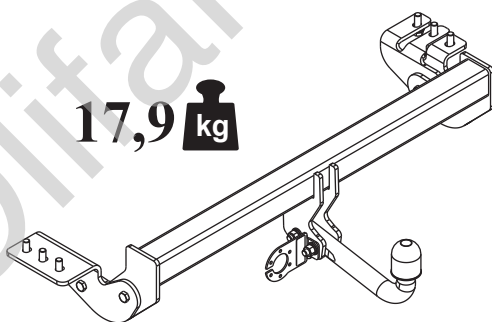
R=2000 kg



S=100 kg



17,9 kg



FULL VERSION INSTRUCTION



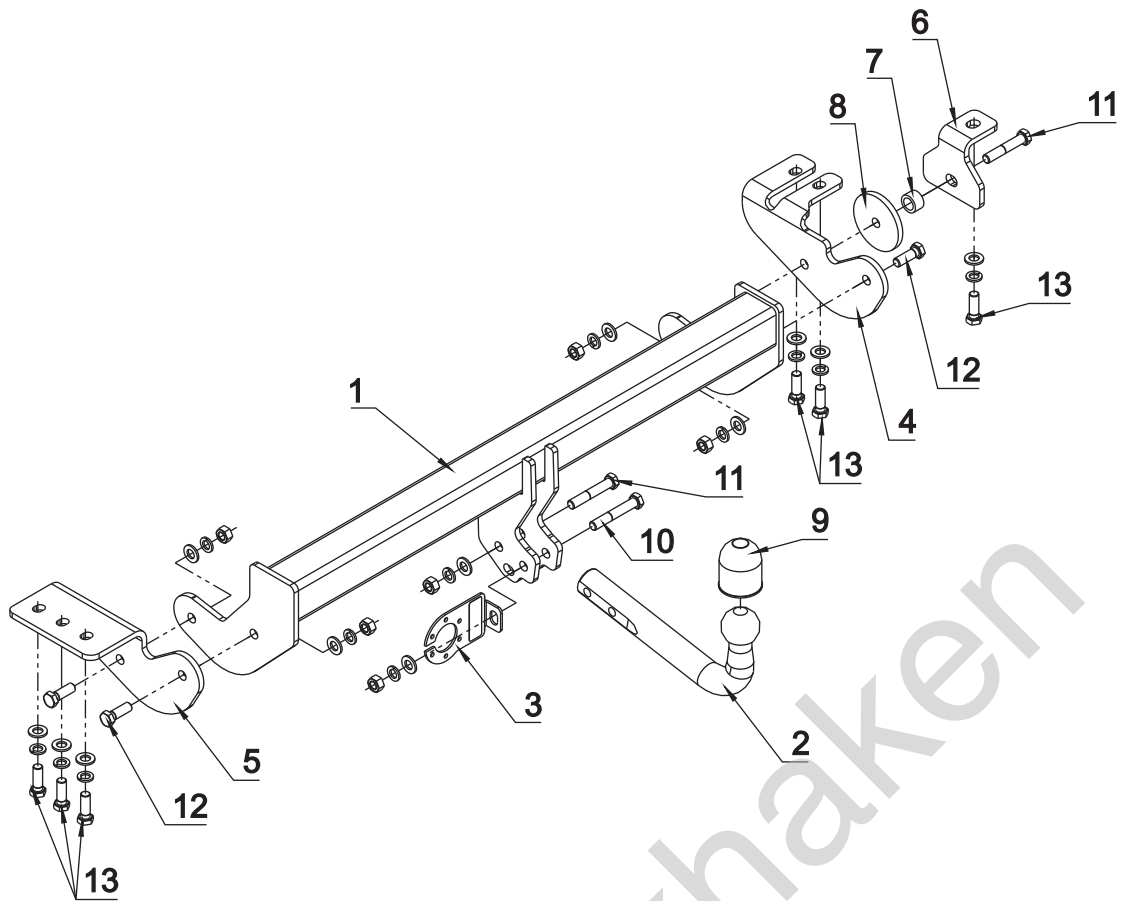
śruba	Nm	M6	M8	M10	M12	M14	M16
klasa 8.8		9,9	24	48	83	132	200
klasa 10.9		14	34	67	117	185	285

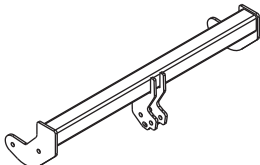

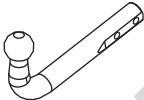

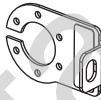

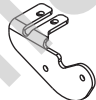

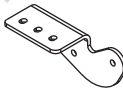






0 km →



1000 km



<b>1</b>		<b>x1</b>		<b>10</b> M12x75	<b>x1</b>
				<b>11</b> M12x70	<b>x2</b>
				<b>12</b> M12x35	<b>x3</b>
				<b>13</b> M12x1.25x35	<b>x6</b>
<b>2</b>		<b>x1</b>		<b>14</b> M12	<b>x6</b>
	Art.nr-KL1SY02				
<b>3</b>		<b>x1</b>		<b>15</b> $\varnothing$ 13	<b>x12</b>
	Art.nr-BL1SY02				
<b>4</b>		<b>x1</b>		<b>16</b> $\varnothing$ 12.2	<b>x12</b>
<b>5</b>		<b>x1</b>			
<b>6</b>		<b>x1</b>			
<b>7</b>		<b>x1</b>		$\varnothing$ 25x4, L=16mm	
<b>8</b>		<b>x1</b>		$\varnothing$ 80x $\varnothing$ 13x8mm	
<b>9</b>		<b>x1</b>			

