

PPUH AUTO-HAK Sp.J.

Henryk i Zbigniew Nejman
ul. Słoneczna 16K 76-200 SŁUPSK
POLAND

tel/fax +48 59 8 414 414; +48 59 8 414 413

e-mail: office@autohak.com.pl

www.autohak.com.pl



AUTO-HAK

SKODA

- SUPERB II 4D / (4x4)

- SUPERB II KOMBI (3T) / (4x4)



09.2008 → 07.2014

e20

e20*94/20*0562*01

D

10,6 kN



R=2000 kg



S=100 kg

Cat. no:

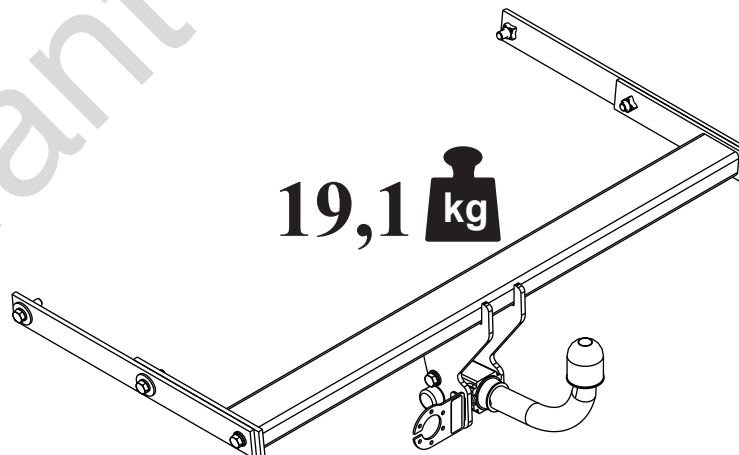
H17A



2h



19,1 kg



M6 - 11 Nm
M10 - 50 Nm
M14 - 138 Nm

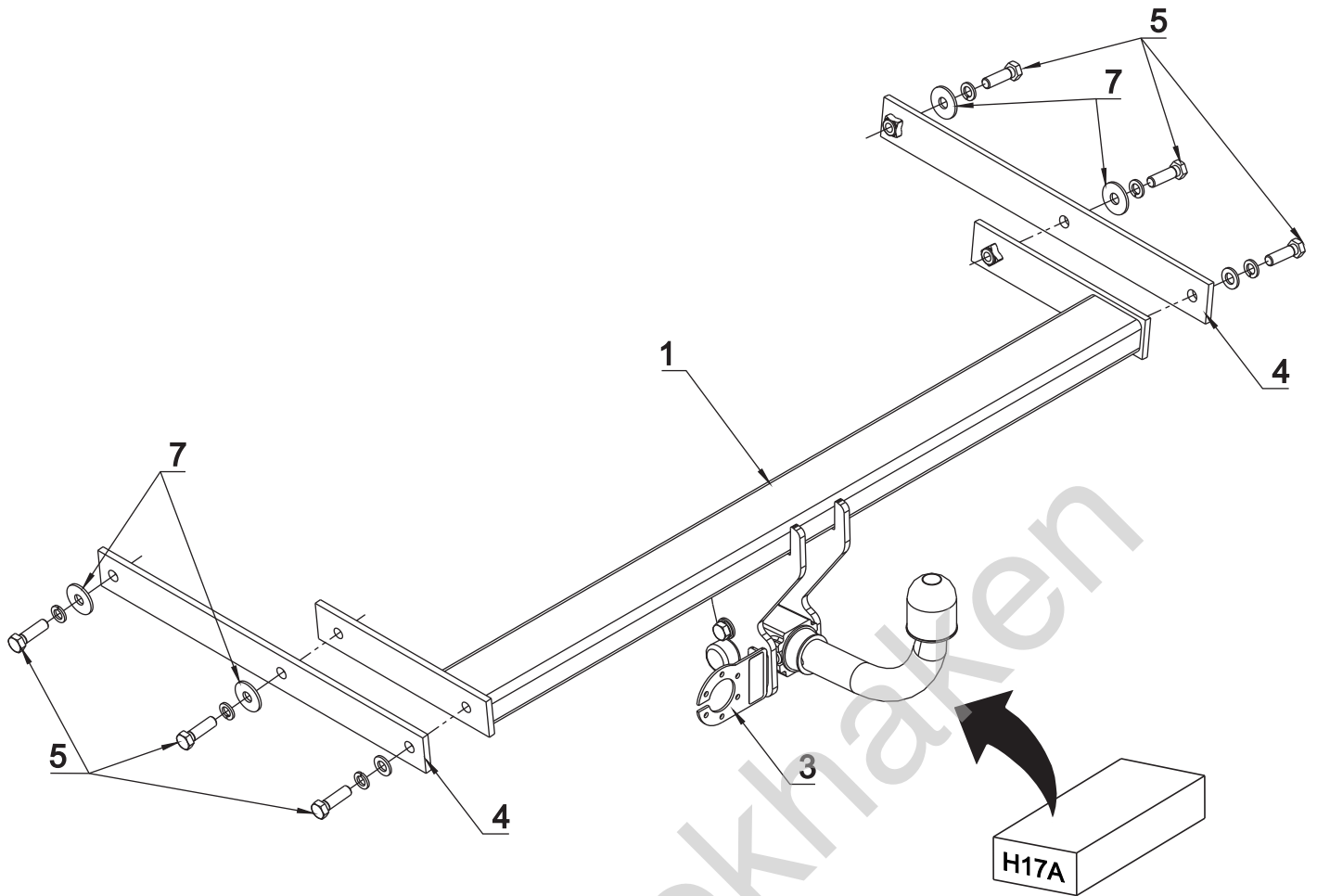
M8 - 25 Nm
M12 - 87 Nm
M16 - 210 Nm

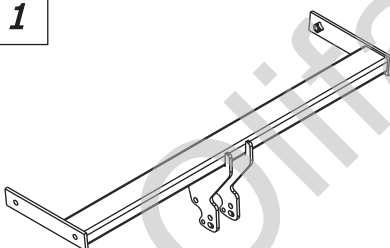

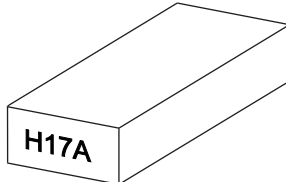

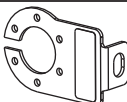

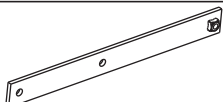


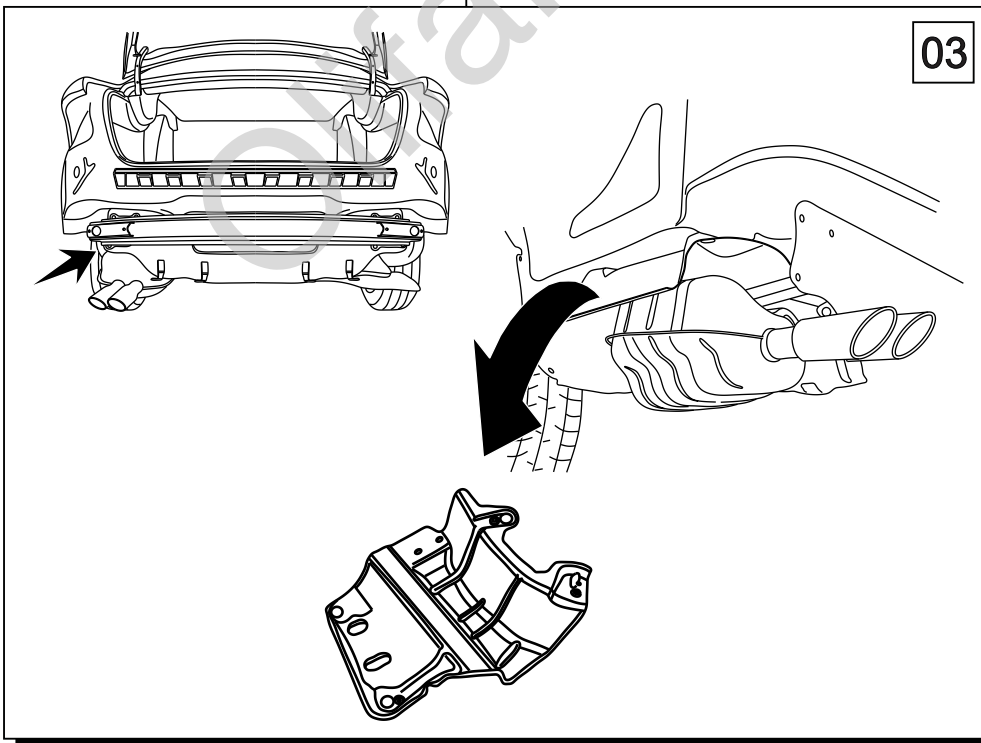
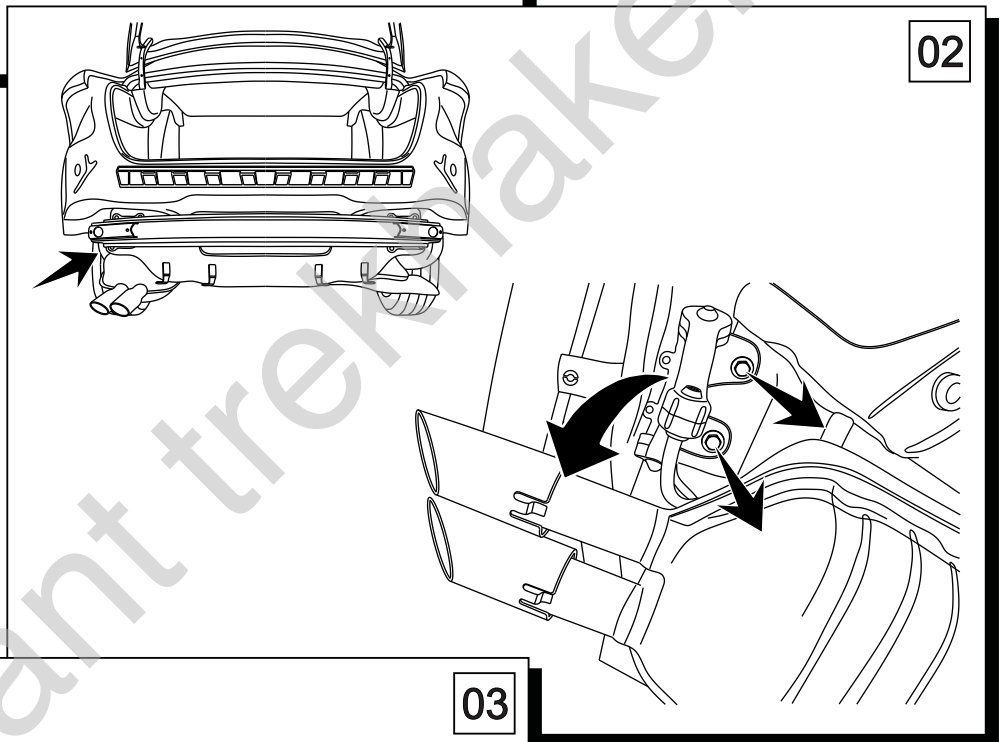
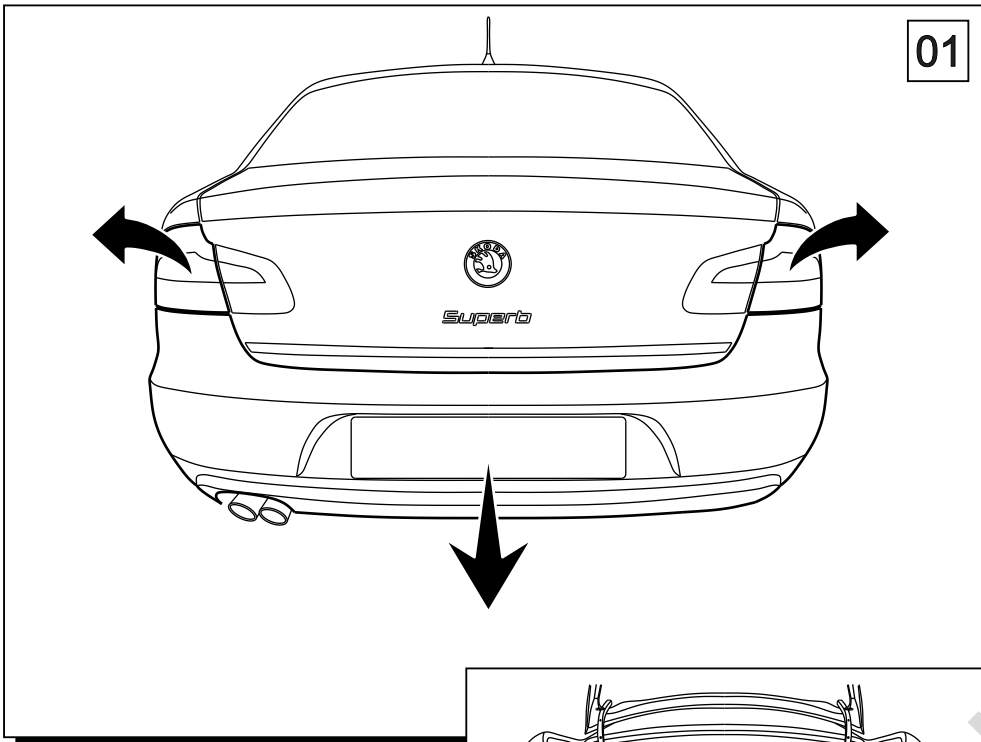
0 km →

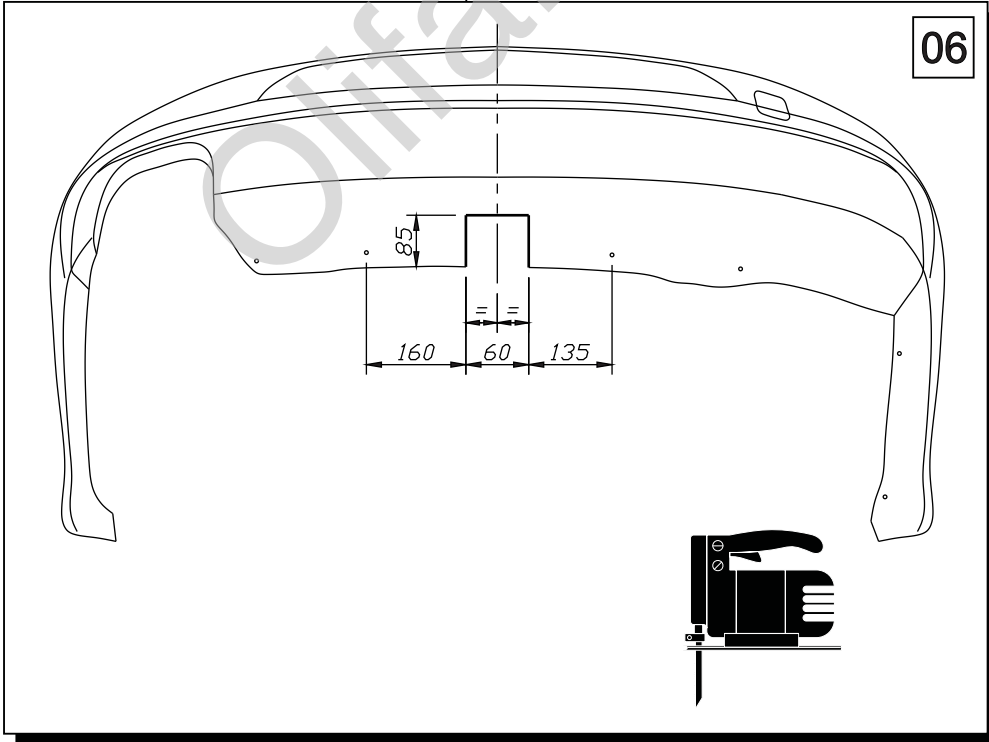
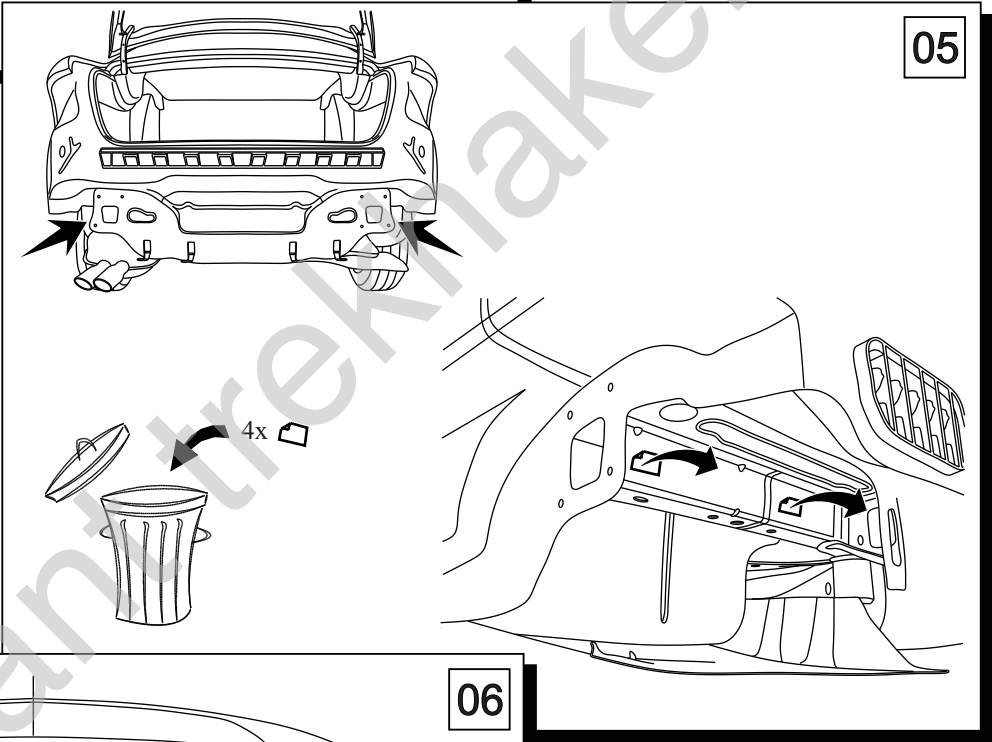
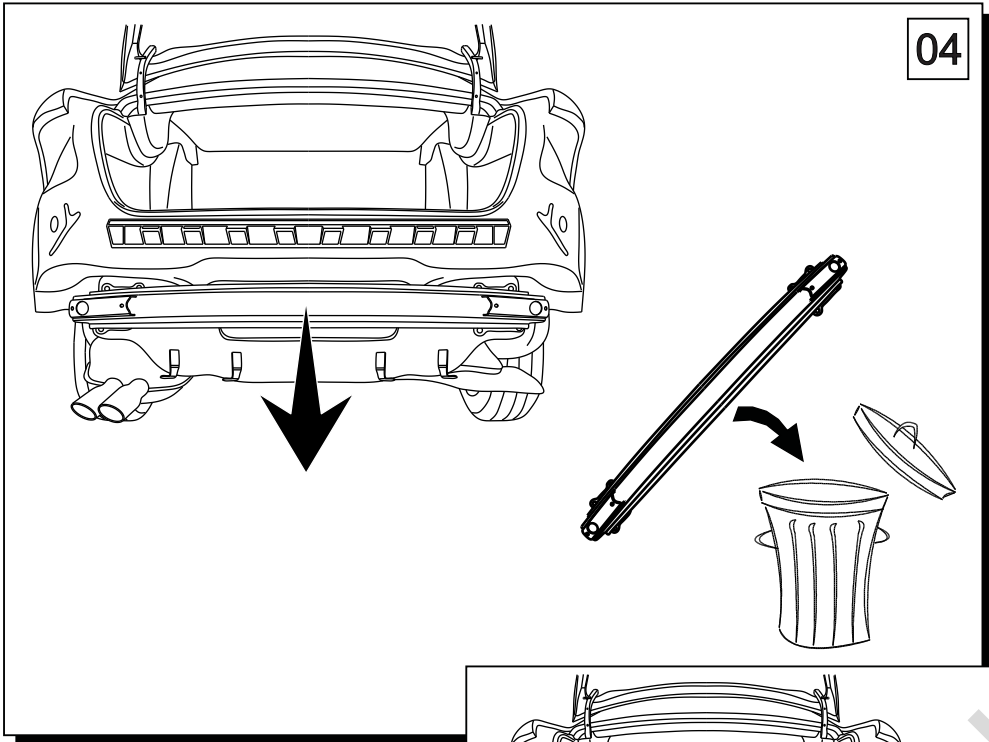


1000 km

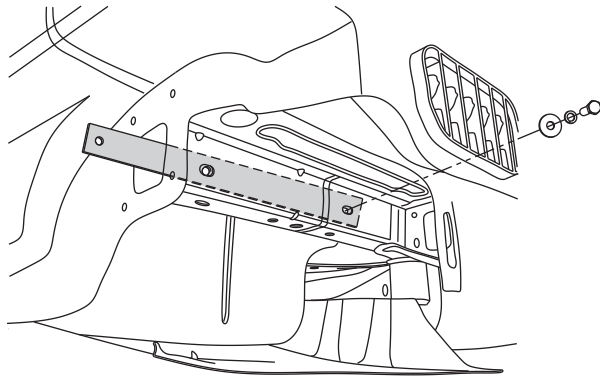
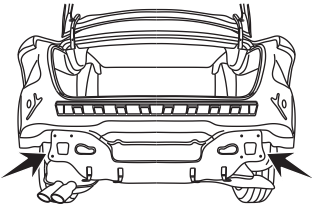





1 	x1		5 M12x40	x6
2 	x1 Art.nr-KL1H17A		6 \varnothing 13	x2
3 	x1 Art.nr-BL1H17A		7 \varnothing 37x \varnothing 13x3 13 wg DIN 9021	x4
4 	x2	8 \varnothing 12.2		x6



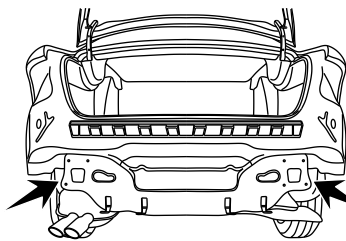








07

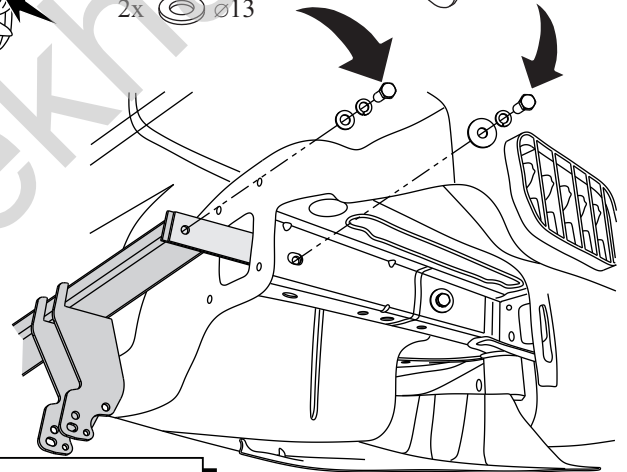


- 2x  M12x40
- 2x  $\varnothing 12.2$
- 2x  $\varnothing 37 \times 13 \times 3$

08



- 2x  M12x40
- 2x  $\varnothing 12.2$
- 2x  $\varnothing 13$
- 2x  M12x40
- 2x  $\varnothing 12.2$
- 2x  $\varnothing 37 \times 13 \times 3$



09

