

AUTO-HAK Sp. z o.o.

ul. Słoneczna 16K 76-200 SŁUPSK
POLAND

tel/fax +48 59 8 414 414; +48 59 8 414 413

e-mail: office@autohak.com.pl

www.autohak.com.pl

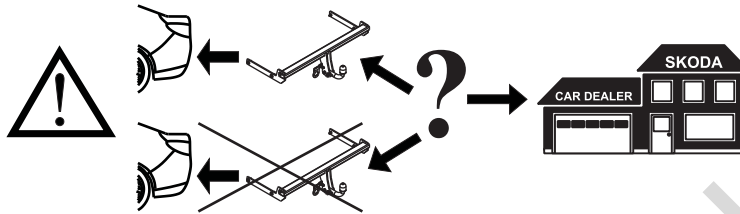


AUTO-HAK

SKODA SCALA

Cat. no:

H32A

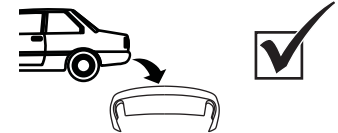



 2018 →

  2h


 E20-55R-01 5772

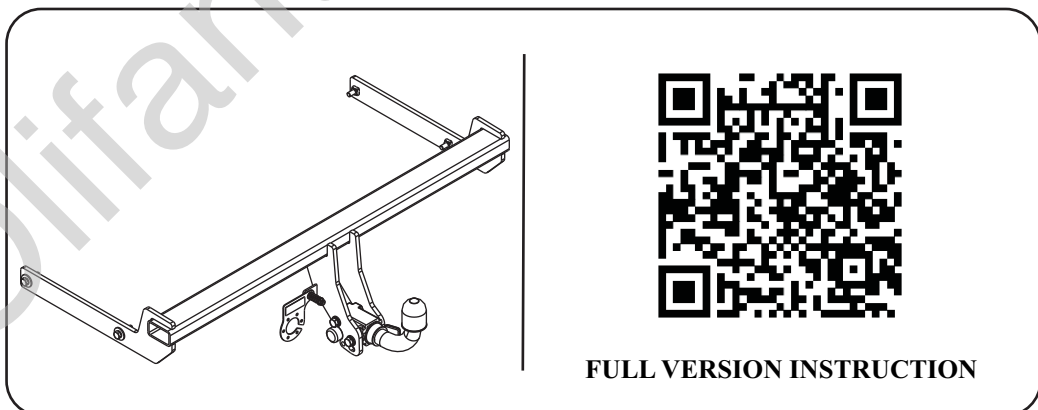
D 7,36 kN



 R=1250 kg





 S=75 kg

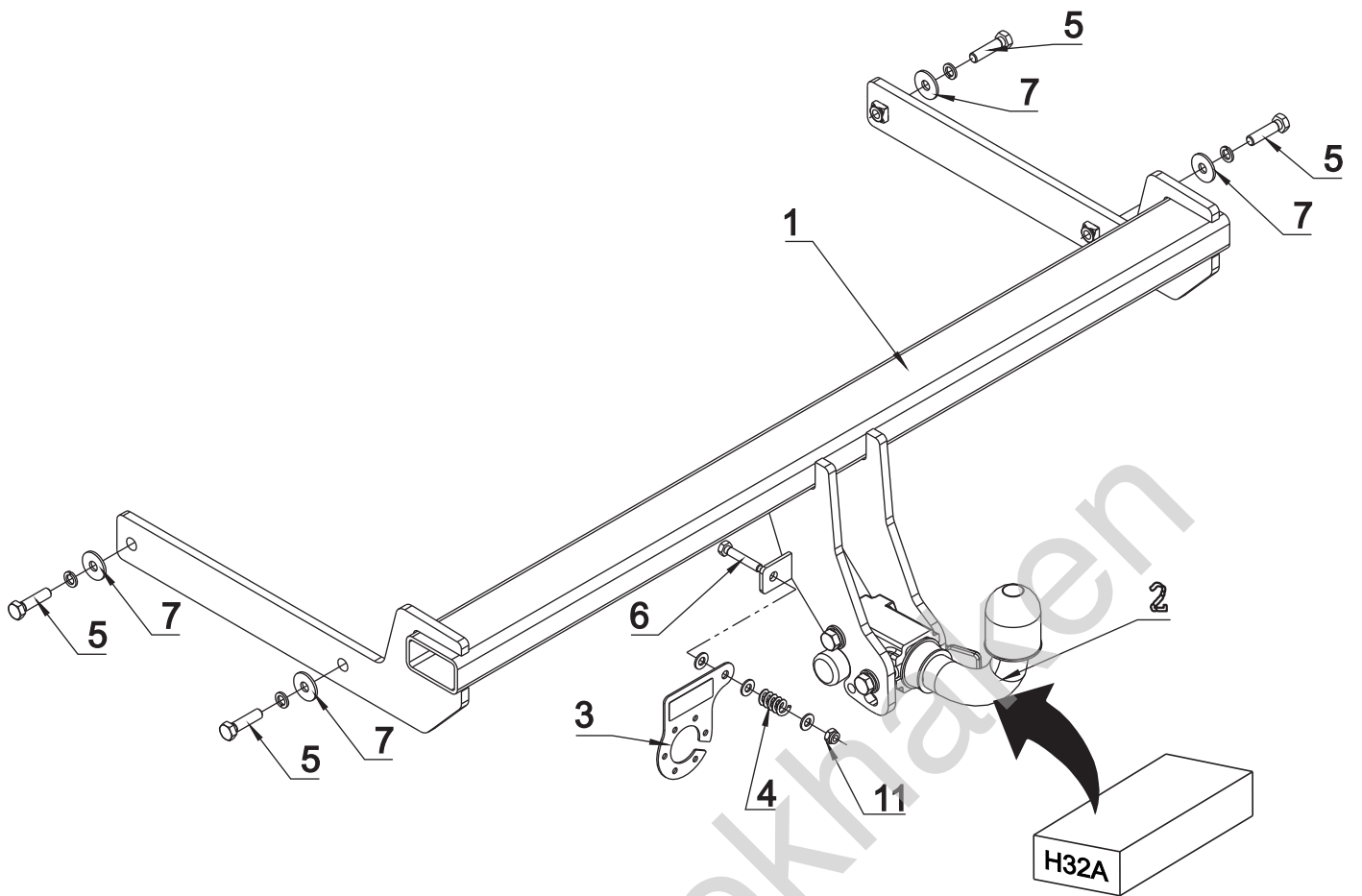


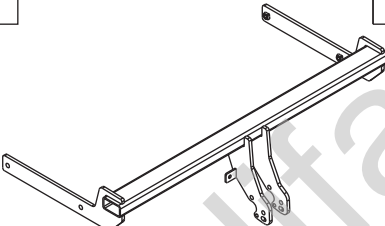




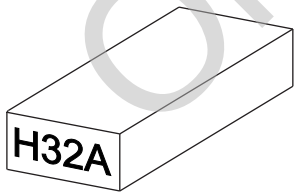


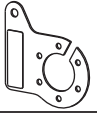


FULL VERSION INSTRUCTION

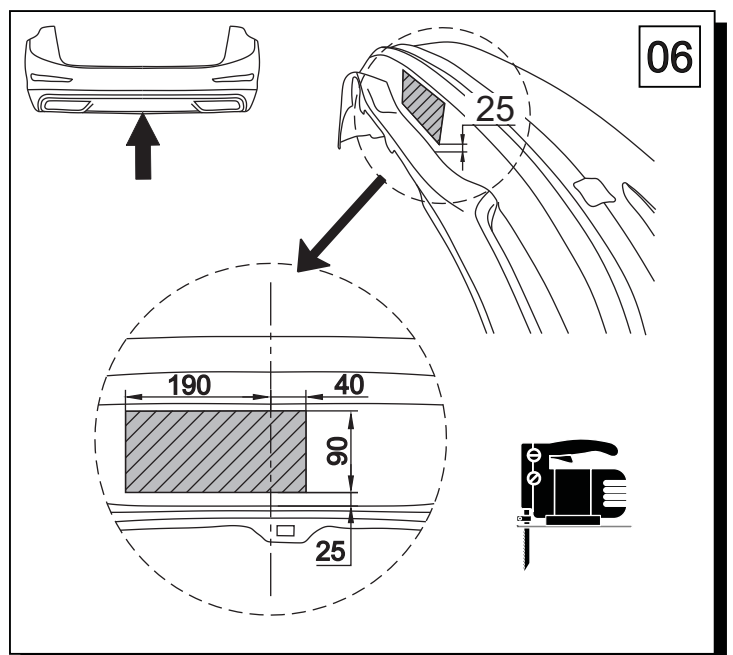
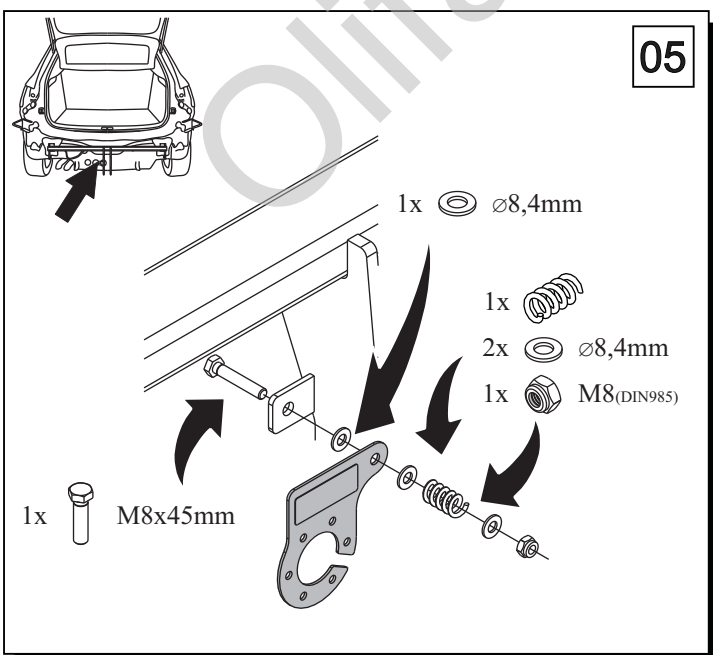
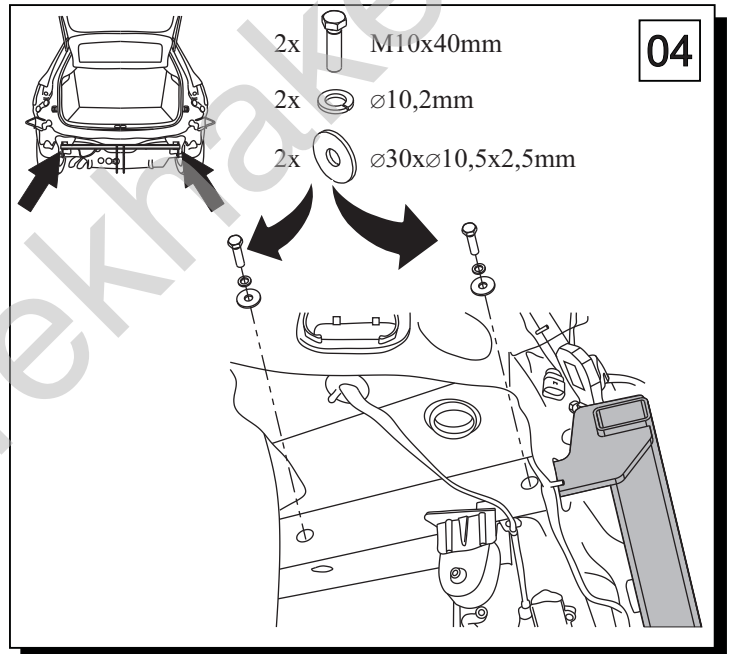
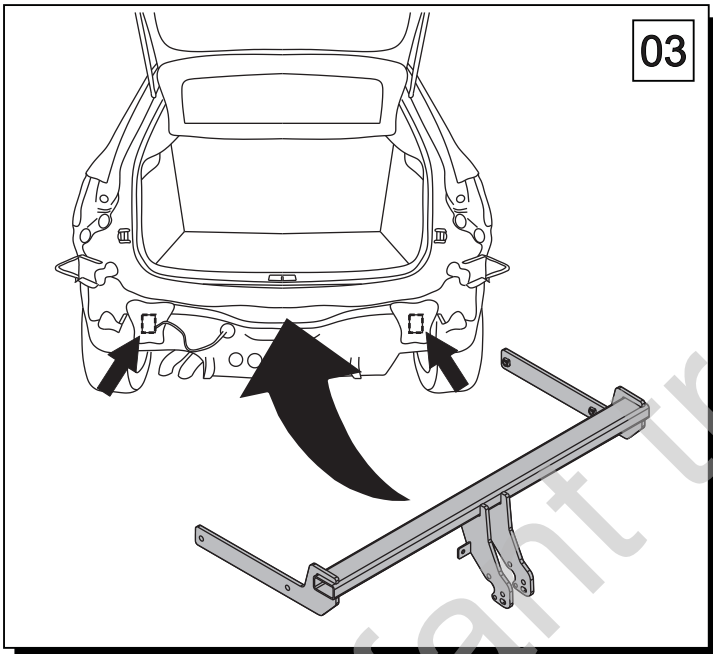
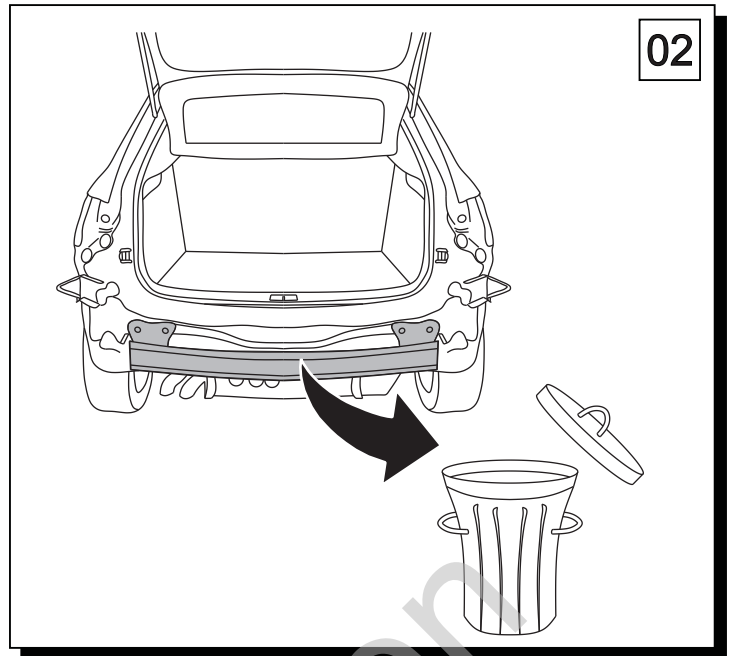
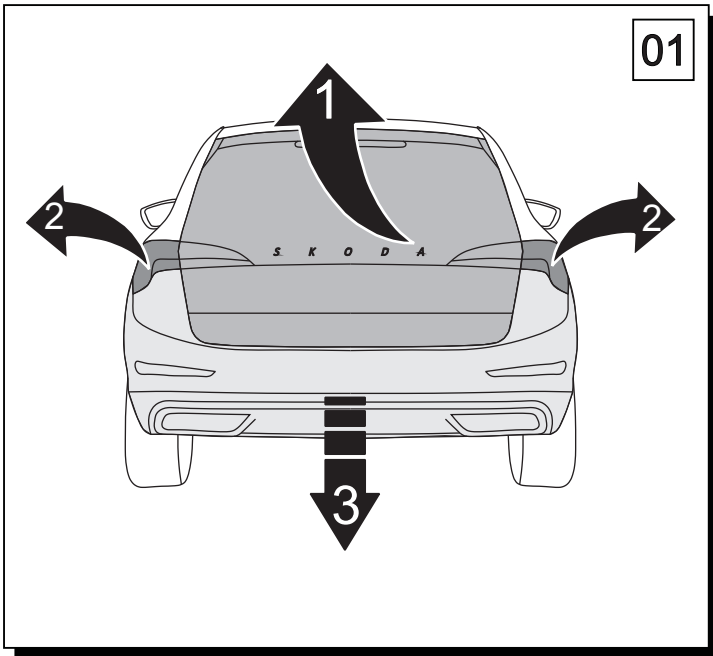


śruba	Nm	M6	M8	M10	M12	M14	M16
klasa 8.8		9,9	24	48	83	132	200
klasa 10.9		14	34	67	117	185	285

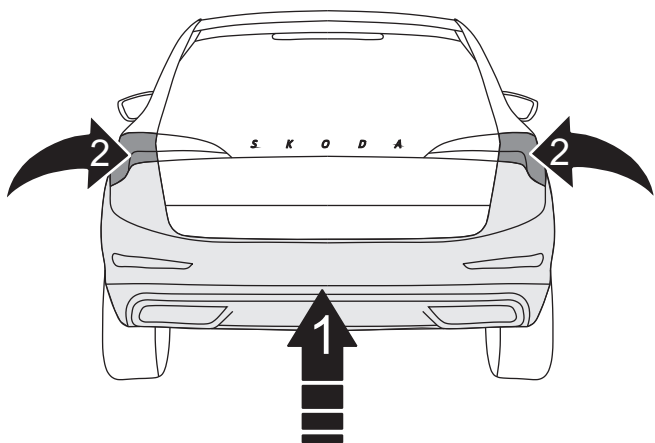
 0 km →  1000 km



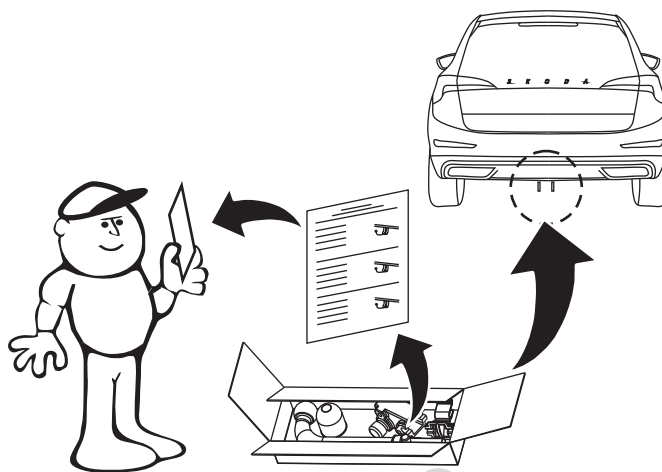
	x1		5	M10x40	x4
			6	M8x45	x1
			7	$\varnothing 30 \times \varnothing 10.5 \times 2.5$ 10 DIN 9021	x4
			8	$\varnothing 8.3$	x3
	x1		9	$\varnothing 10.2$	x4
			10	M12	x2
	x1		11	M8 (DIN985)	x1
			Art.nr-KL1H32A		
	x1				



07



08



Olifant trekhaken