

PPUH AUTO-HAK Sp.J.

Henryk i Zbigniew Nejman
ul. Słoneczna 16K 76-200 SŁUPSK
POLAND

tel/fax +48 59 8 414 414; +48 59 8 414 413

e-mail: office@autohak.com.pl

www.autohak.com.pl



AUTO-HAK



**SKODA RAPID SPACEBACK
KOMBI**

Cat. no:

H21A



10.2013 → 05.2015
06.2015 →



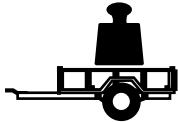
E20-55R-01 3497



8,5 kN



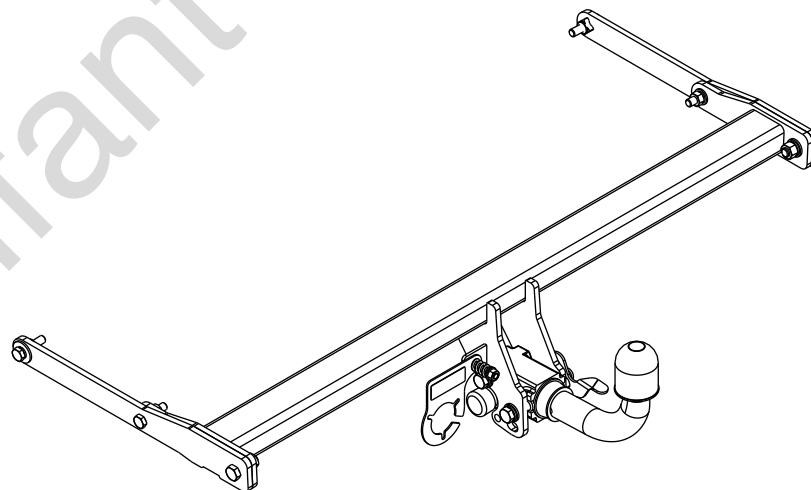
2h



R=1500 kg



S=75 kg



M6 - 11 Nm
M10 - 50 Nm
M14 - 138 Nm

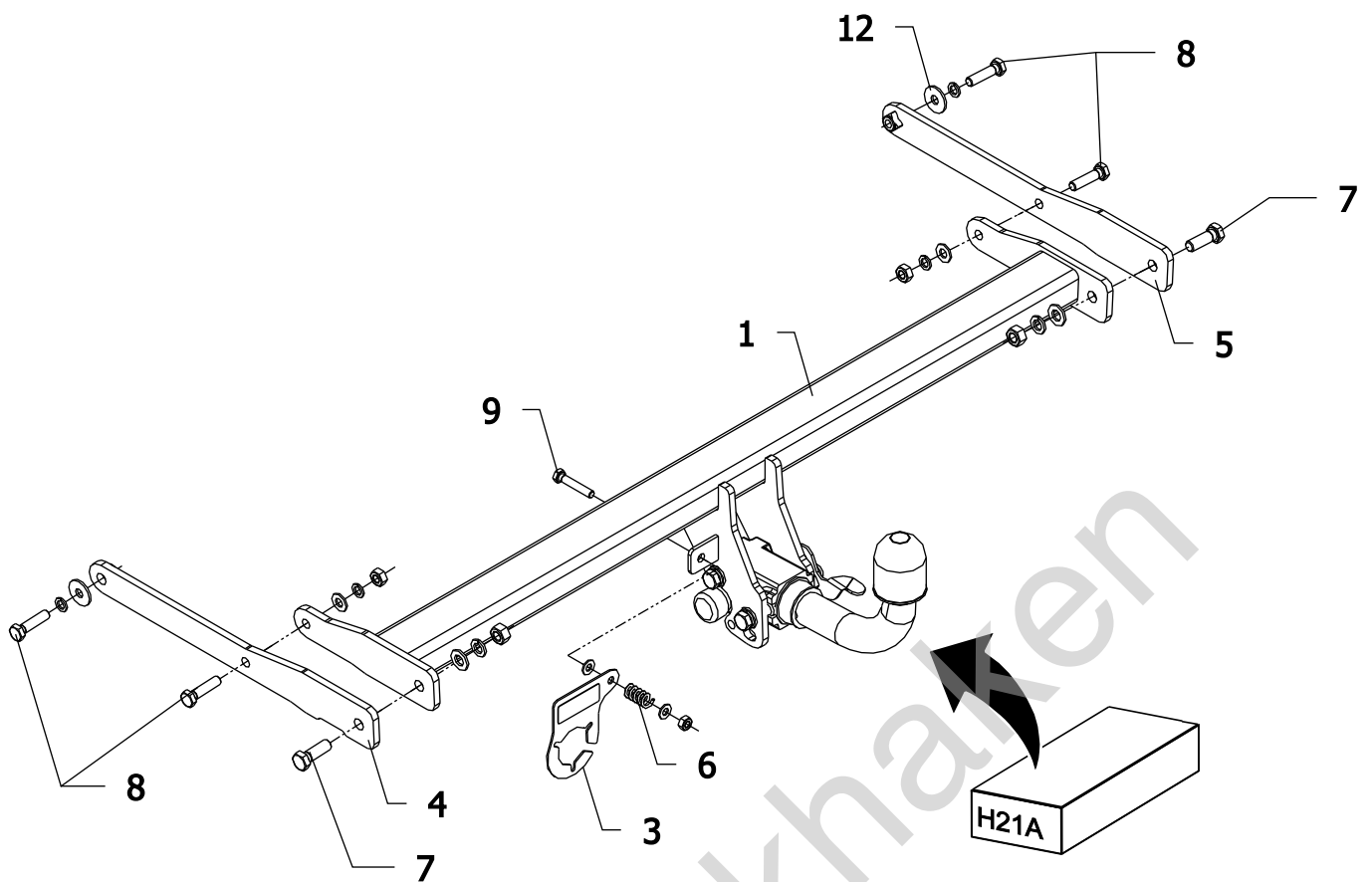
M8 - 25 Nm
M12 - 87 Nm
M16 - 210 Nm

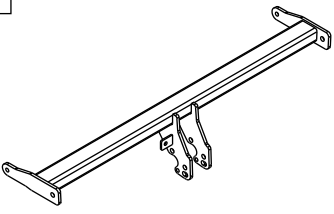

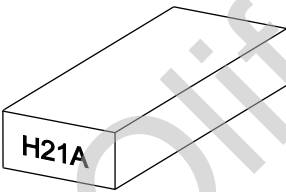



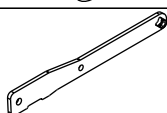

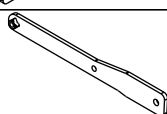
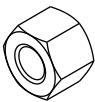
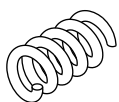
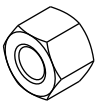


0 km →



1000 km



1		x1		7	M12x35	x2
				8	M10x40	x4
2		x1		9	M8x45	x1
				10	ø 13	x2
3		x1		11	ø 10.5	x2
				12	ø 30xø10.5x2.5 10 DIN 9021	2
4		x1		13	ø 8.4	x2
				14	ø 12.2	x2
5		x1		15	ø 10.2	x4
				16	M12	x2
6		x1		17	M10	x2
				18	M8	x1

