

# AUTO-HAK Sp. z o.o.

ul. Słoneczna 16K 76-200 SŁUPSK  
POLAND

tel/fax +48 59 8 414 414; +48 59 8 414 413

e-mail: [office@autohak.com.pl](mailto:office@autohak.com.pl)

[www.autohak.com.pl](http://www.autohak.com.pl)



# AUTO-HAK

## SKODA OCTAVIA IV

5 drz.

Nr kat.

H35A



01.2020 →



E20-55R-02 6040



2h

D

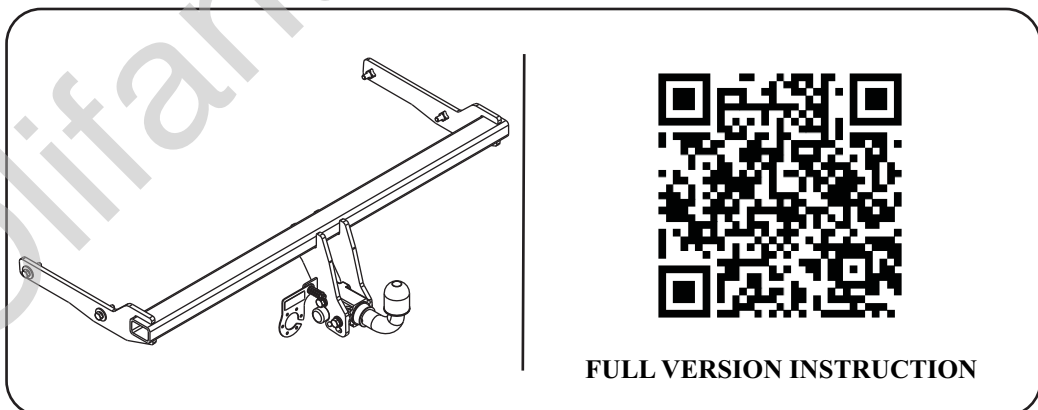
9,5 kN



R=1800 kg



S=100 kg



FULL VERSION INSTRUCTION



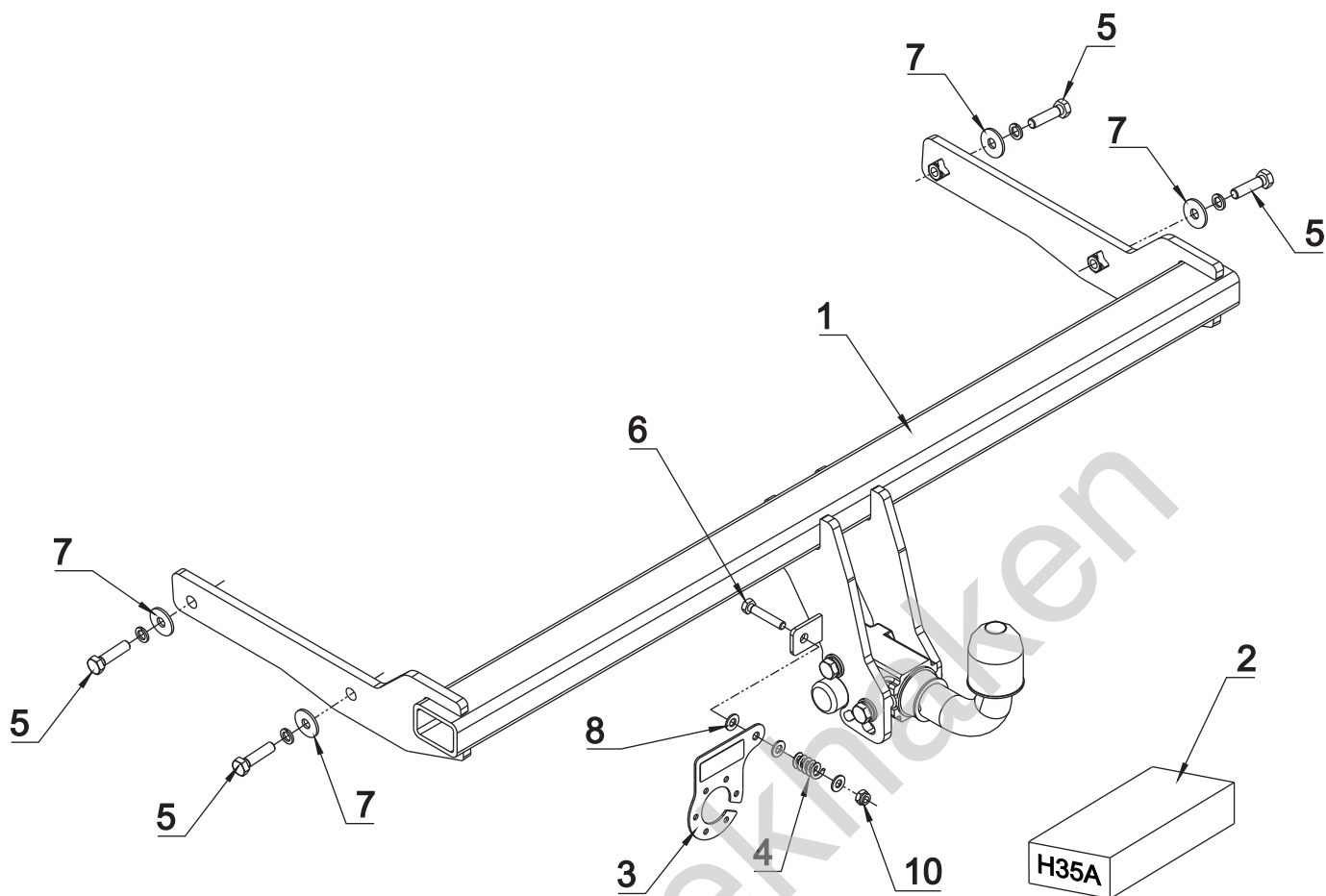
śruba	Nm	M6	M8	M10	M12	M14	M16
klasa 8.8		9,9	24	48	83	132	200
klasa 10.9		14	34	67	117	185	285

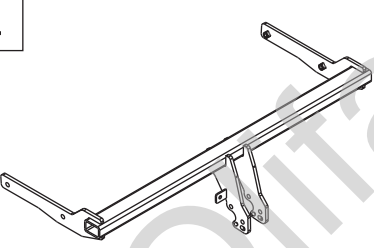



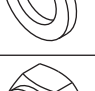
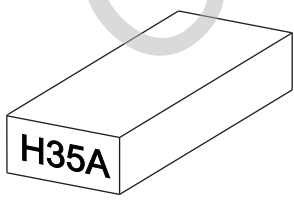


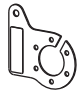



0 km →

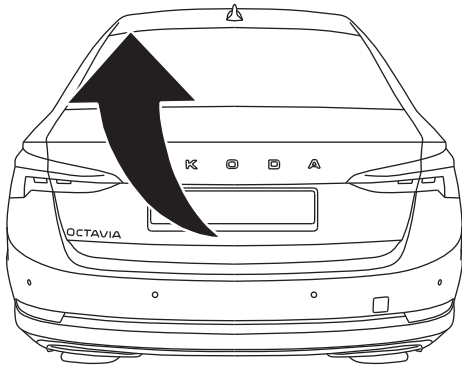


1000 km

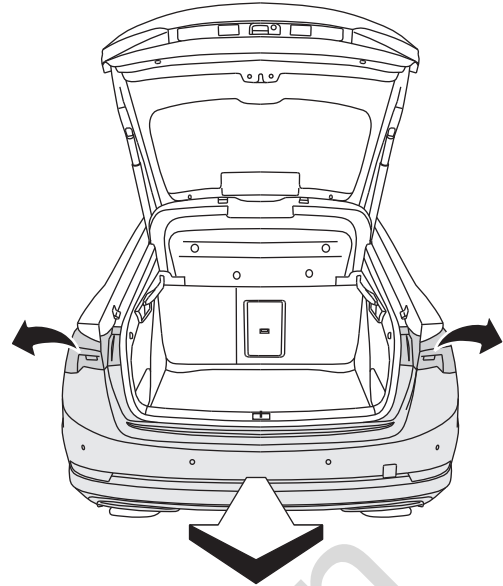


<b>1</b> 	<b>x1</b>		<b>5</b> M10x40	<b>x4</b>
			<b>6</b> M8x45	<b>x1</b>
			<b>7</b> $\phi$ 30x $\phi$ 10.5x2.5 10 (DIN 9021)	<b>x4</b>
			<b>8</b> $\phi$ 8.4	<b>x3</b>
<b>2</b> 	<b>x1</b>		<b>9</b> $\phi$ 10.2	<b>x4</b>
			<b>10</b> M8 (DIN985)	<b>x1</b>
<b>3</b> 	<b>x1</b>	Art.nr-KL1H35A		
<b>4</b> 	<b>x1</b>	Art.nr-BL12H35A		

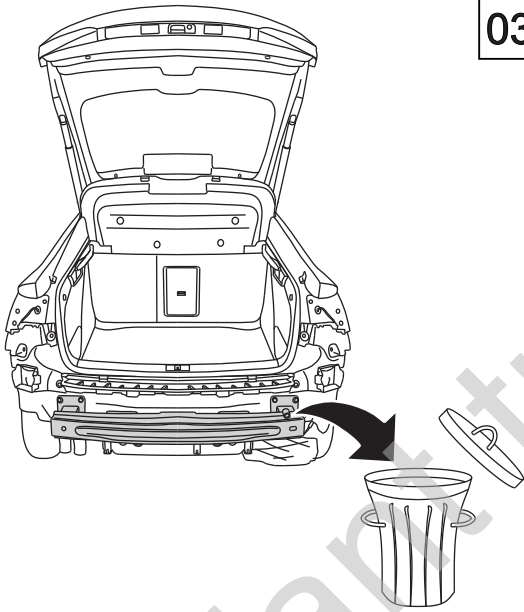
01



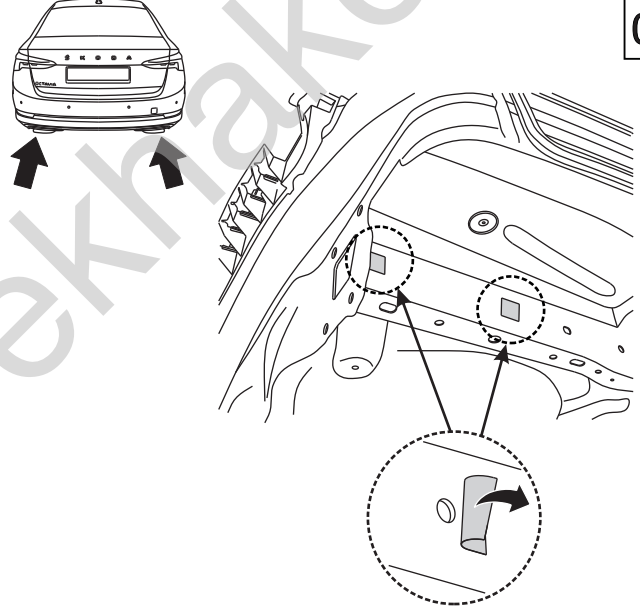
02



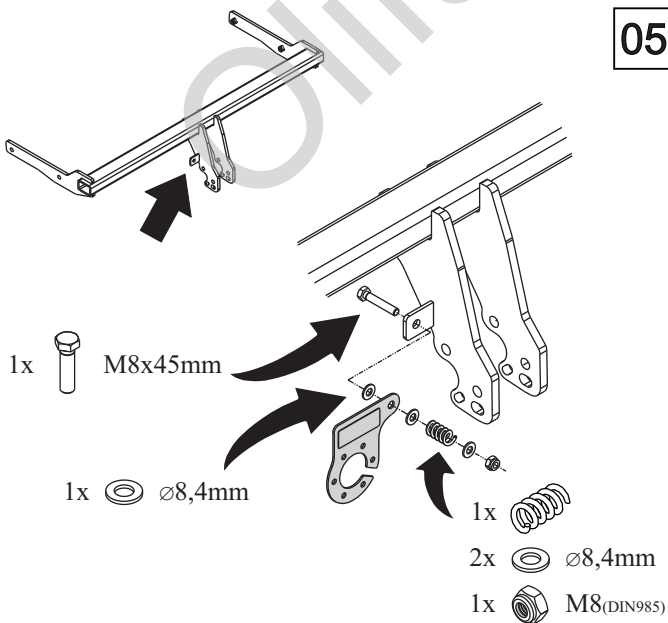
03



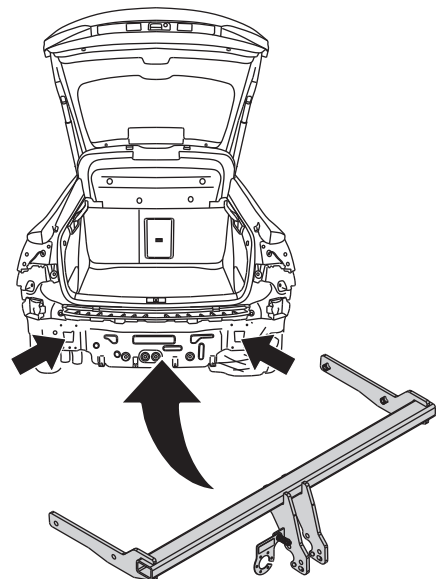
04



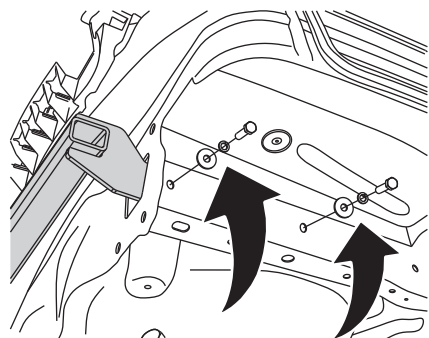
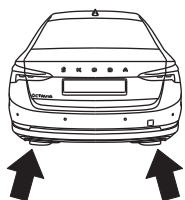
05






06

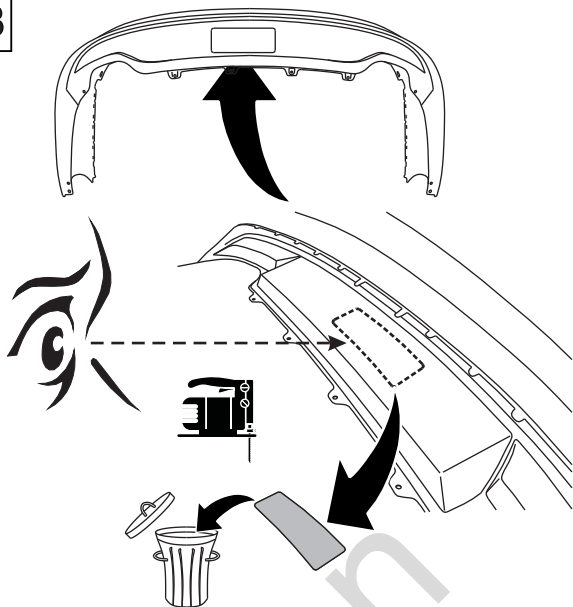


07

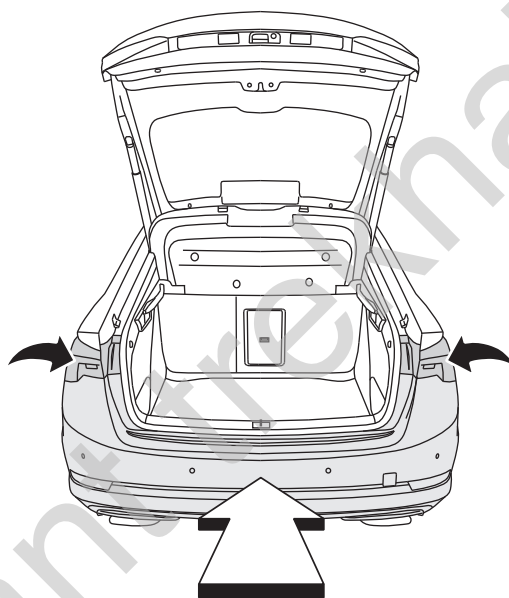


- 2x  M10x40mm
- 2x  Ø10,2mm
- 2x  Ø30xØ10,5x2,5mm

08



09



10

