

PPUH AUTO-HAK Sp.J.

Henryk & Zbigniew Nejman
ul. Słoneczna 16K 76-200 SŁUPSK
POLAND

tel/fax +48 059 8-414-414; 8-414-413

e-mail: office@autohak.com.pl

www.autohak.com.pl



AUTO-HAK



**SEAT EXEO/EXEO ST
4D, Sport Tourer / Kombi**

Cat. no:

SC45A



03.2009 →

e20

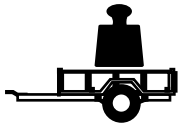
e20*94/20*1189*00



2h

D

10,6 kN



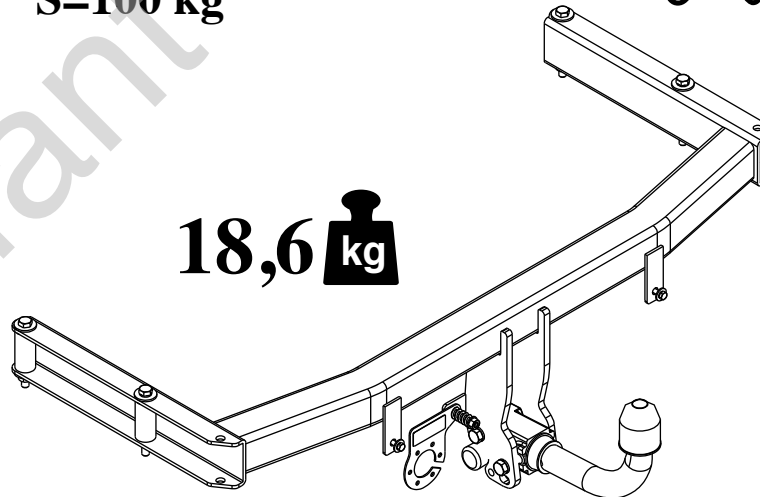
R=2000 kg



S=100 kg



18,6 kg



**M6 - 11 Nm
M10 - 50 Nm
M14 - 138 Nm**

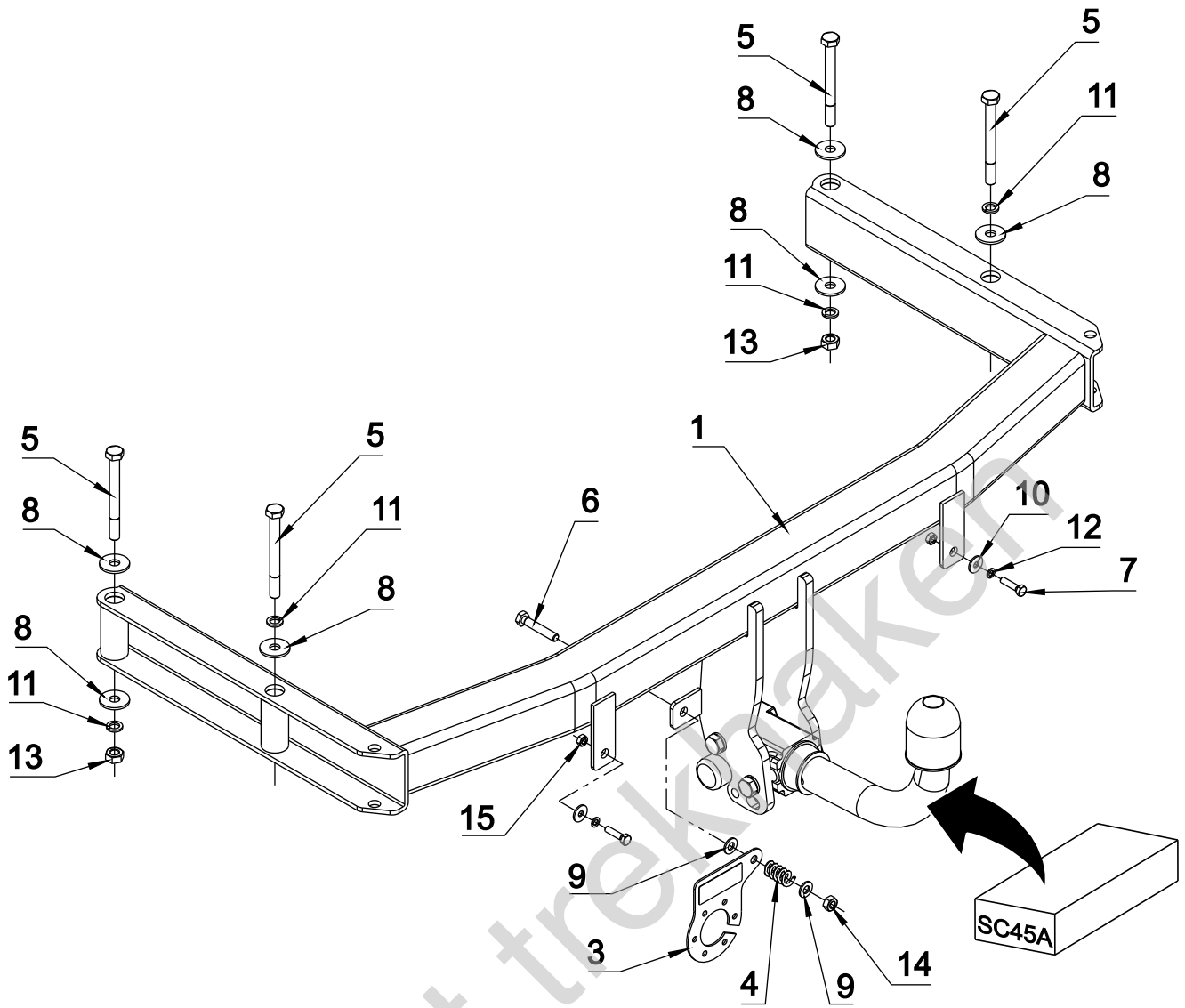
**M8 - 25 Nm
M12 - 87 Nm
M16 - 210 Nm**

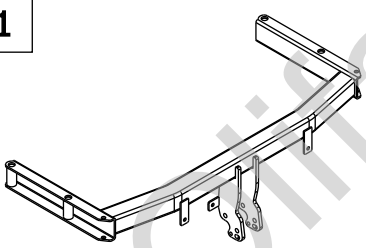



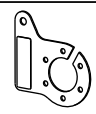

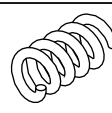



0 km →



1000 km



1		x1		5	M10x100	x4
				6	M8x45	x1
2		x1		7	M6x25	x2
				8	$\varnothing 30 \times \varnothing 10.5 \times 2.5$ 10 (DIN 9021)	x6
3		x1		9	$\varnothing 8.4$	x2
				10	$\varnothing 18 \times \varnothing 6.4 \times 1.6$ 6 (DIN 9021)	x2
4		x1		11	$\varnothing 10.2$	x4
				12	$\varnothing 6.1$	x2
				13	M10	x2
				14	M8	x1
				15	M6	x2

