

AUTO-HAK

AUTO-HAK Sp. z o.o.
ul. Słoneczna 16K 76-200 SŁUPSK
POLAND


tel/fax +48 59 8 414 414; +48 59 8 414 413
e-mail: office@autohak.com.pl
www.autohak.com.pl



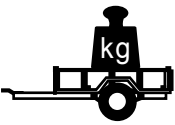
RENAULT
Symbioz


Nr kat.
G107

 2024 →

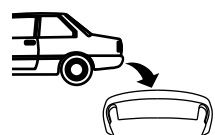
 E20*55R02*6970

D 6,5 kN


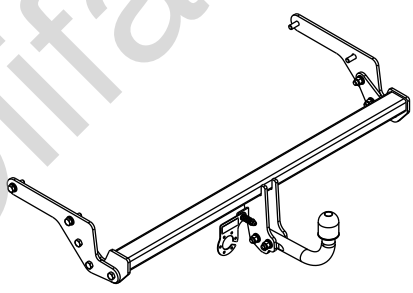
 R=1000 kg

 S=100 kg

 1h





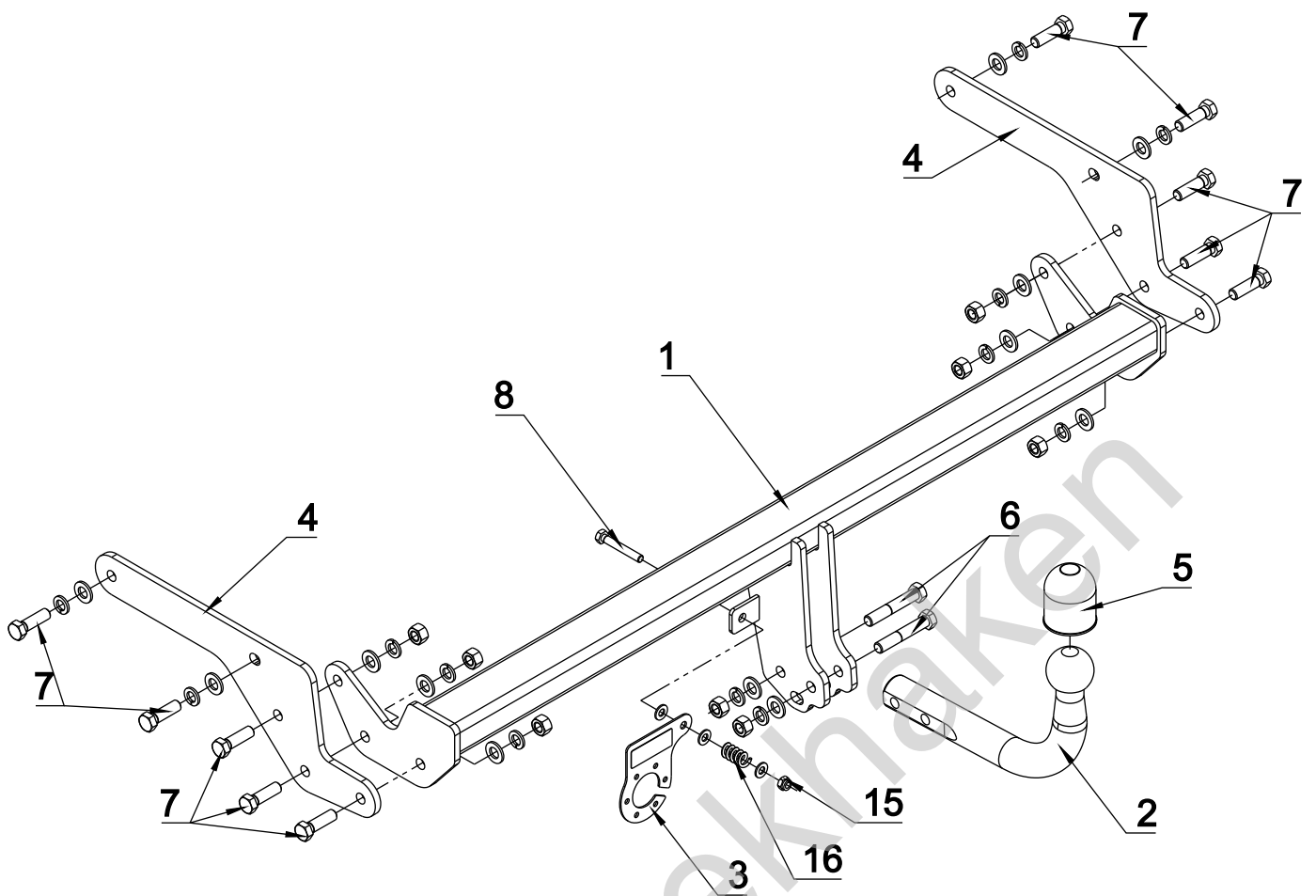


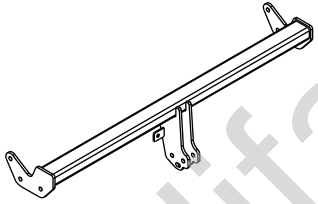

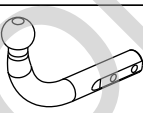



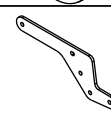


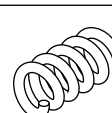


FULL VERSION INSTRUCTION

śruba	Nm	M6	M8	M10	M12	M14	M16
klasa 8.8		9,9	24	48	83	132	200
klasa 10.9		14	34	67	117	185	285

 0 km →  1000 km



	x 1		6 M12x70	x 2
			7 M12x40	x 10
			8 M8x50	x 1
			9 \varnothing 13	x 12
	x 1 Art.nr-KL1G107		10 \varnothing 8.4	x 3
			11 \varnothing 12.2	x 12
	x 1 Art.nr-BL1G107		12	
			13 M12	x 8
	x 2		14	
			15 M 8 (DIN985)	x 1
	x 1		16	x 1

