



TREKHAKEN • ATTELAGES • ANHÄNGERVORRICHTUNGEN • TOWBARS • ENHANCES • ANHÆNGERTRÆK

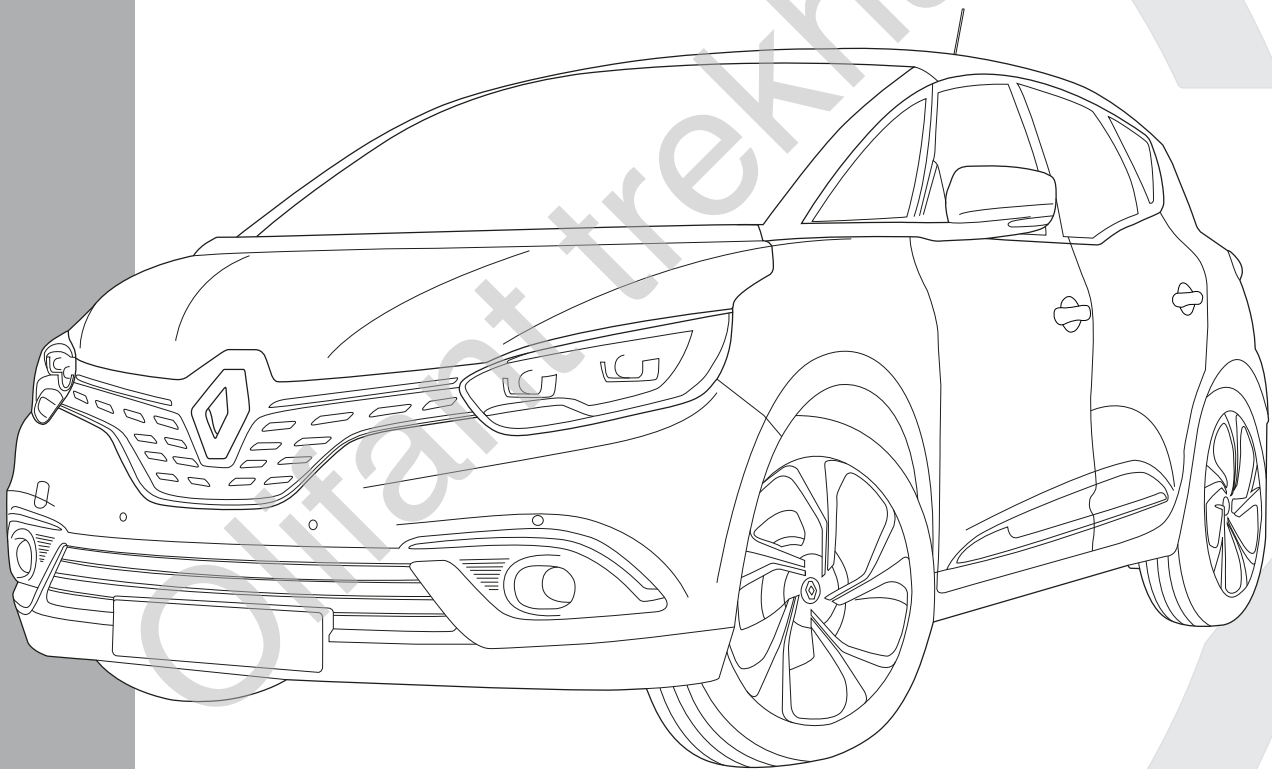
Montagehandleiding | instructions de montage | Einbauanleitung | Mounting instruction  
Instrucciones de montaje | monteringsvejledning




# Renault Scénic IV

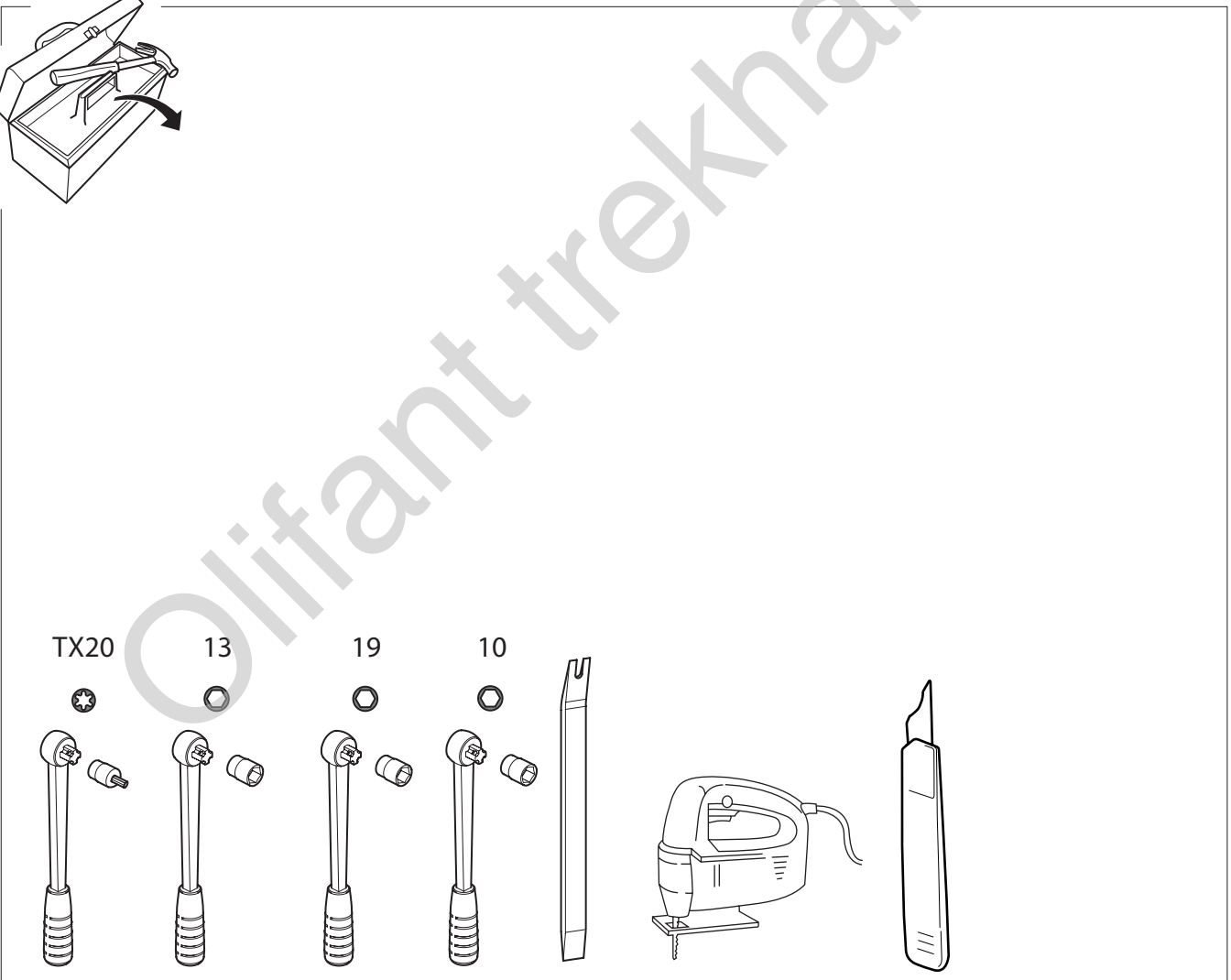
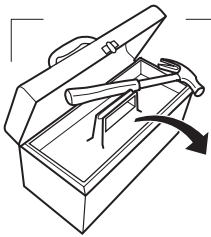
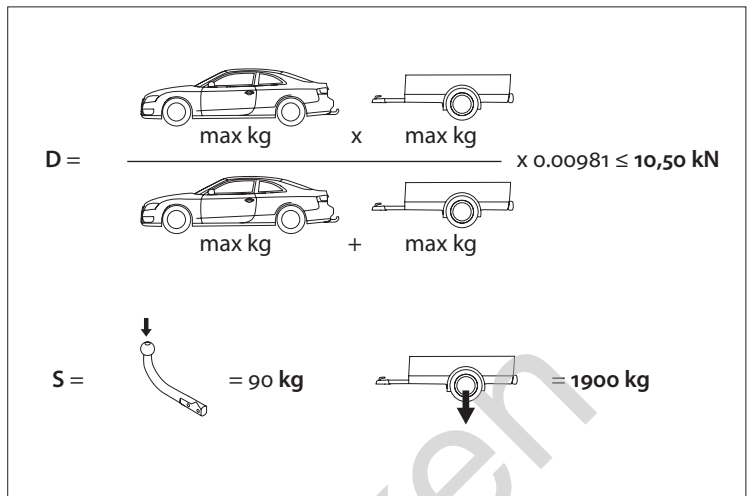
09/'16-

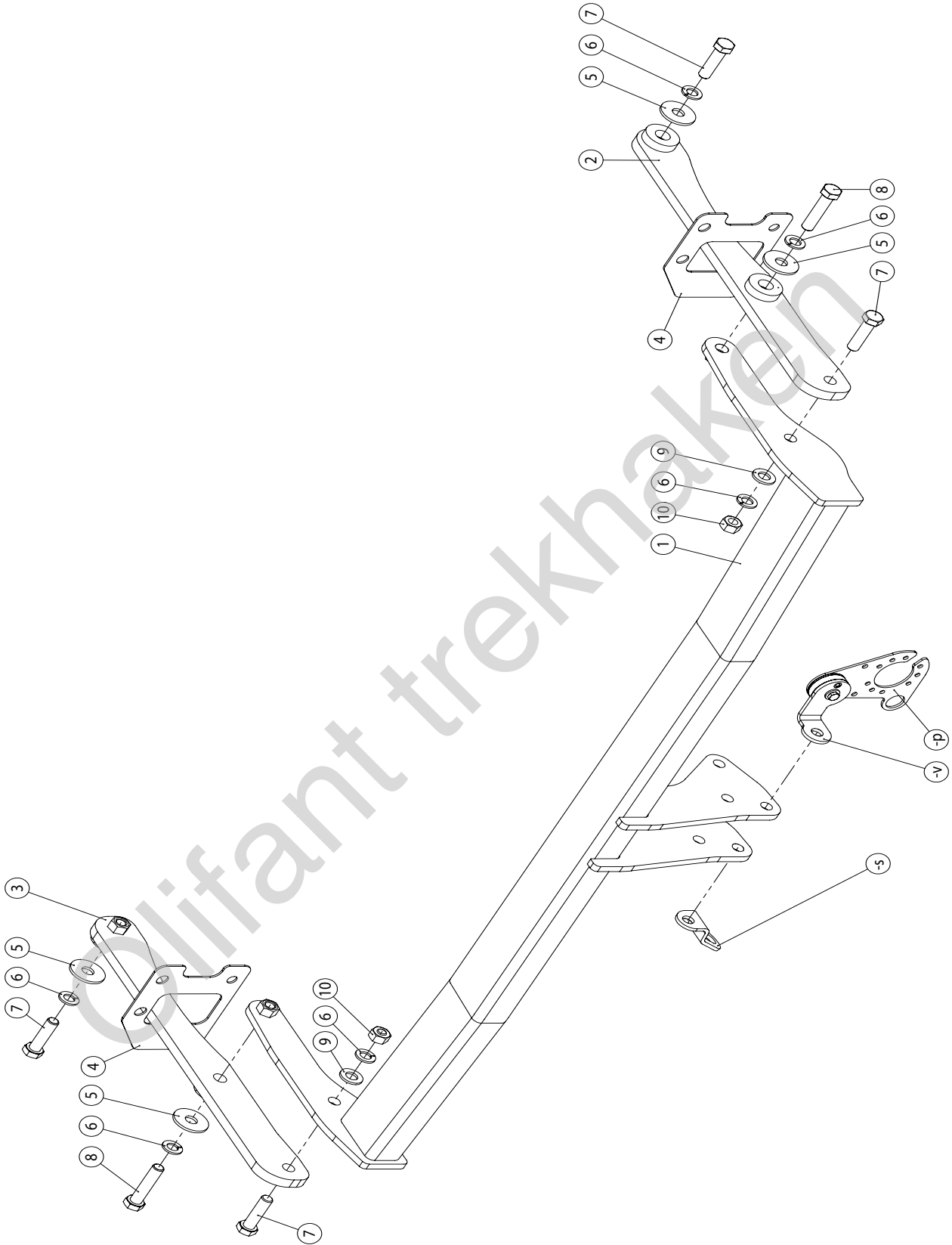
- STANDARD
- HYBRID ASSIST
- AD BLUE

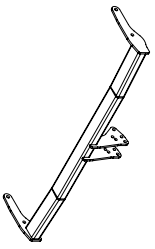
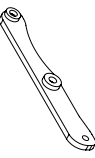
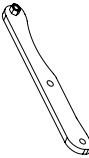

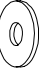





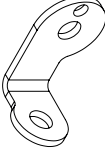



See the Certificate Of Conformity (COC) of your vehicle or contact your dealer to verify the max. trailer weight of your car!

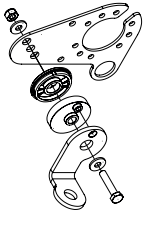




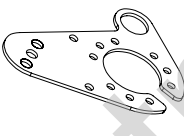


MADE BY	<b>D 10,50</b>	<b>F</b>	<b>E6</b>
		EC APPROVAL N°	
BELGIUM	<b>S 90</b>	<b>55R-011364</b>	
REF N°	SERIE N°		
<b>2197T60</b>			
OMSCHRIJVING			
Renault Scénic IV 09/'16-			








1		X1	GDW REF. 2197T60				
2		X1	GDW REF. 2				
3		X1	GDW REF. 3				
4		X1	GDW REF. 4				
5		X4	DIN9021-M12-ELVZ				
6		X6	DIN128A-M12				
7		X4	DIN931-M12X45				
8		X2	DIN931-M12X55				
9		X2	DIN125-A12-14OHV-ELVZ				
10		X2	DIN934-M12				
-V		X1	GDW REF.908.097				
-S		X1	GDW REF. 900.053				

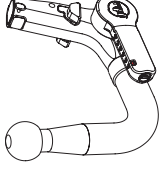

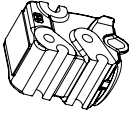


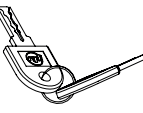






-P		X1	GDW REF. P41				
↑		X1	DIN985-M6				
↑		X2	6,2 X 15,4 X 1,6 (NYLON)				
↑		X1	GDW REF. 718.16.002				
↑		X1	GDW REF. 718.16.003				
↑		X1	GDW REF. 908.094				
↑		X1	DIN933-M6 X 30				
↑		X1	GDW REF. 908.097				

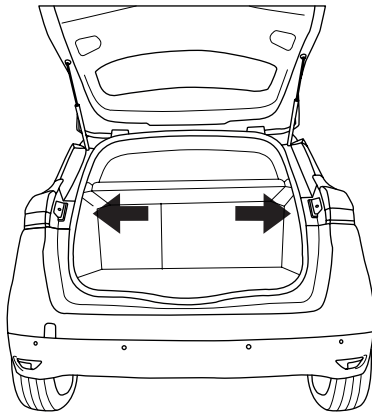
**STEP 18 :**

11		X1	DIN933-M8X45				
12		X1	DIN128A-M8				
13		X1	DIN9021-M8-ELVZ				

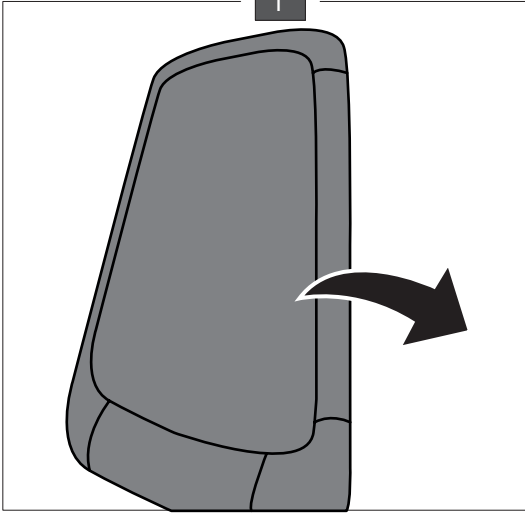
  

Geleverd met - Livré avec - Delivered with Geliefert mit - Elementos adjuntos-Leveres med		X1		GDW REF. 960.V0810
	↑	X1		GDW REF. 740.200
	↑	X1		GDW REF. 912.003
	↑	X1		GDW REF. 740.112
	↑	X1		GDW REF. 740.111
	↑	X1		GDW REF. 740.114
		X1		GDW REF. 718.15.001
		X1		GDW REF. SYS.T60-10
	↑	X3		DIN931-M12X110-8.8
	↑	X3		DIN128A-M12
	↑	X6		DIN125A-M12
	↑	X3		DIN934-M12

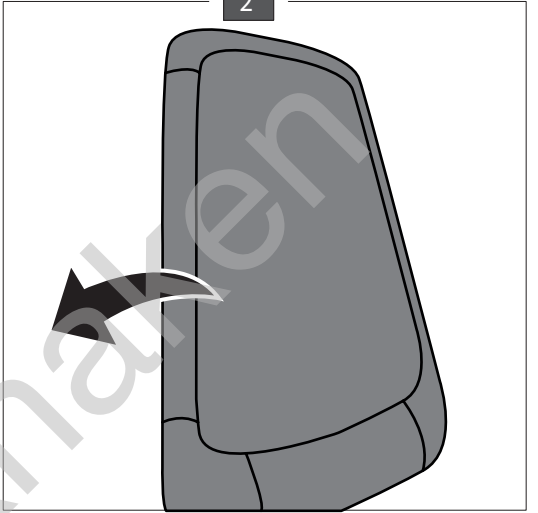
1



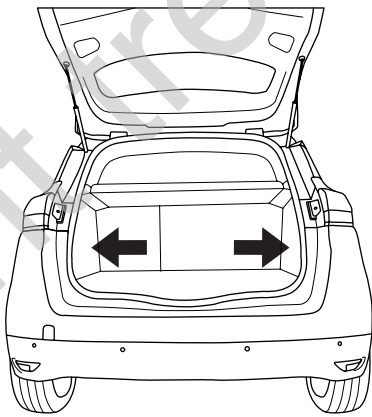
1



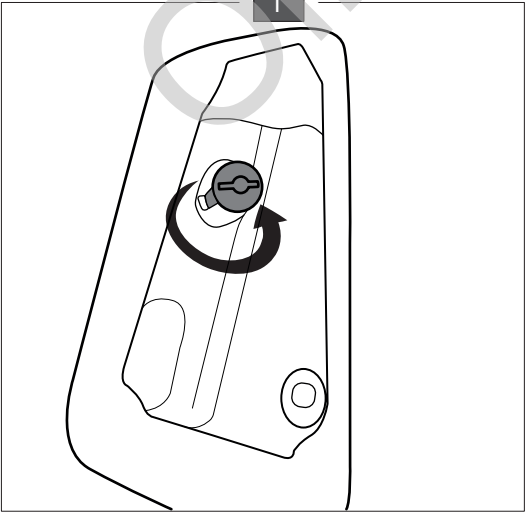
2



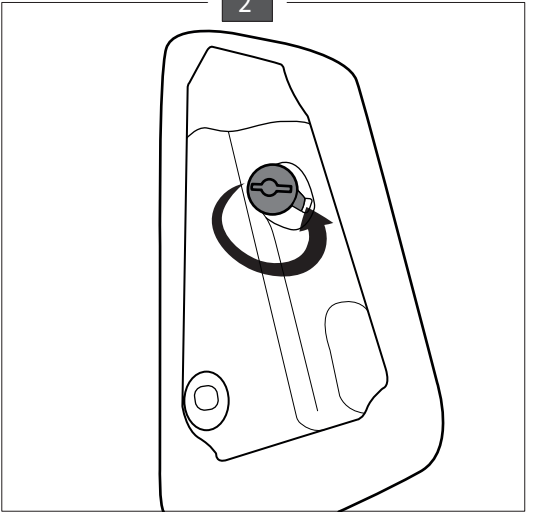
2



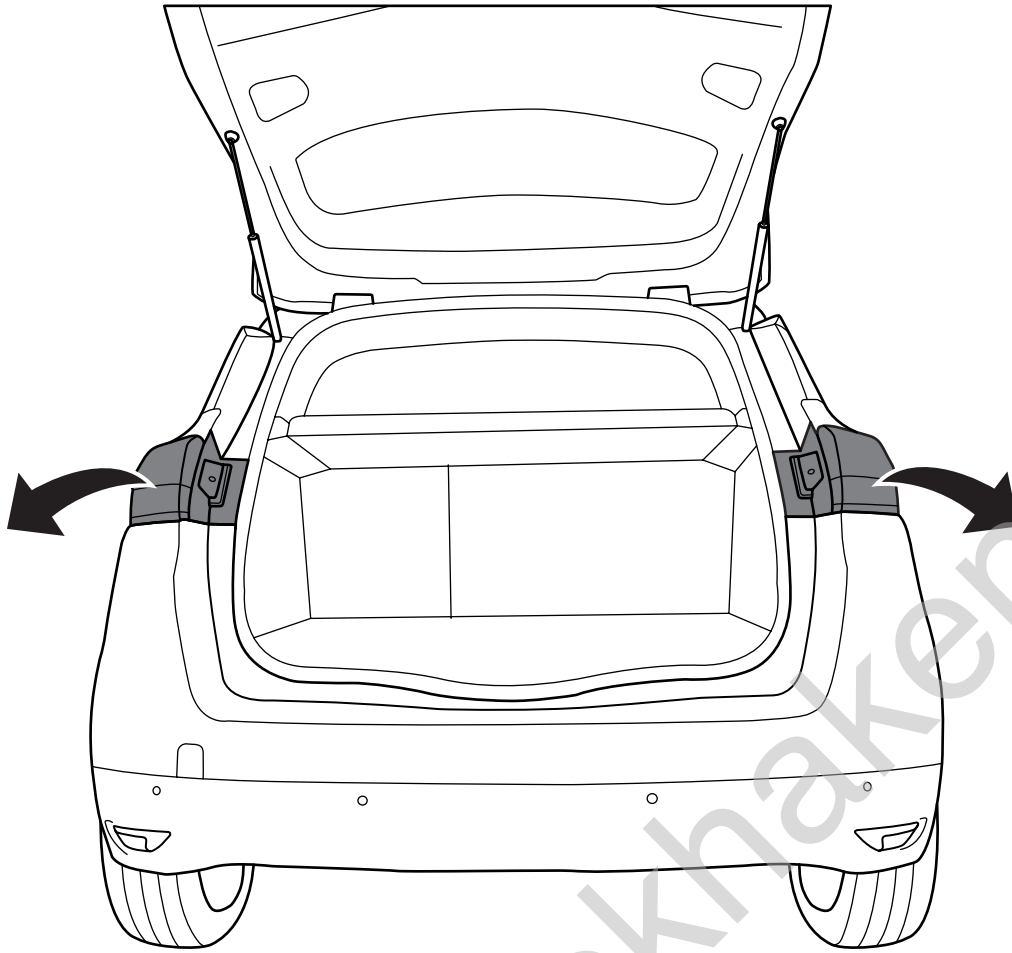
1



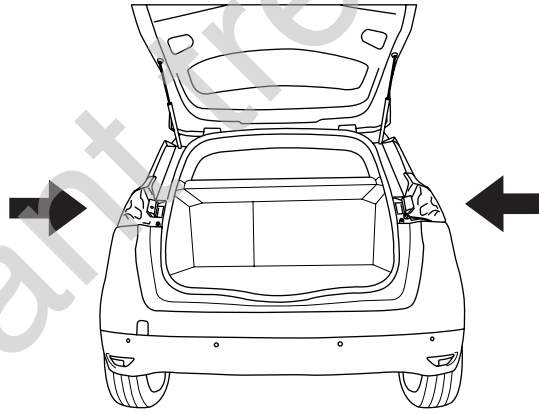
2



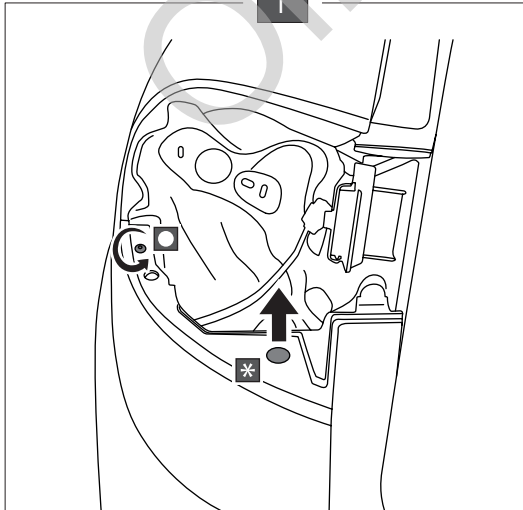
3



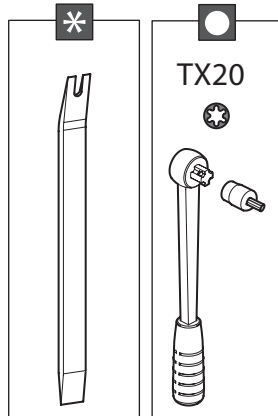
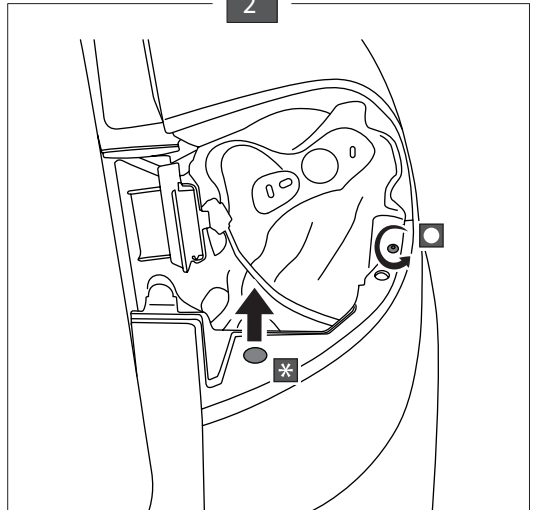
4



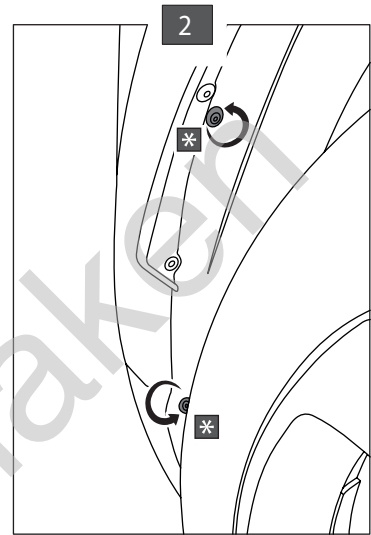
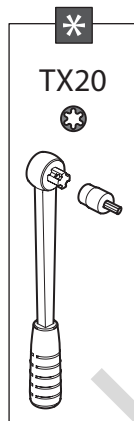
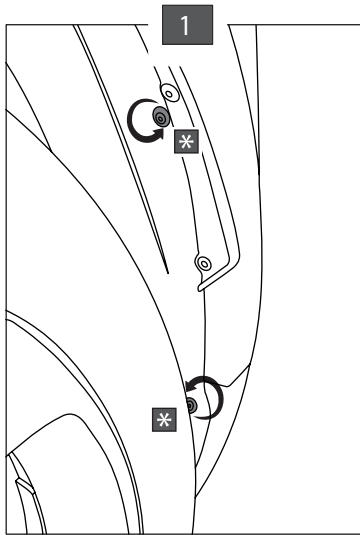
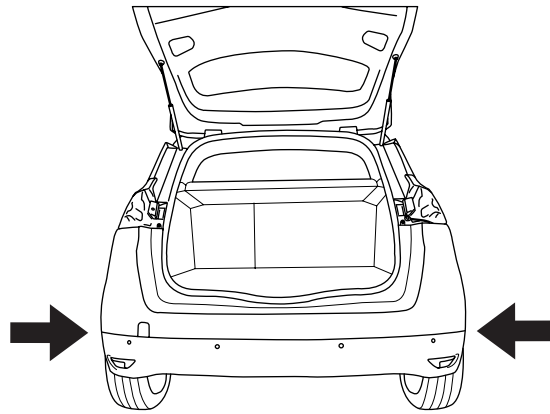
1



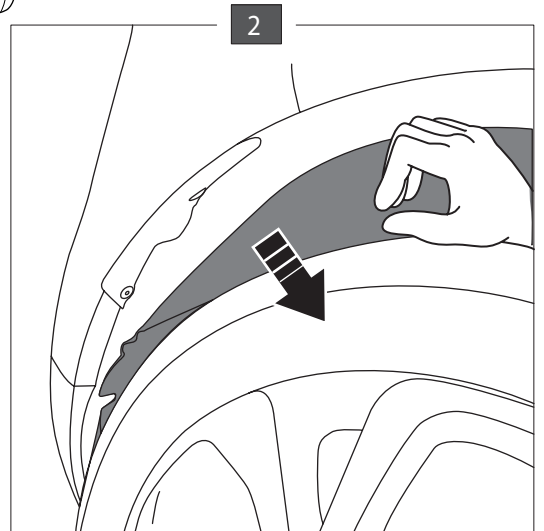
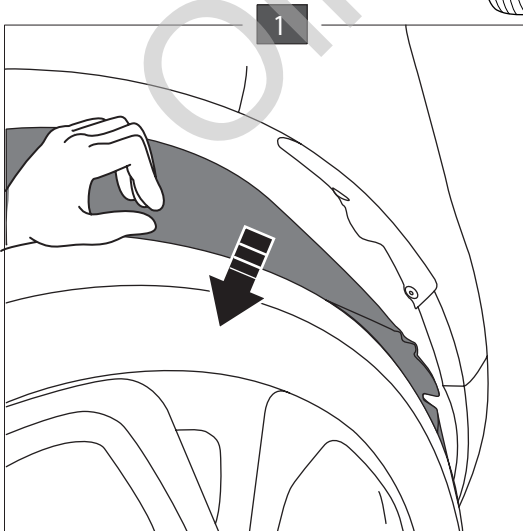
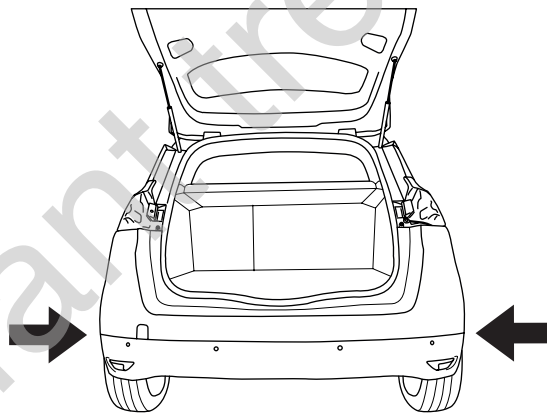
2



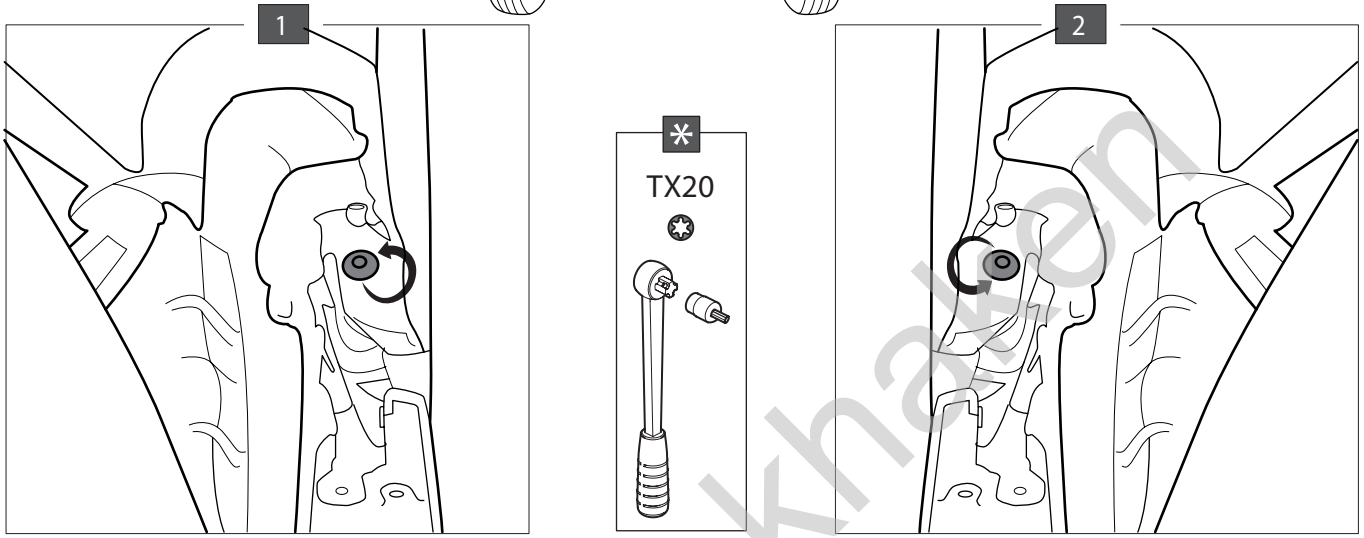
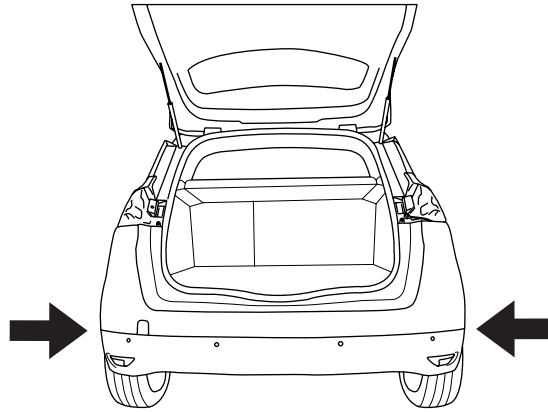
5



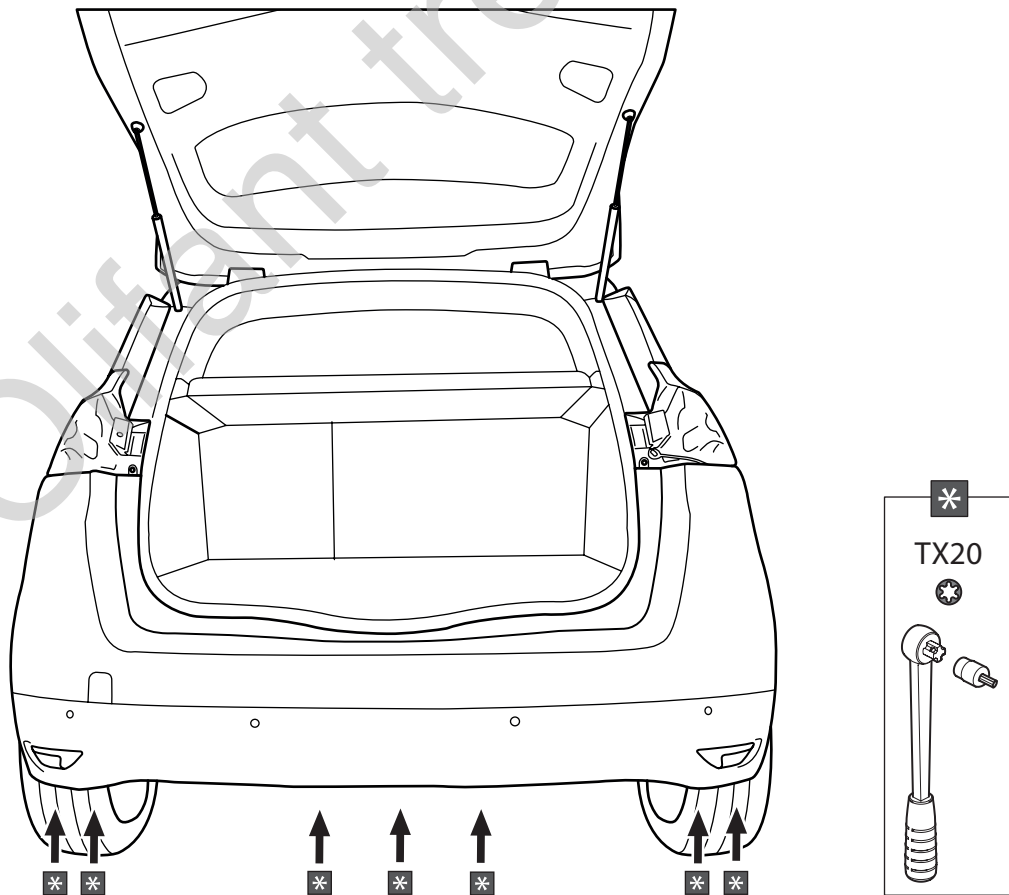
6



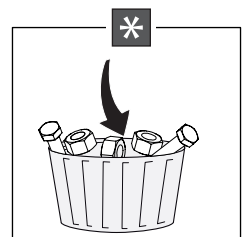
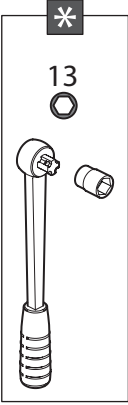
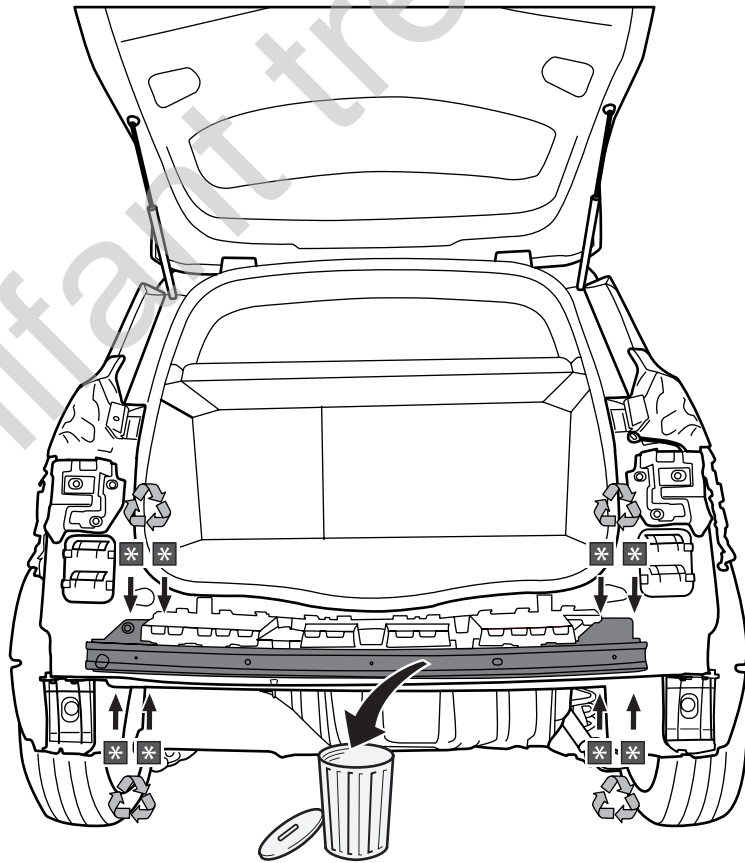
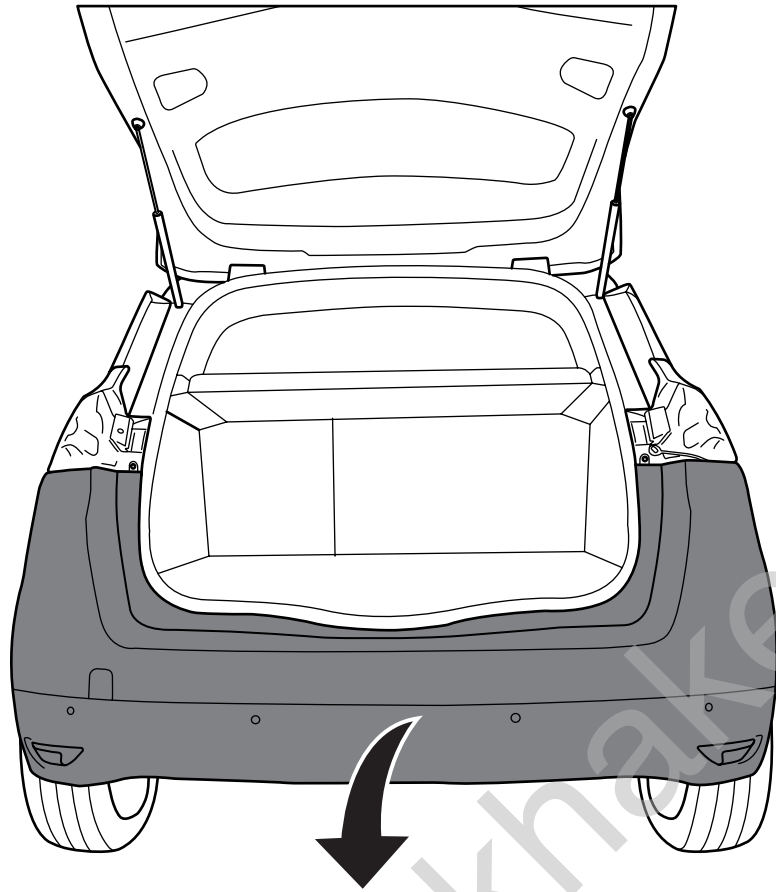
7



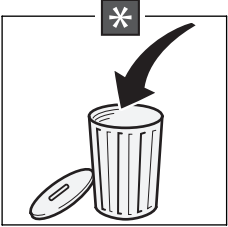
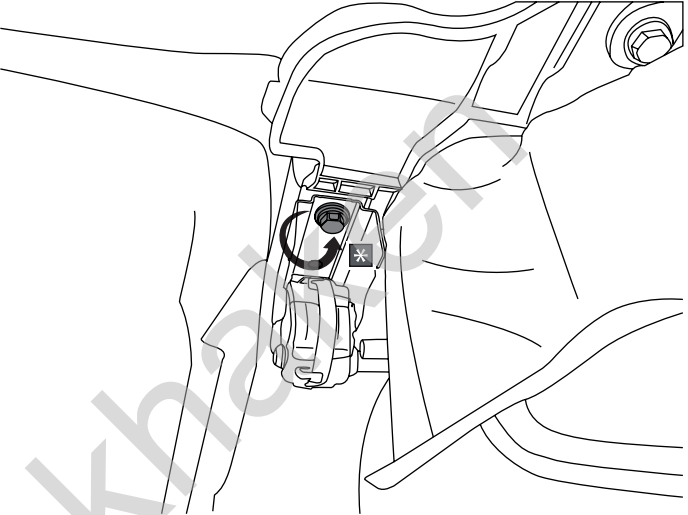
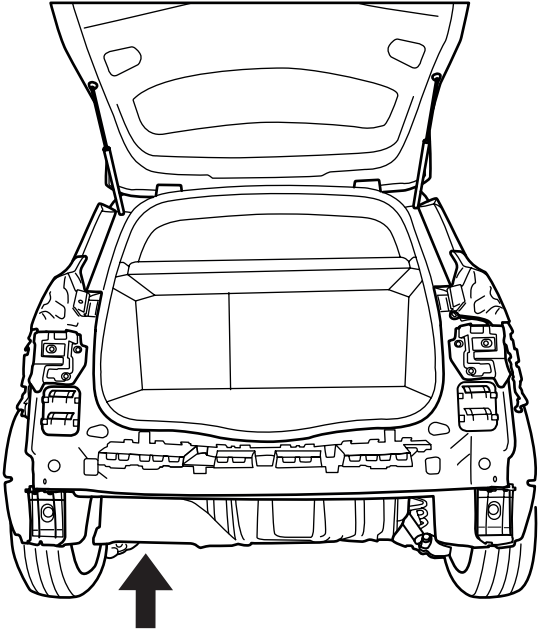
8



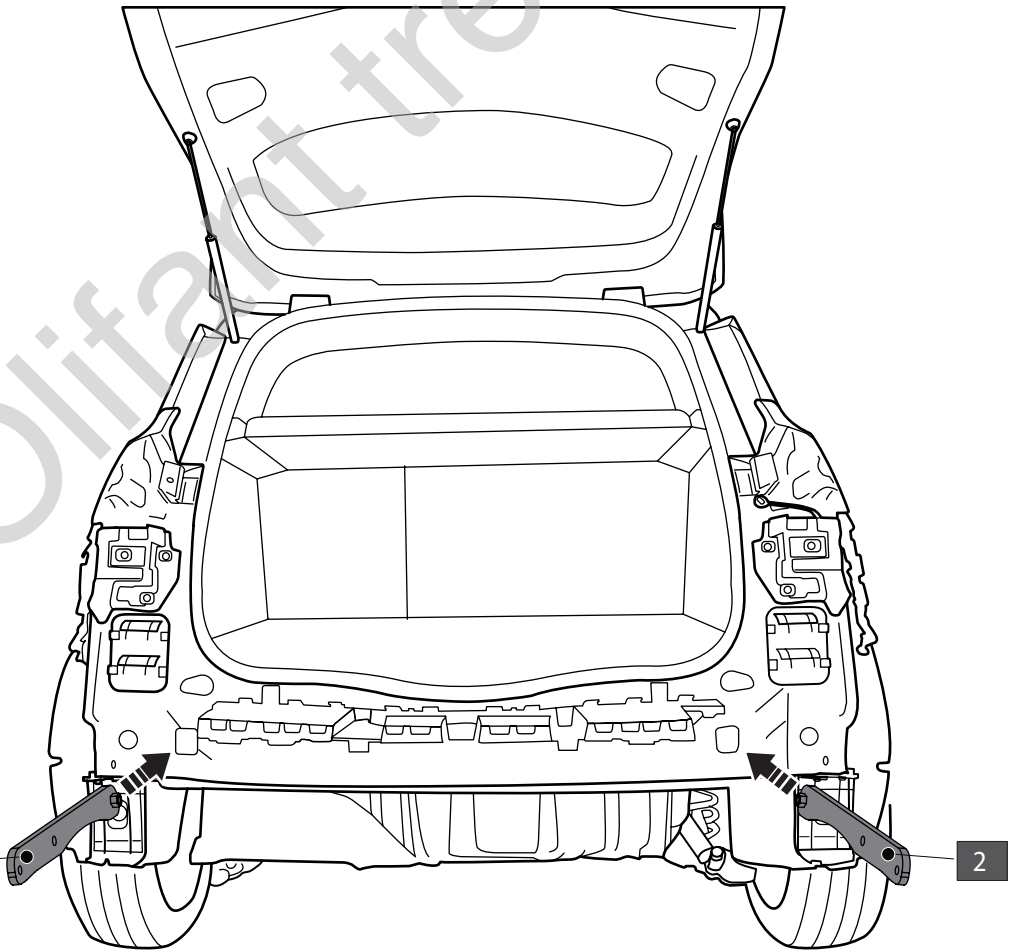


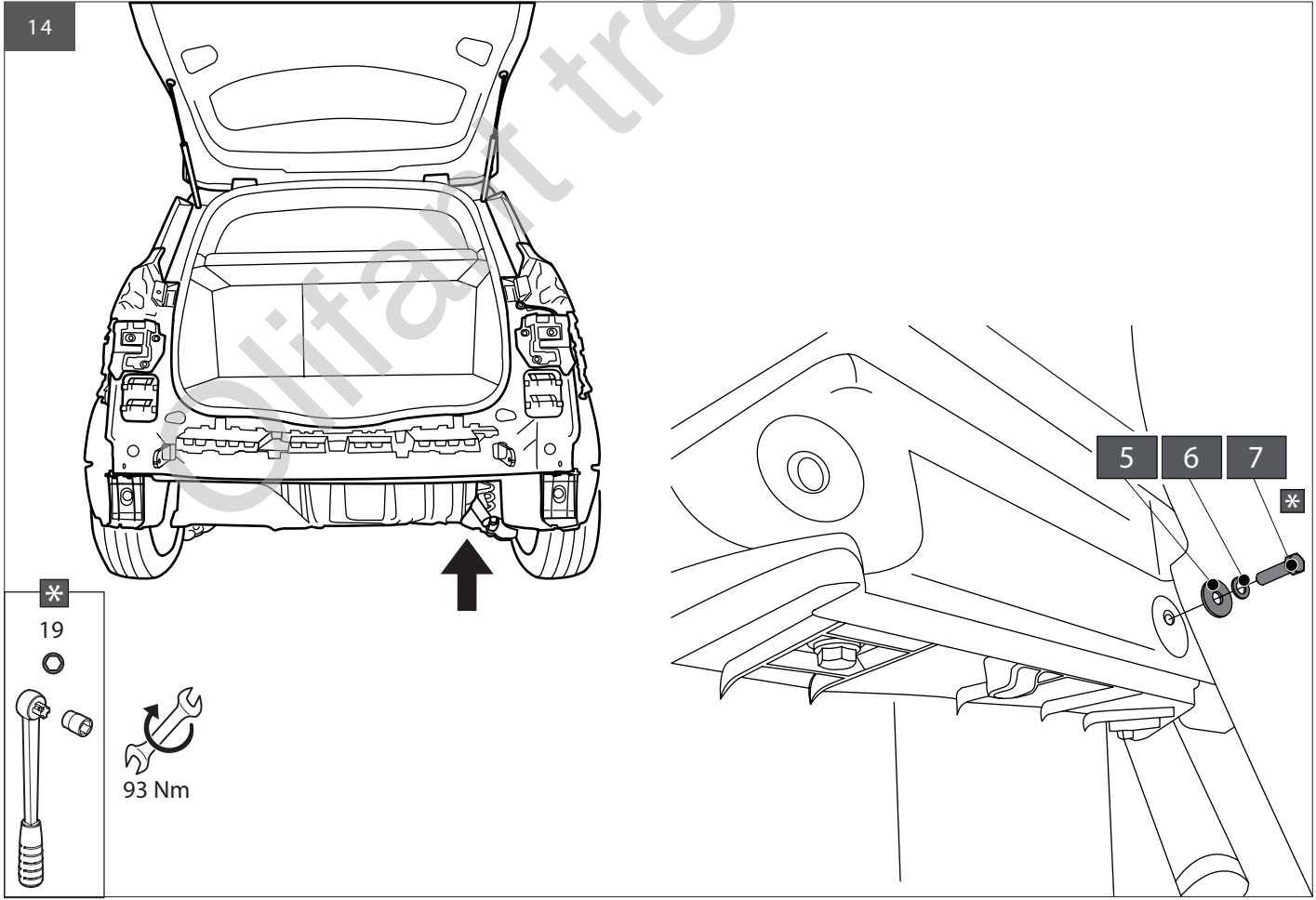
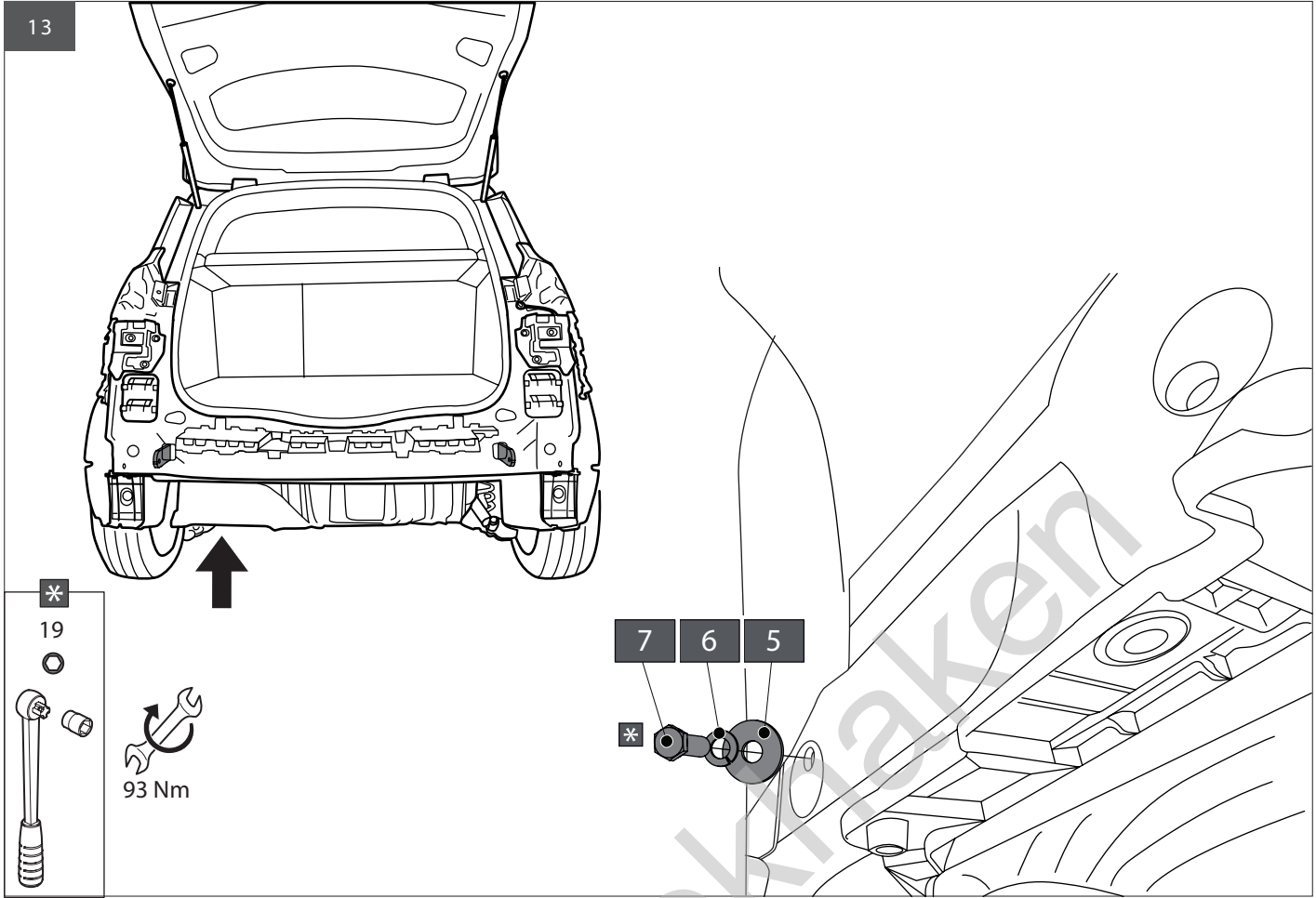


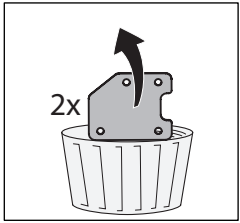
11



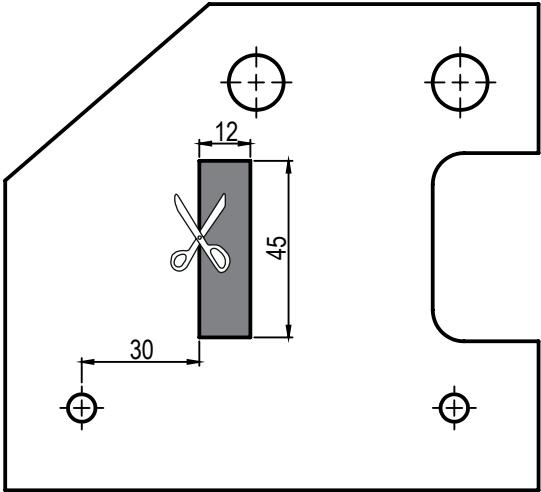
12



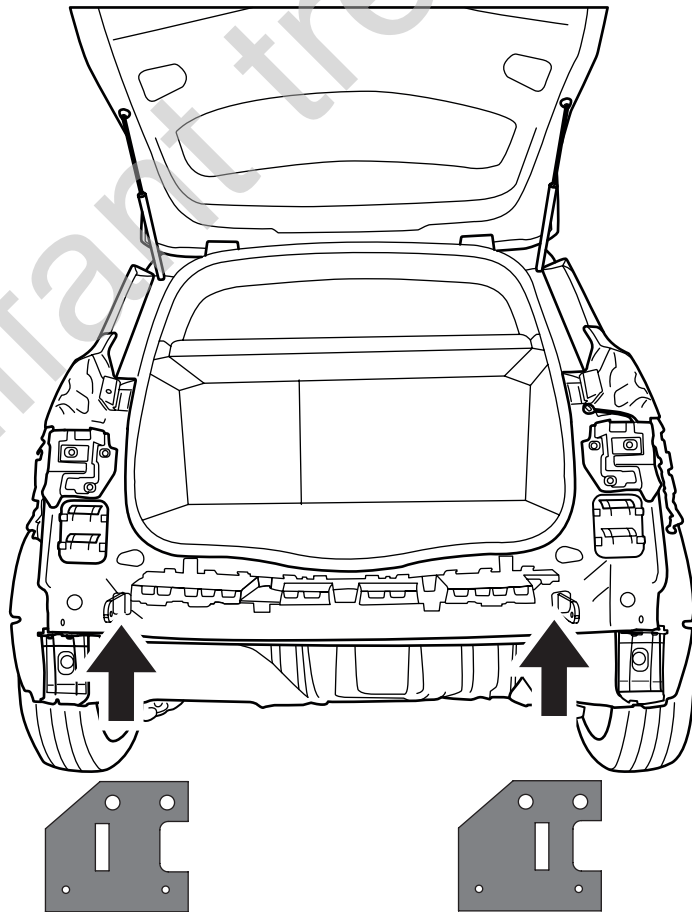
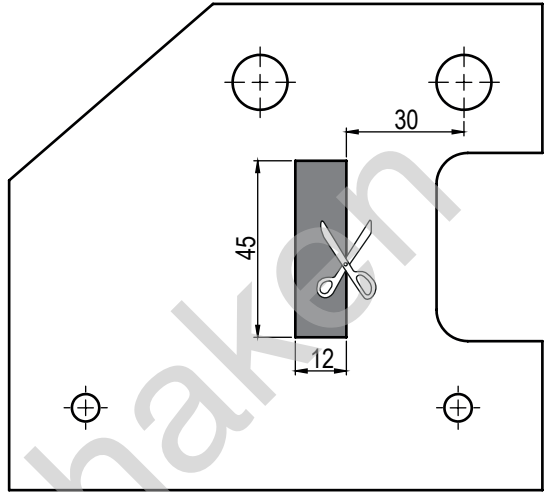


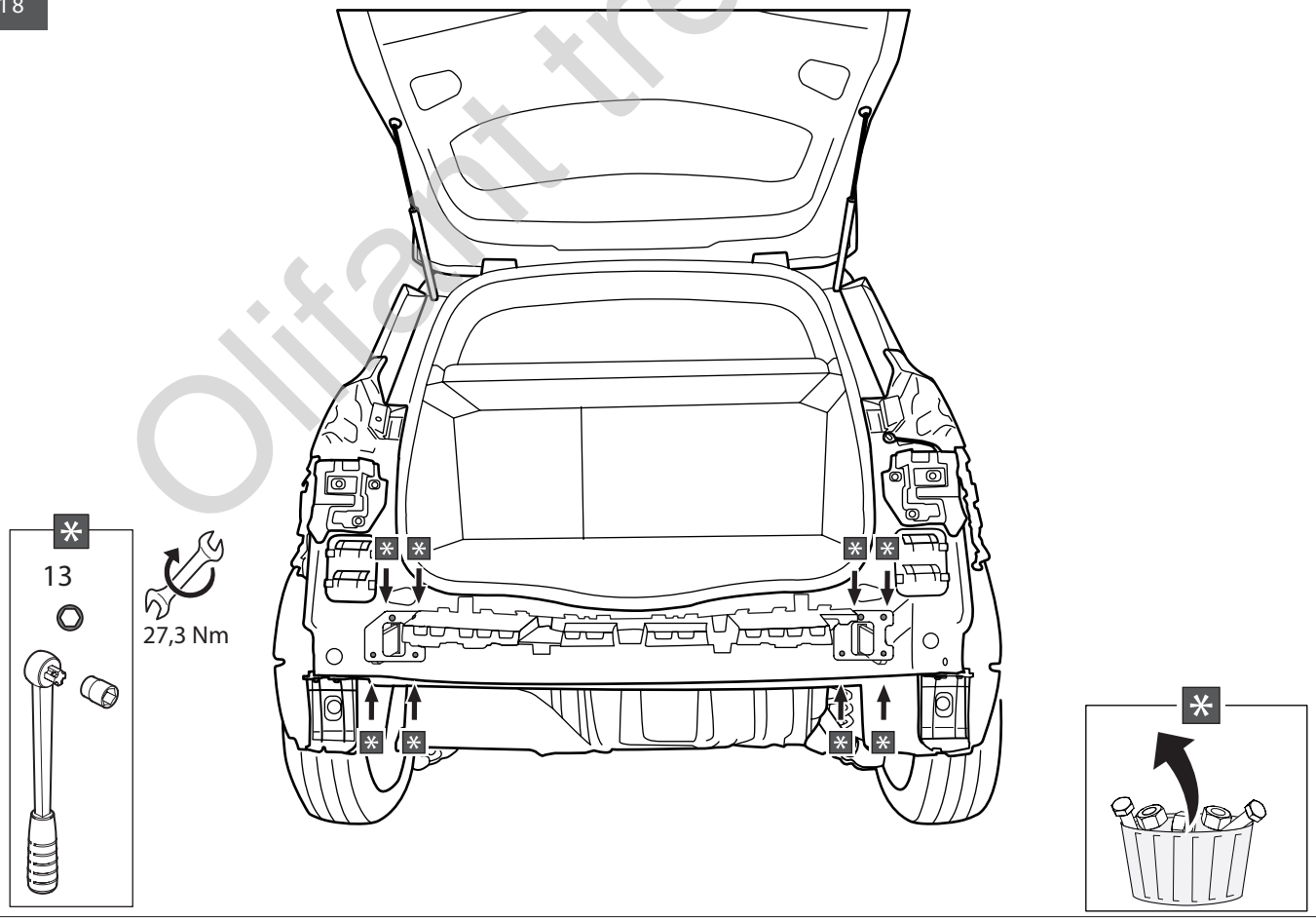
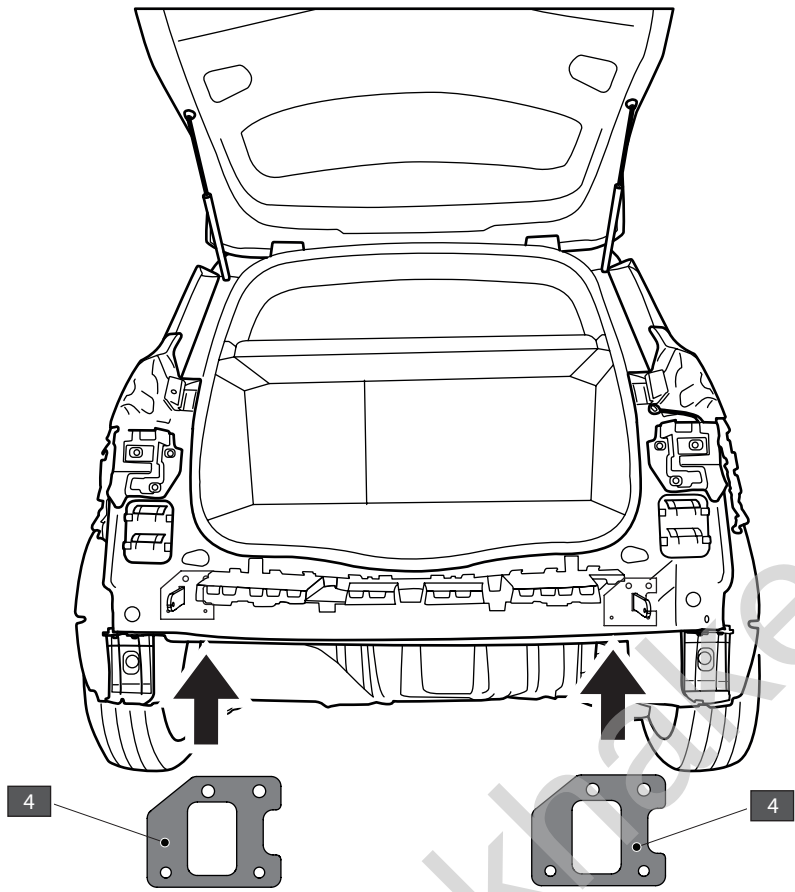


L

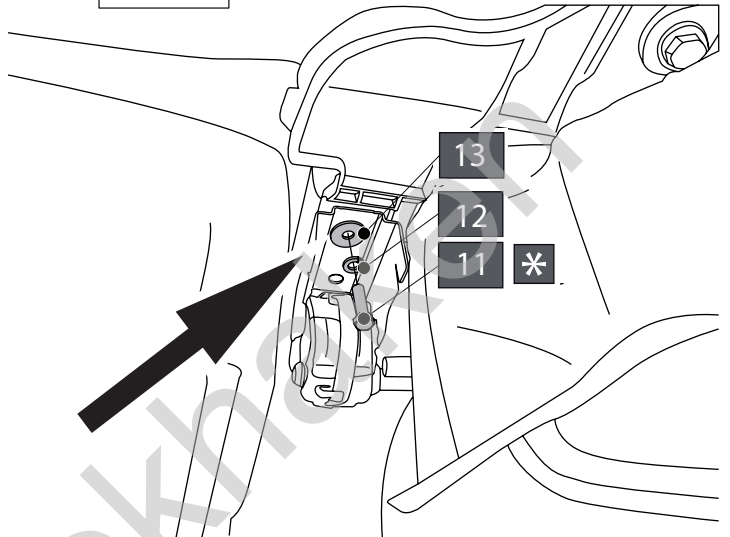
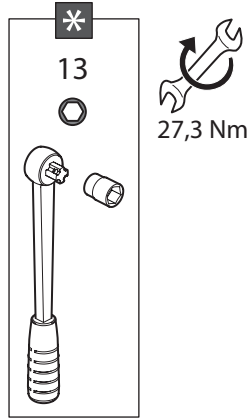
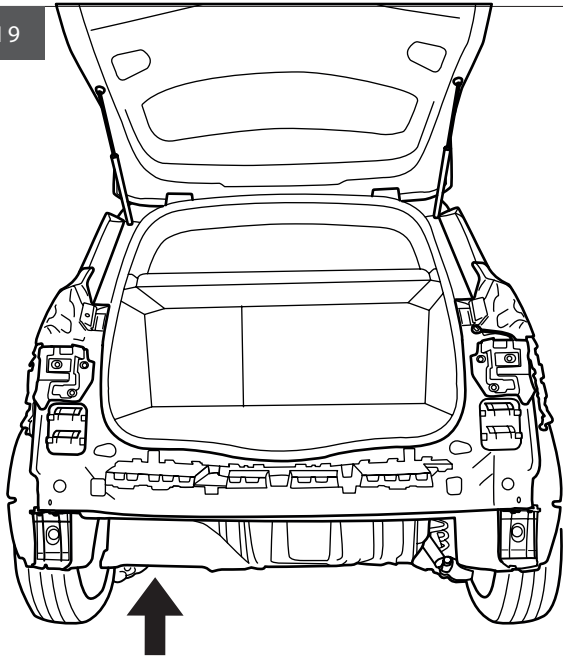


R

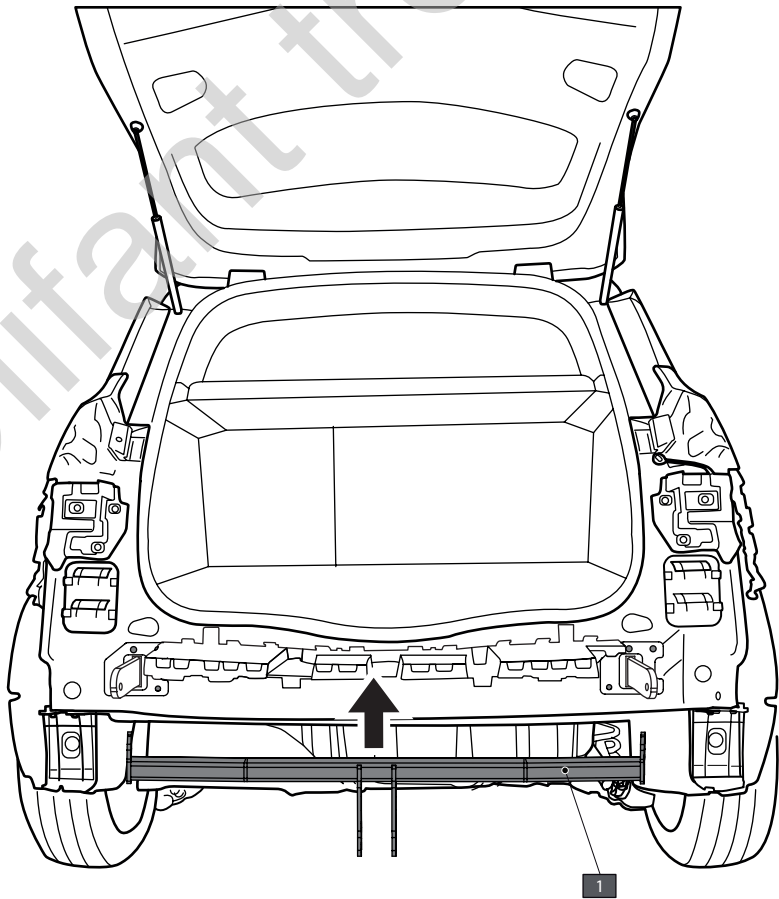


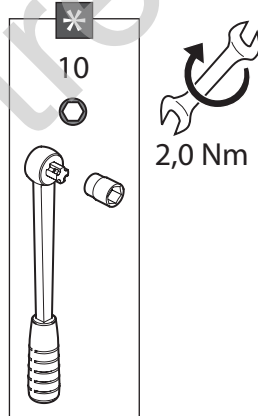
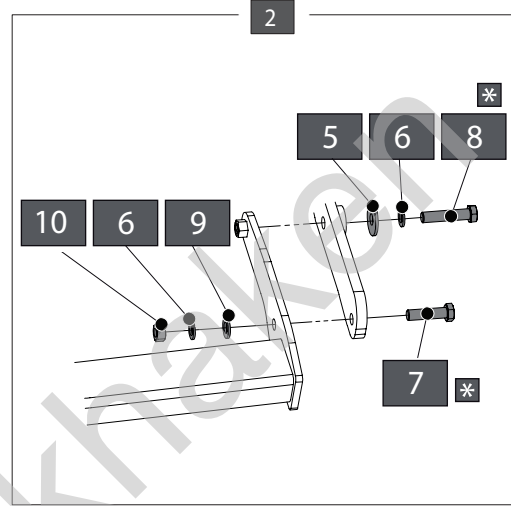
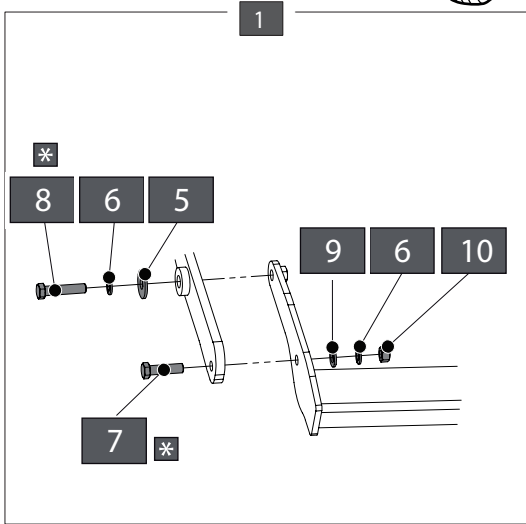
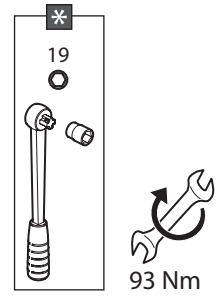
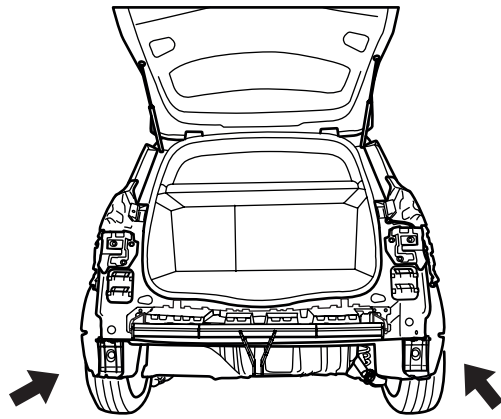


19

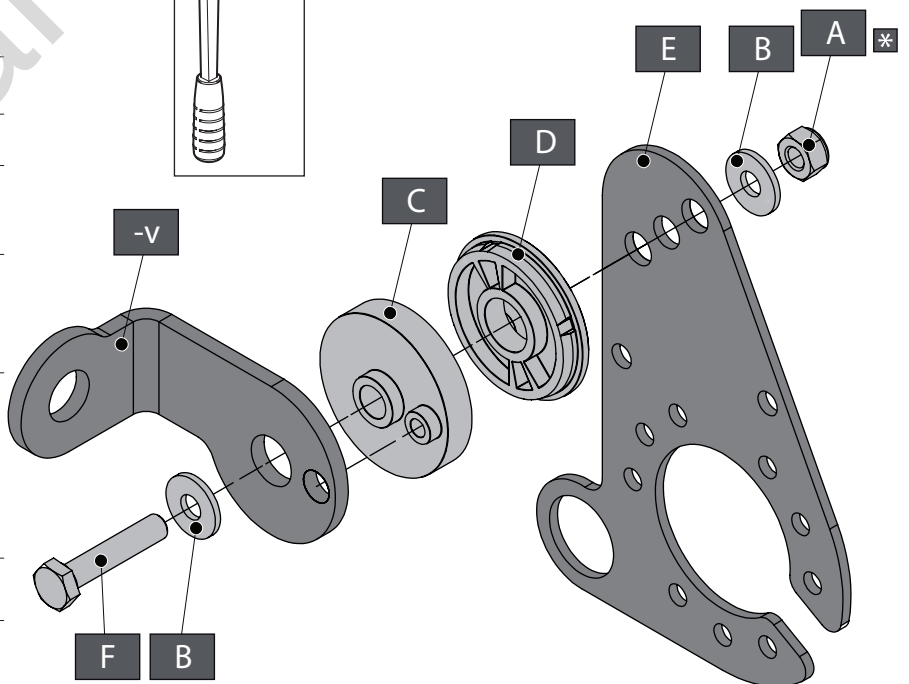


20

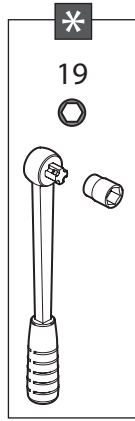
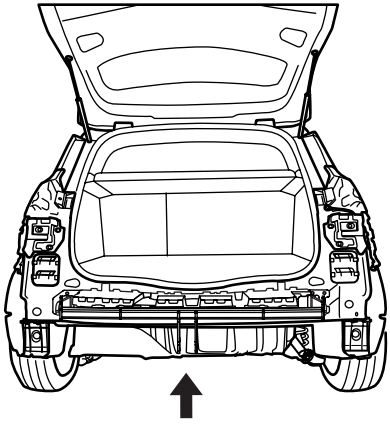




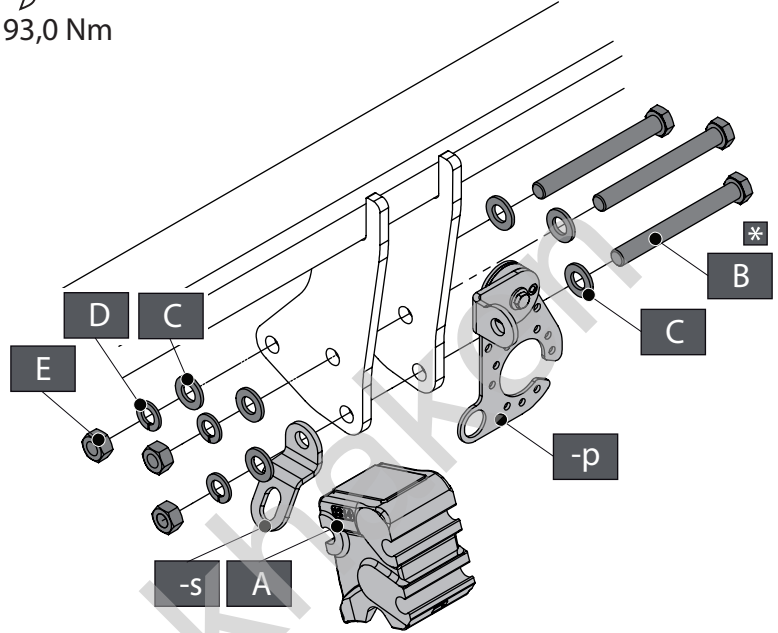
A		X1	DIN985-M6
B		X2	6,2 X 15,4 X 1,6 (NYLON)
C		X1	GDW REF. 718.16.002
D		X1	GDW REF. 718.16.003
E		X1	GDW REF. 908.094
F		X1	DIN933-M6 X 30
-V		X1	GDW REF. 908.097




23

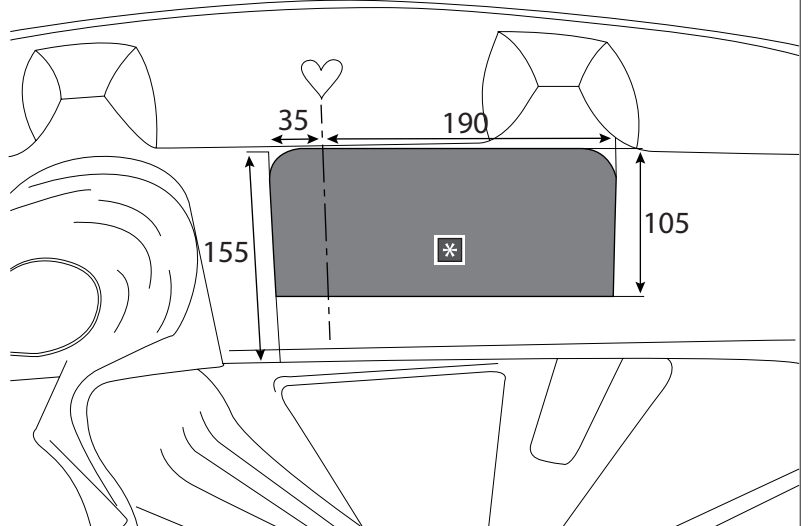
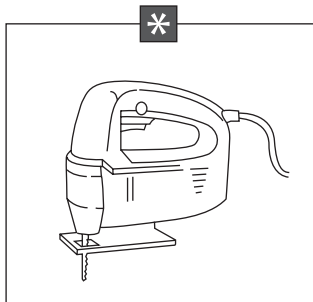
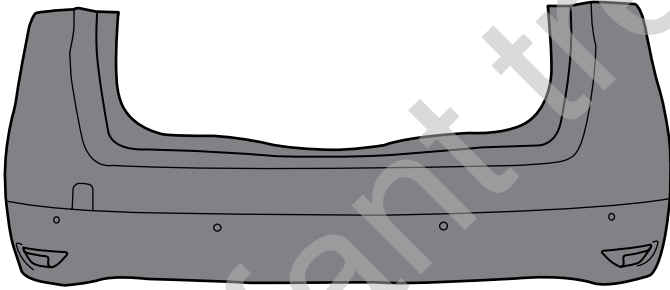


93,0 Nm

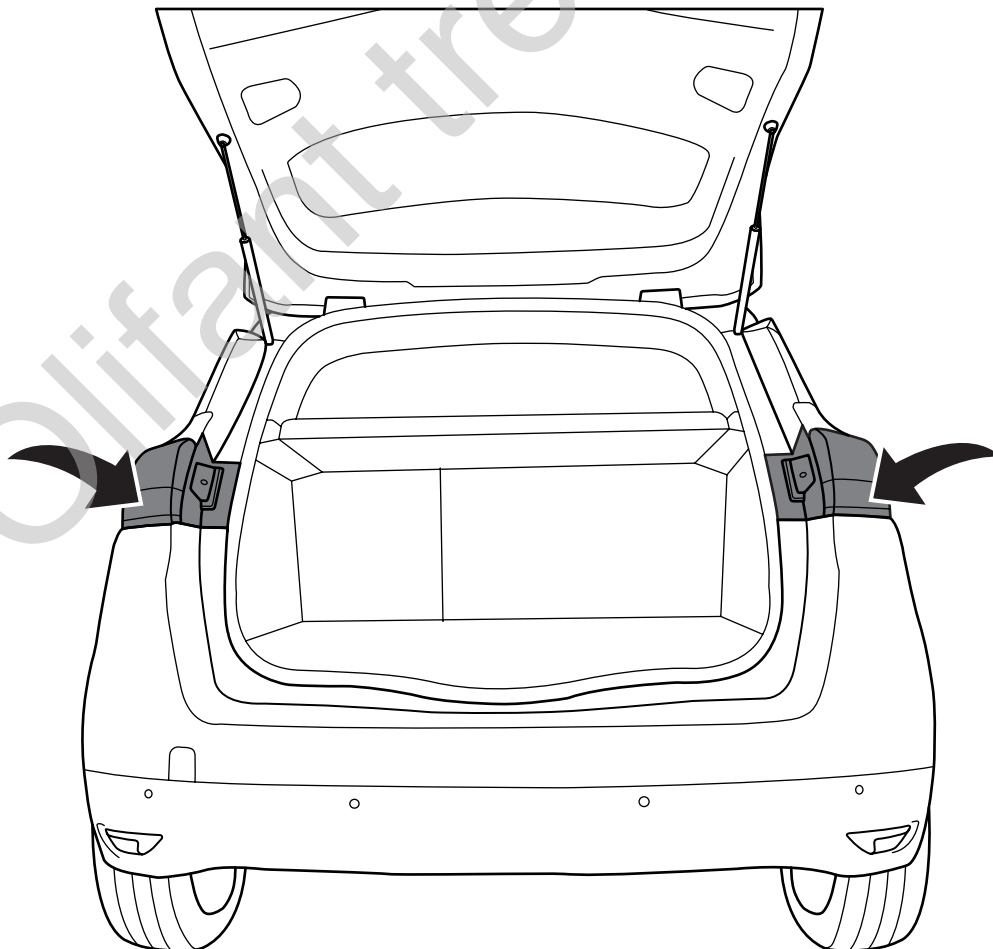
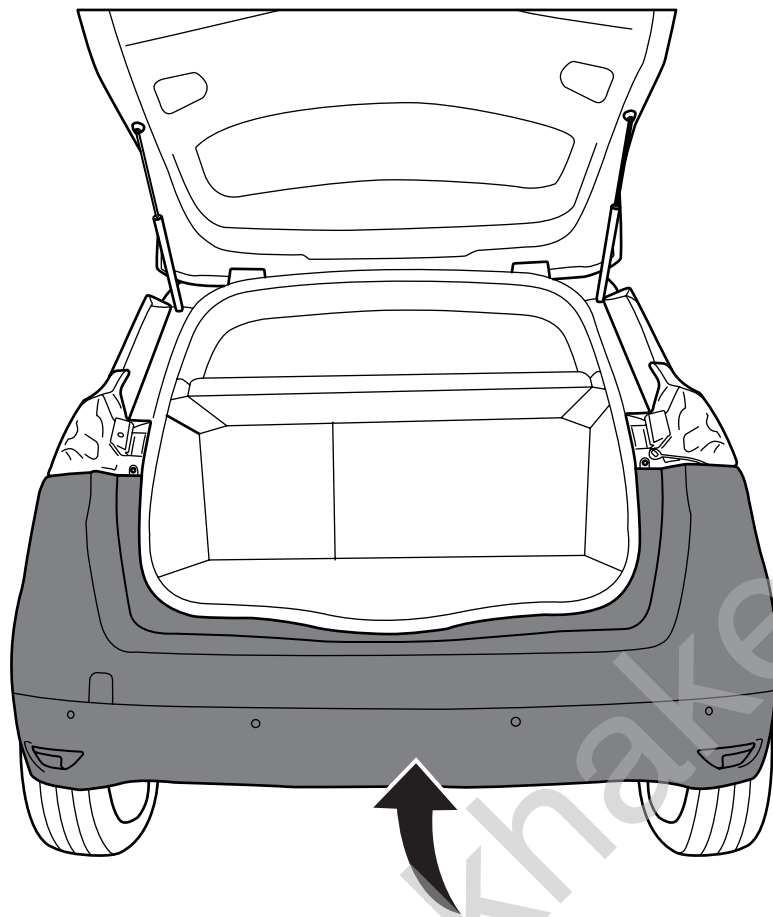


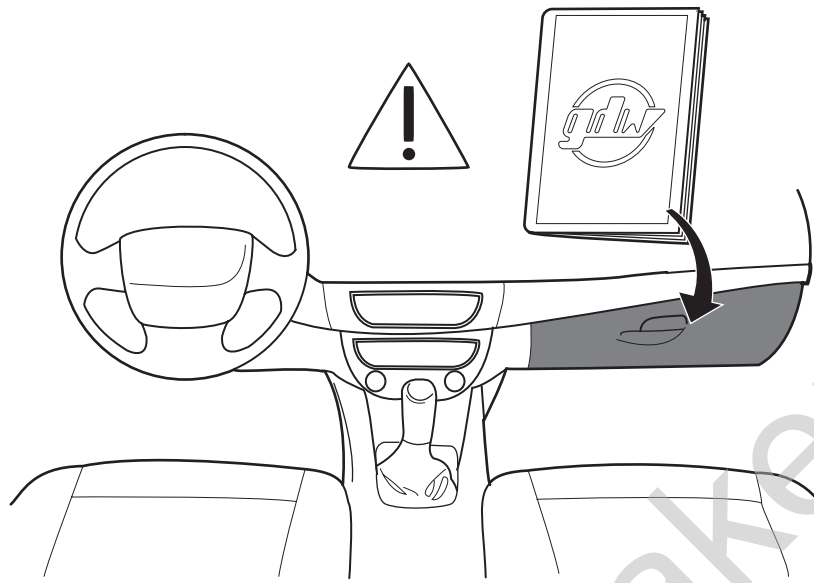
- A  X1 912.003
- B  X3 DIN931-M12X110
- C  X6 DIN125A-M12
- D  X3 DIN128A-M12
- E  X3 DIN934-M12

24









Olifant trekhaken